

Please keep these instructions safe.  
Should you move house, please hand  
them over to the next occupier.

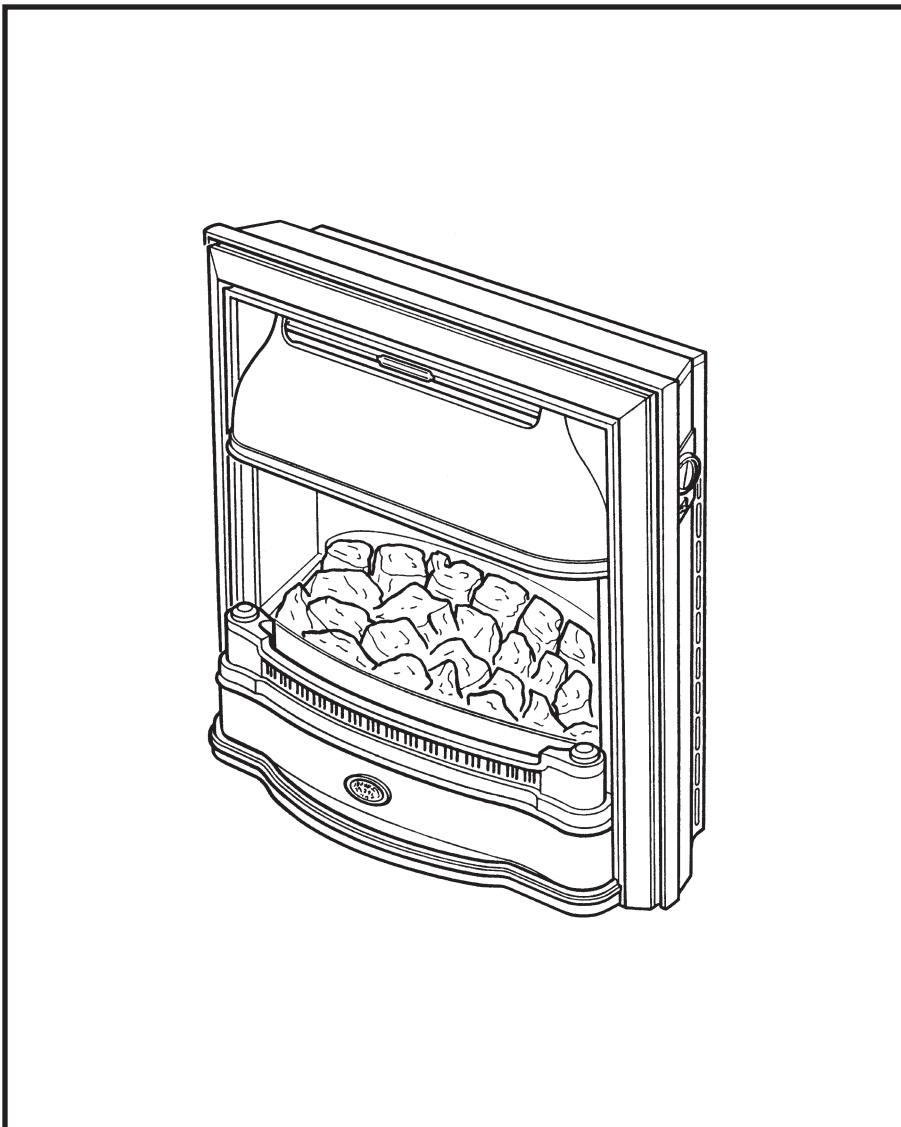
# Baxi Bermuda RG3

Fireside Gas Central Heating Unit

Natural Gas & Renewal

---

## User's Operating Instructions



**BAXI**

## Natural Gas

---

### **Baxi Bermuda RG3**

G.C.No 37 077 64

For use with the following boilers:

#### **Bermuda 45/4 M**

G.C.No 44 077 71

#### **Bermuda 45/4 E**

G.C.No 44 077 73

#### **Bermuda 57/4 M**

G.C.No 44 077 72

#### **Bermuda 57/4 E**

G.C.No 44 077 74

## Renewal

---

### **Baxi Bermuda RG3 Renewal**

G.C. No 37 075 06A

For use with the following boilers:

#### **Bermuda 401**

G.C.No 44 077 49

#### **Bermuda 552**

G.C.No 44 077 50

#### **Bermuda 45/3 M**

G.C.No 44 077 61

#### **Bermuda 45/3 E**

G.C.No 44 077 60

#### **Bermuda 57/3 M**

G.C.No 44 077 63

#### **Bermuda 57/3 E**

G.C.No 44 077 62

#### **Bermuda 45/4 M**

G.C.No 44 077 71

#### **Bermuda 45/4 E**

G.C.No 44 077 73

#### **Bermuda 57/4 M**

G.C.No 44 077 72

#### **Bermuda 57/4 E**

G.C.No 44 077 74

Baxi UK Limited is one of the leading manufacturers of domestic heating products in the UK.

Our first priority is to give a high quality service to our customers. Quality is built into every Baxi product - products which fulfil the demands and needs of customers, offering choice, efficiency and reliability.

To keep ahead of changing trends, we have made a commitment to develop new ideas using the latest technology - with the aim of continuing to make the products that customers want to buy.

Baxi is also the largest manufacturing partnership in the country. Everyone who works at the company has a commitment to quality because, as shareholders, we know that satisfied customers mean continued success.

We hope you get a satisfactory service from Baxi. If not, please let us know.

For use in GB / IE only.



Baxi is a BS-EN ISO 9001  
Accredited Company

## Introduction

Your Baxi Bermuda RG3 is a central heating boiler combined with a gas fire. Normally the fire will heat the room in which it is situated and the boiler will provide heating for the rest of the house and also domestic hot water if required. The boiler and fire are independently controlled.

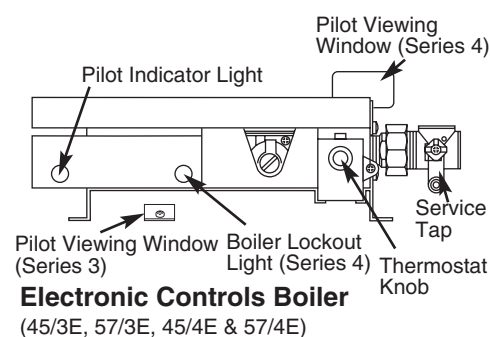
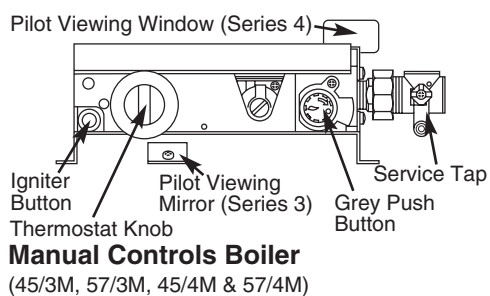
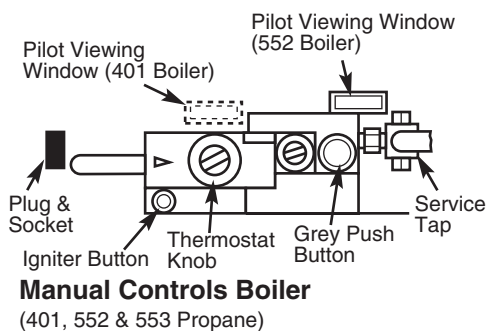
The boiler may be controlled by an external programmer or clock control (see separate instructions with the clock controller used). The fire is controlled by the knob which is located on the right hand side of the outer case.

### Important Notice

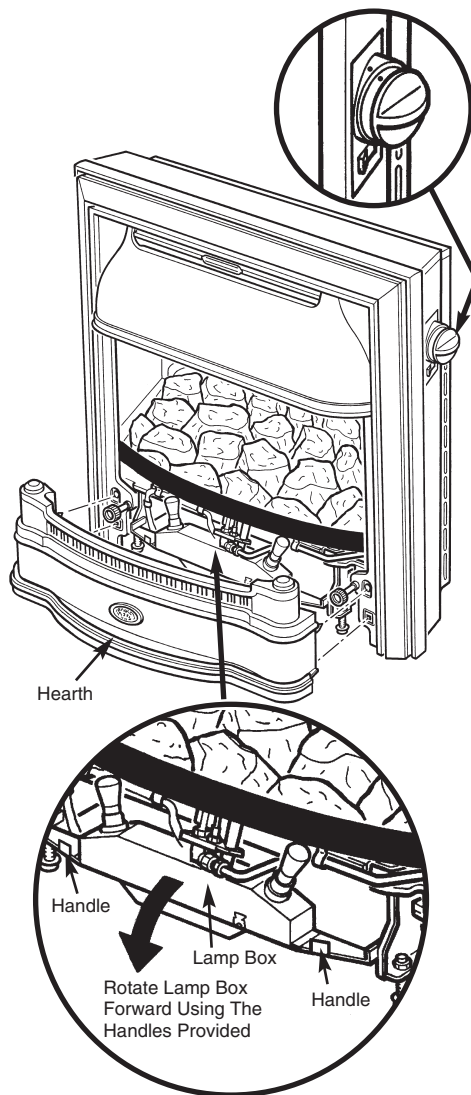
The Bermuda RG3 is for use on **NATURAL GAS ONLY**.

#### WARNING

The Bermuda RG3 Renewal Firefront **MUST NEVER** be fitted as an independent gas fire without the boiler.



## OPERATING THE UNIT



**1** Turn the fire control knob to the OFF position ●, switch the bulbs off and allow the fire to cool.

**2** Remove the fire hearth by grasping it on either side at the bottom, and pulling towards you. This will release the clips and allow the hearth to be lifted away by drawing it forward.

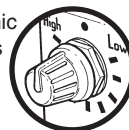
**3** The lamp box, which is clipped at the top and hinged at the bottom, can now be rotated forward to expose the boiler controls. Use the handles provided.

**4** Turn the boiler thermostat control knob to the off position (●).

Manual Controls Boiler



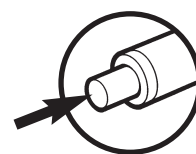
Electronic Controls Boiler



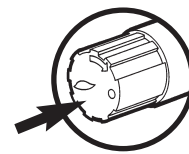
**5** Turn on the main gas & electricity supplies to the appliance.

**6 TO LIGHT THE BOILER PILOT: (Manual Controls Boiler)** Hold in the grey push button on the gas control valve. Looking through the pilot viewing window or mirror: Press the igniter button and release. Repeat until the pilot lights. Continue to hold in the grey push button for a further 15 seconds. The pilot should stay alight.

**NOTE:** If the pilot fails to remain alight or is extinguished at any time, wait at least 3 minutes then repeat step 6. Once the pilot is alight it may be left on permanently.



Igniter Button



Grey Push Button

### Important Information

This product uses a fuel effect coalbed containing Refractory Ceramic Fibres (R.C.F.) which are man-made vitreous silicate fibres. Excessive exposure to these materials may cause temporary irritation to eyes, skin and respiratory tract. Care must be taken when handling these articles to ensure the release of dust or fibres is kept to a minimum. Refer to the section "Cleaning the Fire".

#### "Benchmark" Installation, Commissioning and Service Record Log Book

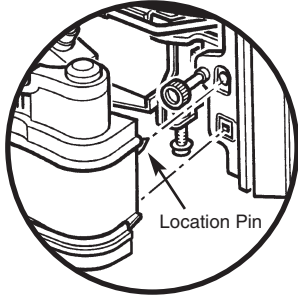
Please ensure that your installer has completed the Installation and Commissioning sections of the Log Book, and hands the Log Book over. The details of the Log Book will be required in the event of any warranty work. Keep the Log Book in a safe place and ensure that the relevant sections are completed at each subsequent regular service visit.

**7 TO LIGHT THE BOILER: (Manual Controls Boiler)** Ensure that all external controls, e.g. room thermostat, timer etc., are calling for heat. Turn the boiler thermostat knob to the desired position.

**8 TO LIGHT THE BOILER: (Electronic Controls Boiler)** Ensure that all external controls, e.g. room thermostat, timer etc., are calling for heat. To operate the pilot turn the thermostat knob to the desired position. The green neon light on the control box will illuminate once the pilot is lit. The burner will also light shortly after the pilot has been established. The pilot is intermittent and only lights when the boiler thermostat is calling for heat. **If the boiler cannot be lit by the above method consult your installer or British Gas Service.**

**To adjust the boiler temperature:** Turn the boiler thermostat knob clockwise to the required setting. The optimum boiler thermostat setting depends upon type of system, external controls and your requirements. Your Installer will be able to advise you on this matter.

**9** Clip the lamp box back into position and replace the fire hearth by guiding the hearth location pins into the holes provided on the fascia. Push the hearth at the bottom to secure the clips.



**10 TO LIGHT THE FIRE** - Push in the control knob then turn anti-clockwise to the ignition/pilot position ★▲ and hold. Sparking will commence and the pilot will ignite. When lit, the pilot is visible at the front centre of the coalbed. Continue to hold the control knob in position for a further 15 seconds before releasing. The pilot should stay alight.

**NOTE:-** If the pilot fails to remain alight or is extinguished at any time, wait at least two minutes, then repeat step 10. Once the pilot is alight it may be left on permanently.

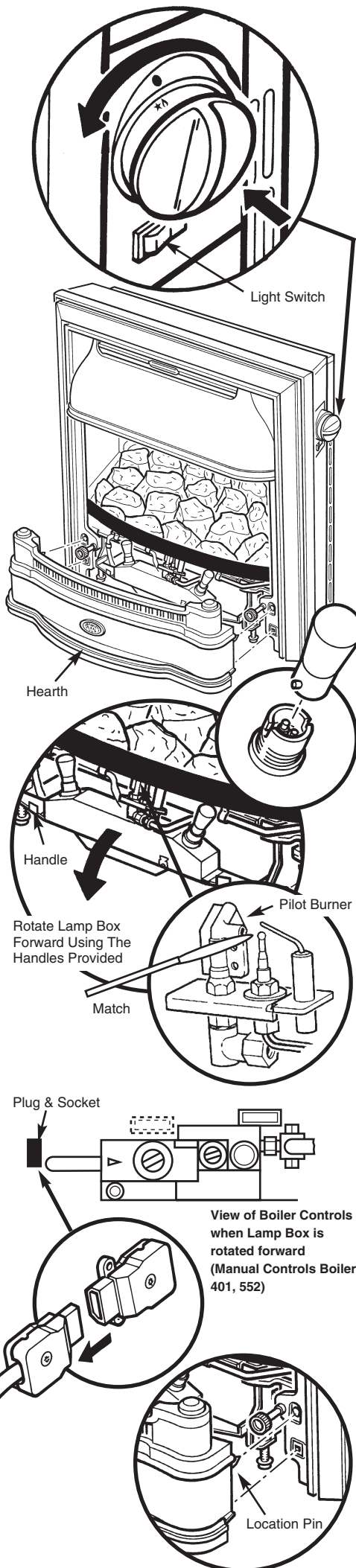
**11 TO ADJUST THE FIRE OUTPUT:** Push in the control knob and turn to one of the available positions, as shown below.

- Position ● - Off
- Position ★▲ - Ignition/Pilot
- Position 1 - Low
- Position 2 - Medium
- Position 3 - Medium/High
- Position 4 - High

**NOTE:-** When your Bermuda is first used it is possible that certain smells may be emitted. These smells will quickly clear with use. As the fire is used more and more, the bright finished metal around the coalbed will begin to darken. This is perfectly normal and will enhance the realism of the coal and flame effect.

**12 TO TURN THE FIRE OFF** Push in the control knob and turn clockwise to the OFF position.

The pilot light can be left on by stopping at the ★▲ position but the fire is not completely off until the control knob is turned to position ●.



**LIGHTING EFFECT**

The light effect is operated by a switch below the control knob and may be used with or without the fire being on.

**IGNITION WITH A MATCH**

If the electricity supply fails, the fire may be lit with a match. Remove the fire hearth by grasping it on either side at the bottom, and pulling towards you. This will release the clips and allow the hearth to be lifted away by drawing it forward.

The pilot burner is now visible at the front centre of the coalbed.

Push in the control knob, then turn anti-clockwise to the ignition/pilot position ★▲ and hold. Light the pilot with a match.

Continue to hold the control knob in for a further 15 seconds, before releasing. The pilot should stay alight.

Replace the fire hearth by guiding the hearth location pins into the holes provided on the fascia and pushing the hearth at the bottom to secure the clips.

**BULB REPLACEMENT**

The fire should only be fitted with 15 watt amber pygmy bulbs. The bulbs can be obtained from most supermarkets.

Turn the fire control knob to the OFF position ●, switch the bulbs off and allow to cool.

Remove the fire hearth by grasping it on either side at the bottom, and pulling towards you. This will release the clips and allow the hearth to be lifted away by drawing it forward.

The lamp box, which is clipped at the top and hinged at the bottom, can now be rotated forward to gain access the plug supplying electricity to the fire. Use the handles provided.

Isolate the electricity supply to the fire by disconnecting the plug from the socket (as shown).

Replace the bulbs as necessary and re-connect the plug and socket.

Clip the lamp box back into position and replace the fire hearth by guiding the hearth location pins into the holes provided on the fascia. Push the hearth at the bottom to secure the clips.

## REMOVAL OF GLASS FRAME FOR CLEANING

**CAUTION!** This appliance must never be used without the glass front panel in position. Should the glass front panel become damaged, the fire should be turned off until it has been replaced.

**NOTE:-** This is a heat resistant glass and must not be replaced by ordinary glass. Some small blemishes may be seen in the glass. These are inherent in its manufacture and will not affect its performance or durability.

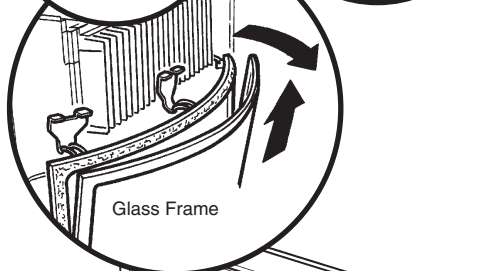
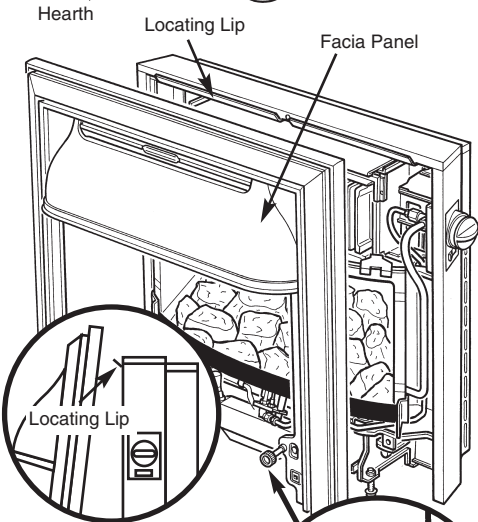
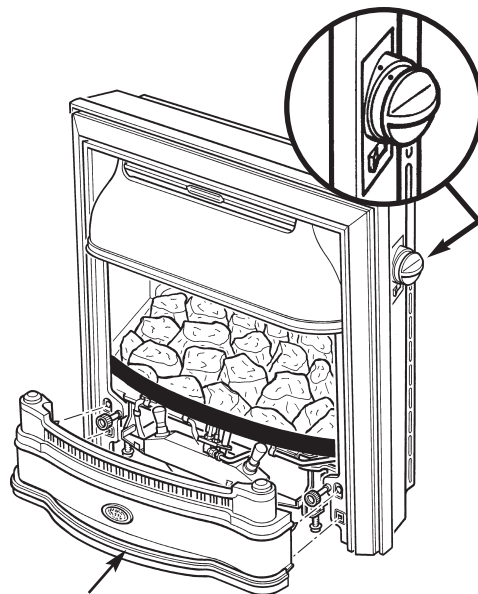
Turn the fire control knob to the OFF position ●, switch the bulbs off and allow the fire to cool.

Ensure the fire and its glass are cold. Remove the fire hearth by grasping it on either side at the bottom, and pulling towards you. This will release the clips and allow the hearth to be lifted away by drawing it forward.

The fascia panel is secured to the main body of the fire by two fasteners at the bottom. Release the fasteners by turning them anti-clockwise.

The fascia panel which is supported on a lip at the top of the fire can now be removed. Grasp the fascia on either side and bring slightly forward, before lifting clear of the lip.

The 3 clips that secure the glass frame assembly are now visible across the top edge of the glass frame. The two outer clips should be released before the centre one. Release the clips by gripping centrally and pulling upwards. When the clips are released, the glass frame assembly will lean outwards to rest on its bottom location positions, from which it can be lifted clear of the fire.

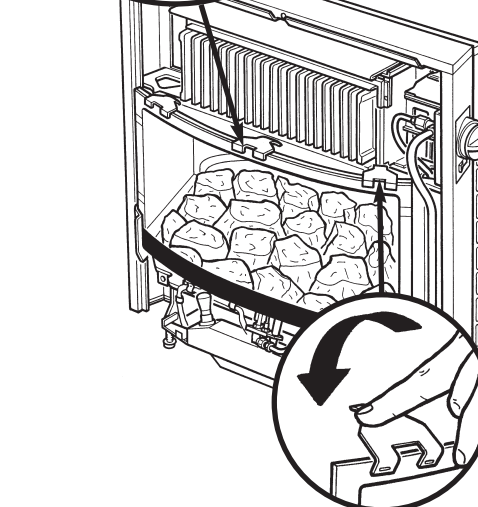


## TO REPLACE THE GLASS FRAME

Place the bottom edge of the glass frame into its location positions and push back onto the sealing rope. Engage the clips onto the front edge of the frame and push down to lock. The centre clip should be secured before the outer clips.

Replace the fascia by grasping it on either side and locating onto the lip provided at the top of the fire. Secure the two fasteners at the bottom by pushing in and turning clockwise.

Replace the fire hearth by guiding the hearth location pins into the holes on the fascia and pushing the hearth at the bottom to secure the clips.

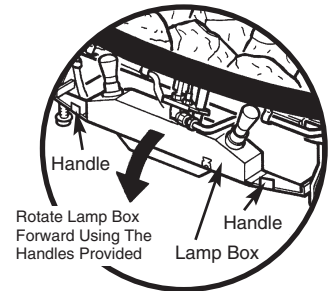


## TO SHUT DOWN THE BOILER

Turn the fire control knob to the OFF position ●, switch the bulbs off and allow the fire to cool.

Remove the fire hearth by grasping it on either side at the bottom, and pulling towards you. This will release the clips and allow the hearth to be lifted away by drawing it forward.

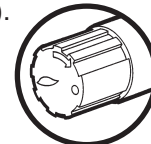
The lamp box, which is clipped at the top and hinged at the bottom, can now be rotated forward to expose the boiler controls. Use the handles provided.



**To switch the boiler off for short periods. (Manual Controls Boiler)** Turn the boiler thermostat knob to the OFF position (●). The pilot will remain alight.



**To switch the boiler off for long periods. (Manual Controls Boiler)** Turn the grey push button clockwise and release. Turn the boiler thermostat knob to the OFF position (●).



**To switch the boiler off. (Electronic Controls Boiler)** Turn the thermostat knob to the OFF position (●).



If you are shutting down both the fire and boiler, isolate the electrical supply that serves the system controls i.e. Timer/Programmer.

Clip the lamp box back into position and replace the fire hearth by guiding the hearth location pins into the holes provided on the fascia. Push the hearth at the bottom to secure the clips.

**NOTE:-** If the boiler is left off for long periods during cold weather, it is recommended that the whole system is drained to avoid frost damage. Advice on draining the system can be obtained from your installer or British Gas Service.

## SPARE PARTS

Any repairs to the appliance during the guarantee period will usually be the responsibility of the installer, after which, spare parts may be obtained through an approved Baxi stockist. The spare parts available and their relevant G.C. numbers can be found at the back of the installation and servicing instructions booklet. The appliance name and G.C. number, which are on the data badge, should always be quoted. The data badge is visible on the bottom left hand side of the appliance when the fascia is removed.

## GUARDING

The glass front panel on this appliance conforms to the required safety standards. It does not give full protection to the young, elderly or infirm. Where such protection is required, use a fire guard which conforms to BS 6539. The glass panel becomes very hot when the appliance is in use and must not be touched. The appliance must never be used without the glass panel in place.

**NOTE:** Most heating appliances generate warm air convection currents and transfer heat to any wall surface against which they are situated. Some modern vinyl wallpapers may not be suitable for use where they are subjected to temperatures above normal room levels. The manufacturers advice should be sought before using this type of wall covering adjacent to any heating appliance. The likelihood of wall staining from convected air currents will be increased in environments where high levels of tobacco smoke or other contaminants exist.

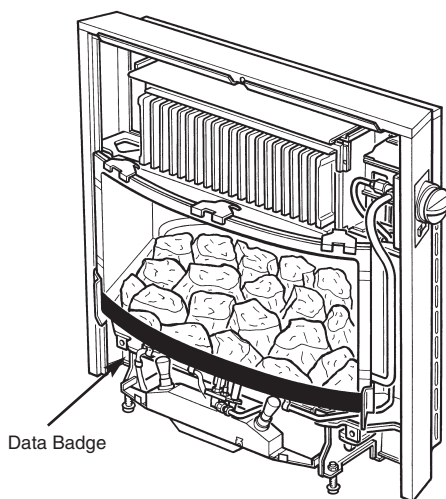
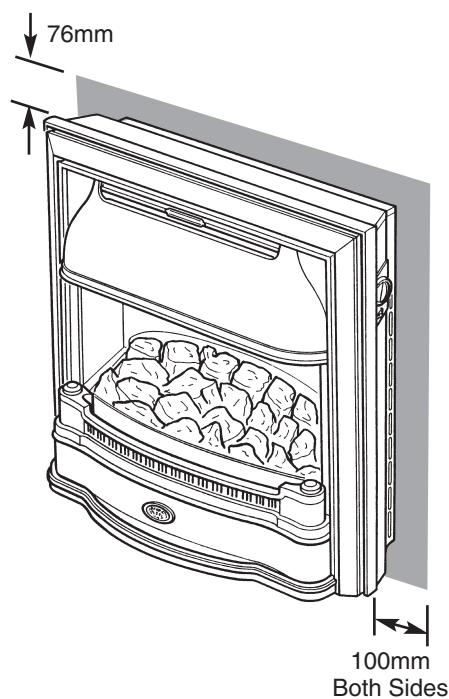
## PILOT / A.S.D.

Both the boiler and firefront are fitted with a pilot light that also acts as an Atmospheric Sensing Device. This means that in the event of the flow of gases out of the flue being interrupted, the pilots will extinguish and shut the fire and boiler down. If this occurs persistently your installer or British Gas Service should be contacted immediately. On a renewal model installed with a 401, 552, 45/3 or 57/3 the boiler will not shut down. The fire will only shut down when used on its own. It is important that the appliance is regularly serviced to ensure correct operation of the Atmospheric Sensing Device.

## CLEARANCES AROUND THE FIRE

The minimum clearance spaces around the Baxi Bermuda RG3 are:

Top: 76mm (3 in)  
Sides: 100mm (4 in)



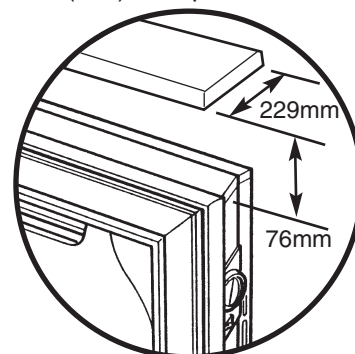
## SURROUND OR WALL FINISH

The surround or wall finish must have a flat vertical area centrally placed about the opening. If a surround is fitted, any gaps between it and the wall must be sealed and it must have a rating of 100° C or higher.

These clearances must not be reduced or obstructed in any way.

Reducing the clearances above the fire may lead to damage of any overhanging shelf or fire surround by overheating. Reducing the clearances to the sides of the fire means that access to the control knob is reduced.

If a shelf is to be fitted above the fire, then it must be at least 76mm (3 in) above the fire and not more than 229mm (9 in) in depth.



## CLEANING THE FIRE

Ensure that the fire is cold. The painted panels and metalwork should be wiped with a damp cloth and dried thoroughly with a lint free cloth. **Do not use polish on any part of the fire.** The glass may be cleaned with a non-abrasive cream cleanser and decorative parts may be buffed with a soft cloth.

**NOTE:-** Both sides of the glass must be cleaned after the first week of using the fire.

It is possible that some soot may be deposited on the coals after use. This is acceptable providing it is not allowed to accumulate.

Should any soot accumulation become excessive the fuel effect coalbed should be removed from the fire for cleaning. To remove the coalbed it is necessary to remove the glass front panel. It is recommended that gloves are worn when handling the coalbed, which is extremely fragile and must be handled accordingly. Cleaning should be carried out in a well-ventilated area or the open air by gently brushing with a soft brush with the coalbed held away from the face to avoid inhaling the dust. The use of a normal domestic vacuum cleaner is not recommended as it may blow dust back into the air. Care must also be taken if retouching the coalbed is required. Keep the coalbed away from children at all times. Never use coals other than those supplied or Genuine Baxi Spare Parts. Never put additional coals on the fire. Always wash hands thoroughly after handling the coalbed. Please read the Important Information section on page 3.

The coalbed may be retouched using black stain. This is available direct from Baxi UK Limited or your local Baxi Spares Stockists. Quote Part No 043224 when ordering.

## WARNINGS

### IN CASE OF GAS LEAKS

**If a gas leak is found or suspected,** turn off the gas supply at the meter immediately and contact your Installer or British Gas Emergency (under 'Gas' in the phone directory).

**NEVER HANG CLOTHES OR OTHER ITEMS OVER THE APPLIANCE.**

### SERVICING YOUR BERMUDA

We strongly recommend that your Bermuda is serviced annually for reasons of safety and economy. Your Installer or British Gas Service will be able to advise you.

**THIS APPLIANCE MUST BE EARTHED**

**Electricity supply:** A standard 230 volt ~ 50Hz supply is required. The appliance must be protected by a 3 amp fuse.

### SAFE INSTALLATION

Installation of this appliance must be carried out by a CORGI Registered Installer or other competent person and be in accordance with the relevant requirements of the GAS SAFETY (Installation and Use) REGULATIONS, CURRENT I.E.E. WIRING REGULATIONS and any other regulations applying in your area.

**NEVER OPERATE A FAULTY APPLIANCE.**

## GUARANTEE

Your Baxi Bermuda is designed and produced to meet all the relevant British Standards.

Baxi UK Limited provide a 12 month guarantee on the Bermuda - other parts of the system are covered by the Installer or other manufacturers. The guarantee operates from the date installation is completed for the customer who is the original user.

To maximise the benefit from our guarantee we urge you to return the reply-paid guarantee registration.

This does not in any way prejudice your rights at Common Law. Such rights between the customer and the installer or supplier from whom the unit was purchased remain intact.

**Any component or part (with the exception of the bulbs) which becomes defective during the guarantee period as a result of faulty workmanship or material whilst in normal use will be repaired or replaced free of charge.**

**PLEASE  
COMPLETE  
THE  
GUARANTEE  
CARD**

## **The Baxi Helplines**

For General Enquiries  
**+44 (0)8706 060 780**

For After Sales Service  
**+44 (0)8706 096 096**

For Technical Enquiries  
**+44 (0)8706 049 049**

# **BAXI**

**Baxi UK Limited**  
Brownedge Road  
Bamber Bridge Preston  
Lancashire  
PR5 6SN  
[www.baxi.com](http://www.baxi.com)