

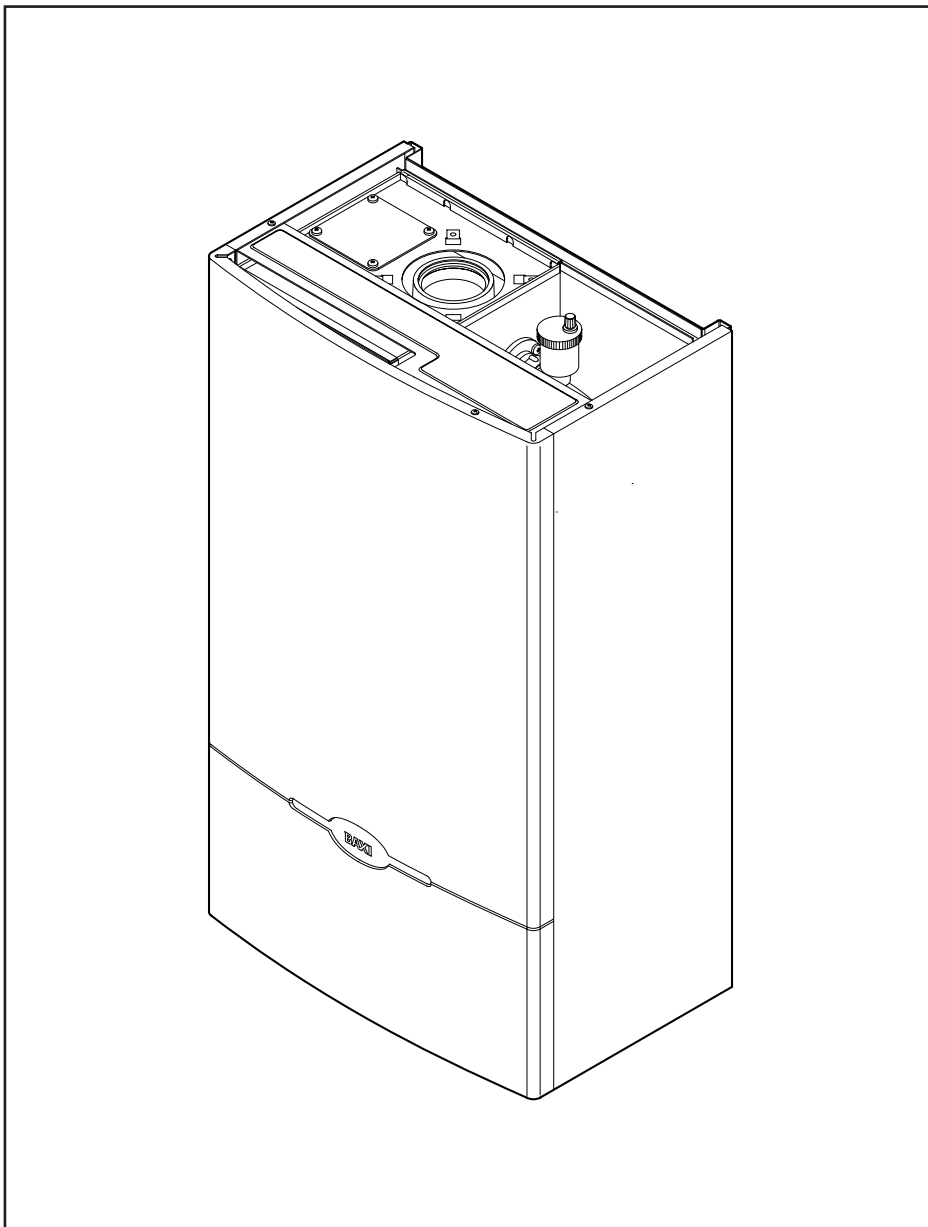
Please keep these instructions safe.  
Should you move house, please hand  
them over to the next occupier.

# Baxi Combi 130 HE

## Gas Fired Wall Mounted Condensing Combination Boiler

---

### User's Operating Instructions



**BAXI**

## Natural Gas

---

**Baxi Combi 130 HE**  
G.C.N° 47 075 04

### **Important - Installation, Commissioning, Service & Repair**

This appliance must be installed in accordance with the manufacturer's instructions and the regulations in force. Read the instructions fully before installing or using the appliance.

In GB this must be carried out by a competent person as stated in the Gas Safety (Installation & Use) Regulations.

Definition of competence: A person who works for a CORGI registered company and holding current certificates in the relevant ACS modules, or valid ACoP equivalents, is deemed competent.

In IE this must be carried out by a competent person as stated in I.S. 813. "Domestic Gas Installations".

Baxi is one of the leading manufacturers of domestic heating products in the UK.

Our first priority is to give a high quality service to our customers. Quality is designed into every Baxi product - products which fulfil the demands and needs of customers, offering choice, efficiency and reliability.

To keep ahead of changing trends, we have made a commitment to develop new ideas using the latest technology - with the aim of continuing to make the products that customers want to buy.

Everyone who works at Baxi has a commitment to quality because we know that satisfied customers mean continued success.

We hope you get a satisfactory service from Baxi. If not, please let us know.

The boiler meets the requirements of Statutory Instrument "The Boiler (Efficiency) Regulations 1993 N° 3083" and is deemed to meet the requirements of Directive 92/42/EEC on the energy efficiency requirements for new hot water boilers fired with liquid or gaseous fuels:-

Type test for purpose of Regulation 5 certified by:  
Notified Body 0086.

Product/Production certified by:  
Notified Body 0086.  
Ref: 86-BL-647

For GB/IE only.



Baxi is a BS-EN ISO 9001  
Accredited Company

## 1.0 Warnings

In GB the following Codes of Practice apply:

STANDARD	SCOPE
B.S. 6891	Gas Installation.
B.S. 5440: Pt 1	Flues.
B.S. 5440: Pt 2	Air Supply.
B.S. 5546	Installation of hot water supplies for domestic purposes.
B.S. 7074	Expansion vessels and ancillary equipment for sealed water systems.
B.S. 5449: Pt 1	Forced circulation hot water systems.
B.S. 6798	Installation of gas fired hot water boilers.
B.S. 5793	Treatment of water in domestic hot water central heating systems.

In IE:

STANDARD	SCOPE
I.S. 813	Domestic Gas Installations.
The following BS standards give valuable additional information	
B.S. 5546	Installation of hot water supplies for domestic purposes.
B.S. 7074	Expansion vessels and ancillary equipment for sealed water systems.
B.S. 5449	Forced circulation hot water systems.
B.S. 7593	Treatment of water in domestic hot water central heating systems.

### IN AN EMERGENCY

If a water or gas leak occurs or is suspected, the boiler can be isolated at the inlet valves as follows;

1. Turn off the electrical supply.
2. The isolating valves are positioned under the boiler and can be closed using either a flat headed screwdriver or a 7mm open ended spanner across the flats.
3. Turn the gas tap clockwise to the stop position to isolate the gas supply at the boiler.
4. To isolate the water system, close the four valves fully by turning clockwise.
5. Call your Service Engineer as soon as possible.

### “Benchmark” Installation, Commissioning and Service Record Log Book

Please ensure that your installer has completed the Installation and Commissioning sections of the Log Book and hands the Log Book over. The details of the Log Book will be required in the event of any warranty work. Keep the Log Book in a safe place and ensure that the relevant sections are completed at each subsequent regular service visit.

All CORGI registered installers carry a CORGI identification card and have a registration number. Both should be recorded in your boiler Log Book. You can check your installer is registered by telephoning +44 (0)1256 372300 or writing to:-

CORGI. 1 Elmwood, Chineham Business Park, Crockford Lane, Basingstoke. RG24 8WG.

**Never Hang Any Items Over The Appliance**

### 1.1 Safe Installation

1. The appliance is suitable only for installation in GB and IE and should be installed in accordance with the rules in force.

In GB, the installation must be carried out by a CORGI Registered Installer. It must be carried out in accordance with the relevant requirements of the **GAS SAFETY (Installation and Use) REGULATIONS**. The appropriate **BUILDING REGULATIONS** either the Building Regulations, The Building Regulations (Scotland), Building Regulations (Northern Ireland). The **WATER FITTINGS REGULATIONS OR WATER BYELAWS** in Scotland. The current **I.E.E. WIRING REGULATIONS**.

Where no specific instructions are given, reference should be made to the relevant **BRITISH STANDARD CODES OF PRACTICE**. Reference should also be made to **BRITISH GAS GUIDANCE NOTES FOR THE INSTALLATION OF DOMESTIC GAS CONDENSING BOILERS**.

In IE, the installation must be carried out by a competent person and installed in accordance with the current edition of **I.S.813 “DOMESTIC GAS INSTALLATIONS”**, the current **BUILDING REGULATIONS** and reference should also be made to the current **ETCI** rules for electrical installation.

2. **This appliance must be installed in accordance with the manufacturer’s instructions and the rules in force, and only used in a suitably ventilated location.**

3. **Read the instructions before installing or using this appliance.**

4. Any purpose provided ventilation should be checked periodically to ensure that it is free from obstruction.

**IMPORTANT** - The addition of anything that may interfere with the normal operation of the appliance without express written permission from the manufacturer or his agent could invalidate the appliance warranty. In GB this could also infringe the **GAS SAFETY (Installation and Use) REGULATIONS**.

### 1.2 In case of gas leaks

1. **If a gas leak is found or suspected**, turn off the gas supply at the meter immediately and call your gas supplier. **Do not operate any electrical equipment or light switches.**

### 1.3 Servicing your Appliance

For reasons of safety and economy your appliance should be serviced annually. Your Installer will be able to advise you.

**WARNING:** The condensate outlet must not be blocked or modified.

### 1.4 Electricity Supply

1. **THIS APPLIANCE MUST BE EARTHED.**

2. A standard 230V ~ 50Hz supply is required. The appliance must be protected by a 3 amp fuse.

## 2.0 Operating the Boiler

### 2.1 Introduction

1. Your Baxi Combi 130 HE is a gas fired, room sealed, powered flue condensing combination boiler, providing central heating for your home and mains fed domestic hot water. It is fully automatic and does not have a pilot light. Frost and pump protection are an integral part of the appliance.

2. Priority is given to the hot water mode - when a hot water tap is turned on the supply of heat to the central heating circuit is interrupted.

3. **Intelligent Pre-Heat:** The boiler incorporates an intelligent pre-heat feature. This ensures that the domestic hot water to the tap is pre-heated only when the user required hot water the previous week. The pre-heat switches the boiler on for approximately 1 minute every 40 minutes when required. This function can be switched off if not required. During the first week of operation from power on, no pre-heating will occur.

3. A shortened version of these operating instructions appears on the reverse of the lower door panel. A label gives details of the model, serial number, G.C.N° and the manufacturer's name and address.

### 2.2 Operating the Boiler

1. Ensure that the electricity and gas supplies are turned on.

2. Hinge down the lower door panel (Fig. 1).

3. Press the Summer/Winter mode button (☀/❄) (Fig. 2) until the required setting is shown on the Control Panel

**☀** indicates the summer setting and only hot water will be provided when a tap or shower is turned on.

**❄** indicates the winter setting and the central heating will operate on demand or the hot water will be provided when a tap or shower is turned on.

4. Priority is given to domestic hot water. The boiler control system has an automatic time delay built in for central heating. **It is normal that following a shutdown by the boiler thermostat, timer or roomstat, there is a delay of approximately 3 minutes, before relighting.**

5. The boiler will light automatically on demand.

6. The orange indicator on the badge will light when the boiler is operating and the main burner is on (Fig. 2).

7. To turn off the boiler: Press the On/Off/Reset button (★●Reset) until 00 appears on the display (Fig. 2a). **NOTE:** This will disable boiler & system frost protection. Press again to turn back on.

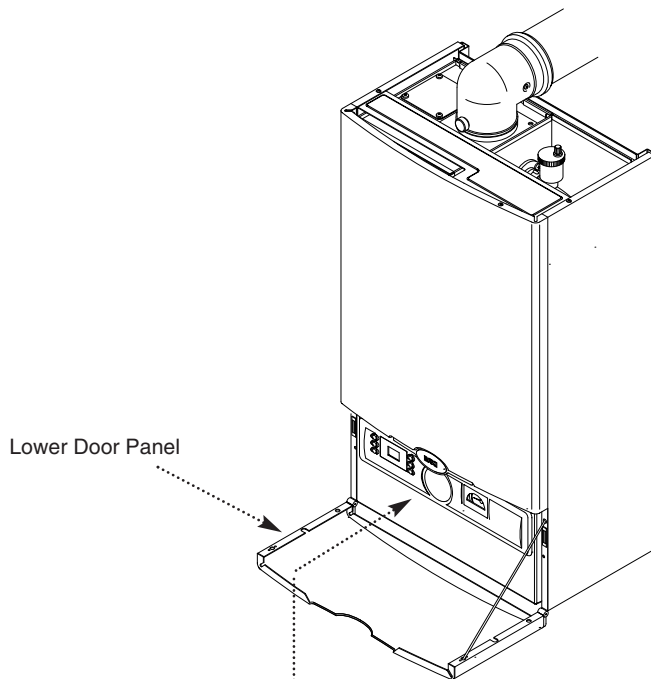


Fig. 1

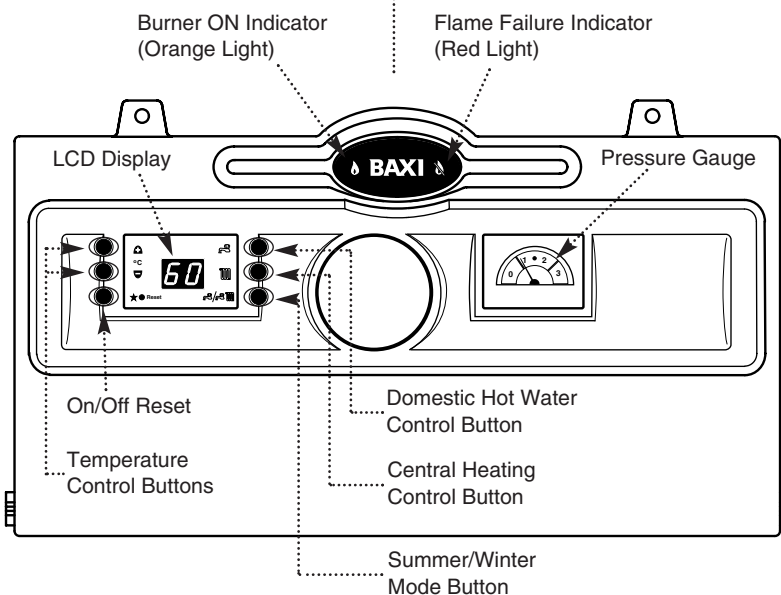


Fig. 2

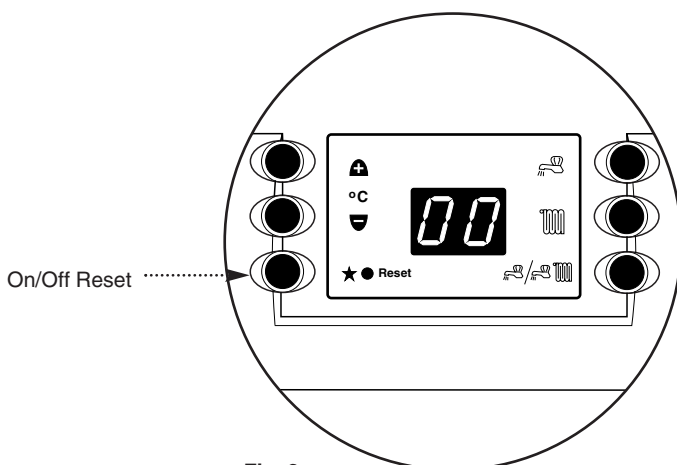



Fig. 2a

## 2.0 Operating the Boiler

### 2.3 Temperature Control


**Central Heating:** The boiler will automatically achieve the optimum flow temperature for maximum comfort and efficiency.

1. However, in the case of the elderly, infirm or very young, a lower radiator surface temperature may be desirable. If so, the central heating flow temperature can be adjusted between  $45^{\circ}\text{C} \pm 3^{\circ}\text{C}$  minimum and  $82^{\circ}\text{C} \pm 5^{\circ}\text{C}$  maximum.

2. To set the required temperature, press and hold the Central Heating Control Button (  ) whilst adjusting the necessary Temperature Control Button (Fig. 4).

**Domestic Hot Water:** The boiler will automatically achieve the optimum flow temperature for maximum comfort and efficiency.

1. The temperature of the domestic hot water can be adjusted between  $35^{\circ}\text{C} \pm 5^{\circ}\text{C}$  minimum and  $55^{\circ}\text{C} \pm 5^{\circ}\text{C}$  maximum.

2. To set the required temperature, press and hold the Domestic Hot Water Control Button (  ) whilst adjusting the necessary Temperature Control Button (Fig. 4).


3. At a DHW temperature set point of  $45^{\circ}\text{C}$  the flow rate can be reduced down to as low as 3.5 litres/min without any degradation of the hot water control. No DHW will be provided at less than 3.5 litres/min.


**NOTE:** Two status indicators can be seen through the badge (Fig. 3).

The right hand symbol is the red “Flame Failure” indicator.

The left hand symbol is the orange “Burner ON” indicator.

### 2.4 Resetting the Appliance

1. The appliance only needs resetting if the red flame failure light is on (Fig. 3) or if the display shows (  ) for more than 10 seconds.

2. If the red flame failure light is on, press the On/Off/Reset button (  ) (Fig. 4) until the red flame failure light goes off.

3. If the display shows (  ) for more than 10 seconds, switch the power off for 10 seconds.

4. If this occurs persistently consult a competent service engineer.

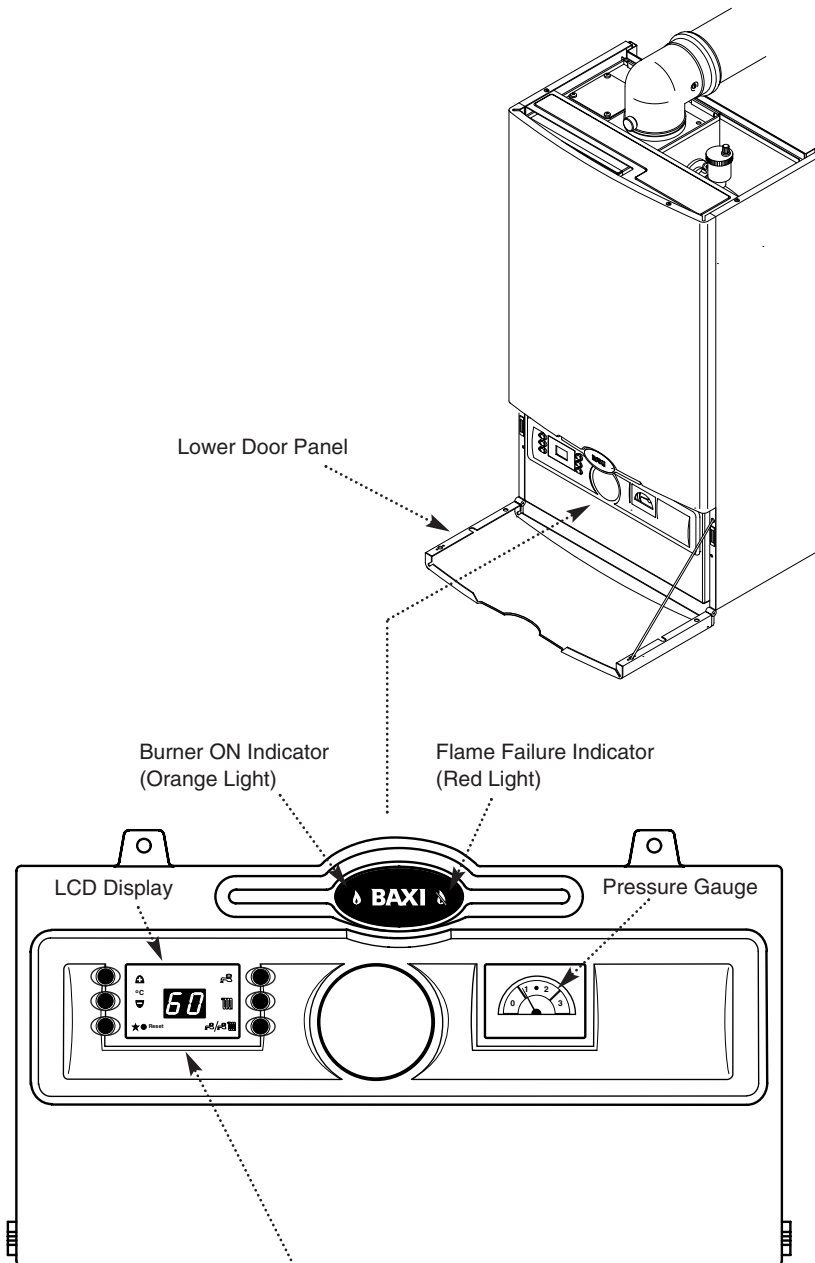


Fig. 3

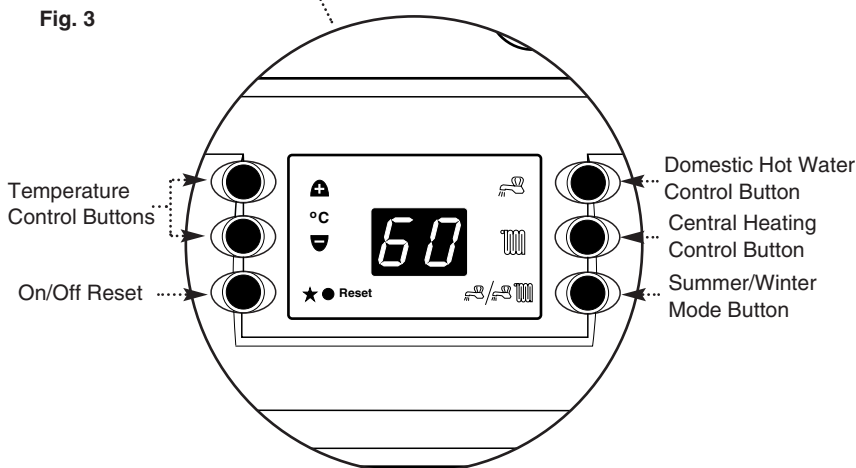


Fig. 4

Control Panel

## 2.0 Operating the Boiler

### 2.5 Central Heating System Pressure

1. The water pressure in the central heating system is indicated by the pressure gauge.
2. The normal operating pressure is in the range between 1 and 2.5 bar (Fig. 5).
3. A pressure of 3 bar or greater indicates a fault (Fig. 6). The safety pressure relief valve will operate at a pressure of 3 bar. It is important that your Service Engineer is contacted as soon as possible.
4. The MINIMUM pressure for correct operation is 1 bar. If the pressure falls below this it may indicate a leak on the central heating system (Fig. 7).
5. **The system must be re-pressurised by your Service Engineer.**

### 2.6 Emergency Shutdown

1. Turn off the gas supply at either the boiler or the gas meter.
2. Turn off the electricity supply at the fused isolating switch.

### 2.7 Frost Protection

1. If a frost thermostat has been fitted or the system frost protection has been enabled, then to operate correctly and protect your system, the gas and electricity must be left on and the appliance set in the winter mode (see section 2.2).

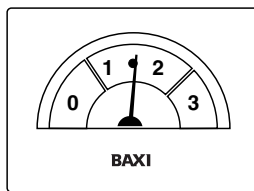
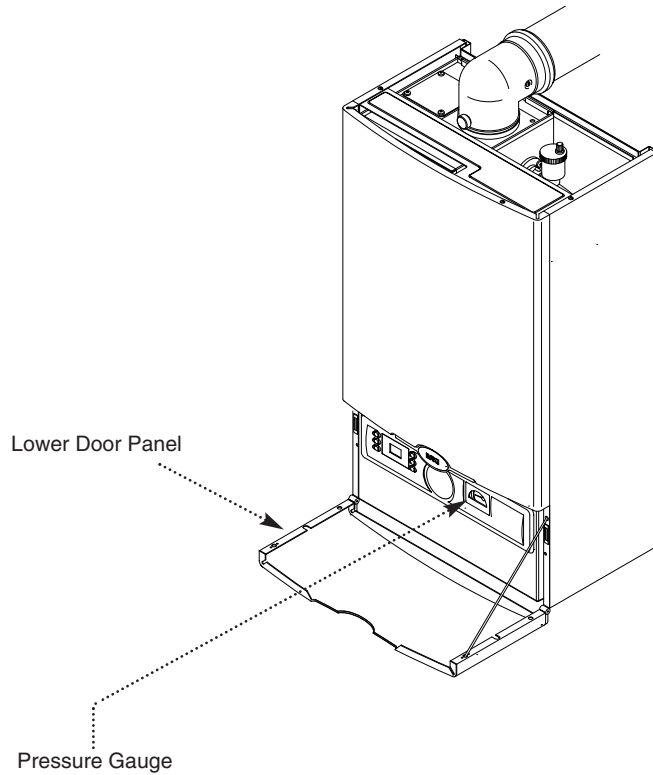


Fig. 5

Normal Pressure

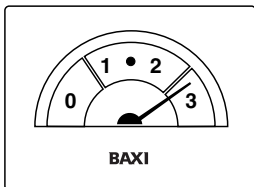


Fig. 6

Fault

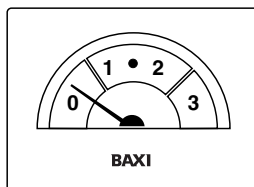


Fig. 7

Below Minimum

## 3.0 Clearances and Check List

### 3.1 Clearances around the Boiler (Figs. 8 & 9)

1. The minimum clear spaces needed around the boiler measured from the casing are as follows:

Top	-	200mm	
Bottom	-	200mm	
Both sides	-	5mm	
Front	-	500mm	(For Servicing)
	-	5mm	(In Operation)

2. **These areas must not be obstructed in any way. Blocking the clearance spaces may result in the boiler overheating and damage may occur.**

3. The gas burning compartment of your boiler is completely sealed from the room in which it is fitted. Products from the combustion of gas are vented to the outside through the flue terminal which must be kept free from obstruction as this would interfere with the correct operation of the boiler.

4. **Where the appliance is installed in a cupboard or compartment no air vents are required.** The label affixed to the front of the boiler must not be removed. The information will be required by service engineers in the future. The compartment should be large enough to house the boiler and ancillary equipment only.

5. **IT SHOULD NOT BE USED AS A STORAGE CUPBOARD.**

### 3.2 Check List

1. If a fault develops, or is suspected, call your Service Engineer as soon as possible.
2. Go through the following check list before you make contact.
  - a) Is the electricity supply on ?
  - b) Is the On/Off/Reset button on (Not showing 00) and set for both Central Heating and Domestic Hot Water ? (Showing On)
  - c) Is the red "Flame Failure" indicator illuminated ? if so, press the On/Off/Reset Button (It may also be necessary to turn the power off for 10 seconds)
  - d) Is the gas supply on ?
  - e) Is the mains water supply turned on ?
  - f) Are the boiler temperature controls set high enough ?
  - g) Is the time clock (if fitted) calling for central heating ?
  - h) Is the room thermostat (if fitted) set high enough ?
  - i) Are the radiator valves open ?

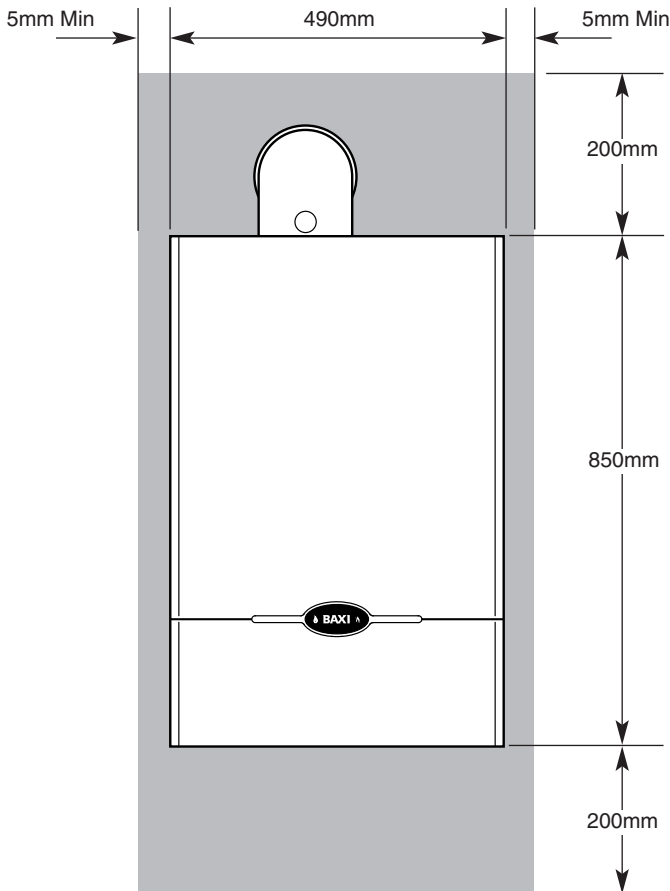


Fig. 8

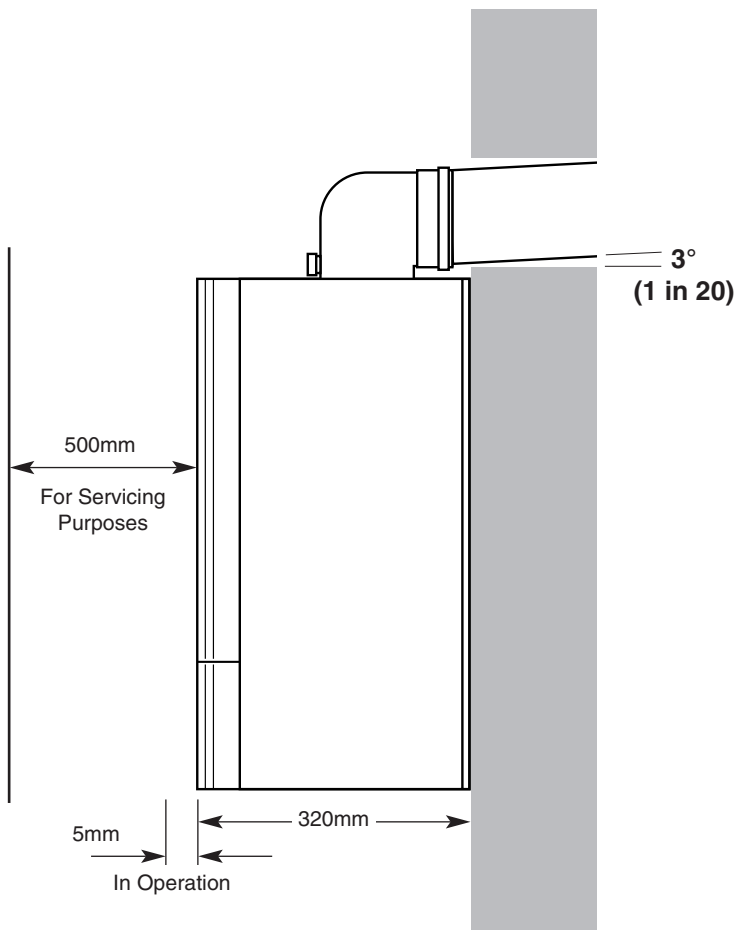


Fig. 9

## 4.0 Cleaning, Spares & Guarantee

---

### 4.1 Cleaning the Outercase

The painted panels should be wiped with a damp cloth and then dried completely. **DO NOT USE ABRASIVE CLEANING AGENTS.**

---

### 4.2 Spare Parts

1. Any repairs to the boiler will usually be the responsibility of the Installer during the guarantee period after which spare parts may be obtained through approved Baxi stockists if required.

2. Quote the appliance name, model number and where possible the part number when ordering spares. A short parts list is included in the Installation and Servicing Instructions.

---

### 4.3 Guarantee

1. Your Baxi Combi 130 HE is designed and produced to meet all the relevant Standards.

2. Baxi provide a 12 month guarantee on the boiler. The guarantee operates from the date installation is completed for the customer who is the original user.

3. To maximise the benefit from our guarantee we urge you to return the reply-paid guarantee registration.

4. This does not in any way prejudice your rights at Common Law. Such rights between the customer and the installer or supplier from whom the unit was purchased remain intact.

**Any component or part which becomes defective during the guarantee period as a result of faulty workmanship or material whilst in normal use will be repaired or replaced free of charge.**

---







Baxi manufacture a comprehensive range of products for the domestic heating market.

**Gas Central Heating Boilers  
(Wall, Floor and Fireside models).**

**Independent Gas Fires.**

**Renewal Firefronts.**

**Gas Wall Heaters.**

**Solid Fuel Fires.**

If you require information on any of these products, please write, telephone or fax to the Sales Department.

When contacting Baxi Potterton please have the following information to hand:

Appliance Name  
Model Number  
Serial Number

A label giving these details is situated on the rear of the lower door panel attached to the users operating instruction label.

