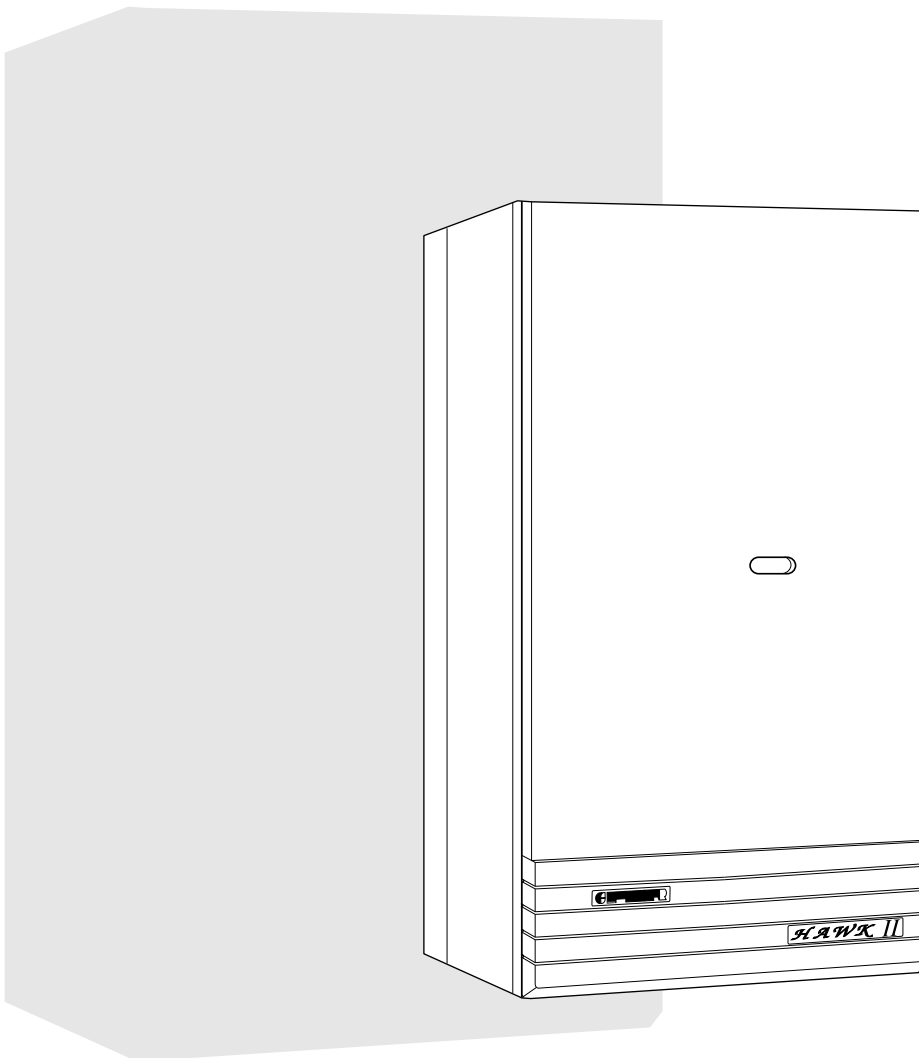


**INSTALLATION INSTRUCTIONS**

# *HAWK II*

**WALL MOUNTED, FANNED,  
ROOM SEALED, COMBINATION BOILER**



W.R.C. No. 9207076

**SERVICE HELPLINE**

**FOR SERVICE OR TECHNICAL ASSISTANCE  
PHONE: 08707 282 885  
PLEASE QUOTE BOILER SERIAL NUMBER**

**Important:**

**Please read this book  
before installing this appliance**

**Leave these instructions with the user**

## CONTENTS

| <b>PAGE</b> | <b>INDEX</b>   |
|-------------|--|
| 3           | Introduction   |
| 4           | Technical Data   |
| 5           | Appliance Dimensions   |
| 6           | Boiler Flow Diagram  |
| 7           | Key of Boiler Flow Diagram                                     |
| 8           | Installation Details   |
| 9           | Location of Boiler   |
| 9           | Air Supply   |
| 10          | Flue System  |
| 10          | Gas Supply   |
| 10          | Water System   |
| 11          | Temporarily filling loop                                       |
| 12          | Central Heating Pump   |
| 12          | Sizing of expansion vessel                                     |
| 13          | Installation of Boiler   |
| 13          | 1. Unpacking   |
| 13          | 2. Preparing Appliance Fixing (Rear Flue)                      |
| 13          | 3. Preparing Appliance Fixing (Side Flue)                      |
| 13          | 4. Preparing Boiler (standard carton)                          |
| 14          | Installation dimensions  |
| 15          | 4. Preparing the Flue Assembly                                 |
| 16          | 5. Connecting the Boiler                                       |
| 17          | 6. Fitting the Flue Assembly                                   |
| 17          | 7. Electrical Installation                                     |
| 18          | 8. Commissioning & Testing                                     |
| 18          | 8.1 Filling the Central Heating System                         |
| 18          | 8.2 Filling the Domestic Hot Water System                      |
| 18          | 8.3 Electricity Supply   |
| 18          | 8.4 The Gas Installation                                       |
| 19          | 8.5 To Light the Boiler  |
| 20          | 8.6 To Range Rate the Boiler C.H.                              |
| 21          | Gas pressure adjustment with Honeywell<br>VR 4600 N 4002 valve |
| 22          | Time clock   |
| 24          | 8.7 D.H.W. Burner Pressure                                     |
| 24          | 9. System operation  |
| 24          | 10. Handing Over to the User                                   |
| 25          | 11. Air pressure switch  |
| 26          | Spare Parts List   |
| 27          | Domestic Hot Water Performance + Modureg                       |
| 28          | General Wiring Diagram   |
| 29          | Fast Fault Finding   |

## INTRODUCTION

### **Gas Safety (Installation and Use) Regulations 1994 (As Amended)**

This appliance must be installed and serviced by a competent person, in accordance with the above regulations.

Failure to install appliances correctly could lead to prosecution.

It is in your own interest and that of safety, to ensure that these regulations are complied with.

### **Boiler Description**

The FER Hawk II is a room sealed combination boiler using a fan assisted balanced flue.

The boiler, providing both central heating and instantaneous hot water at mains pressure, has been designed for use with a sealed central heating system.

The pump, expansion vessel and all safety devices are fitted within the boiler.

The boiler will suit central heating systems requiring 9.7 to 23.3 kW.

The boiler will automatically modulate to provide the correct amount of heat required for the system, no range rating is needed.

The maximum domestic hot water temperature is set at 55 °C and will provide 9.2 litres/min. of water at 35 °C temperature rise.

The central heating water temperature is controllable by the boiler thermostat which can be adjusted by the user.

A six minute pump over run is incorporated to dissipate heat following shut down of the central heating.

The pump is not required to operate during use of the domestic hot water, although a one second pump spin will automatically cut in when the domestic hot water is shut off thus preventing failure of the pump (due to sticking) in the summer months.

A permanent pilot is used to provide ignition for the main burner, this is lit by the use of a piezo igniter.

The boiler is designed to be used with an external time switch/room thermostat of voltage free contacts.

The following automatic safety features are included:-

- Overheat safety thermostat to shut off the boiler and pilot if the heat exchanger exceeds a preset temperature.

- Limit thermostat on the central heating.

- A pressure safety valve which will open and relieve excess water pressure from the central heating system.

### **Related Documents**

It is the Law that all gas appliances are installed by competent persons in accordance with the following regulations:-

Gas Safety (Installation & Use) Regulations 1994. (As amended).

- All relevant Building Regulations.

- Model and Local Water undertaking Byelaws.

- Health & Safety document 635 "The Electrician at Work Regulations 1989".

- Current I.E.E. Regulations. (BS 7671).

British Standard Codes of Practice:-

- BS5440: 1 1990 Flues

- BS5440: 2: 1989 Air supply

- BS5449: 1990 Forced Circulation Hot Water Systems

- BS5546: 1990 Installation of Hot Water supplies for Domestic Purposes.

- BS6798: 1987 Installation of Gas Fired hot Water Boilers.

- BS6891: 1989 Gas Installations.

- BS7593: 1993 Treatment of Water in Domestic Hot Water Central Heating Systems.

- BS4814: 1990 Specification for expansion vessels

---

## Technical Data

|  | <b>G20</b>             | <b>G31</b>             |
|--|------------------------|------------------------|
| Nominal Heat Input D.H.W. & C.H. (gross) | 28.6 kW                | 28.0 kW                |
| Minimum Heat Input D.H.W. & C.H. (gross) | 12.8 kW                | 12.5 kW                |
| Nominal Heat Input D.H.W. & C.H. (net)   | 25.8 kW                | 25.8 kW                |
| Minimum Heat Input D.H.W. & C.H. (net)   | 11.5 kW                | 11.5 kW                |
| Nominal Heat Output D.H.W. & C.H.        | 23.3 kW                | 23.3 kW                |
| Minimum Heat Output D.H.W. & C.H.        | 9.7 kW                 | 9.7 kW                 |
| Maximum Gas Rate                         | 2.72 m <sup>3</sup> /h | 2.66 m <sup>3</sup> /h |
| Burner Pressure (max.)                   | 14.5 mbar              | 36.0 mbar              |
| Burner Pressure (min.)                   | 2.7 mbar               | 7.9 mbar               |
| Injector Marking (Main Burners)          | 210                    |                        |
| Injector Size (4 off)                    | 2.10 mm                |                        |
| Pilot Injector Marking                   | 38/33A                 |                        |
| Dimensions (overall):                    |                        |                        |
| Height                                   | 1020 mm                |                        |
| Width                                    | 480 mm                 |                        |
| Depth                                    | 360 mm                 |                        |
| Weight (nett)                            | 51 kg                  |                        |
| Weight (gross)                           | 53 kg                  |                        |
| Electricity supply:                      | 230 V ~ 50 Hz          |                        |
| External fuse                            | 2 A                    |                        |
| Electrical Input                         | 150 W                  |                        |
| Central Heating:                         |                        |                        |
| Max. Flow Temperature                    | 85 °C                  |                        |
| Temperature Rise Across Boiler           | 20 °C                  |                        |
| Domestic Hot Water Flow:                 |                        |                        |
| 35°C Rise                                | 9.2 litres/min.        |                        |
| Minimum Domestic Hot Water Flow          | 2.5 litres/min.        |                        |
| Maximum Domestic Cold Water Inlet press. | 10 bar                 |                        |
| Minimum Heating Circuit Pressure         | 0.8 bar                |                        |
| Maximum Heating Circuit Pressure         | 3.0 bar                |                        |
| Low water pressure switch                | 0.4 bar                |                        |
| Boiler Water Capacity: Heating           | 2 litres               |                        |
| Domestic Hot Water                       | 0.5 litres             |                        |
| Connections:                             |                        |                        |
| Gas                                      | 22 mm                  |                        |
| Domestic Hot Water Outlet                | 15 mm                  |                        |
| Domestic Cold Water Inlet                | 15 mm                  |                        |
| Pressure Relief Valve Drain              | 15 mm                  |                        |
| Central Heating Flow                     | 22 mm                  |                        |
| Central Heating Return                   | 22 mm                  |                        |
| Minimum Installation Clearances:         |                        |                        |
| Sides - Left hand                        | 5 mm                   |                        |
| Right hand                               | 5 mm                   |                        |
| Front                                    | 50 mm*                 |                        |
| Minimum Clearance below                  | 200 mm                 |                        |
| Minimum Clearance above                  | 100 mm                 |                        |

**Notes:**

\* Access to the front of the boiler must be available for maintenance (min. 600 mm)

## Appliance Dimensions

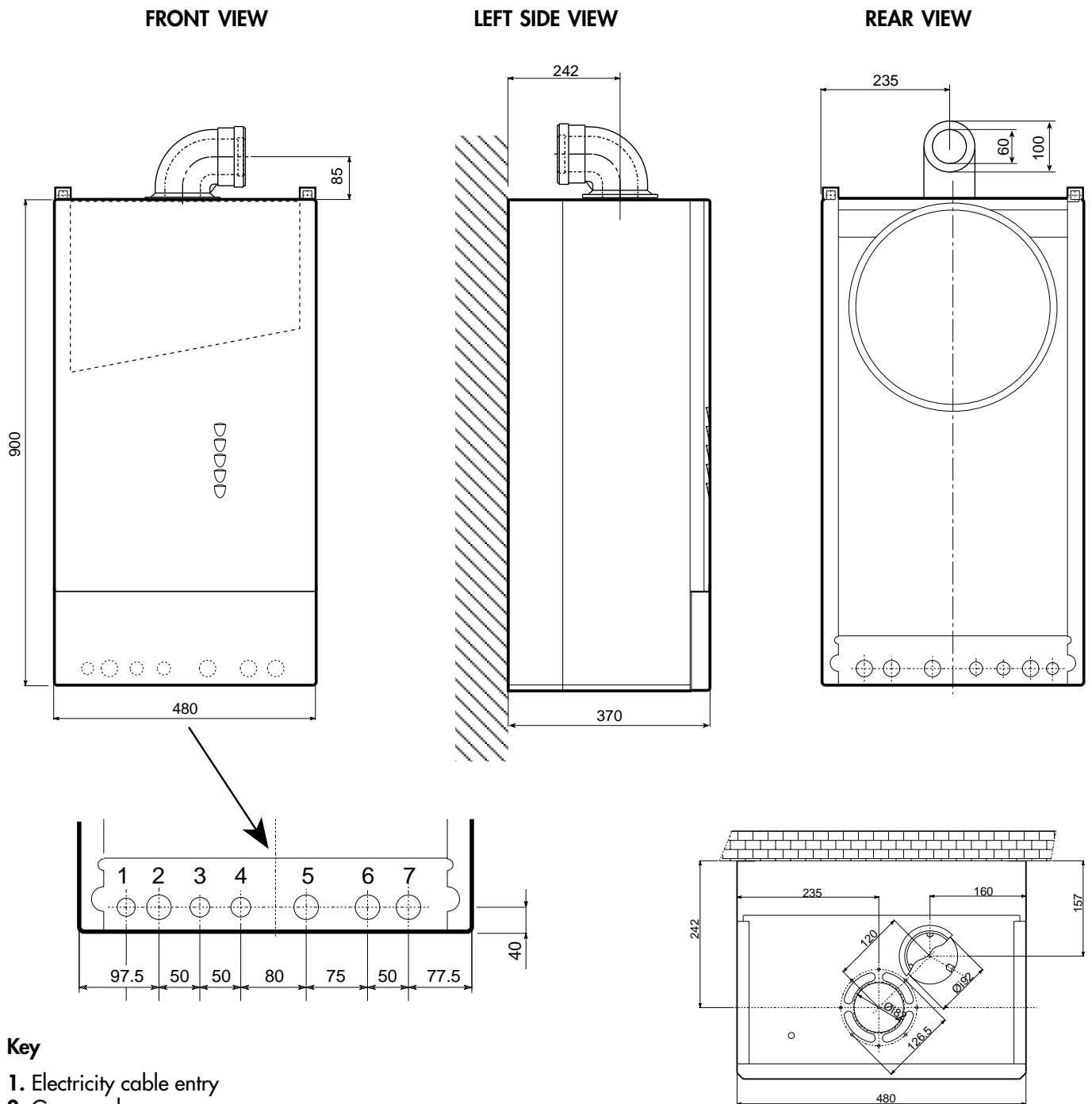


Fig. 1

TOP VIEW

**Boiler Flow Diagram**

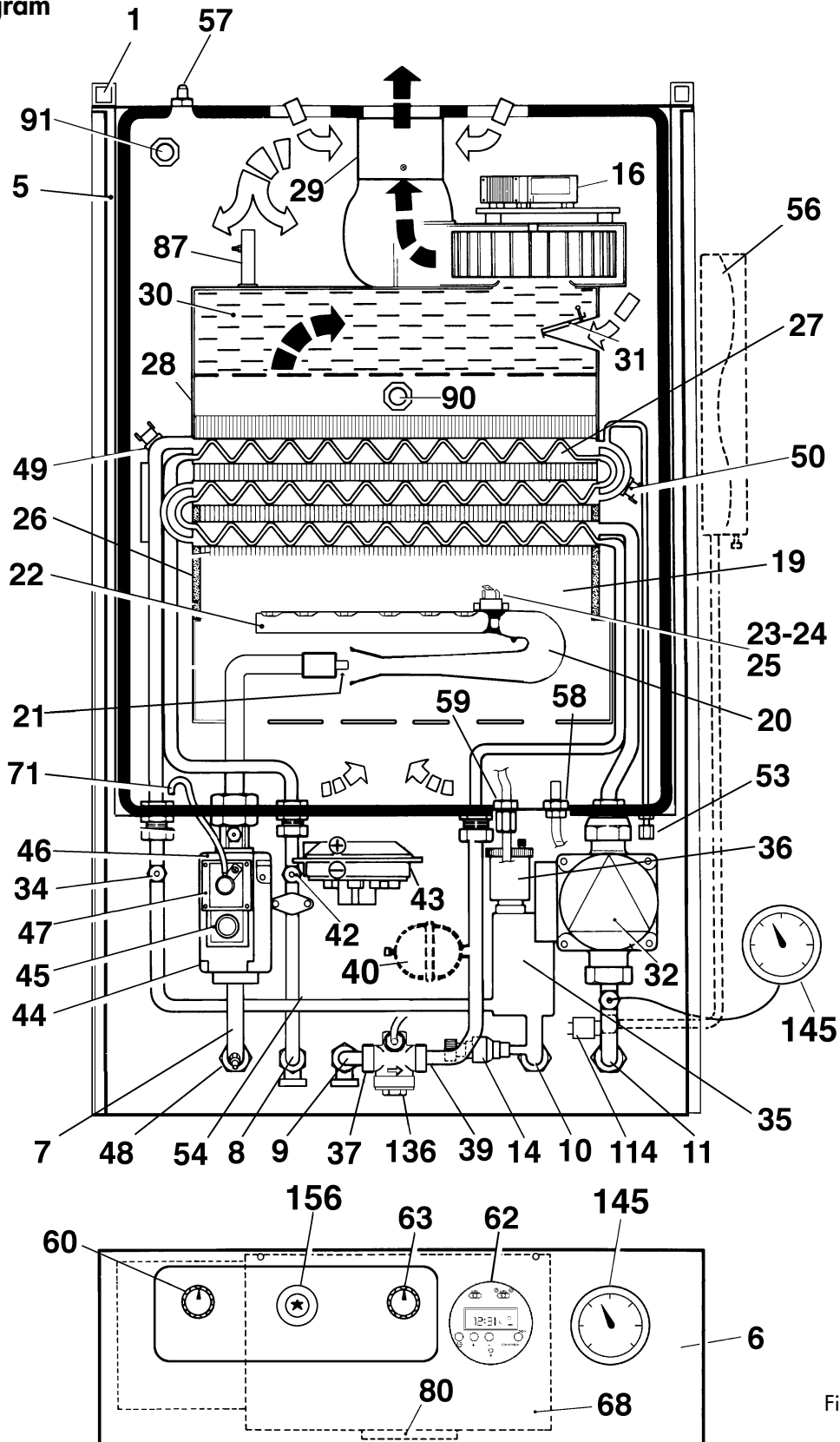


Fig. 2

## Key

1. Fixing point
5. Room sealed compartment
6. Control panel
7. Gas inlet
8. Domestic hot water outlet
9. Cold water inlet
10. Central heating flow outlet
11. Central heating return inlet
14. Central heating safety valve
16. Fan
18. Air distribution screen
19. Combustion - heat exchanging compartment
20. Burner assembly
21. Main injector (4)
22. Burner (4)
23. Thermocouple
24. Spark electrode
25. Pilot
26. Combustion chamber insulation
27. Copper heat exchanger for C.H. + D.H.W.
28. Flue collector from heat exchanger
29. Internal flue exit
30. Flue/surplus air collector
31. Air pressure control damper
32. Central heating pump
33. C.H. waterway of the heat exchanger
34. C.H. flow temperature sensor
35. Air separator
36. Automatic air vent
37. Cold water inlet filter
39. Cold water flow limiter
40. Domestic hot water expansion vessel (optional)
42. D.H.W. temperature sensor
43. Air pressure switch
44. Combination gas valve
45. Knob gas valve
46. Operator gas valve
47. Modulating regulator (Modureg) gas valve
48. Burner pressure test point
49. Overheat cut-off thermostat
50. Central heating limit thermostat
52. D.H.W. limit thermostat
53. Heat exchanger venting point
56. Expansion vessel
57. Fan air inlet pressure test point
58. Fan air outlet pressure test point
59. Flue outlet pressure test point
60. Extended control knob to gas valve
62. Time clock
63. C.H. boiler thermostat
68. Control box with P.C.B.
71. Modulating balance tube
80. 230 V + 24 V roomstat terminal blocks
87. Venturi test point
90. Flue outlet pressure test point
91. Air pressure test point
114. Low water pressure switch
136. Flowmeter
145. C.H. pressure gauge
156. Piezo-igniter

## Installation Details

### Gas Safety (Installation & Use) Regulations: 1994

In the interest of safety, it is the law that all gas appliances are installed by a competent person in accordance with the above Regulations, Building Regulations/Building Standards Scotland, Codes of Practice, current I.E.E. Regulations and the byelaws of the Local Water Undertaking. Failure to comply with the Regulations may lead to prosecution; it is in your interest and that of safety to ensure that the law is complied with.

**Important** - If the boiler is to be fitted in a timber framed building it should be fitted in accordance with the British Gas publication; Guide for Gas Installation in Timber Frame Housing: Reference DM2. If in doubt advice must be sought from the Local Gas Region of British Gas Plc.

### Location of Boiler

The installation of the FER *HAWK II* must be on a suitable non-combustible load bearing wall which will provide an adequate fixing for the boiler mounting bracket assembly. The location should be in an area where the water pipes will not be subjected to frost conditions. In siting the combination boiler the following limitations **must** be observed:

The combination boiler may be installed in any room or internal space, although particular attention is drawn to the requirements of the current, i.e. wiring regulations and in Scotland the electrical provisions of the building regulations applicable in Scotland, with respect to the installation of the combination boiler in a room or internal space containing a bath or shower.

Where a room sealed appliance is installed in a room containing a bath or shower any electrical switch or appliance control utilising mains electricity, should be so situated that it cannot be touched by a person using the bath or shower.

## Terminal Position

| POSITION | MINIMUM SPACING (fig. 3)  | mm    |
|----------|---|-------|
| A        | Directly below an openable window, air vent, or any other ventilation opening | 300   |
| B        | Below gutters, soil pipes or drainpipes                                       | 75    |
| C        | Below Eaves   | 100   |
| D        | Below a Balcony   | 100   |
| E        | From vertical drainpipes or soilpipes   | 75    |
| F        | From internal or external corners   | 100   |
| G        | Above adjacent ground or balcony level  | 100   |
| H        | From a surface facing the terminal  | 600   |
| I        | Facing another terminal   | 1,200 |
| J        | From opening (door/window) in carport into dwelling                           | 1,200 |
| K        | Vertically from a terminal on the same wall                                   | 300   |
| L        | Horizontally from a terminal on the same wall                                 | 300   |
| N        | Below carport   | 600   |

A Quinell Barrat and Quinell guard (part. No. C2) should be screwed to the wall centrally over the terminal, when the distance is less than 2 m from the outside floor.

### Air Supply

The room, cupboard or compartment in which the boiler is installed does not require a purpose provided vent.



## Terminal Position

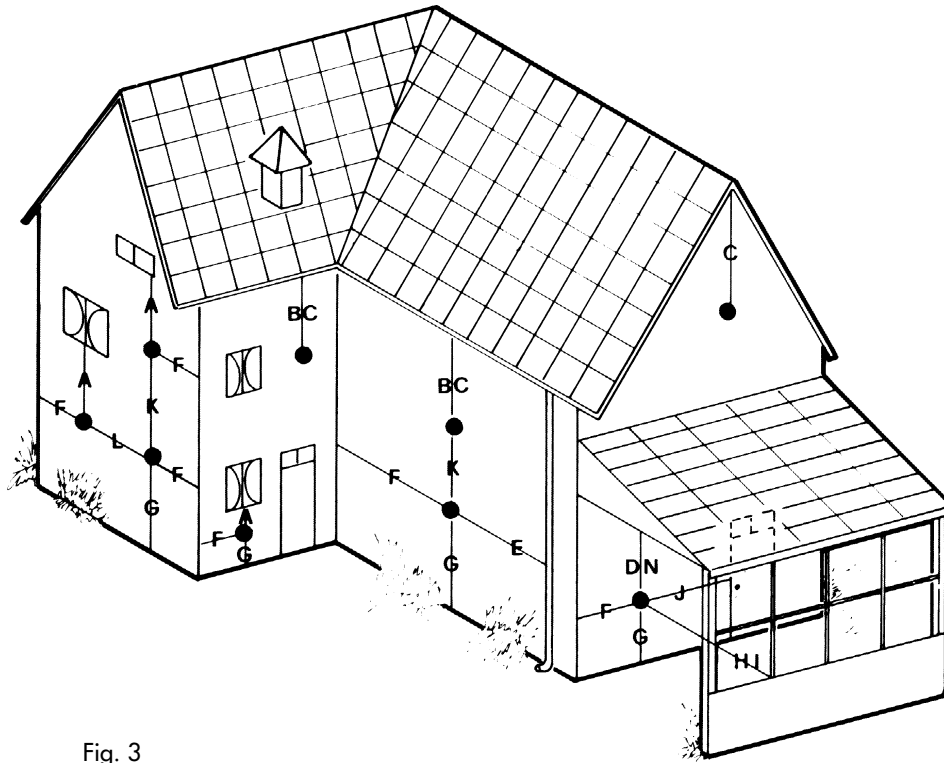


Fig. 3

## Minimum Clearance mm

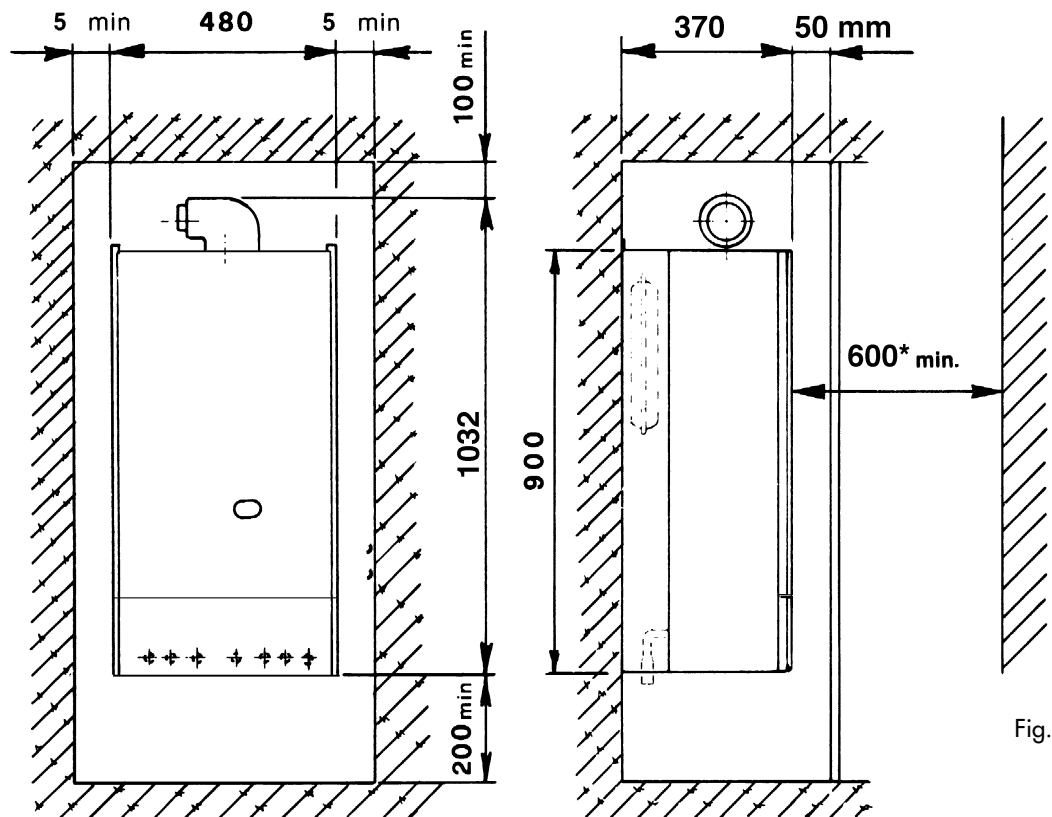


Fig. 5

## NOTES

\* Access to the front of the boiler must be available for maintenance (min. 600 mm).

## Flue system

The boiler allows the flue outlet to be taken from the rear of the boiler or from either side.

A standard flue length of 0.75 metres is provided.

It is absolutely **essential**, to ensure that products of combustion discharging from the terminal cannot re-enter the building, or enter any adjacent building, through ventilators, windows, doors, natural air infiltration, or forced ventilation/air conditioning.

## Gas Supply

If necessary the local Gas Region should be consulted, at the installation planning stage, in order to establish the availability of an adequate supply of gas.

An existing service pipe must **not** be used without prior consultation with the Local Gas Region.

A gas meter can only be connected by the Local Gas Region, or by a Local Gas Region's Contractor.

Installation pipes should be fitted in accordance with BS6891-1988.

Appliance inlet working pressure must be 20 mbar MINIMUM.

Pipework from the meter to the combination boiler must be of an adequate size, minimum 22 mm.

The boiler requires 2.75 m<sup>3</sup>/h of natural gas.

The complete installation must be tested for gas soundness and purged as described in BS6981-1988. All pipework must be adequately supported. An isolating gas valve is provided and should be fitted on the manifold assembly.

## Water System

### Central Heating

It must be a sealed system. Detailed recommendations are given in BS6798, BS5449, BS6700 and CP342 Part. 2. Pipework not forming part of the useful heating surface should be insulated to prevent any heat losses or possible freezing (i.e. in roof spaces or ventilated underfloor spaces). Drain taps should be positioned at the lowest point of the system in accessible locations to permit the whole system to be drained down. The drain taps should be in accordance with BS2879. Copper tubing to BS2871, Part. 1 is recommended for water carrying pipework. Pipework in horizontal runs should have a gradient where possible to facilitate the removal of air. It should be ensured that the boiler heat exchanger is not a natural point for collecting air. A typical heating system with domestic hot water circuit is illustrated in fig. 6.

**Important** - A minimum flow rate through the boiler of 6 l/min must be maintained. A bypass should be fitted as far as possible from the boiler if thermostatic radiator valves are fitted throughout.

### Make up Water

Provision must be made for replacing water lost from sealed system. Reference should be made to BS6798, for methods of filling and making up sealed systems. There must be no direct connection between the boiler's central heating system and the mains water supply. The use of mains water to charge and pressurise the system directly, is conditional upon the Local Water Byelaw. Again any such connection must be disconnected after use.

### Domestic Hot Water

Always fit a water softener or scale reducer in "hard water areas". The maximum Domestic Water pressure for the inlet supply is 10 bar (145 P.S.I.). If the cold mains supply exceeds 5 bar (72 P.S.I.), a water governor or pressure reducing valve must be fitted by the installer onto the mains supply in an accessible position preferably between 3 and 5 metre (10 - 16 ft.) before the Appliance. Such a valve must be Approved by the Water Research Council.

### Domestic Hot Water Expansion Vessel

Where problems with "water hammer" are experienced a Domestic Hot Water expansion vessel can be fitted within the Appliance on the supplied connection point.

**Attention** - Is drawn to the Model Water Byelaws.

Fittings manufactured from duplex (alpha-beta) brass are not acceptable for underground use and certain water undertakings will not accept their use above ground.

---

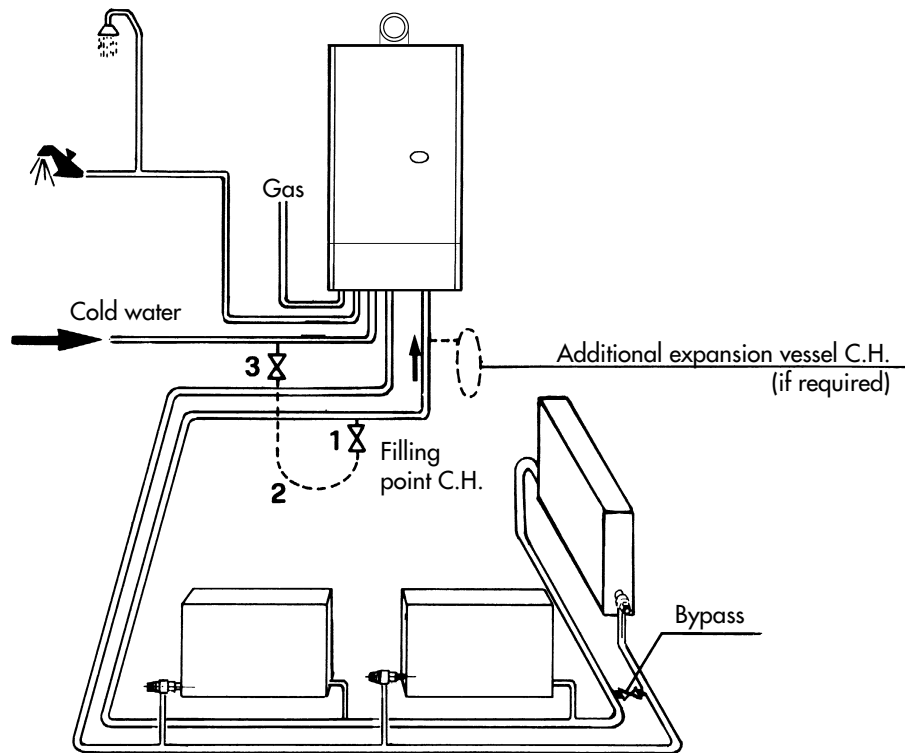
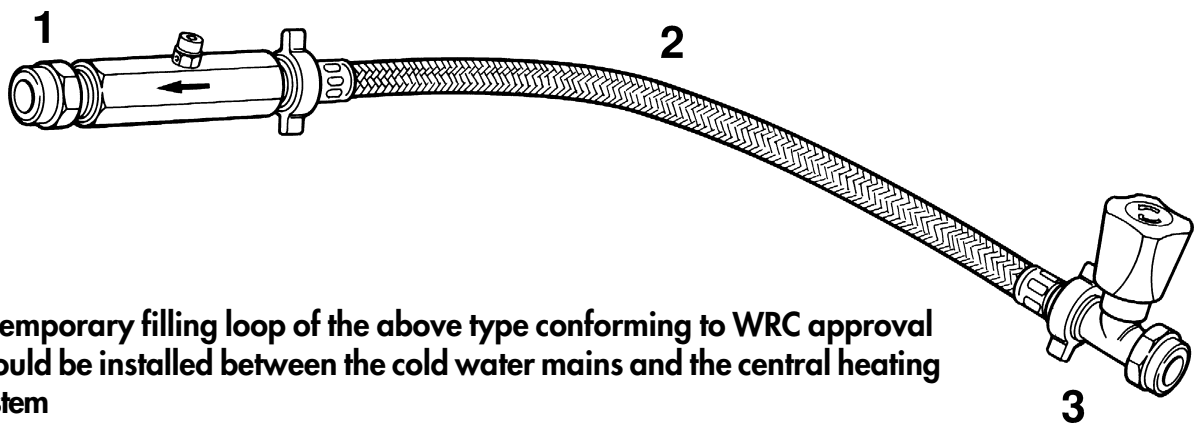


Fig. 6

**NOTE:** A bypass must be fitted as far as possible from the boiler if thermostatic radiator valves are fitted throughout.

## TEMPORARY FILLING LOOP



**A temporary filling loop of the above type conforming to WRC approval should be installed between the cold water mains and the central heating system**

### Key

- 1. Filling point C.H.
- 2. Temporary connection
- 3. Cold water supply

Fig. 7

## Built-in Central Heating Water Circulating Pump

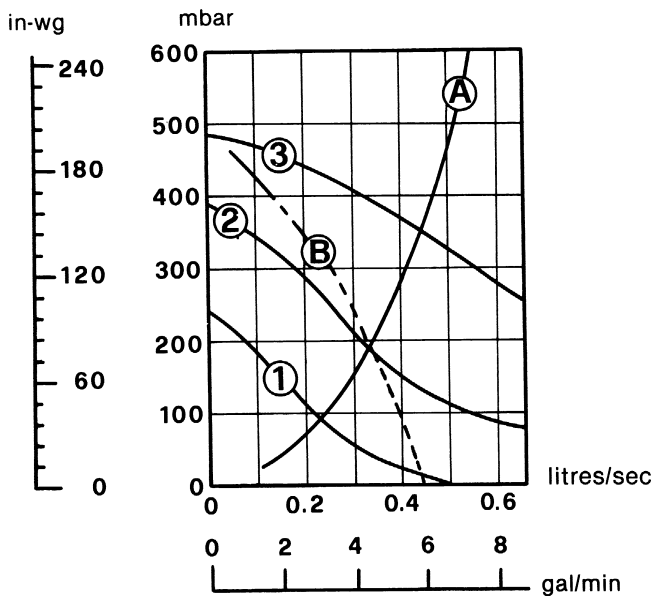
The pump head available for circulating the water is given in fig. 8.

**N.B.** - The pump is factory set at position 3. The pump is a Grundfos type 25-50 UPS series.

**Note** - Minimum flow through boiler heat exchanger at any time should not fall below 6 litres per minute.

If the total volume of water in the system exceeds 40 litres an additional expansion vessel must be fitted to the central heating return inlet.

## Pump performance curve Grundfos UPS 25-50



1 2 3 Speed settings  
 A Boiler pressure drop  
 B Max. available pump head C.H.

Fig. 8

|   |                                  |       |       |       |       |      |
|---|----------------------------------|-------|-------|-------|-------|------|
| SAFETY VALVE SETTING (bar)  | 3.0                              |       |       |       |       |      |
| VESSEL CHARGE PRESSURE (bar)  | 0.5                              |       | 1.0   |       | 1.5   |      |
| INITIAL SYSTEM PRESSURE (bar)   | 1.0                              | 1.5   | 2.0   | 1.5   | 2.0   | 2.0  |
| TOTAL WATER CONTENT of SYSTEM   | EXPANSION VESSEL VOLUME (litres) |       |       |       |       |      |
| LITRES  |                                  |       |       |       |       |      |
| 25  | 3.5                              | 6.5   | 13.7  | 4.7   | 10.3  | 8.3  |
| 50  | 7.0                              | 12.9  | 27.5  | 9.5   | 20.6  | 16.5 |
| 75  | 10.5                             | 19.4  | 41.3  | 14.2  | 30.9  | 24.8 |
| 100   | 14.0                             | 25.9  | 55.1  | 19.0  | 41.2  | 33.1 |
| 125   | 17.5                             | 32.4  | 68.9  | 23.7  | 51.5  | 41.3 |
| 150   | 21.0                             | 38.8  | 82.6  | 28.5  | 61.8  | 49.6 |
| 175   | 24.5                             | 45.3  | 96.4  | 33.2  | 72.1  | 57.9 |
| 200   | 28.0                             | 51.8  | 110.2 | 38.0  | 82.4  | 66.2 |
| For syst. volumes other than those given above, mult. the syst. volume by the factor across | 0.140                            | 0.259 | 0.551 | 0.190 | 0.412 | 0.33 |

**SIZING OF ADDITIONAL EXPANSION VESSELS:**  
 Deduct from the value given in the table the 7 litre vessel supplied.

**Note**

1. Fill C.H. installation to min. 1.5 bar.
2. Select by preference the expansion vessel for increased system pressure of 2.0 bar
3. Expansion vessel must be fitted to Central Heating Return Inlet
4. The standard 7 litres expansion vessel is charged to 1 bar

Fig. 9

**Note** - To mount the boiler on the wall, a two person lift will be needed.

## 1.0 UNPACKING

The appliance is delivered in three cartons.

- 1.1 The large carton contains the boiler, and the Installation/Service and Users Instructions.
- 1.2 The second carton contains the valves, fixing bolts and flue bend.
- 1.3 The third carton contains the flue assembly.

When the cartons are unpacked examine for any signs of damage in transit. All protective plastic should be left in place until installation is complete.

## 2.0 PREPARING APPLIANCE FIXING (Rear Flue Applications)

- 2.1 Select the boiler location carefully ensuring that all requirements given in previous text are satisfied. Fig. 10 will give guidance to fixing dimensions.
- 2.2 Mark position of flue centre and boiler fixing holes as shown in figure 10.
- 2.3 Carefully cut the circular flue hole. (118 mm minimum diameter).
- 2.4 Using a 8 mm drill, drill 60 mm deep holes to accept fixing wall bolts and insert these.
- 2.5 Tighten fixings until secure then remove nuts leaving fixing bolts protruding from wall.

**N.B.-** If the wall to be used is of a material or construction that a firm fixing cannot be obtained with the fixing bolts supplied use alternative fixings.

## 3.0 PREPARING APPLIANCE FIXING (Side Flue Applications)

- 3.1 Select the boiler location carefully ensuring that all the requirements given in previous text are satisfied. Fig. 10 will give guidance.
- 3.2 Mark position of flue centre and fixing bolts as shown in figure 10.
- 3.3 Carefully cut the circular flue hole. (118 mm minimum diameter).
- 3.4 Fit fixing wall bolts for boiler as explained in 2.4 and 2.5.

**N.B.-** If the wall to be used is of a material or construction that a firm fixing cannot be obtained with the fixing bolts supplied use alternative fixings.

## 4.0 PREPARING BOILER (standard carton)

- 4.1 Place the boiler on its back.
- 4.2 Remove the boiler base plate, four screws (fig. 16). Remove the plugs fitted to the boiler water connections. Remove the bag of sealing washers from the boiler pipe work.
- 4.3 From left to right fit gas cock and water valves as follows (fig. 11) using appropriate washer.
  - 22 mm Gas Cock (Yellow handle) Position 2
  - 15 mm Domestic Hot Water Outlet Position 3
  - 15 mm Domestic Cold Water Inlet (Blue handle) Position 4
  - 22 mm Central Heating flow (Blue handle) Position 6
  - 22 mm Central Heating Return (Blue handle) Position 7
  - for 15 mm Safety Valve connection (see 5.0)

**N.B.:** Before the gas inlet to the boiler there must be at least 100 mm of straight before any bends.

## INSTALLATION DIMENSIONS

**\* Boiler fixing studs level with the bottom of the flue hole**

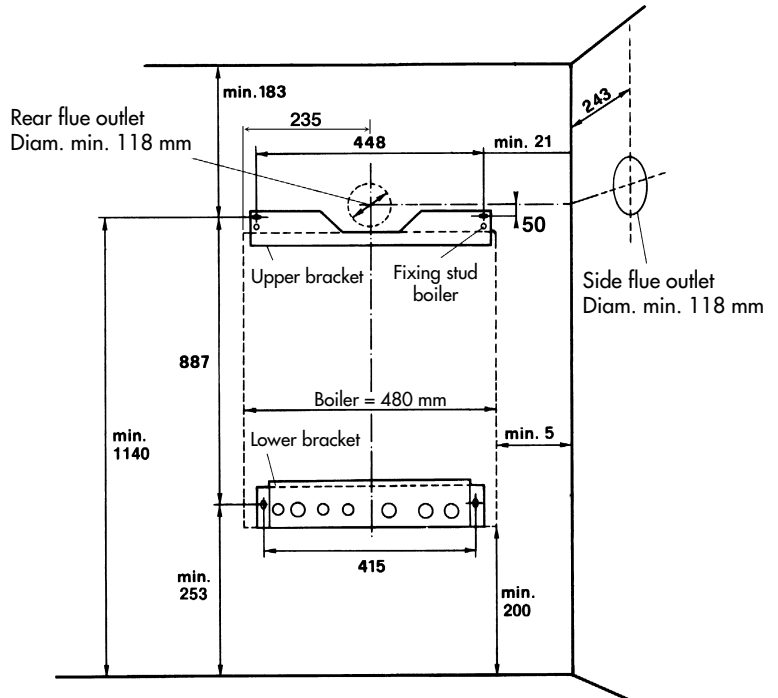
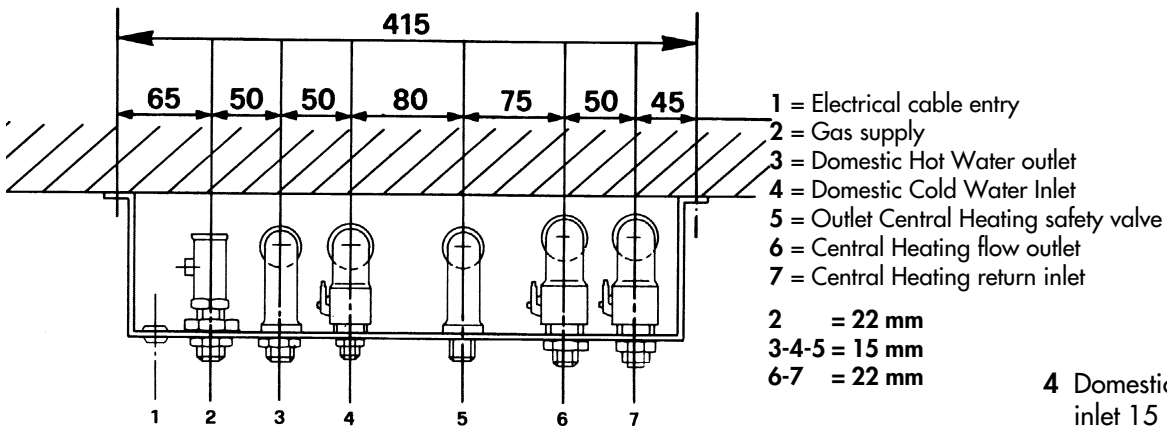


Fig. 10



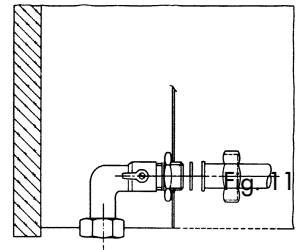
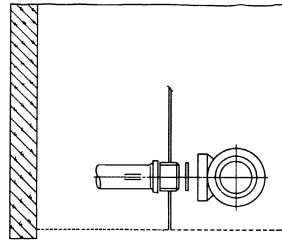
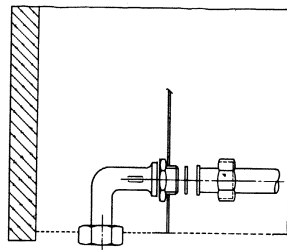
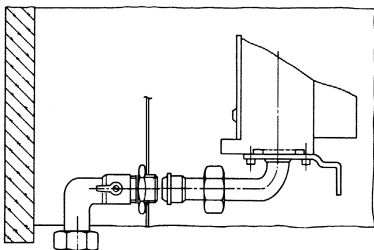
- 1 = Electrical cable entry
  - 2 = Gas supply
  - 3 = Domestic Hot Water outlet
  - 4 = Domestic Cold Water Inlet
  - 5 = Outlet Central Heating safety valve
  - 6 = Central Heating flow outlet
  - 7 = Central Heating return inlet
- 2 = 22 mm  
 3-4-5 = 15 mm  
 6-7 = 22 mm

- 4 Domestic Cold Water inlet 15 mm
- 6 Central Heating flow outlet 22 mm
- 7 Central Heating return inlet 22 mm

2 Gas 22 mm

3 Domestic Hot Water outlet 15 mm

5 Outlet central heating safety valve 15 mm



**Important Note** - Always use two spanners to prevent twisting of soft copper pipework.

**Note** - The central heating safety valve (5) should be piped 15 mm to discharge safely outside the property.

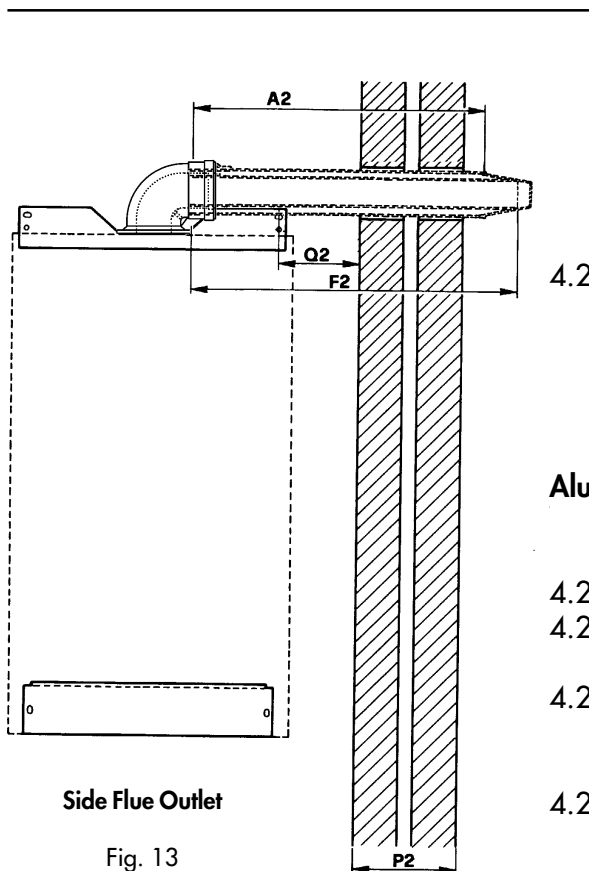
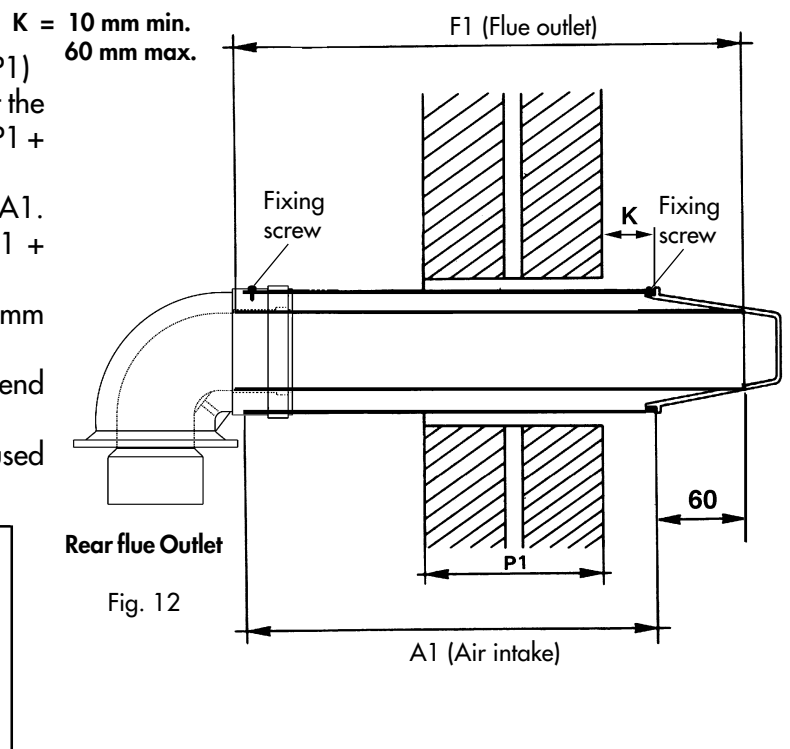
## 4.0 PREPARING THE FLUE ASSEMBLY

### 4.1 Rear Flue Outlet (fig. 12)

**Important** - The aluminium flue pipe must protrude into the outside grill by 60 mm, never cut it to the same length as the plastic air pipe (aluminium flue pipe = plastic air inlet pipe + 70 mm!).

**Aluminium flue pipe length = Plastic air inlet pipe length plus 70 mm longer.**

- 4.1.1 Accurately measure the Wall thickness (P1)
- 4.1.2 From the end opposite to the terminal, cut the plastic air duct (dimension A1) to length (P1 + 192 mm).  
**Note** - That the terminal is **not** included in A1.
- 4.1.3 Cut the aluminium flue duct to length (P1 + 262 mm) (dimensions F1).  
**Note** - The aluminium flue pipe must be 70 mm longer than the plastic air inlet pipe.
- 4.1.4 Drill a 3 mm hole 15 mm from the plain end of plastic air duct.
- 4.1.5 Place flue components to one side to be used later.



### 4.2 Side Flue Outlet (fig. 13).

**Important** - The aluminium flue pipe must protrude into the outside grill by 60 mm, never cut it to the same length as the plastic air pipe.

**Aluminium flue pipe length = Plastic air inlet pipe length plus 70 mm longer.**

- 4.2.1 Accurately measure the Wall thickness (P2).
- 4.2.2 Accurately measure the distance from the centre of the stud fixing of the mounting jig assembly to the side wall (Q2).
- 4.2.3 From the end opposite to the terminal, cut the plastic air duct (dimension A2) to length (P2 + Q2 + 180 mm).  
**Note** - That the terminal is **not** included in length A2.
- 4.2.4 Cut the aluminium flue duct to length (P2 + Q2 + 250 mm) (dimension F2).  
**Note** - The aluminium flue pipe must be 70 mm longer than the plastic air inlet pipe.
- 4.2.5 Drill a 3 mm hole 15 mm from the plain end of plastic air duct.
- 4.2.6 Place flue components to one side to be used later.

## 5.0 CONNECTING THE BOILER

- 5.1 Place the boiler on its back.
- 5.2 Remove the boiler base plate, four screws (fig. 16). Remove the plugs fitted to the boiler water connections. Remove the bag of sealing washers from the boiler pipework. Remove the front panel by gripping on both sides, sliding up and pulling away from the main boiler.
- 5.3 Lift boiler as shown in fig. 15 onto the fixing bolts and fit supplied nuts and washers.
- 5.4 Connect installation pipe work to boiler valves in the order shown in fig. 11.
- 5.5 Connect the pressure relief valve discharge pipe (15 mm) to the outside of the building, where possible over a drain. The discharge must be such that it will not be hazardous to occupants or passers-by cause damage to external electric components or wiring. The pipe should be directed towards the wall.

**It must not discharge above an entrance or window, or any type of public access. The installer must consider that the overflow could discharge boiling water.**

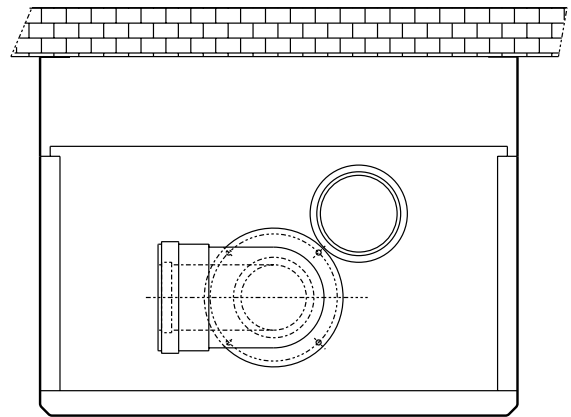


Fig. 14

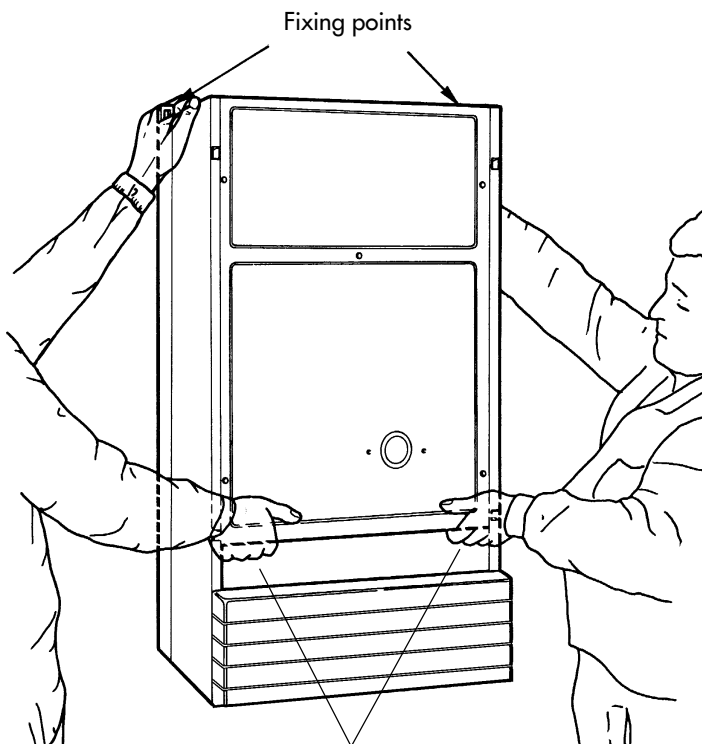


Fig. 15

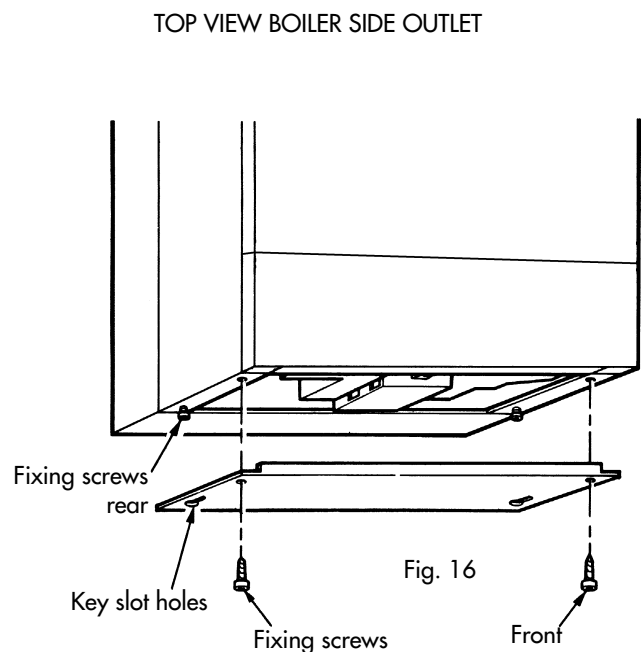


Fig. 16



## 6.0 FITTING THE FLUE ASSEMBLY

### 6.1 With Sufficient Clearance To Insert Assembly From Inside

- 6.1.1 Insert the flue assembly into the wall.
- 6.1.2 Insert the flue bend in the top plate of the boiler
- 6.1.3 Secure the flue bend.
- 6.1.4 Fully insert the flue assembly into the boiler flue bend. Insert the self tapping screw supplied. Fully tighten.
- 6.1.5 Check the terminal relationship with the wall as shown in fig. 12.
- 6.1.6 Make good internal wall face.
- 6.1.7 Make good the outside wall face, re-weatherproof.

### 6.2 With insufficient Clearance To Insert Assembly From Inside

- 6.2.1 Insert the flue bend in the top plate of the boiler
- 6.2.2 Secure the flue bend.
- 6.2.3 From outside, push flue duct, then the air duct through the wall.
- 6.2.4 Fully insert the flue duct into the flue bend, then the air duct. Secure the air duct with the self tapping screw provided.
- 6.2.5 Continue as detailed in 6.1.5 above.

## 7.0 ELECTRICAL INSTALLATION

Electrical installation must be carried out by a competent electrician. The appliance is to be connected to a 240 V ~ 50 Hz supply (see fig. 18). The supply fuse rating is 3A. The terminals are accessible after removing the white base plate and single screw securing the terminal cover (see fig. 18).

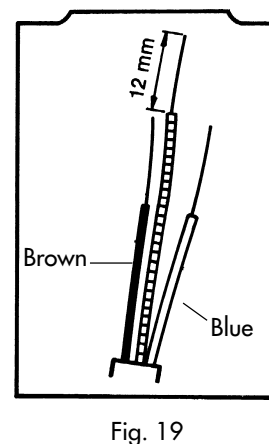
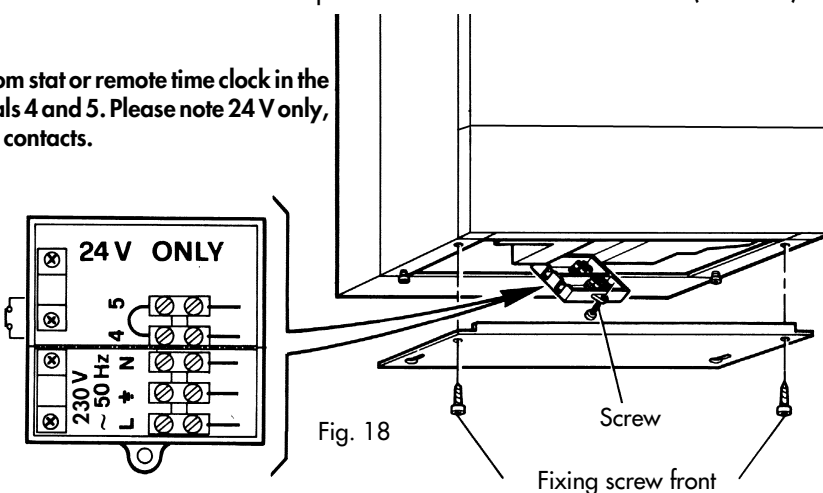
### 7.1 Procedure

- 7.1.1 The supply cable must be no less than 0.75 mm (24x0.2 mm) to BS6500 table 16.
- 7.1.2 The earth conductor must be cut longer than the live and neutral (fig. 19).  
Connect the Supply Cable to the terminal block marked 240 V ~ 50 Hz, L, N, the supply cable is to be connected as follows:
  - i) Connect the brown wire to the L (live) terminal).
  - ii) The blue wire to the N (neutral) terminal.
  - iii) The green/yellow wire to the (earth) terminal.
- 7.1.3 Secure the cable with the cable clamp. The supply cable can be connected to the mains supply by the use of an unswitched shuttered socket-outlet in conjunction with the 3A fused 3 pin plug both in accordance with BS 1363. This provides complete isolation. Alternatively, a fused double pole switch having a contact separation of at least 3 mm, in all poles and provided just for the boiler and its external controls can be used. A wiring diagram is provided on the appliance, attached to the rear of the front panel. In addition, there is one in this manual (fig. 25). Attention is drawn to the requirements of the current I.E.E. Regulation and in Scotland, the electrical provisions of the Building regulations.
- 7.2 **Room Thermostat** (fig. 18) (or remote time clock connection)
  - 7.2.1 Please note that the room thermostat, clock switch connection is 24 V. To connect mains voltage to these terminals will seriously damage the printed circuit board. The room thermostat and clock switch connector block is situated within the connector box. Twin core cable should be used for this connection (terminals 4 and 5).
  - 7.2.2 If using a remote 240 Volt time clock ensure that the motor and switch connections are totally separate in the clock and that the switch connections are independent for the 24 Volt terminals (4 and 5) on the boiler.

External controls: room stat or remote time clock in the place of loop terminals 4 and 5. Please note 24 V only, use only voltage free contacts.

### IMPORTANT

If 230V is connected to terminals 4 or 5, damage will be caused to the P.C.B.



## 8.0 COMMISSIONING AND TESTING

### 8.1 Filling the Central Heating System

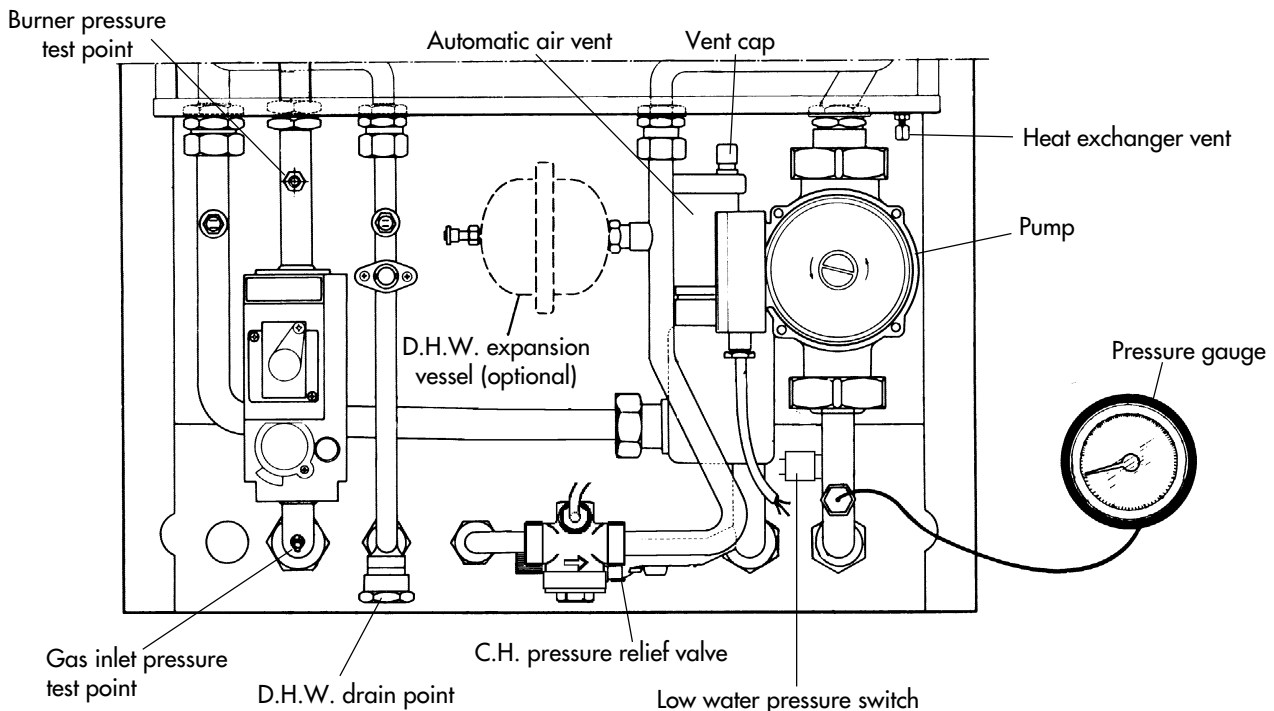


Fig. 20

Remove the top front panel by gripping both sides and lifting forward away from main boiler assembly. Loosen the cap of the automatic air vent (fig. 20) and leave it loose. Open the central heating flow and return cocks (fig. 11). Gradually fill the system as detailed in Make up Water. While filling, vent the heat exchanger at venting point by loosening cap (fig. 20) and vent each radiator. Tighten cap on heat exchanger air vent. Ensure the working pressure, when filled, is between 1 to 1.5 bar on the pressure gauge (see technical data). Check the system for leaks. Flush out system in accordance with B.S. 7593

### 8.2 Filling the Domestic Hot Water System

Close all hot water draw off points. Open main cold water stop cock and ensure the cold water inlet cock is open at the boiler jig bracket (fig. 11). Slowly open each hot tap in turn until clean water, free from air pockets, is seen. Check system for leaks.

### 8.3 Electricity Supply

Carry out preliminary checks (i.e. earth continuity, polarity short circuit and resistance to earth using a suitable multimeter).

### 8.4 The Gas Installation

The whole of the gas installation including the meter, should be inspected and tested for soundness, and purged in accordance with the recommendations of BS6891-1988.

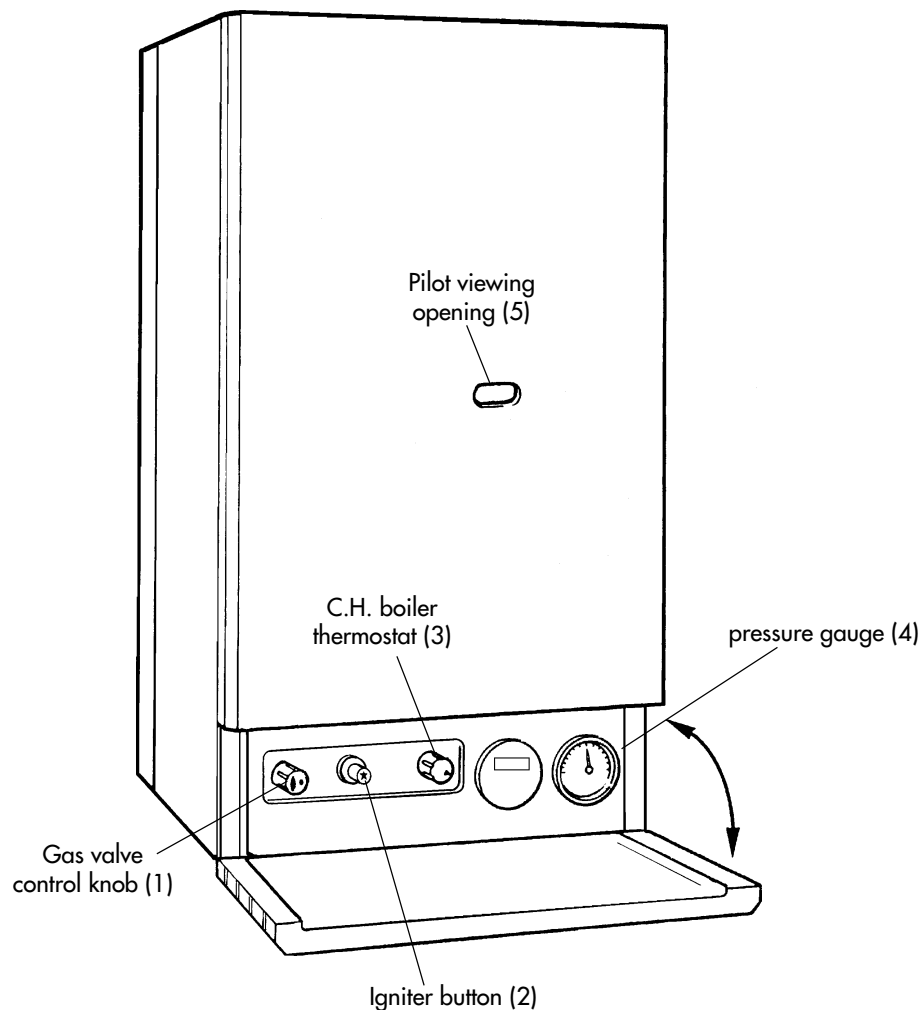


fig. 21

## 8.5 To Light the Boiler (fig. 21)

1. Before lighting check central heating system pressure is at 1 bar. (4).
2. Ensure electric, gas and water mains are on valves on the boiler are open.
3. Set any room thermostat/external controls to "ON" position.
4. Set boiler thermostat (3) to maximum.
5. Fan in the boiler will increase in speed. (Wait **30** seconds).
6. Depress gas control knob (1) fully and keep depressed.
7. Press igniter button (2) repeatedly until pilot flame lights. (View through pilot inspection window (5)).
8. Once pilot flame is lit keep gas control knob fully depressed for **20** seconds.
9. Release gas control knob (1) and main burner will light.

**Notes:** After using hot water the central heating will not light for at least two minutes.  
Domestic hot water is available at any time, once the boiler is lit.

## Burner Pressure C.H. and D.H.W.

### 8.6 To Range Rate the Boiler C.H.(not required on standard installations)

The boiler can be range rated for an output from 9.7 kW up to 23.3 kW. When the boiler is supplied it is factory set at the maximum output 23,3 kW.

#### Procedure

- Release the control panel fixing screws (fig. 30) and lower panel.
- Loosen the screw in the burner pressure test point (fig. 22) and attach a gauge.
- Switch on the electricity supply to relight the main burner.

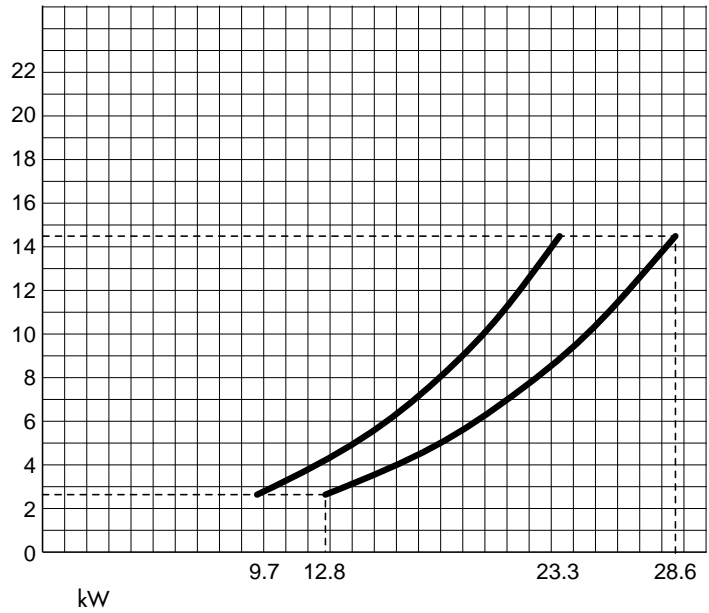
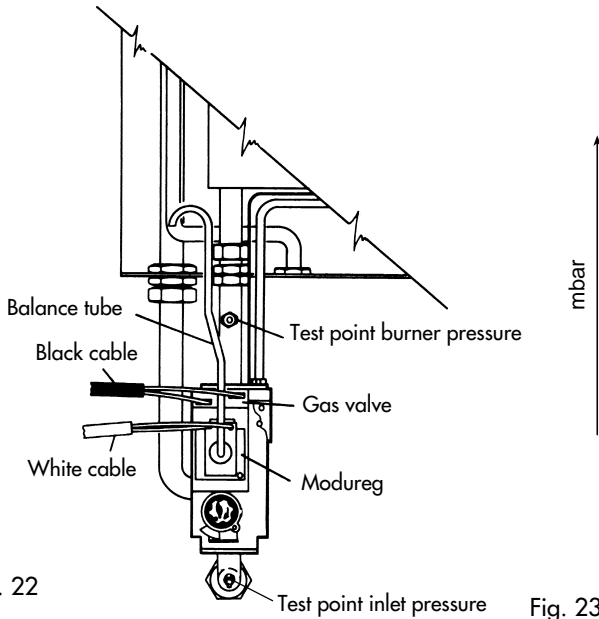


Fig. 22

Fig. 23

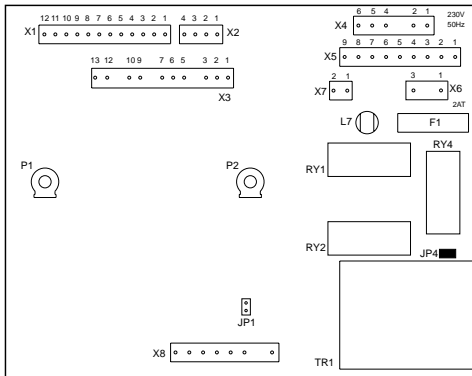
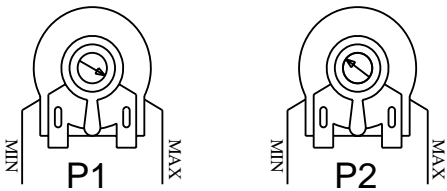


Fig. 24

**Note 1** - Modulation is available on central heating, so the procedures must be carried out while the system is relatively cold. Recheck boiler thermostat is set to maximum.

d. Adjust the potentiometer P1 on the PCB (fig. 24) in the control panel until the required burner pressure is obtained (Anticlockwise to reduce the pressure).

**Note 2** - The range of inputs with corresponding burner pressure is given on the Data badge which is situated behind the top front panel. Further informations is on (fig. 23).

e. With the pressure set, turn off the electrical supply and mark the set input on the Data badge (with sticker supplied).

#### Burner Pressure C.H. and D.H.W.

**P1** = C.H. range rating to be set on site (if required)

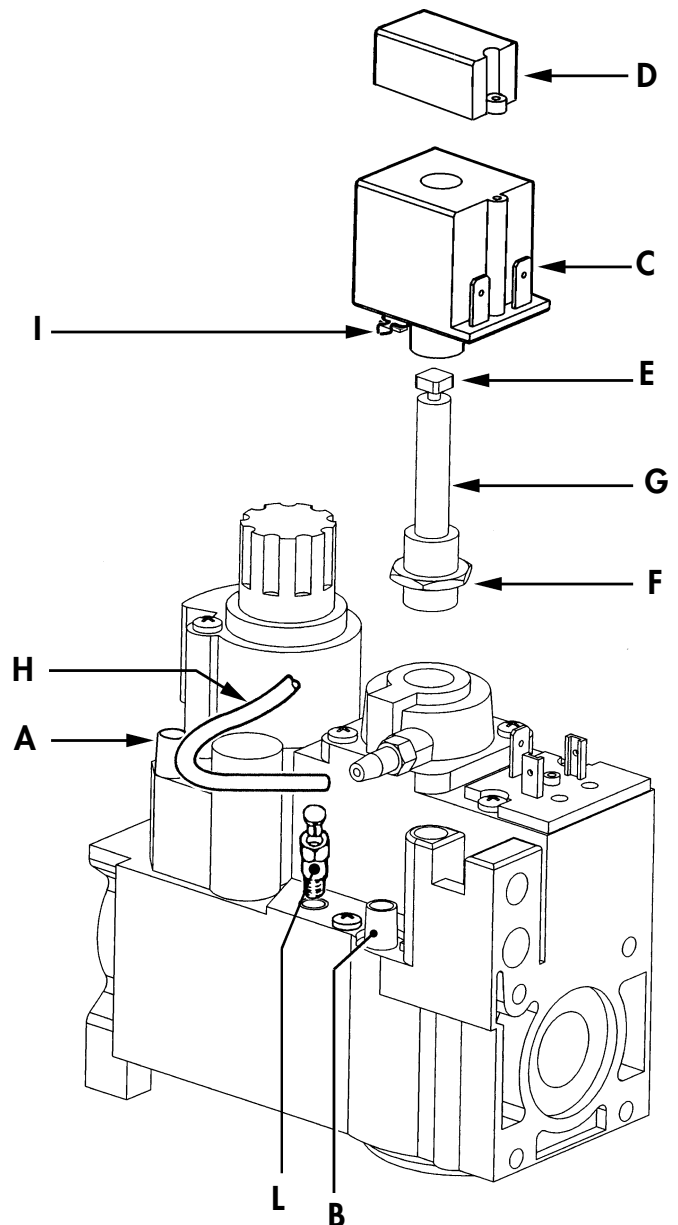
**P2** = D.H.W. temperature (factory set, not be adjusted)

| Pressure settings | Minimum | Maximum |
|-------------------|---------|---------|
|                   | mbar    | mbar    |
| Natural Gas       | 2.7     | 14.5    |
| L.P.G.            | 7.9     | 36.0    |

## Honeywell VR 4600 N 4002 valve (code 3680252/0) with V7335A4014 Modureg (code 3680254/0)

### Gas pressure Adjustment

- 1 - **With the burner lit:**
- 2 - Connect suitable pressure gauge to burner test point "B", and then:
- 3 - Disconnect air pressure compensation tube "H";
- 4 - Disconnect the wires from coil "C" of the Modureg;
- 5 - Remove protective cover "D";
- 6 - Remove coil "C" by opening the coupling spring "I";
- 7 - Screw the minimum adjustment screw "E" up tightly. (clockwise)
- 8 - Unscrew lock nut "F" on sleeve "G";
- 9 - Adjust maximum pressure by rotating sleeve "G" clockwise to increase pressure and anticlockwise to reduce pressure;
- 10 - Tighten sleeve lock but "F" then check that the pressure is still at the required value;
- 11 - Adjust minimum pressure by rotating screw "E" anticlockwise until the required value is reached;
- 12 - Fit coil "C" by sliding it into the sleeve, pushing and rotating it lightly until the coupling spring "I" clicks into place;
- 13 - Shut down and ignite the burner, checking that the minimum pressure value is stable;
- 14 - Reconnect the wires to coil "C" of the Modureg;
- 15 - Reconnect air pressure compensation tube "H";
- 16 - Replace protective cover "D";
- 17 - Turn burner off, remove pressure gauge, close and test, test point;

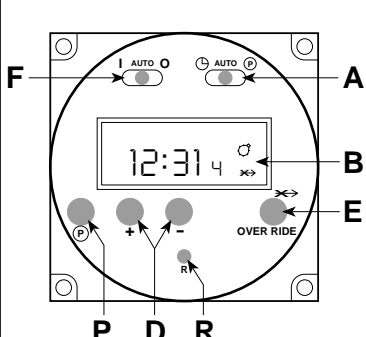


#### Key

- A - Test point inlet pressure
- B - Burner test point
- C - Coil
- D - Protective cover
- E - Minimum adjustment screw
- F - Lock nut
- G - Sleeve
- H - Pressure compensation tube
- I - Coupling spring
- L - Adapter (for only LPG version)

## 8.7 Time Clock

A 24 hour time clock is fitted to the boiler to control the central heating, this will come into operation when the selector switch is turned to the position marked "heating timed and hot water".



**A** Slide switch: set clock - auto - set programme  
**B** Display. Symbol ☉ in Display = Timer ON  
**P** Select programme ON/OFF 1.....8  
**D** Push buttons Time + Time -  
**E** Override: Boiler will switch ON if boiler is OFF; and OFF if is ON  
**F** I=Heating continuous - AUTO=Heating timed - O=Heating disabled  
**R** Reset (with pencil) only with switch **A** in set clock position

### To set time of day

1. Slide switch (**A**) to left position
2. Using button + and - adjust until the correct time is shown on display (**B**).

**Pre Set Programmes.** The timer is pre programmed with 3 ON and 3 OFF times.

6:30 - 8:30  
 12:00 - 12:00  
 16:30 : 23:30

If these are suitable no programming is required and the slide switch (**A**) can be moved to the Auto position and the central heating will be ON for these periods. (12:00 - 12:00 will not switch on the boiler)

### To Set Own ON and OFF times. Symbol ☉ in Display = ON time

1. Slide switch (**A**) to right position (**P**)

Display 6:30 1 ☉

2. Press button (**P**)

Display 8:30 2

3. Press button (**P**)

Display 12:00 3 ☉

4. Press button (**P**)

Display 12:00 4

5. Press button (**P**)

Display 16:30 5 ☉

6. Press button (**P**)

Display 22:30 6

7. The timer can be programmed with up to 8 ON and 8 OFF times by repeating the above procedure.

- 1.1 Use buttons + and - to set 1st ON time eg. 6:00

Display 6:00 1 ☉

- 2.1 Use buttons + and - to set OFF time, eg. 9:00

Display 9:00 2

- 3.1 Use button + and - to set 2nd ON time, eg. 12:30

Display 12:30 3 ☉

- 4.1 Use button + and - to set 2nd OFF time eg. 14:00

Display 14:00 4

- 5.1 Use button + and - to set 3rd ON time, eg. 16:00

Display 16:00 5 ☉

- 6.1 Use button + and - to set 3rd OFF time eg. 23:30

Display 23:30 6

8. On completion of programming slide switch (**A**) to Auto position, the time of day will be displayed and the central heating will switch ON and OFF according to the programme set.

## Over ride

By pressing the over ride button (E) the timer programme is over ridden ie, if programme is in OFF time it will come ON and if in ON time will go OFF.

The timer will revert back to it set programme on reaching the next ON or OFF time.

When the programme is on over ride the sign  $\times \rightarrow$  will be shown in the display window (B).

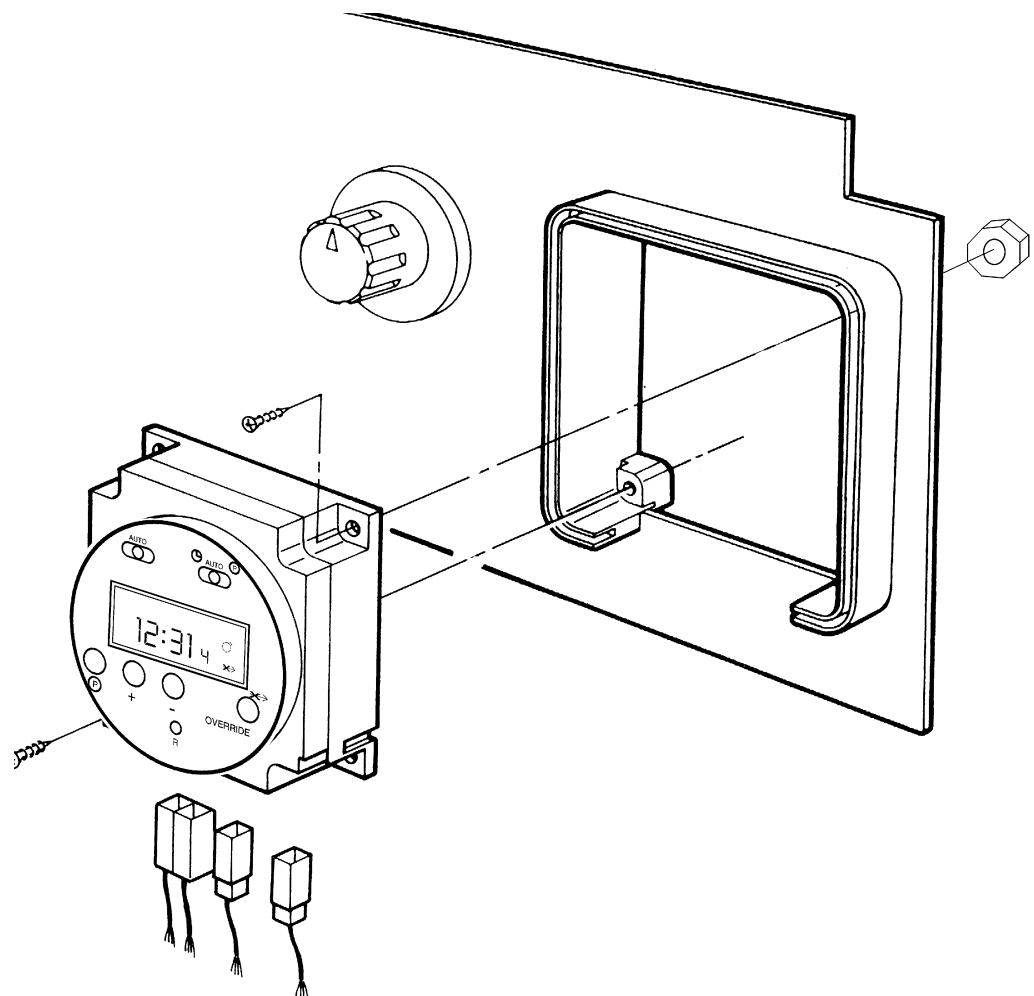
## **Reset Button**

By the use of a pencil the reset button can be pushed (R). This will clear all programmes apart from those factory pre set.

**Reset is only possible with switch (A) in set Clock position!**

## **8.8 REMOVAL OF THE CLOCK**

- Refer to section 1, items a, c, d, f and j.
- Disconnect the electrical connections to the time clock.
- Remove the time clock from the control panel (fig. 43).
- Re-assemble in reverse order (refer to fig. 43 for replacement of the time clock).



## 8.7 D.H.W. Burner Pressure

The domestic hot water burner pressure is not range rateable and not adjustable but the maximum and minimum burner pressure should be checked as follows:

- a. Check electricity supply is still off.
- b. Open a D.H.W. tap at high flow until the water runs cool and leave running.
- c. Switch on the electricity supply.
- d. The pressure should be 14.5 mbar  $\pm$  0.5 mbar.
- e. Disconnect one of the wires from the «Modureg» (fig. 22), this will reduce the burner to minimum which should read 2.7 mbar  $\pm$  0.5 mbar. If the burner pressure is not as stated check the inlet pressure (fig. 22) which should be minimum 20 mbar. If that is correct, consult Ferroli. No attempt should be made to alter D.H.W. burner pressure.
- f. Switch off electrical supply and close hot tap.
- g. Reconnect the wire to the «Modureg». Remove pressure gauge, tighten the test screws.
- h. Replace control panel (2 screws).
- i. Turn on electricity supply, open a hot tap to full flow and when the burner lights, test for gas soundness with a leak detection fluid around the gas valve and connections including the pressure test point screws.

**Note** - The cutting of the electricity supply may result in the pilot being extinguished - re-light if need be, after waiting three minutes at least.

## 9.0 SYSTEM OPERATION

Let the boiler operate normally on central heating for about 30 minutes.

- I) Vent radiators.
- II) Vent heat exchanger.
- III) Examine all pipework for leakage.
- IV) Turn on a D.H.W. tap and check that the C.H. pump stops running.
- V) As the D.H.W. temperature reaches 60°C check the burner for modulation.  
Turn the gas valve «off», (twist left hand white button 1/12th turn clockwise and release), and isolate electricity supply.  
Drain down the central heating system fully, when hot. Following BS 1593 1993  
Refill the system as previously instructed. Repeat the venting.  
Examine the system's water pressure and top up as necessary.  
Replace the casing front panel and close the control panel cover.

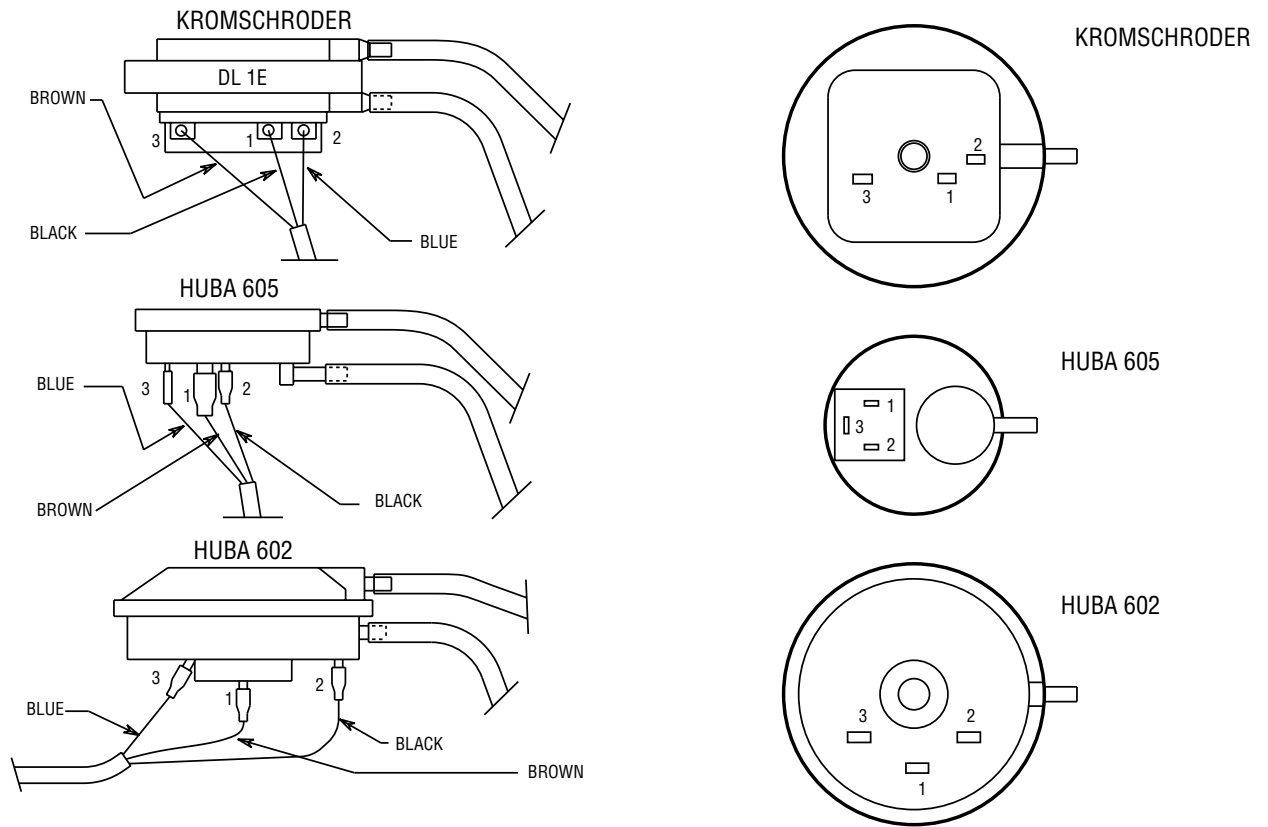
## 10.0 HANDING OVER TO THE USER

After completion of installation and commissioning of the system:

- a. Hand over the User's Instructions' to the Householder and explain His/Her responsibility under the Gas safety (Installation and Use) Regulations 1994.
  - b. Explain and demonstrate the lighting and shutting down procedure.
  - c. Explain the operation of the boiler including the use and adjustment of ALL system controls.  
Advise the User of the precautions necessary to prevent damage to the system and to the building, in the event of the system remaining inoperative during frost conditions.
  - d. Stress the importance of regular servicing by a qualified Heating Engineer and that a comprehensive service should be carried out at LEAST ONCE A YEAR.
-

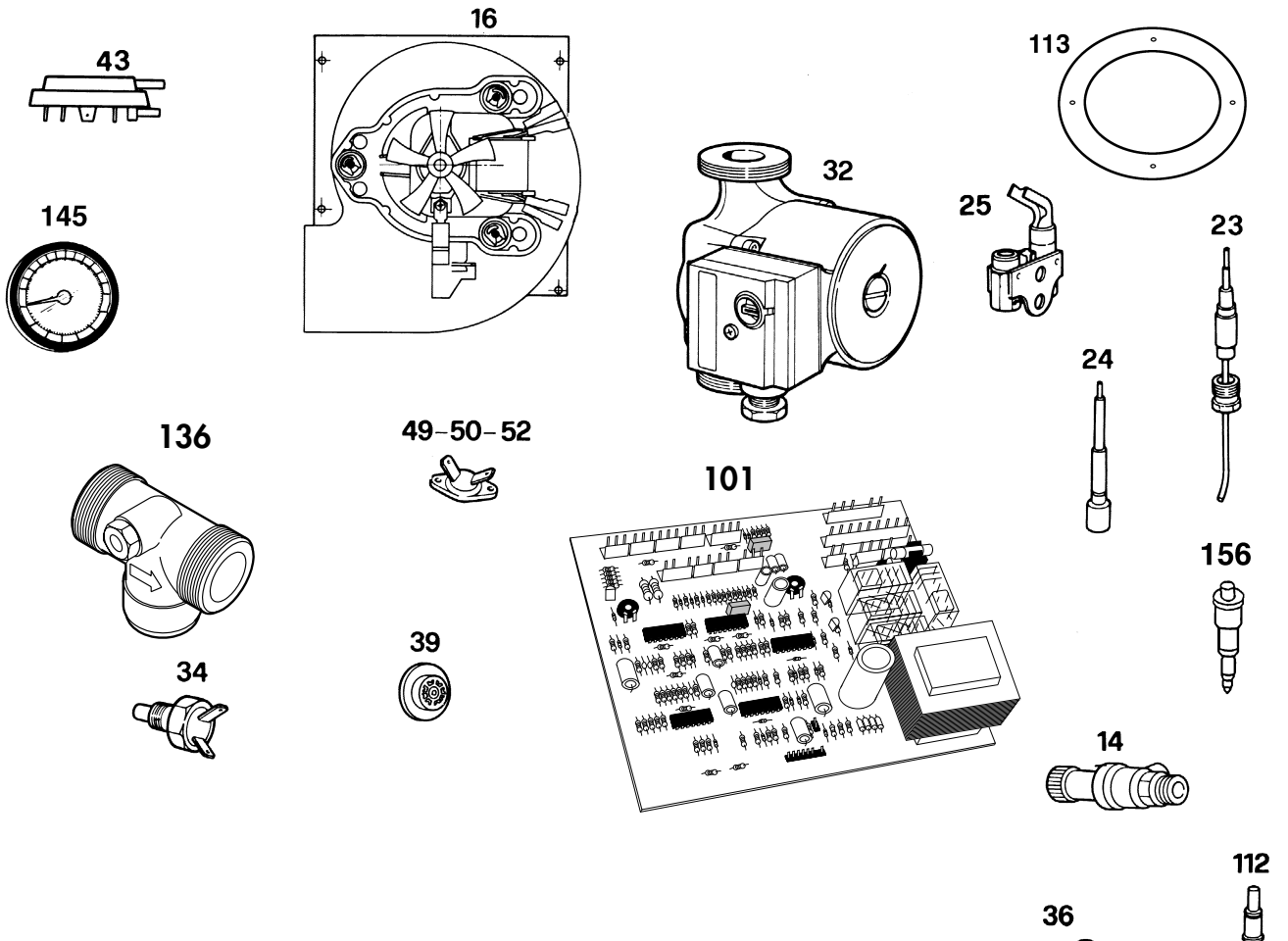


## 11.0 AIR PRESSURE SWITCH



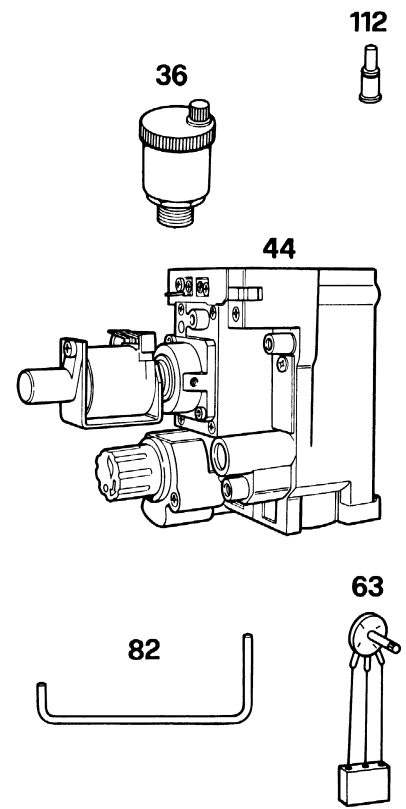
Brown - Common  
 Black = N.C.  
 Blue = N.O.

Fig. 46



## Spare Parts List

| Item No. | G.C. Part No. | Makers Part No | No. Off | DESCRIPTION                     |
|----------|---------------|----------------|---------|---------------------------------|
| 14       | 386816        | 800130         | 1       | C.H. safety valve               |
| 16       | -             | 803860         | 1       | Complete fan                    |
| 21       | 372176        | 815850         | 4       | Main injector (Natural Gas)     |
| 21       | -             | 800920         | 4       | Main injector (L.P.G.)          |
| 23       | 390210        | 801170         | 1       | Thermocouple                    |
| 24       | -             | 801090         | 1       | Spark electrode                 |
| 25       | -             | 801900         | 1       | Pilot                           |
| 32       | -             | 800620         | 1       | Central heating pump            |
| 34       | 386818        | 800310         | 2       | Temperature sensor              |
| 36       | 394246        | 801160         | 1       | Automatic air vent              |
| 39       | 386829        | 801220         | 1       | Cold water flow limiter         |
| 43       | 379351        | 800140         | 1       | Air pressure switch             |
| 44       | 372544        | 803450         | 1       | Combination gas valve           |
| 49       | 386815        | 801240         | 1       | Overheat cut-off thermostat     |
| 50       | 386577        | 800160         | 1       | Heat exchanger limit thermostat |
| 101      | -             | 803410         | 1       | P.C.B. VMF7                     |
| 112      | 386573        | 810570         | 1       | Pilot injector (Natural Gas)    |
| 112      | -             | 810660         | 1       | Pilot injector (L.P.G.)         |
| 113      | -             | 823071         | 1       | Special two pipe flue adapter   |
| 136      | -             | 803430         | 1       | Flowmeter                       |
| 145      | -             | 840187         | 1       | Pressure gauge                  |
| 156      | -             | 803440         | 1       | Piezo igniter                   |



## Domestic Hot Water Performance

**Fig. 1 - D.H.W. Pressure Drop VS. flow**  
 A = Standard with col water Flow Restrictor  
 B = Cold Water Flow Restrictor Removed

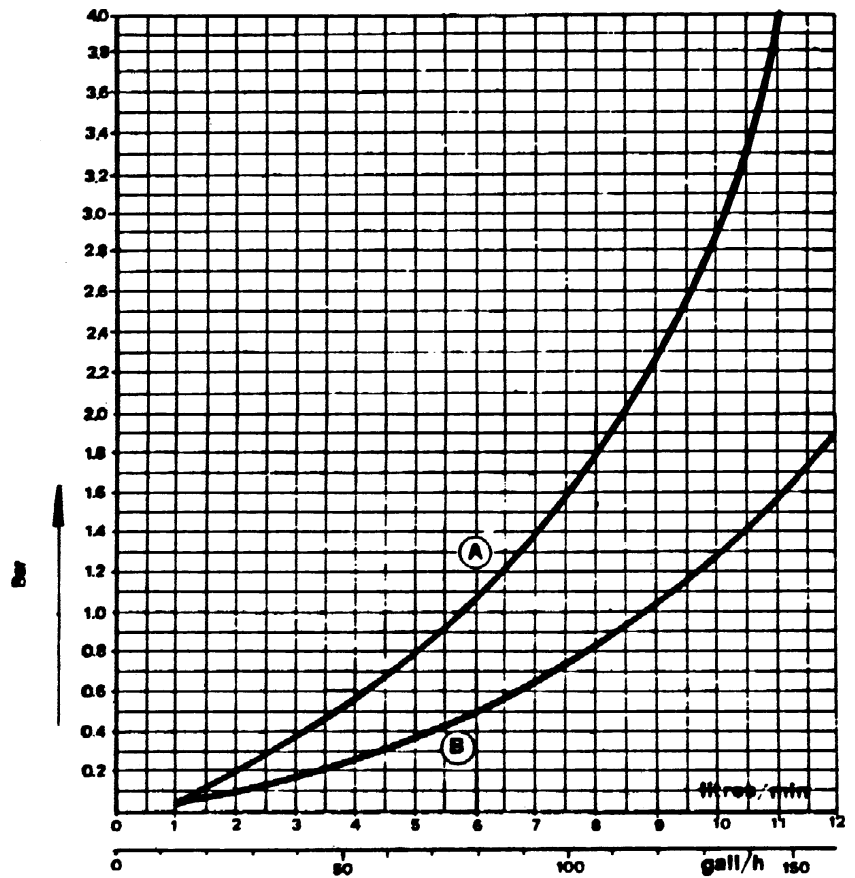


Fig. 1

**Fig. 2 - D.H.W. temperature VS. flow**  
 A = Cold Water 15°C  
 B = Cold Water 5°C

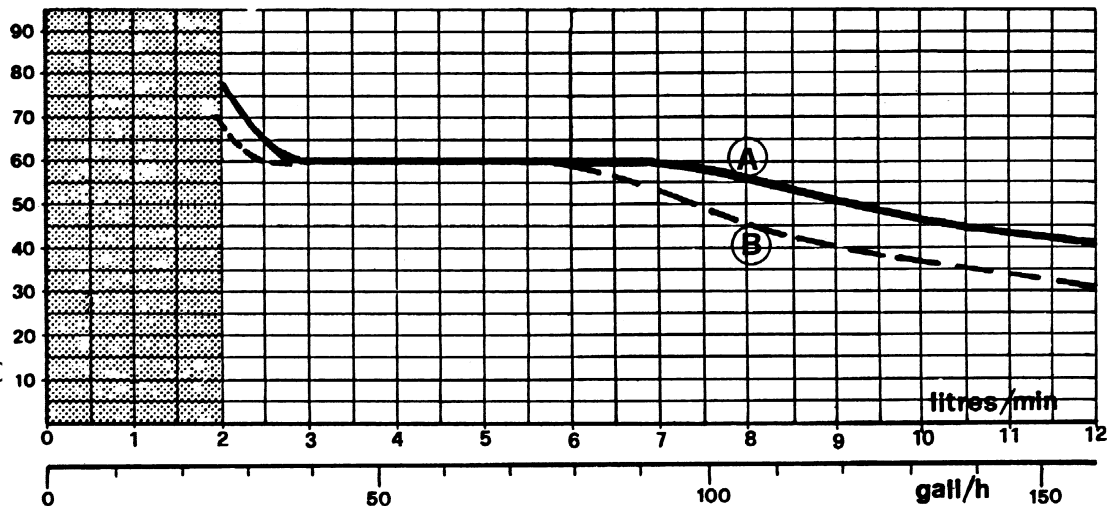
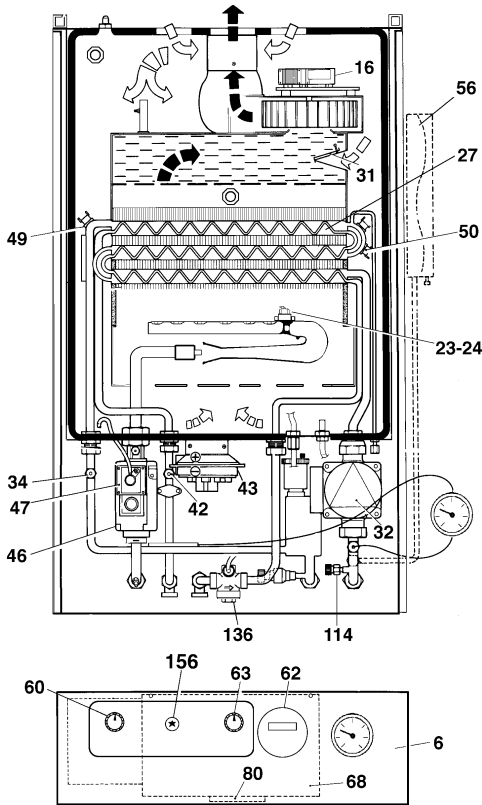
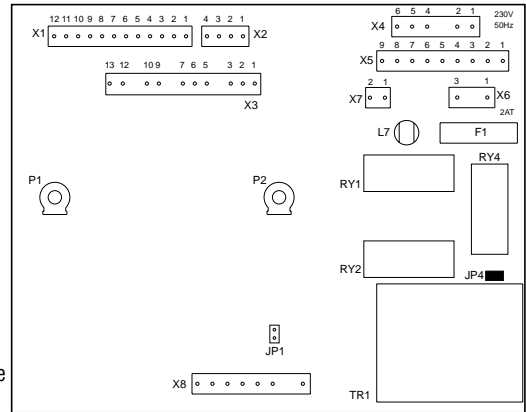


Fig. 2



- 16 Fan
- 23 Thermocouple
- 24 spark electrode
- 31 Air pressure control damper
- 32 Central heating pump
- 34 C.H. flow temperature sensor
- 42 D.H.W. temperature sensor
- 43 Air pressure switch
- 46 Operator gas valve
- 47 Modulating regulator (Modureg) gas valve
- 49 Overheat cut-off thermostat
- 50 Heat exch. limit thermostat
- 52 D.H.W. limit thermostat
- 60 Extended control knob gas valve
- 62 Time clock
- 63 C.H. boiler thermostat
- 68 Control box with P.C.B.
- 72 Room thermostat (not fitted)
- 80 240V + 24V roomstat terminal blocks
- 114 Water pressure switch
- 136 Flowmeter
- 145 C.H. pressure gauge
- 156 Piezo-igniter



**JP1 - JP4 Jumper links on P.C.B.**

**JP1** Is not required

**JP4** Must be fitted

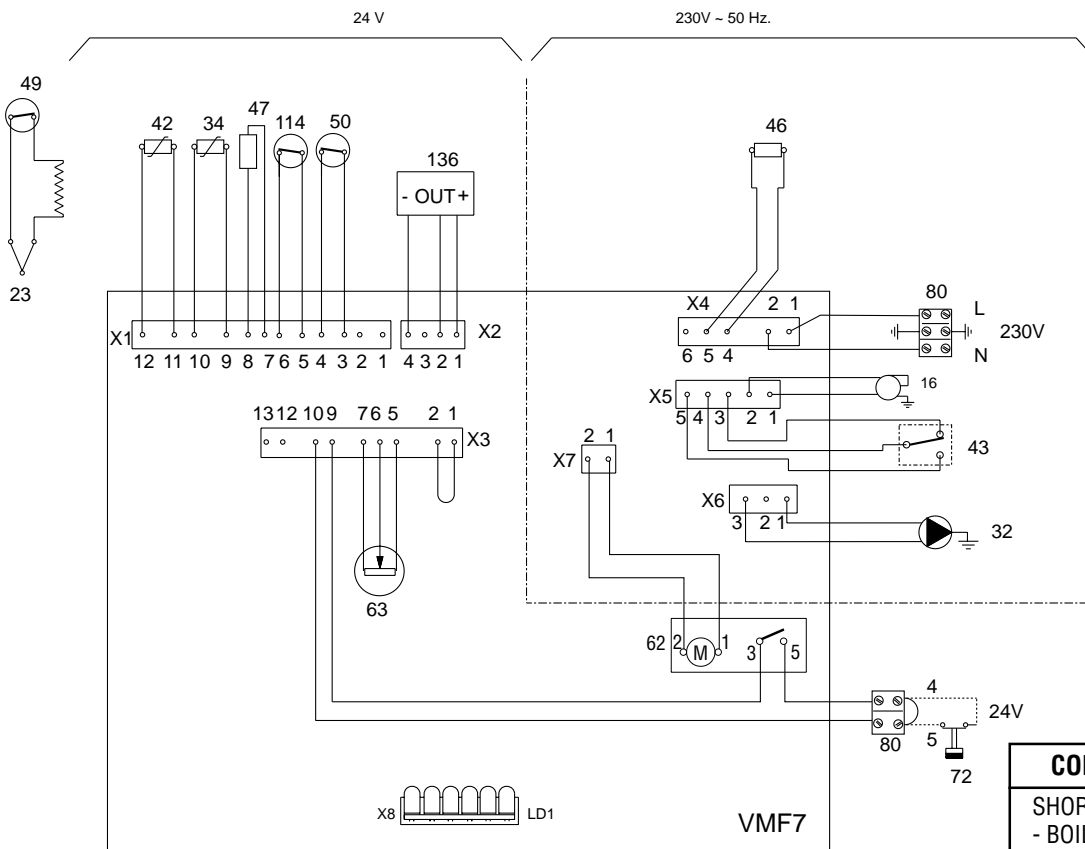
**P1** = C.H. max. output

**P2** = D.H.W. temperature (factory set)

**NOTE:**

**THE TRANSFORMER ON THE P.C.B. HAS A BUILT-IN OVERHEAT PROTECTION.**

**IF THIS IS OPEN, ALL LED'S WILL BE OFF BUT THE C.H. PUMP (32) WILL RUN SWITCH OFF THE BOILER FOR AT LEAST 20 MINUTES**



**CONNECTOR X2**  
A D.H.W. FLOW-SWITCH (ON-OFF) CAN BE CONNECTED TO TERMINALS 1 AND 3

**CONNECTOR X3**  
SHORT CIRCUIT 12-13  
- BOILER STARTS FOR C.H.  
- WAITING TIME IS EXCLUDED  
- MAX BURNER PRESSURE C.H. CAN BE CHECKED/SET WITH P1

**CONNECTOR X7**  
1-2 = 230 V

## General Notes

\*The pilot light should only be ignited after the Fan (16) has run for at least 20 seconds on full speed.

\*The central heating pump (32) will run to disperse heat if the temperature at the heat exchanger limit thermostat (50) is too high

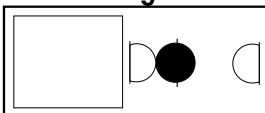
\*Fuse on P.C.B.: 2 Amp.

| Jumpers JP1 - JP4 |                                 |                                    |
|-------------------|---------------------------------|------------------------------------|
|                   | Fitted                          | Not fitted                         |
| JP1               | No waiting time                 | Waiting time on                    |
| JP4               | Fan control<br>High & Low speed | Fan control<br>High speed only/off |

| Temp. sensor | temp.    | Ohm     |
|--------------|----------|---------|
|              | 10° C    | 890 ohm |
| 25° C        | 1000 ohm |         |
| 60° C        | 1300 ohm |         |
| 80° C        | 1490 ohm |         |

| LED n° | signification:  |
|--------|---|
| 1      | Mains on/low voltage on   |
| 2      | Flowmeter (136) on  |
| 3      | Central heating room thermostat (72) / clock (62) calling   |
| 4      | Sensor (34) or (42) calling for heat  |
| 5      | Central Heating waiting time, max. 3 minutes delay following shut off<br>Boilerstat (63), Clock (62), Roomstat (72) or use of Hot Water |
| 6      | Demand for heat - relay (RY2) will be energised   |
| 7      | Air pressure switch (43) on, air flow checked   |

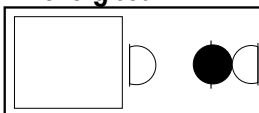
### RY not energised



### RELAY RY

|     |                      |
|-----|----------------------|
| RY1 | central heating pump |
| RY2 | on/off relay         |
| RY3 | -                    |
| RY4 | fan                  |

### RY energised



### Note

If RY1 is not energised the Central Heating pump will run

Check operation using LED's as a fault finding guide. First check section A, then B, then C, then D.

0 = LED off

1 = LED on

x = LED either on/off is not important

| A | Domestic Hot water tap open (Flow rate greater than 2,5 l/min) |    |  | POSSIBLE CAUSE OF FAULT |   |
|---|--|----|--|-------------------------|---|
|   | LED  | OK | FAULT  |                         |   |
|   | 1  | 1  | 0  |                         | No mains electricity/switches off/fuse blown.                     |
|   | 2  | 1  | 0  |                         | D.H.W. flowmeter (136) not operating.                             |
|   | 3  | X  | X  |                         | Not required for D.H.W.   |
|   | 4  | 1  | 0  |                         | - D.H.W. sensor (42) not connected or D.H.W. temperature too high |
|   | 5  | 0  | 1  |                         | - Waiting time operating: replace P.C.B.                          |
| 6 | 1  | 0  | Short circuit on D.H.W. sensor (42) or resistance lower than 500 Ohm<br>- C.H. limit thermostat (50) open circuit (pump run)<br>- C.H. water pressure low (114 open circuit) |                         |   |

| B | CENTRAL HEATING ON Room stat (72) at Max, HW tap closed |    |  | POSSIBLE CAUSE OF FAULT |   |
|---|---|----|--|-------------------------|---|
|   | LED   | OK | FAULT  |                         |   |
|   | 1   | 1  | 0  |                         | No main electricity/switches off, fuse blown.   |
|   | 2   | 0  | 1  |                         | Hot water tap open - D.H.W. flowmeter (136) contact closed  |
|   | 3   | 1  | 0  |                         | Roomstat (72) or clock (62) not calling for heat  |
|   | 4   | 1  | 0  |                         | - Central heating sensor (34) not connected or<br>- boiler temperature too high or<br>- boiler thermostat (61) below CH temperature |
|   | 5   | 0  | 1  |                         | Waiting time still operating (max. 3 minutes)   |
| 6 | 1   | 0  | - C.H. sensor (34) short circuit or resistance lower than 500 ohm<br>- C.H. limit thermostat (50) open circuit (pump will run)<br>- C.H. water pressure low (114 open circuit) |                         |   |

| C | GENERAL TEST FOR D.H.W. AND CENTRAL HEATING (First check A and B above) |           |               | POSSIBLE CAUSE OF FAULT |  |
|---|---|-----------|---------------|-------------------------|--|
|   | LED/REL.  | OK        | FAULT         |                         |  |
|   | RY2   | energised | not energised |                         | Check first A and B above  |
|   | RY4   | energised | not energised |                         | Air pressure switch (43) not in NC position or miswired:<br>- check wiring   |
|   | 7   | 1         | 0             |                         | - fan (16) at low speed remove jumper JP4<br>- fan (16) not running at full speed or<br>- air flow too low:<br>- air pressure switch (43) faulty |

| D | IGNITION OF PILOT |   | PUSH PIEZO IGNITER SEVERAL TIMES |  |
|---|-------------------|---|----------------------------------|--|
|   | 1                 | Fan (16) should run at full speed for at least 20 seconds (open hot tap or set controls so boiler is calling for heat). | 3                                | Push ignition button (60) fully in               |
|   | 2                 | Check first A, B and C above  | 4                                | Check spark and position of spark electrode (24) |







ALL SPECIFICATIONS SUBJECT TO CHANGE

PO BOX 3774  
SUTTON COLDFIELD  
WEST MIDLANDS  
B76 8BH  
Tel.: 08707 282 885

---