



Logic IPF Convector Fire

Instructions for Use, Installation and Servicing

For use in GB, IE (Great Britain and Eire)

IMPORTANT

Do not attempt to burn rubbish on this fire. This fire has a naked flame.
A suitable guard should be used for the protection of young children, the elderly or infirm.

This appliance is intended for decorative purposes only.

Please read these instructions carefully and keep them in a safe place.
They will be needed when servicing the fire.

The commissioning sheet on page 3 **MUST** be completed by the Installer.

Covering the following models

Convector

8316MC

8316PB

P8316MC

P8316PB

CONTENTS

	PAGE
APPLIANCE COMMISSIONING CHECKLIST	3
USER INSTRUCTIONS	4
INSTALLATION INSTRUCTIONS	9
Technical Specifications	9
Site Requirements	10
Installation	12
Commisioning	22
SERVICING INSTRUCTIONS	22
Servicing Requirements	22
Fault Finding	23
How to replace parts	25
Basic spare parts list	31

APPLIANCE COMMISSIONING CHECKLIST

IMPORTANT NOTICE

Explain the operation of the appliance to the end user, hand the completed instructions to them for safe keeping, as the information will be required when making any guaranteed claims.

FLUE CHECK	PASS	FAIL
1. Flue is correct for appliance		
2. Flue flow test		
3. Spillage test		
GAS CHECK		
1. Gas soundness & let by test		
2. Standing pressure test	mb	
3. Appliance working pressure (on High Setting) NB All other gas appliances must be operating on full	mb	
4. Gas rate	m ³ /h	
5. Does ventilation meet appliance requirements		

DEALER AND INSTALLER INFORMATION

Dealer.....

Installation Company.....

Contact No.....

Engineer.....

Date of Purchase.....

Contact No.....

Model No.....

Corgi Reg No.....

Serial No.....

Date of Installation.....

Gas Type.....

This product is guaranteed for 2 years from the date of installation, as set out in the terms and conditions of sale between Gazco and your local Gazco dealer. **This guarantee will be invalid, to the extent permitted by law, if the above Appliance Commissioning Checklist is not fully completed by the installer and available for inspection by a Gazco engineer.** The guarantee will only be valid during the second year, to the extent permitted by law, if the annual service recommended in the Instructions for Use has been completed by a Corgi registered engineer, and a copy of the service visit report is available for inspection by a Gazco engineer.

USER INSTRUCTIONS

1. GENERAL

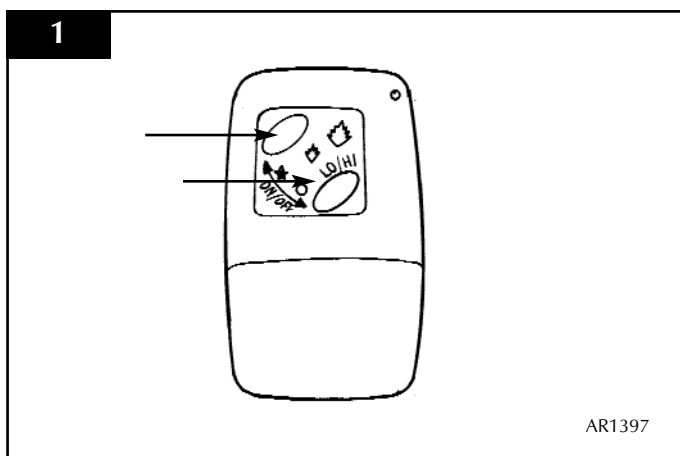
- 1.1 Installation and servicing must only be carried out by a competent person.
- 1.2 In all correspondence, please quote the appliance type and serial number, which can be found on the databadge adjacent to the control knob.
- 1.3 Ensure that curtains are not positioned above the fire, and that there is a 300mm minimum clearance between the sides of the fire and any curtains.
- 1.4 This product is guaranteed for 2 years from the date of installation, as set out in the terms and conditions of sale between Gazco and your local Gazco dealer. Please consult with your local Gazco dealer if you have any questions. In all correspondence always quote the Model Number and Serial Number.
- 1.5 Parts of this appliance become hot during normal use. It is therefore recommended that a suitable fire guard be used for protection of young children and the infirm.

2. LIGHTING THE FIRE

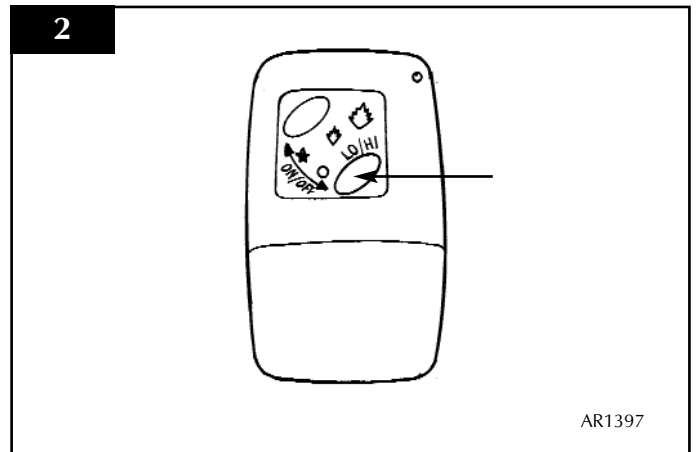
The are two methods for lighting the appliance. One method is using the remote control hand set, the other is using the touch pad situated beneath the appliance on the right hand side.

REMOTE CONTROL

- 2.1 Press and continue to hold the two buttons to start the ignition sequence. Once the pilot has begun to spark the buttons can be released. After approximately ten seconds the main burner will light on high. See diagram 1.

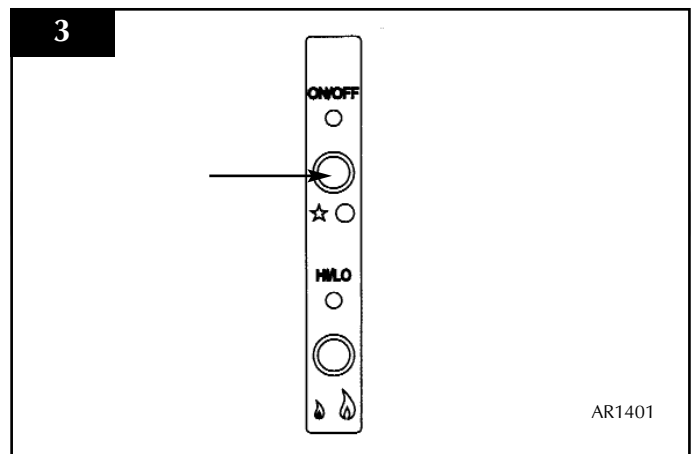


- 2.2 To control the flames between high and low, press the lower button once in each case. See diagram 2.

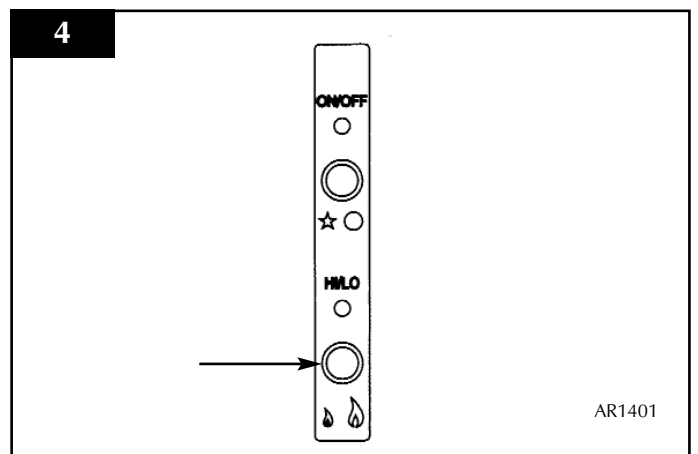


TOUCH PAD

- 2.3 Press and continue to hold the on/off button to start the ignition sequence. Once the pilot has begun to spark the button can be released. After approximately ten seconds the main burner will light on high. See diagram 3.



- 2.4 To control the flames between high and low, press HI / LO button once in each case. See diagram 4.



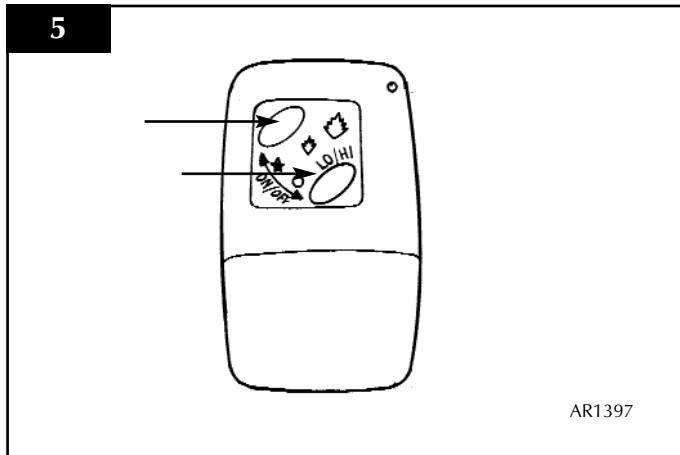
THE YELLOW FLAMES WILL APPEAR WHEN THE FIRE HAS GAINED SUFFICIENT HEAT-TYPICALLY 10 TO 20 MINUTES

USER INSTRUCTIONS

3. TURNING THE FIRE OFF

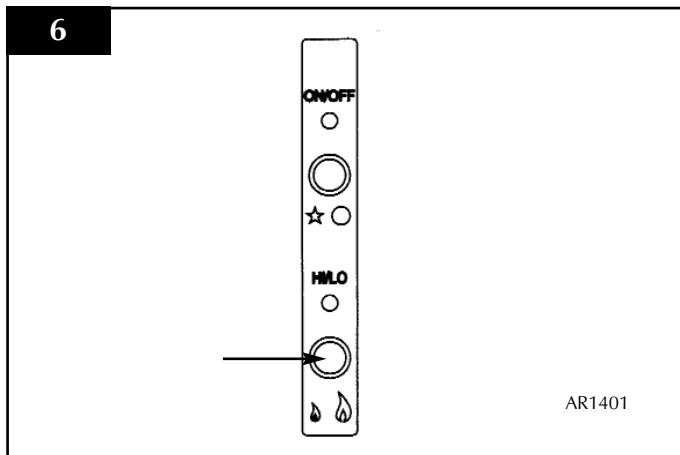
REMOTE CONTROL

- 3.1 Press the two buttons together and this will turn the appliance off including the pilot. See diagram 5.



TOUCH PAD

- 3.2 Press the ON / OFF button once and this will turn the appliance off including the pilot. See diagram 6.



4. CLEANING THE FIRE

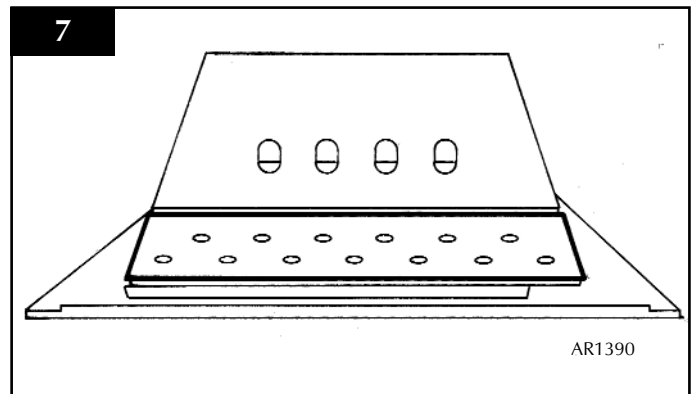
- 4.1 Remove the ceramic coals or pebbles and place on a dry, clean surface. Remove the fuelbed and the burner cover gasket.
- 4.2 Clean the burner and tray assembly using a vacuum cleaner with soft brush attachment, ensure all debris is removed from the burner ports.
- 4.3 Replace the ceramics by referring to section 5.

5. ARRANGEMENT OF FUEL BED COMPONENTS

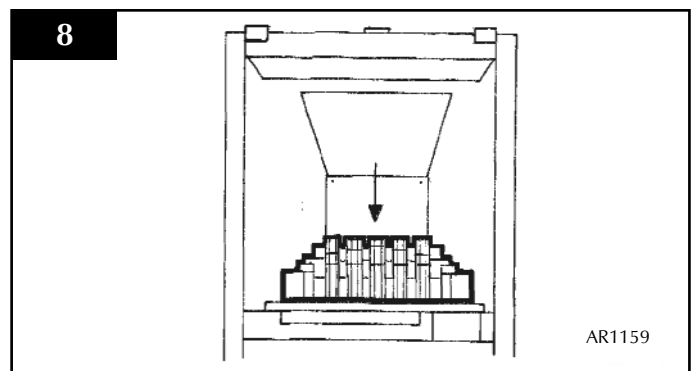
NOTE: CERAMIC PARTS ARE FRAGILE. THE SIDE AND REAR PANELS ARE REVERSIBLE. ONE SIDE IS PLAIN, THE OTHER SIDE IS REEDED. ASK THE CUSTOMER WHICH SIDE IS PREFERRED AT THIS STAGE.

ONLY USE THE CORRECT TYPE AND QUANTITY OF CERAMIC COMPONENTS. POINTS 5.1 TO 5.5 ARE COMMON TO ALL FUEL TYPES AND LAYOUTS.

- 5.1 Position the burner cover gasket on the burner skin ensuring the holes align with the ports. Take care as the front left-hand hole is offset compared to the others. See diagram 7.

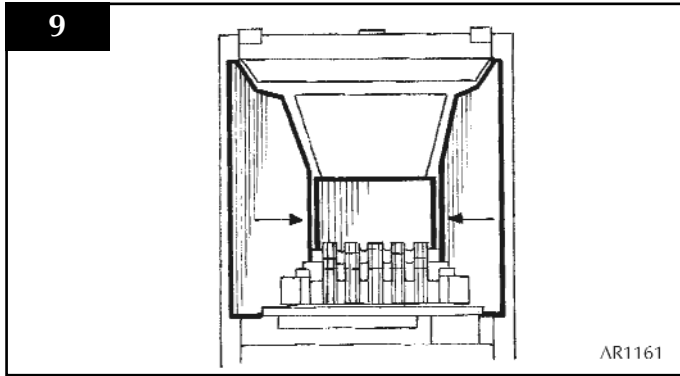


- 5.2 Position the flame baffle centrally on the tray and ensure the stepped lower edge engages against the rear edge of the burner skin. See diagram 8.

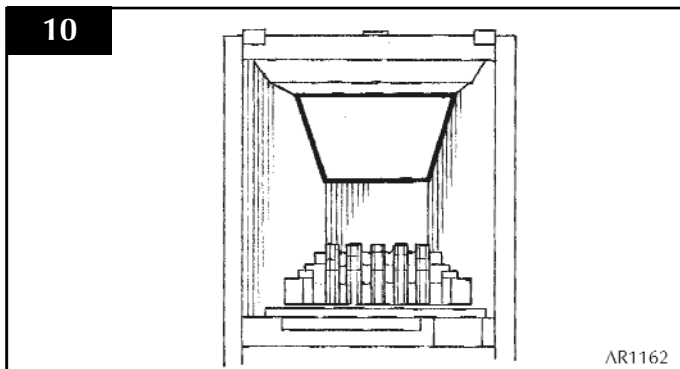


USER INSTRUCTION

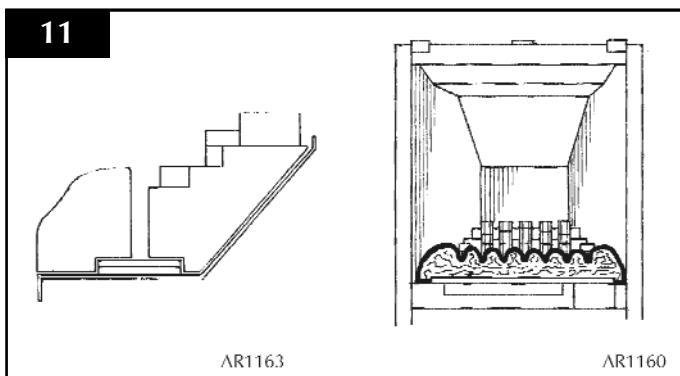
- 5.3 Place the rear panel against the rear of the box and slide the side panels on either side of the flame baffle. Ensure they locate in the brackets at the top of the firebox. **DO NOT SLIDE THEM ALL THE WAY BACK.** See diagram 9.



- 5.4 Locate the top panel on top of the rear and side panels. Finally push the sides fully towards the rear panel. This will retain the top panel. See diagram 10.



- 5.5 Place the front coal centrally in the channel at the front of the tray. See diagram 11. The relationship between the front coal and flame baffle is shown in diagram 11.

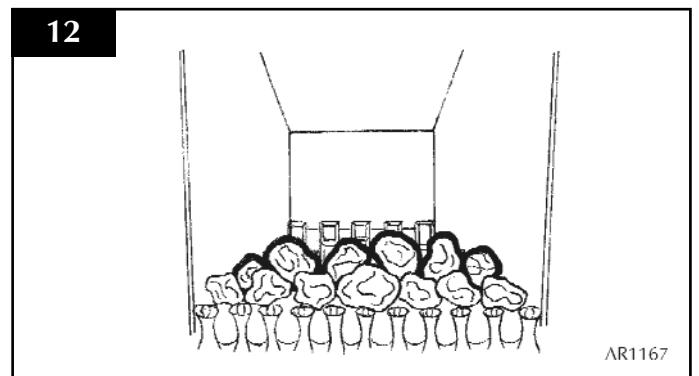


COAL LAYOUT

NOTE: THERE ARE TWO LARGE COALS IN A BAG INSIDE THE MAIN BAG. THESE ARE ONLY TO BE USED WHEN A CURVED FRONT SUCH AS THE HOLYROOD AND RICHMOND ARE USED. DO NOT USE THE TWO LARGE COALS WHEN USING A FLAT FRONTED FRAME.

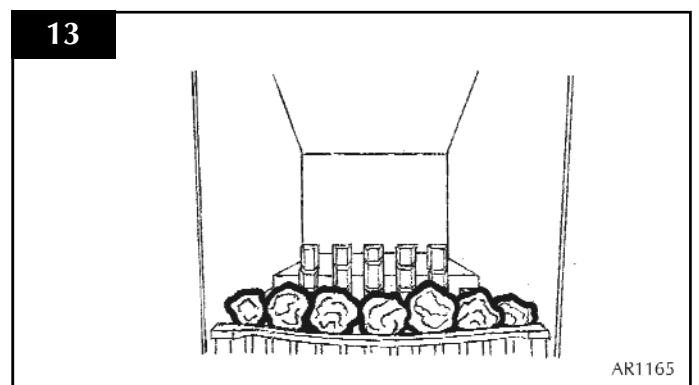
A) FRONT ROW COAL LAYOUT USING FLAT FIRE FRONTS

- 5.6 The front row is the only difference in coal layout. Place one large coal centrally on the front coal resting against the frame. Then place three small coals either side. See diagram 12.



B) FRONT ROW COAL LAYOUT USING CURVED FIRE FRONTS.

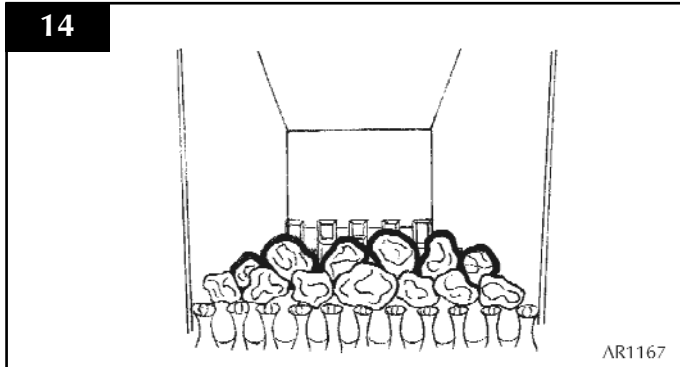
- 5.7 Place three large coals resting on top of the front coal and against the front of the frame, then place two small coals either side of the large ones. See diagram 13.



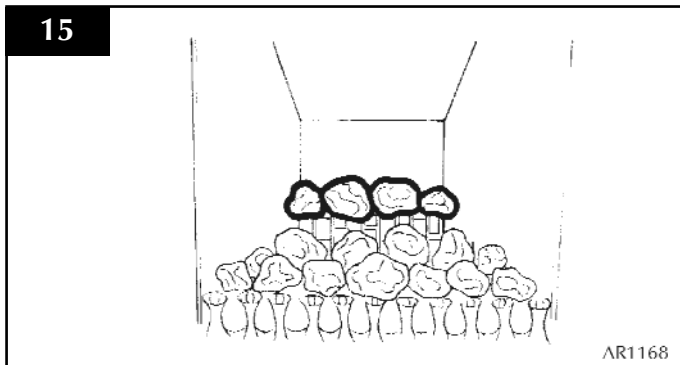
USER INSTRUCTION

C) COAL LAYOUT CONTINUED FROM FRONT ROW

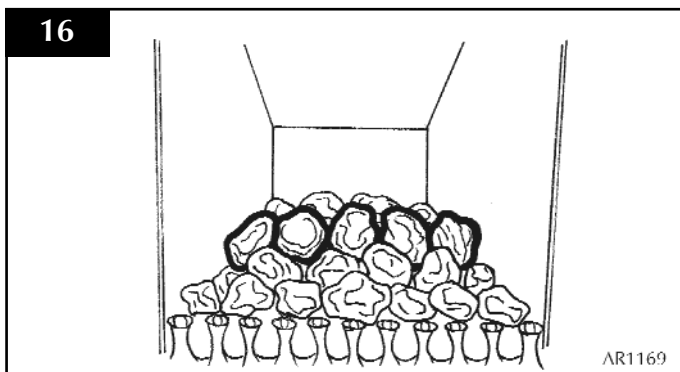
- 5.7 Place four large coals behind the first row and one small coal either end resting up against the side panels. See diagram 14.



- 5.8 Place one small coal either side on top of the flame baffle in each rear corner. Then place two large coals in between the two small coals. These coals should touch the rear panel. See diagram 15.



- 5.9 Finally place five large coals between the second and rear row of coals. See diagram 16.

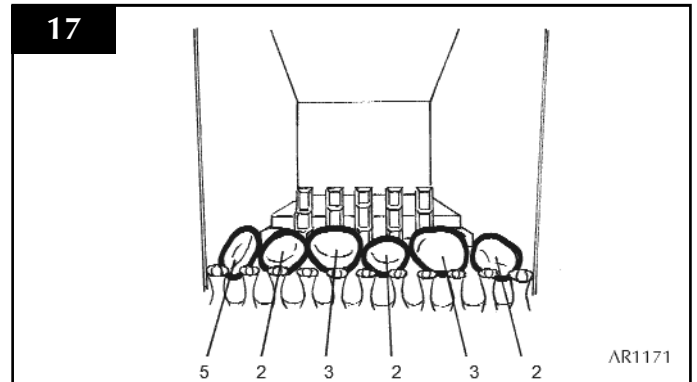


- 5.10 It is essential that gaps are left between the coals to maximise the performance of the appliance.

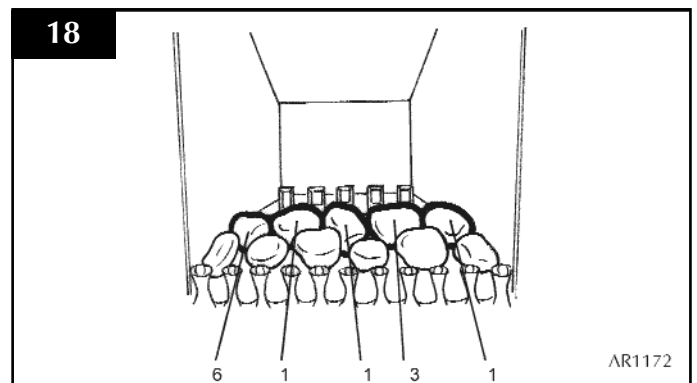
PEBBLE LAYOUT - CURVED AND FLAT FRONTS

- 5.12 **ALL THE PEBBLES HAVE AN IDENTIFICATION ON THE UNDERSIDE. ENSURE THE PEBBLES ARE PLACED ONLY IN THEIR CORRECT POSITIONS.**

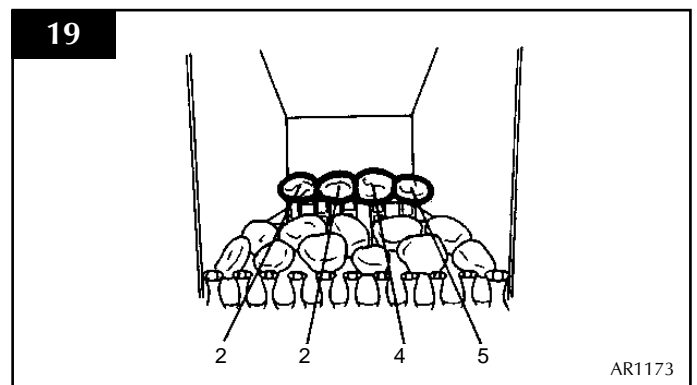
- 5.13 Place the first row of pebbles on top of the front coal resting against the frame front. All the identifications are placed face down so they cannot be seen. See diagram 17.



- 5.14 Working from the outside of the appliance, place the second row of pebbles against the rear of the first row. Note the orientation of each pebble, as this is important to the performance of the fire. See diagram 18.

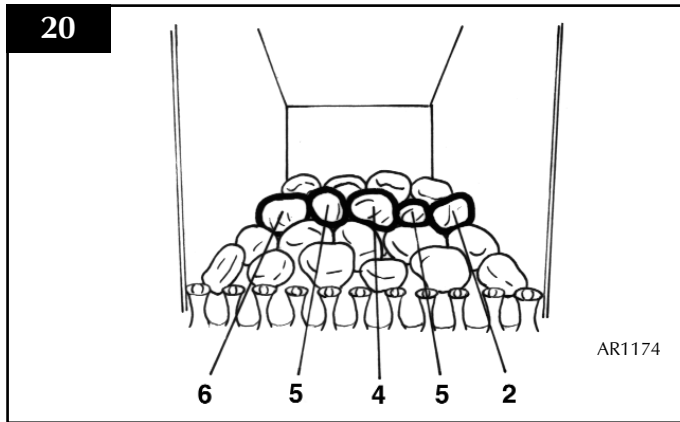


- 5.15 Place the rear row of pebbles on top of the flame baffle, these must touch the rear panel. See diagram 19.



USER INSTRUCTION

- 5.16 Place the remaining five pebbles between the second and rear rows. See diagram 20.



6. OXYGEN DEPLETION SENSOR

- 6.1 The appliance is fitted with an oxygen sensitive pilot system will act to cut off the gas supply to the fire should the oxygen in the room fall below its normal level. If the fire is turned off by this device, it usually indicates that there is a problem with the flue system, and this should be inspected by a qualified engineer. **Do not attempt to use the fire until an engineer says it is safe to do so.**

This device is not a substitute for an independently mounted carbon monoxide detector.

7. FLAME FAILURE DEVICE

- 7.1 This is a safety feature incorporated in all GAZCO fires which automatically switches off the gas supply if the pilot light goes out and fails to heat the thermocouple.

8. 'RUNNING IN'

- 8.1 The surface coating on the coals used in your GAZCO fire will 'burn off' during the first few hours of use, producing a harmless and temporary odour. This will disappear after a short period of use. If the odour persists, ask your installer for advice.

9. SERVICING

- 9.1 This fire must be serviced every 12 months by a qualified Gas Engineer. In all correspondence, always quote the appliance type and serial number, which may be found on the databadge located on a chain beneath the control valve.

10. VENTILATION

- 10.1 Any purpose provided ventilation should be checked periodically to ensure that it is free from obstruction.

11. INSTALLATION DETAILS

- 11.1 To assist in any future correspondence, your installer should have completed this commissioning sheet, this records, the essential installation details of the appliance. In all correspondence always quote the Model Number and Serial Number.

INSTALLATION INSTRUCTIONS

TECHNICAL SPECIFICATION

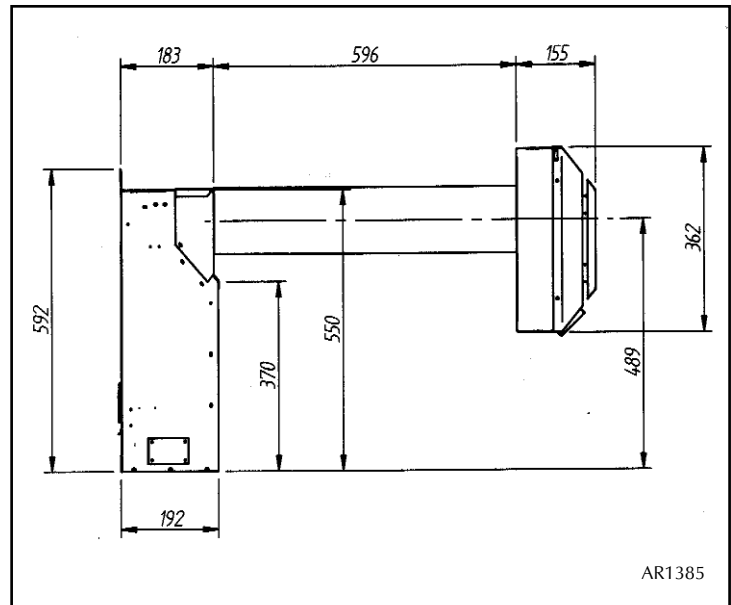
Covering the following models

Convector
8316MC
8316PB
P8316MC
P8316PB

GAS CATEGORY		I _{2h}	I _{3P}
		Natural	Propane
Gas Type		G20	G31
Working Pressure		20 mb	37 mb
Gross Input kW	High	6.7	6.7
	Low	3.75	3.75
Gas Rate m ³ /hr	High	0.64	0.25
	Low	0.357	0.141
Nox Class		4	4
Injector size		375	180
Aeration Size		6x6	8x15 Rear
			23x15 Front
Max Flue Length		600mm (24")	
Min Flue Length		82mm (3 ¹ / ₄ ")	
Gas Inlet		8mm	
Weight (Gross)		20Kg	

APPLICABLE FRONTS

FRONT	CONVECTOR
DESIGNIO	8251MA
EVOLUTION	8257MB, 8257BS
HOLYROOD	8391 8397 8150
INFINITI	8249BS
PROGRESS	8253BS
RICHMOND	8678
SPANISH	8382, 8385 8388, 8153
VICTORIAN CONVECTOR	4262, 4263
ART NOUVEAU CONVECTOR	4264, 4265
COMBINATION CONVECTOR	4362, 4363



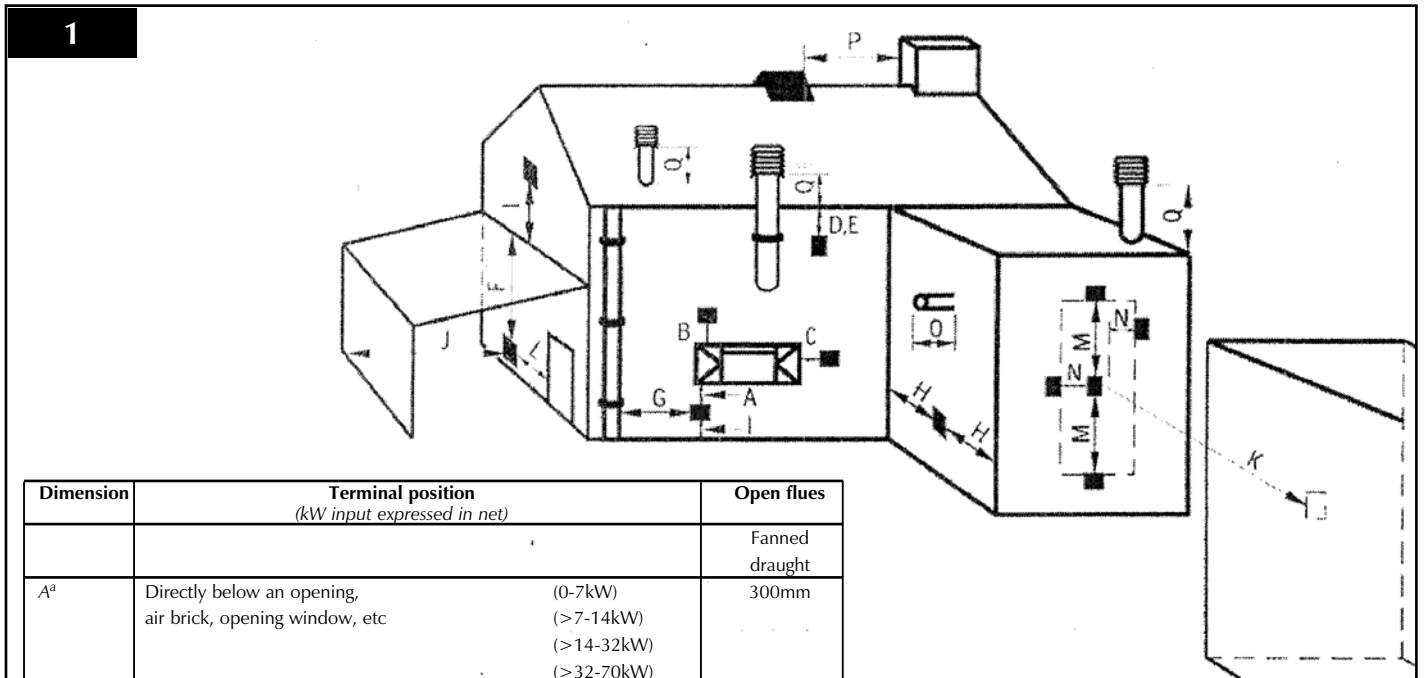
INSTALLATION INSTRUCTIONS

SITE REQUIREMENTS

1. FLUE REQUIREMENTS

NOTE: This appliance can only be installed in conjunction with the flue supplied.

1.1 The flue must be sited in accordance with BS5440: Part 1 (latest edition). See diagram 1.



AR0171

Dimension	Terminal position (kW input expressed in net)	Open flues
		Fanned draught
A ^a	Directly below an opening, air brick, opening window, etc (0-7kW) (>7-14kW) (>14-32kW) (>32-70kW)	300mm
B ^a	Above an opening, air brick, opening window, etc (0-7kW) (>7-14kW) (>14-32kW) (>32-70kW)	300mm
C ^a	Horizontally to an opening, air brick, opening window, etc (0-7kW) (>7-14kW) (>14-32kW) (>32-70kW)	300mm
D	Below gutters, soil pipes or drain pipes	75mm
E	Below eaves	200mm
F	Below balconies or car port roof	200mm
G	From a vertical drain pipe or soil pipe	150mm
H ^c	From an internal or external corner	200mm
I	Above ground, roof or balcony level	300mm
J	From a surface or boundary facing the terminal	600mm
	From a terminal facing the terminal	1 200mm
L	From an opening in the car port (e.g door or window) into the dwelling	1 200mm
M	Vertically from a terminal on the same wall	1 500mm
N	Horizontally from a terminal on the same wall	300mm
O	From the wall on which the terminal is mounted	50mm
P	From a vertical structure on the roof	N/A
Q	Above intersection with roof	150mm

NOTES: N/A = Not applicable

^a In addition, the terminal should not be nearer than 150mm (fanned draught) or 300mm (natural draft) to an opening in the building fabric formed for the purpose of accommodating a built-in element such as a window frame, (see Figure C.2). Separation distances are linked to the rated heat inputs as shown.

^b This dimension may be reduced to 75mm for appliances of up to 5kW heat input.

^c The reference of external corners does not apply to building protrusion not exceeding 450mm, such as disused chimneys on external walls for: fan draught appliances; natural draught appliances not exceeding a net input of 7kW; any other appliances if detailed in the manufacture's instructions.

INSTALLATION INSTRUCTIONS

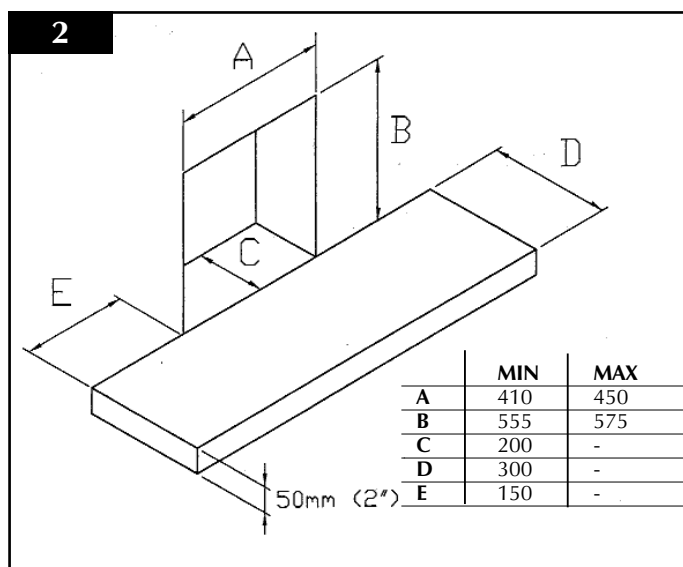
SITE REQUIREMENTS

- 1.2 This appliance is suitable for installation onto an external wall with a maximum thickness of 850mm. The terminal must be situated on the outside of the wall in an unobstructed location.
- 1.3 The terminal must be located in accordance with any local or national installation requirements, but in particular, it should not be recessed or enclosed in any way, and the products outlet should be free and unobstructed. The supplied terminal guard should be fitted to prevent persons coming into contact with any part of the fan outer casing.
- 1.4 The terminal guard must be located in accordance with the clearances specified in diagram 1. It should not be located in close proximity to combustible materials such as plastic guttering, downpipes or garden fences.
- 1.5 This appliance requires a mains power supply. This should be provided via a fixed 3 amp fused spur located within 1 metre of the appliance.

WARNING - THIS APPLIANCE MUST BE EARTHED.

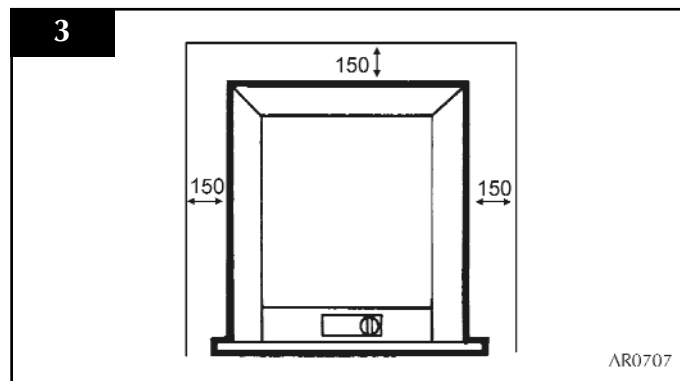
2. APPLIANCE LOCATION

- 2.1 This appliance must stand on a non-combustible hearth that is at least 12mm thick and 50mm thick at least at the periphery.
- 2.2 It must be fitted into a non-combustible opening.
- 2.3 These appliances must be hearth mounted into a pre constructed opening conforming to the minimum dimensions as shown in diagram 2.



- 2.4 Ensure that no naked flame or incandescent part of the fire bed projects beyond the vertical plane of the fireplace opening.

- 2.5 The appliance must not be installed in any room that contains a bath or shower.
- 2.6 Ensure clearances to combustible materials - see diagram 3.



- 2.7 The maximum depth of a combustible shelf is 150mm at a minimum height of 150mm above the fire.

3. GAS SUPPLY

- 3.1 Before installation, ensure that the local distribution conditions (identification of gas and pressure) and the adjustment of the appliance are compatible.
- 3.2 Ensure that the gas supply is capable of delivering the required amount of gas, and is in accordance with the rules in force.
- 3.3 This appliance is supplied complete with a factory fitted isolation device incorporated into the inlet connection, no further isolation device is therefore required.

4. VENTILATION

It is important to ensure that any national ventilation requirements are taken into account during the installation of this appliance.

- 4.1 This appliance has a nominal input not exceeding 7.0kw and therefore does not normally require an additional permanent ventilation.

If, however, spillage is detected when commissioning the appliance, there may be insufficient natural ventilation and additional ventilation may be required.

For ventilation requirements in the Republic of Ireland, it will be necessary to refer to the relevant rules in force.

AIR VENTS MUST NOT BE RESTRICTED.

INSTALLATION INSTRUCTIONS

INSTALLATION

1. UNPACKING

- 1.1 Remove the appliance from its packaging, and check that it is complete and undamaged.
- 1.2 Put the loose ceramic parts to one side so that they are no damaged during installation.

2. SAFETY PRECAUTIONS

- 2.1 This appliance must be installed in accordance with the rules in force, and used only in a sufficiently ventilated space. Please read all instructions before installation and use of this appliance.
- 2.2 These instructions must be left intact with the user.
- 2.3 Do not attempt to burn rubbish on this appliance.
- 2.4 In your own interest, and those of safety, this appliance must be installed by a competent person in accordance with local and national codes of practice. Failure to install the appliance correctly could lead to prosecution.
- 2.5 Keep all plastic bags away from young children.

3. INSTALLATION OF THE GAS SUPPLY

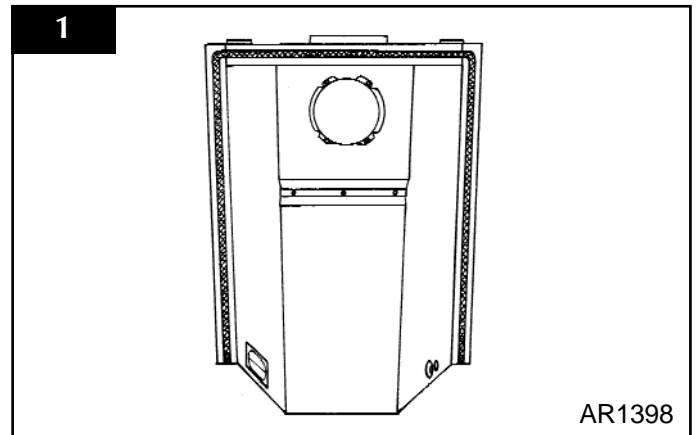
NATURAL GAS @ 20mbar		PROPANE @ 37mbar	
8316MC	8316PB	P8316MC	P8316PB

TO CHANGE FROM ONE GAS TYPE TO ANOTHER A COMPLETE ENGINE ASSEMBLY WILL BE REQUIRED. SEE SECTION 12 SERVICING INSTRUCTIONS.

- 3.1 Before installation, ensure that the local distribution conditions (identification of the type of gas and pressure) and the adjustment of the appliance are compatible. See table above.
- 3.2 Ensure that the gas supply is capable of delivering the required amount of gas, and is in accordance with the rules in force. Please refer to the technical specification for the correct working pressure for the gas used.
- 3.3 Soft copper tubing and soft soldered joints can be used but must not be closer than 50mm (2") to the underside of the burner.
- 3.4 An isolation device is provided with the appliance.
- 3.5 All supply gas pipes must be purged of any debris that may have entered, prior to connection to the appliance.

4. PREPARING THE APPLIANCE

- 4.1 Remove the backing from the self-adhesive silicone sealing strip and apply to the rear flange of the firebox ensuring that it is positioned as close to the outer edge as is practically possible. See diagram 1.



- 4.2 Gas pipe entry must come through the right hand side of the box. The rubber seal must be cut using a sharp knife to allow the isolating elbow to pass through it. Ensure the rubber is not damaged when doing this.

A means of isolation is provided with the appliance. This must be fitted to the supply pipe prior to installing the firebox.

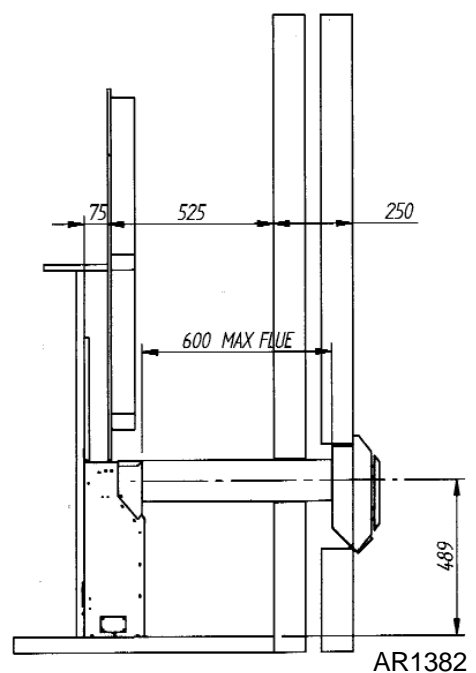
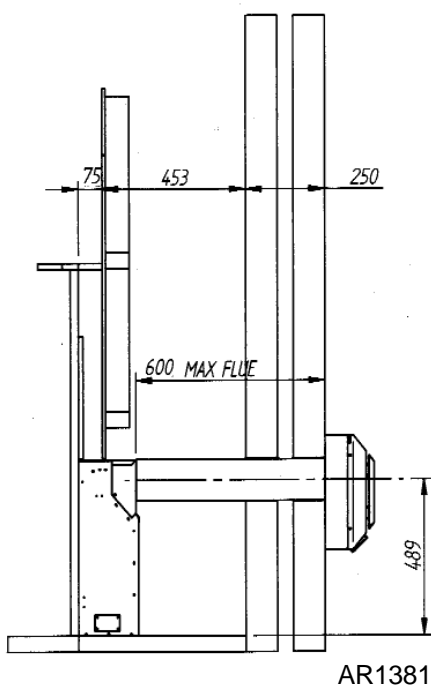
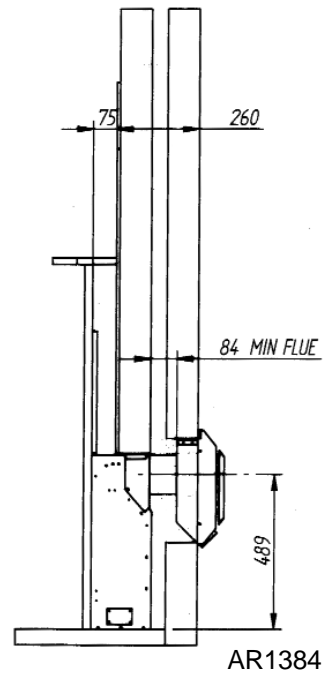
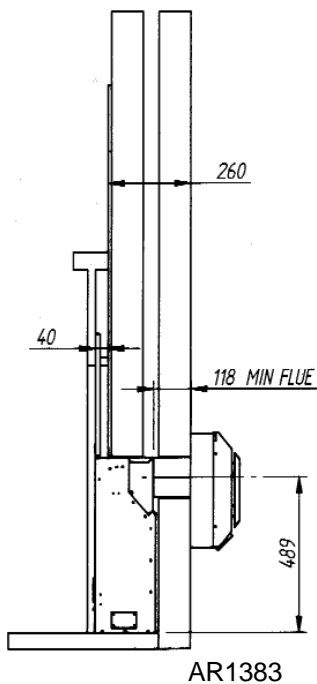
INSTALLATION INSTRUCTIONS

INSTALLATION

5. INSTALLATION OF THE APPLIANCE

THE APPLIANCE CAN EITHER BE RECESSED INTO THE INNER LEAF OF THE WALL. A 75mm REBATED FIRE SURROUND MUST BE USED WITH THIS METHOD. OR IT CAN BE INSTALLED IN FRONT OF THE WALL IN CONJUNCTION WITH A FIRE SURROUND AND SUITABLY CONSTRUCTED STUDWORK FRAME. THE FAN IS ALSO CAPABLE OF BEING RECESSED INTO THE OUTER LEAF OF THE WALL BY REMOVING THE FAN FRAME. SEE DIAGRAM 2 FOR OPTIONS.

2

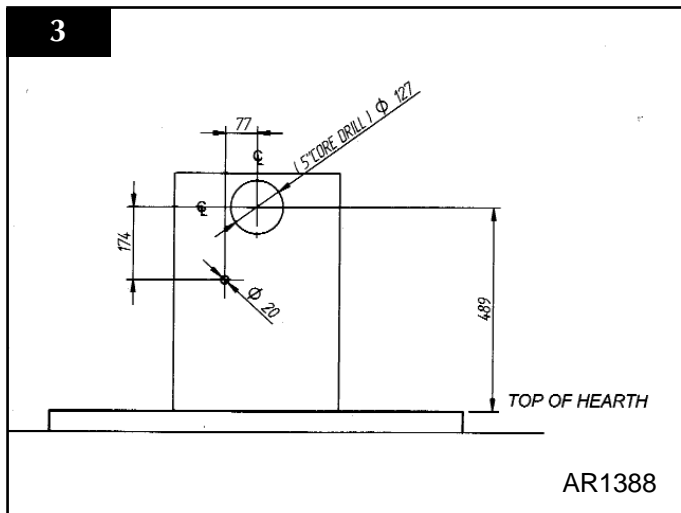


INSTALLATION INSTRUCTIONS

INSTALLATION

FOR NON RECESSED INSTALLATION

- 5.1 Mark the position of the flue on the inner wall by measuring from the top of the finished hearth level. At the same time mark the position for the fan power cable. See diagram 3.



- 5.2 Drill the hole for the flue using a 125mm core drill and a 20mm hole for the fan power cable through both the inner and outer walls.

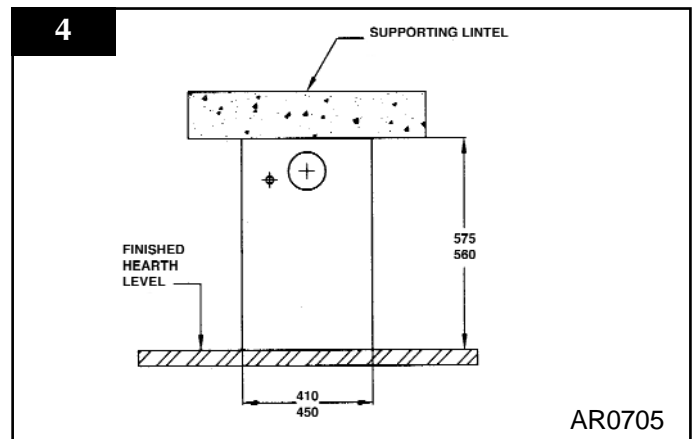
- 5.3 It will now be necessary to construct a studwork frame to house the appliance. The minimum depth of the aperture must be 217mm, this includes an air gap of 25mm behind the appliance. The sides must be lined with non combustible material for the full depth of the aperture to a height of 650mm. Do not cover the top of the aperture as this will assist with the air flow within the framework. To ensure sufficient airflow within the framework it is advisable to install air vents on both sides of the framework at low and high level. Precautions must be taken to ensure that no combustible materials are located within 50mm (2") of the appliance outer casing. If combustible material is located closer than 50mm (2") they must be clad in a suitable non combustible material.

- 5.4 Ensure the finished aperture in the studwork frame is aligned with the flue hole previously cut through the outer wall.

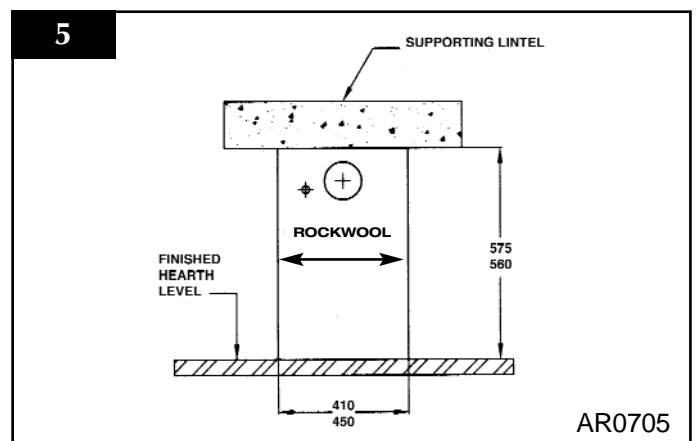
FOR RECESSED INSTALLATION

This method of installation requires structural alteration to the intended location. A suitable supporting lintel must be installed to maintain the structural integrity of the surrounding blockwork.

- 5.5 Mark the position of the lintel so that it sits centrally over the intended installation. Remove the blockwork and install the lintel using mortar to ensure a strong bond with the surrounding wall. See diagram 4.



- 5.6 With the lintel in position mark the width of the aperture and remove the blockwork. If there is loose cavity insulation this must be retained. This can be achieved by using Rockwool or something similar. See diagram 5.

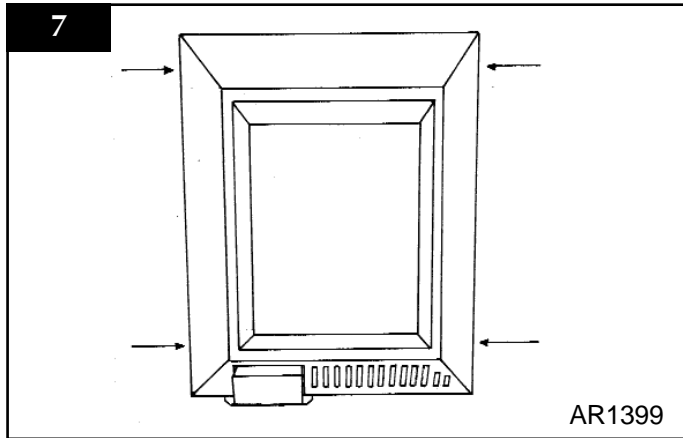


NB: Please note that paragraph 5.7 and diagram 6 have been omitted.

INSTALLATION INSTRUCTIONS

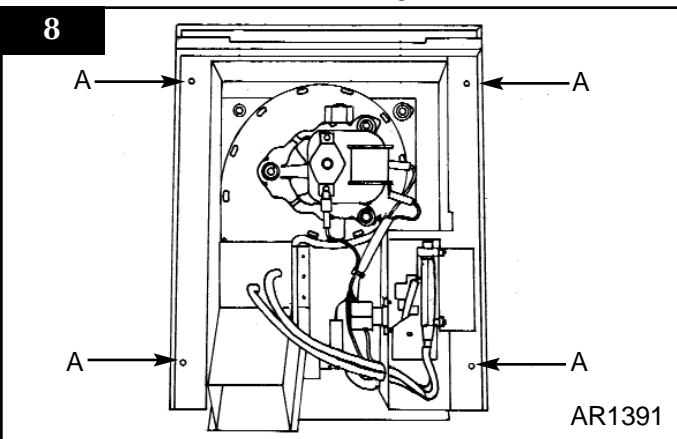
INSTALLATION

5.8 The fan unit can also be recessed into the outer leaf of the wall. To do this remove the four screws securing the outer



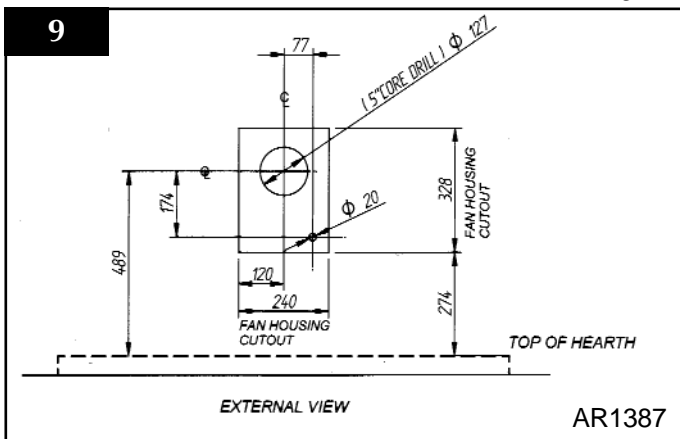
cover. See diagram 7.

5.9 Remove the four screws securing the frame from the fan



unit. See diagram 8.

5.10 From the centreline of the flue mark the external wall where the blockwork needs to be removed. See diagram

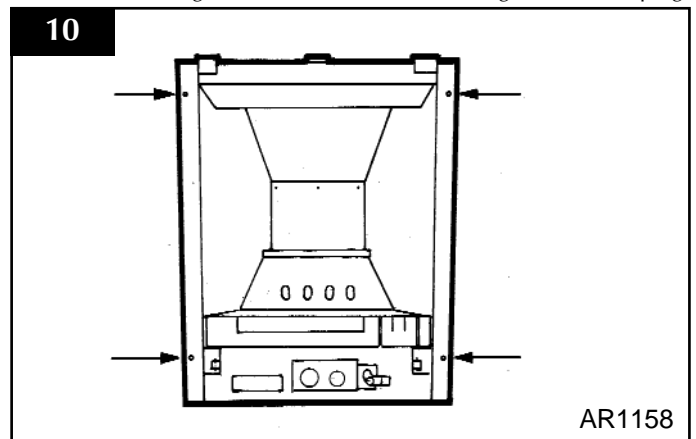


13.

NOTE: If this method is to be used there is no need to drill a hole for the fan cable as the aperture for the fan is sufficient.

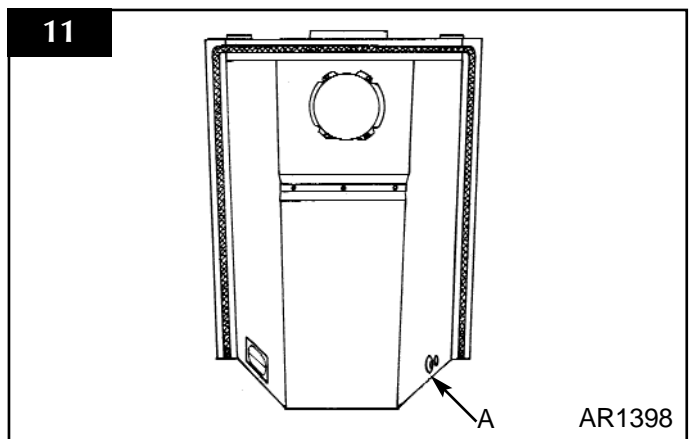
5.11 Pass the fan cable through the wall, the fan will have to be supported on the outside while doing this.

5.12 Place the appliance in the aperture and mark the four fixing holes through the front of the firebox flanges. Drill and plug



the holes ready for fixing. See diagram 14.

5.13 Feed the fan cable through the large rubber grommet and ensure the mains power lead is in the correct position ready



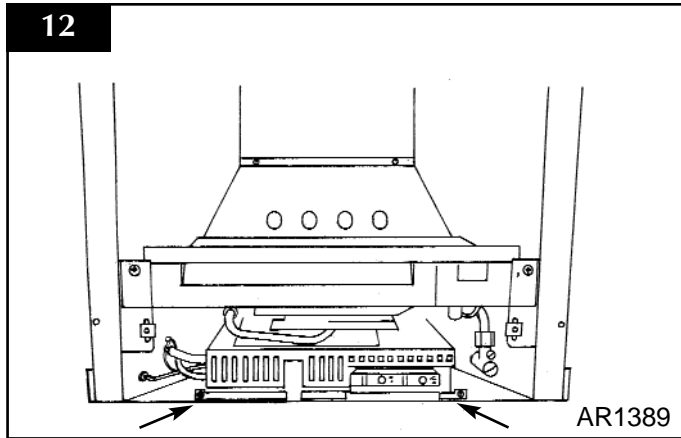
to connect to a fused spur. See diagram 15.

5.14 Secure the appliance to the wall using the four fixing screws provided and ensure the gas inlet passes through the rubber seal on the right hand side of the appliance.

INSTALLATION INSTRUCTIONS

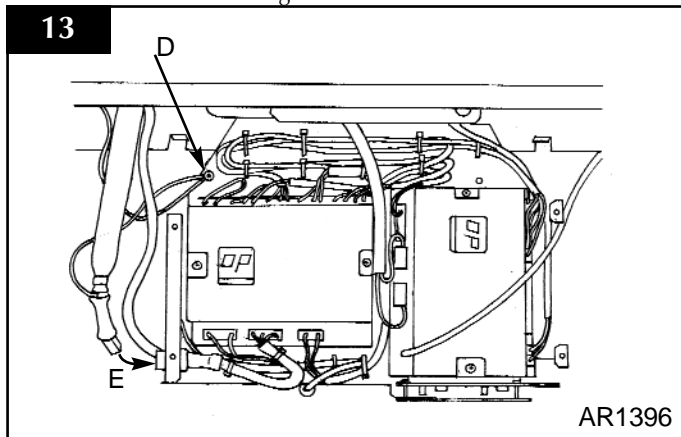
INSTALLATION

- 5.15 Connect the isolation device to the gas fire inlet pipe.
Remove the two screws securing the cassette and

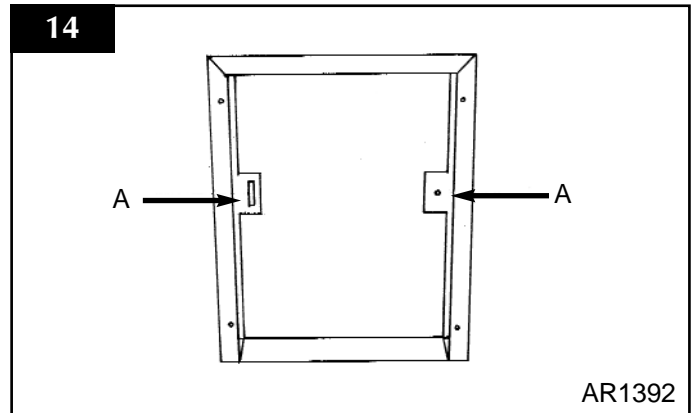


carefully pull it forward as far as possible. See diagram 12.

- 5.16 Connect the earth lead from the fan power cable to the earth post on the rear of the electronic cassette and plug the fan cable into the socket on the left hand side of the cassette. See diagram 13.

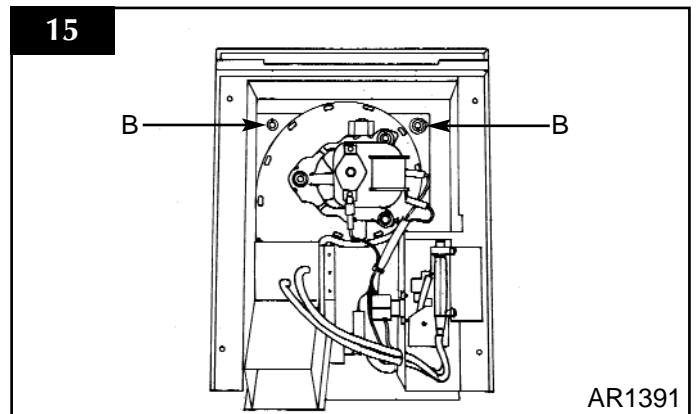


- 5.17 Slide the cassette under the fire and ensure the cables from the valve motor and thermocouple are curled onto the rear of the cassette. Replace the two fixing screws.
- 5.18 Working from the outside fit the flue through the wall and fully engage onto the spigot on the rear of the firebox. If the fan is surface mounted mark the flue level with the outside of the wall. If the fan is recessed reduce this dimension by 75mm. Cut the flue to size and deburr all the edges.
- 5.19 Mark the wall for fixing the fan unit. If the fan is to be surface mounted, remove the four cover screws and the four screws retaining the rear spacer. Use the rear spacer to mark the two holes. Drill and plug the holes. See diagram



- 14.
- 5.20 Fitt the flue to the firebox spigot, ensure this is fully engaged. If the fan is recessed it may be necessary to remove the fan assembly from the body to assist in locating the flue onto the fan spigot. Proceed as follows:

- 1) Remove the two white rubber tubes from the exhaust, note the orientation.
- 2) Remove the wires from the fan motor.
- 3) Remove the three nuts retaining the fan assembly. The



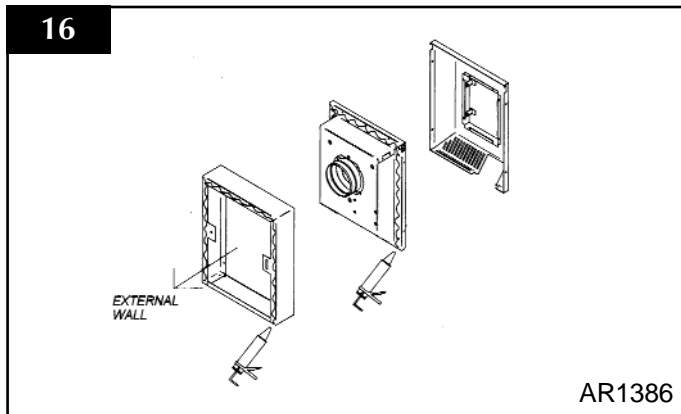
fan can now be removed. See diagram 15.

- 5.21 Using a suitable weatherproof sealant, run a large bead around the rear of the fan body or the spacer. Pay particular attention to the bottom edge if the fan is recessed.

INSTALLATION INSTRUCTIONS

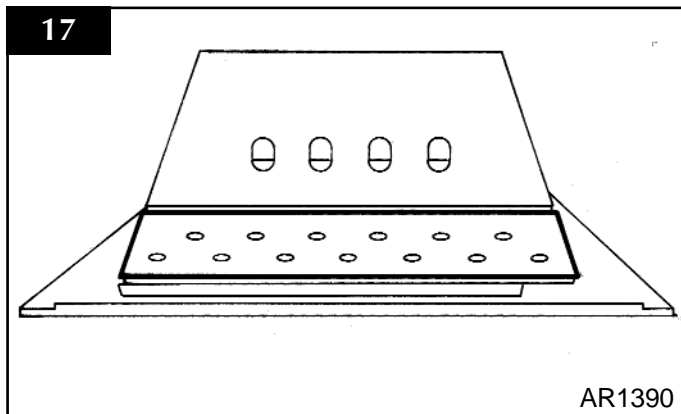
INSTALLATION

- 5.22 Screw the spacer or fan body to the wall with the screws provided. If the fan is recessed, engage the fan spigot onto the flue and reassemble the fan. Assemble in reverse order of section 5.20.
- 5.23 If the fan is not recessed fit the fan body to the spacer and



finally refit the outer cover. See diagram 16.

- 5.24 Connect the gas supply to the burner. Support the isolating device with a spanner while tightening the joint.
- 5.25 Position the burner cover gasket on the burner skin ensuring the holes align with the ports. Take care as the front left-



hand hole is offset compared to the others. See diagram 17

- 5.26 Turn on the gas supply to the appliance and check for leaks. Light the fire (see section 2 users instructions or section 11 installation instructions) and check all joints on the appliance for leaks.
- 5.27 Remove the sealing screw from the inlet connection and connect a suitable "U" gauge manometer. Light the fire and turn to the maximum position, refer to the databadge and ensure that the running pressure is correct. If the pressure varies significantly from that on the databadge, this may indicate a supply problem and will require immediate attention.

- 5.28 Turn the appliance off, disconnect the "U" gauge and replace the sealing screw. Relight the appliance and check the sealing screw for leaks.

INSTALLATION INSTRUCTIONS

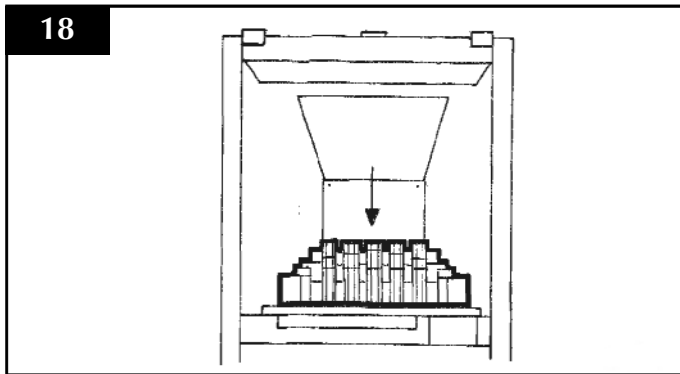
INSTALLATION

6. ARRANGEMENT OF FUEL BED COMPONENTS

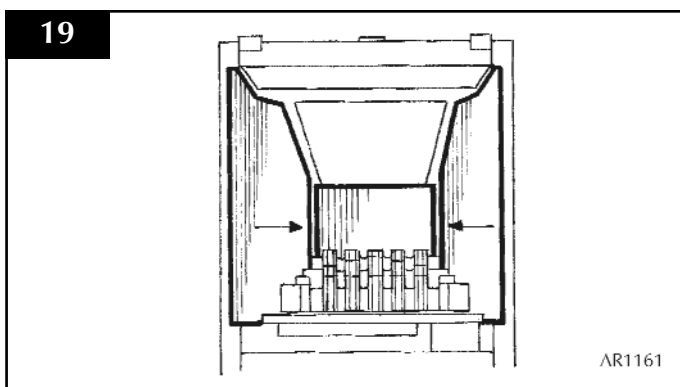
NOTE: CERAMIC PARTS ARE FRAGILE. THE SIDE AND REAR PANELS ARE REVERSIBLE. ONE SIDE IS PLAIN, THE OTHER SIDE IS REEDED. ASK THE CUSTOMER WHICH SIDE IS PREFERRED AT THIS STAGE.

ONLY USE THE CORRECT TYPE AND QUANTITY OF CERAMIC COMPONENTS. POINTS 6.1 TO 6.4 ARE COMMON TO ALL FULE TYPES AND LAYOUTS.

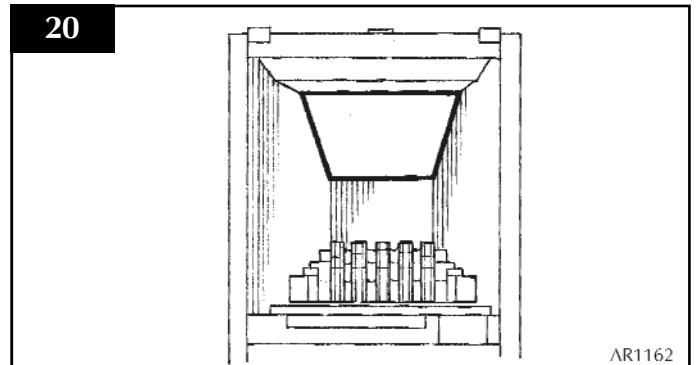
- 6.1 Position the flame baffle centrally on the tray and ensure the stepped lower edge engages against the rear edge of the burner skin. See diagram 18.



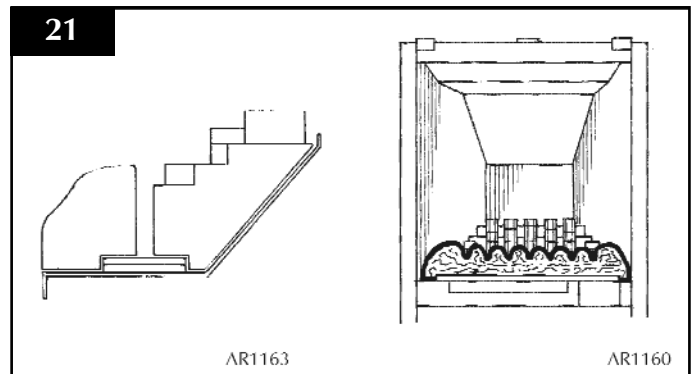
- 6.2 Place the rear panel against the rear of the box and slide the side panels on either side of the flame baffle. Ensure they locate in the brackets at the top of the firebox. DO NOT SLIDE THEM ALL THE WAY BACK. See diagram 19.



- 6.3 Locate the top panel on top of the rear and side panels. Finally push the sides fully towards the rear panel. This will retain the top panel. See diagram 20.



- 6.4 Place the front coal centrally in the channel at the front of the tray. See diagram 13. The relationship between the front coal and flame baffle is shown in diagram 21

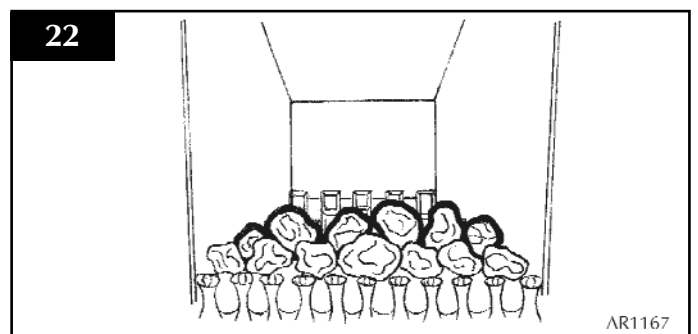


COAL LAYOUT

NOTE: BEFORE THE COALS OR PEBBLES CAN BE FITTED, A FIRE FRONT MUST BE FITTED. THERE ARE TWO LARGE COALS IN A BAG INSIDE THE MAIN BAG. THESE ARE ONLY TO BE USED WHEN A CURVED FRONT SUCH AS THE HOLYROOD AND RICHMOND ARE USED. DO NOT USE THE TWO LARGE COALS WHEN USING A FLAT FRONTED FRAME.

FRONT ROW COAL LAYOUT USING FLAT FIRE FRONTS

- 6.5 The front row is the only difference in coal layout. Place one large coal centrally on the front coal resting against the frame. Then place three small coals either side. See diagram 22.

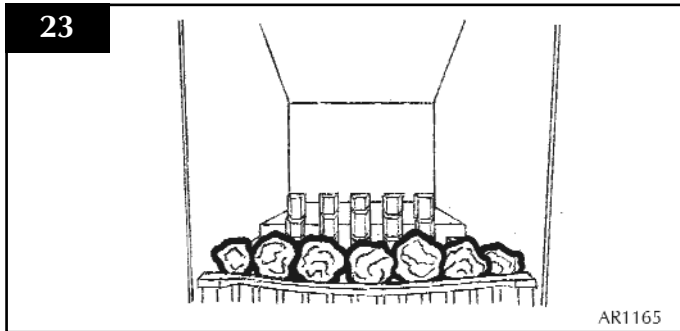


INSTALLATION INSTRUCTIONS

INSTALLATION

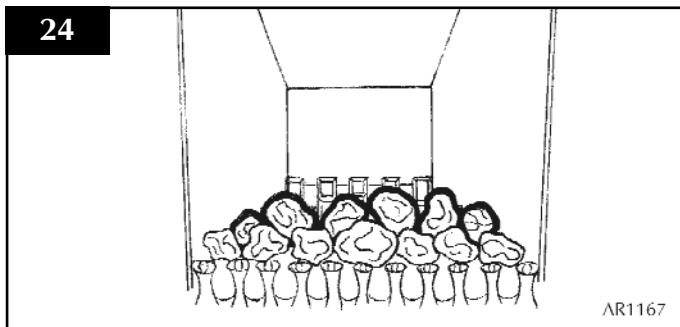
FRONT ROW COAL LAYOUT USING CURVED FIRE FRONTS.

- 6.6 Place three large coals resting on top of the front coal and against the front of the frame, then place two small coals either side of the large ones. See diagram 23.

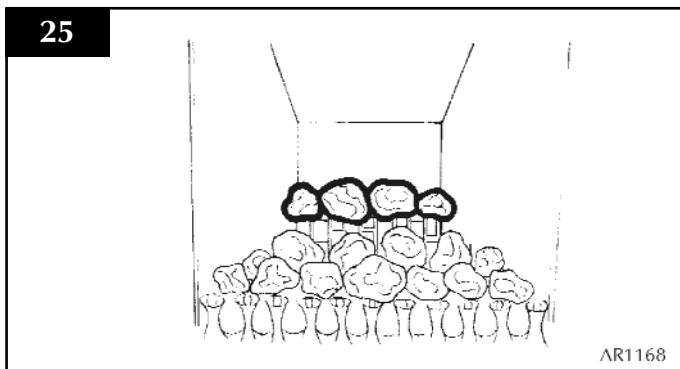


COAL LAYOUT CONTINUED FROM FRONT ROW

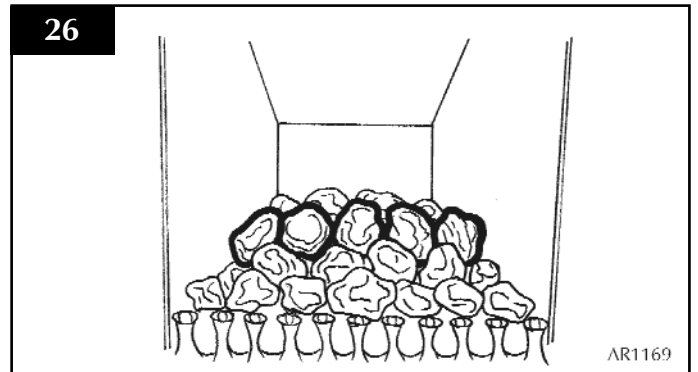
- 6.7 Place four large coals behind the first row and one small coal either end resting up against the side panels. See diagram 24.



- 6.8 Place one small coal either side on top of the flame baffle in each rear corner. Then place two large coals in between the two small coals. These coals should touch the rear panel. See diagram 25.



- 6.9 Finally place five large coals between the second and rear row of coals. See diagram 26.

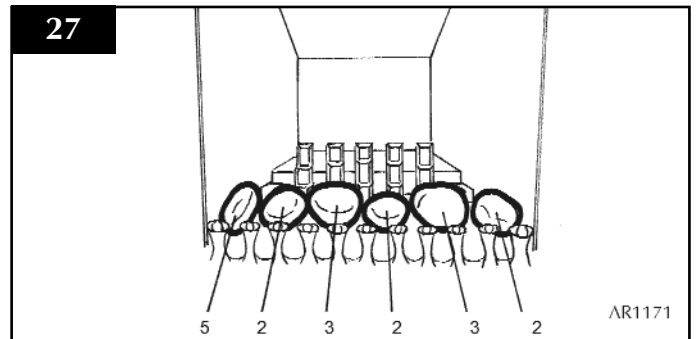


- 6.10 It is essential that gaps are left between the coals to maximise the performance of the appliance.

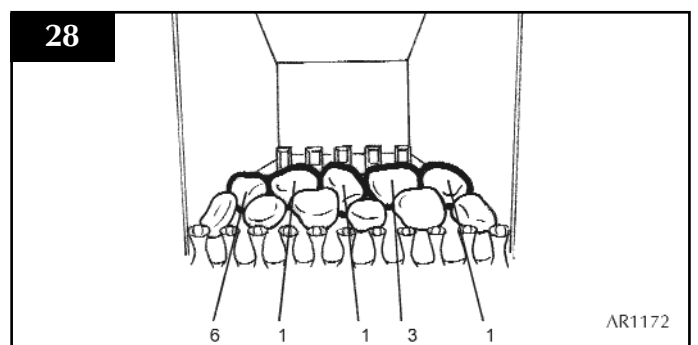
PEBBLE LAYOUT - CURVED AND FLAT FRONTS

- 6.11 **ALL THE PEBBLES HAVE AN IDENTIFICATION ON THE UNDERSIDE. ENSURE THE PEBBLES ARE PLACED ONLY IN THEIR CORRECT POSITIONS.**

- 6.12 Place the first row of pebbles on top of the front coal resting against the frame front. All the identifications are placed face down so they cannot be seen. See diagram 27.



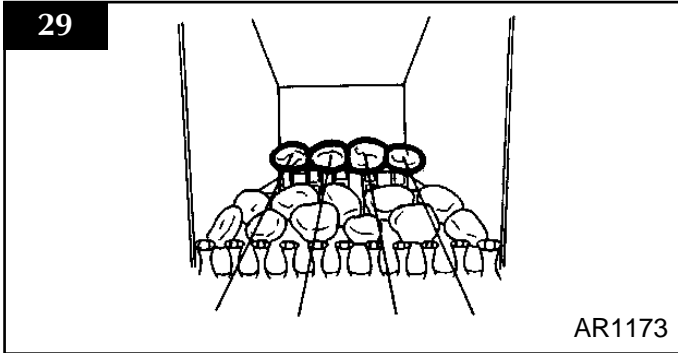
- 6.13 Working from the outside of the appliance, place the second row of pebbles against the rear of the first row. Note the orientation of each pebble, as this is important to the performance of the fire. See diagram 28.



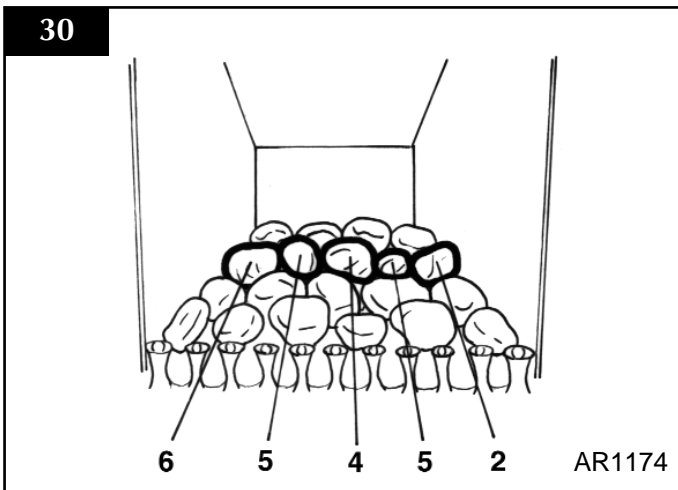
INSTALLATION INSTRUCTIONS

INSTALLATION

6.14 Place the rear row of pebbles on top of the flame baffle, these must touch the rear panel. See diagram 29.



6.15 Place the remaining five pebbles between the second and rear rows. See diagram 30.

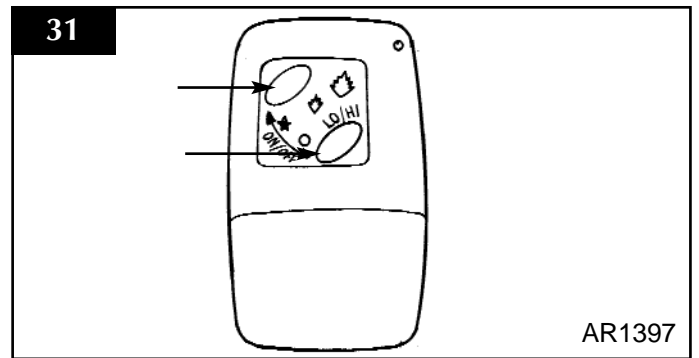


11. LIGHTING THE FIRE

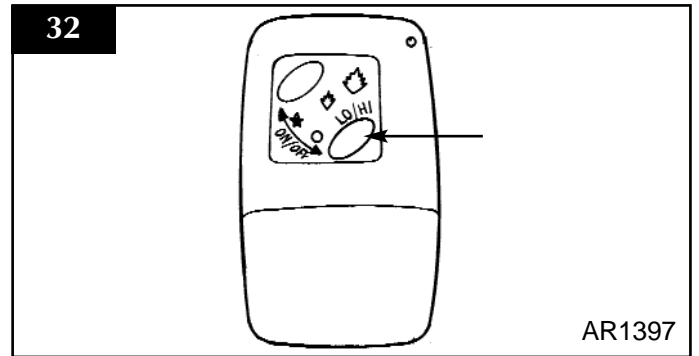
There are two methods for lighting the appliance. One method is using the remote control handset, the other is using the touch pad situated beneath the appliance on the right hand side.

REMOTE CONTROL

11.1 Press and continue to hold the two buttons to start the ignition sequence. Once the pilot has begun to spark the buttons can be released. After approximately ten seconds the main burner will light on high. See diagram 31.



11.2 To control the flames between high and low, press the lower button once in each case. See diagram 32.

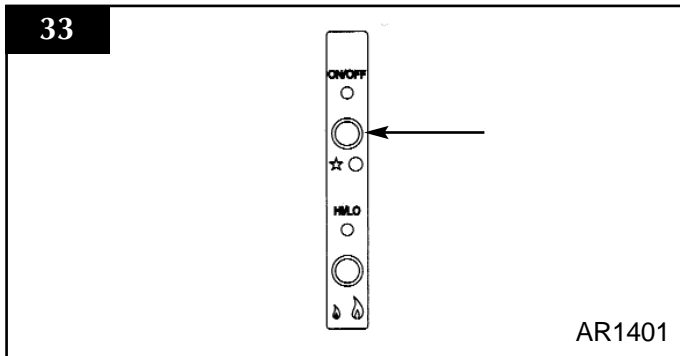


INSTALLATION INSTRUCTIONS

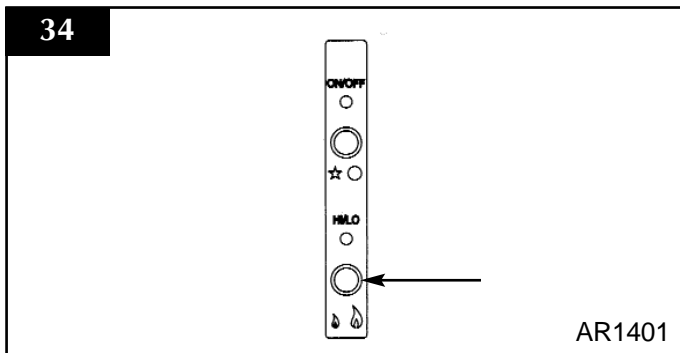
INSTALLATION

TOUCH PAD

- 2.3 Press and continue to hold the on/off button to start the ignition sequence. Once the pilot has begun to spark the button can be released. After approximately ten seconds the main burner will light on high. See diagram 33.



- 2.4 To control the flames between high and low, press the HI/LO button once in each case. See diagram 34.

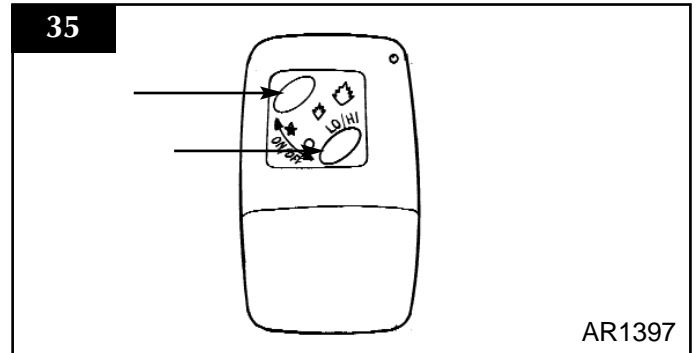


THE YELLOW FLAMES WILL APPEAR WHEN THE FIRE HAS GAINED SUFFICIENT HEAT - TYPICALLY 10 TO 20 MINUTES.

12. TURNING THE FIRE OFF

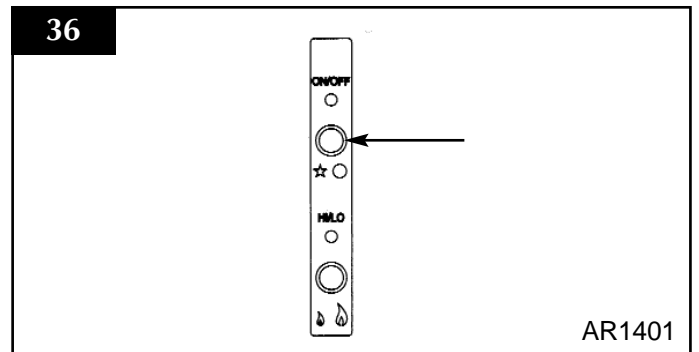
REMOTE CONTROL

- 3.1 Press the two buttons together and this will turn the appliance off including the pilot. See diagram 35.



TOUCH PAD

- 3.2 Press the ON/OFF button once and this will turn the appliance off including the pilot. See diagram 36.

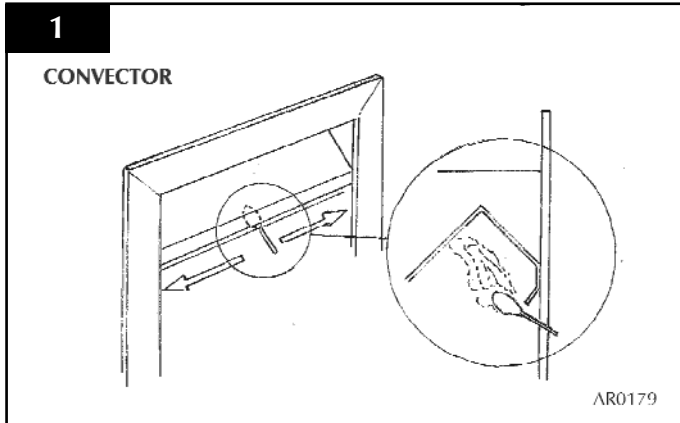


INSTALLATION INSTRUCTIONS

COMMISSIONING / SERVICING

1. COMMISSIONING

- 1.1 Close all windows and doors to the room, check all controls, and allow fire to burn on maximum for 5 minutes. Test for spillage of flue products using a smoke match. Pass the lighted smoke match along the top front edge just inside the opening or canopy. See diagram 1.



- 1.2 If there are extractor fans in the room or adjacent rooms, the spillage test must be repeated with the extractors running on maximum.

IF SPILLAGE PERSISTS, DISCONNECT THE APPLIANCE AND SEEK EXPERT ADVICE.

For future reference record the installation details on the commissioning sheet on page 3 of these instructions.

1. SERVICING REQUIREMENTS

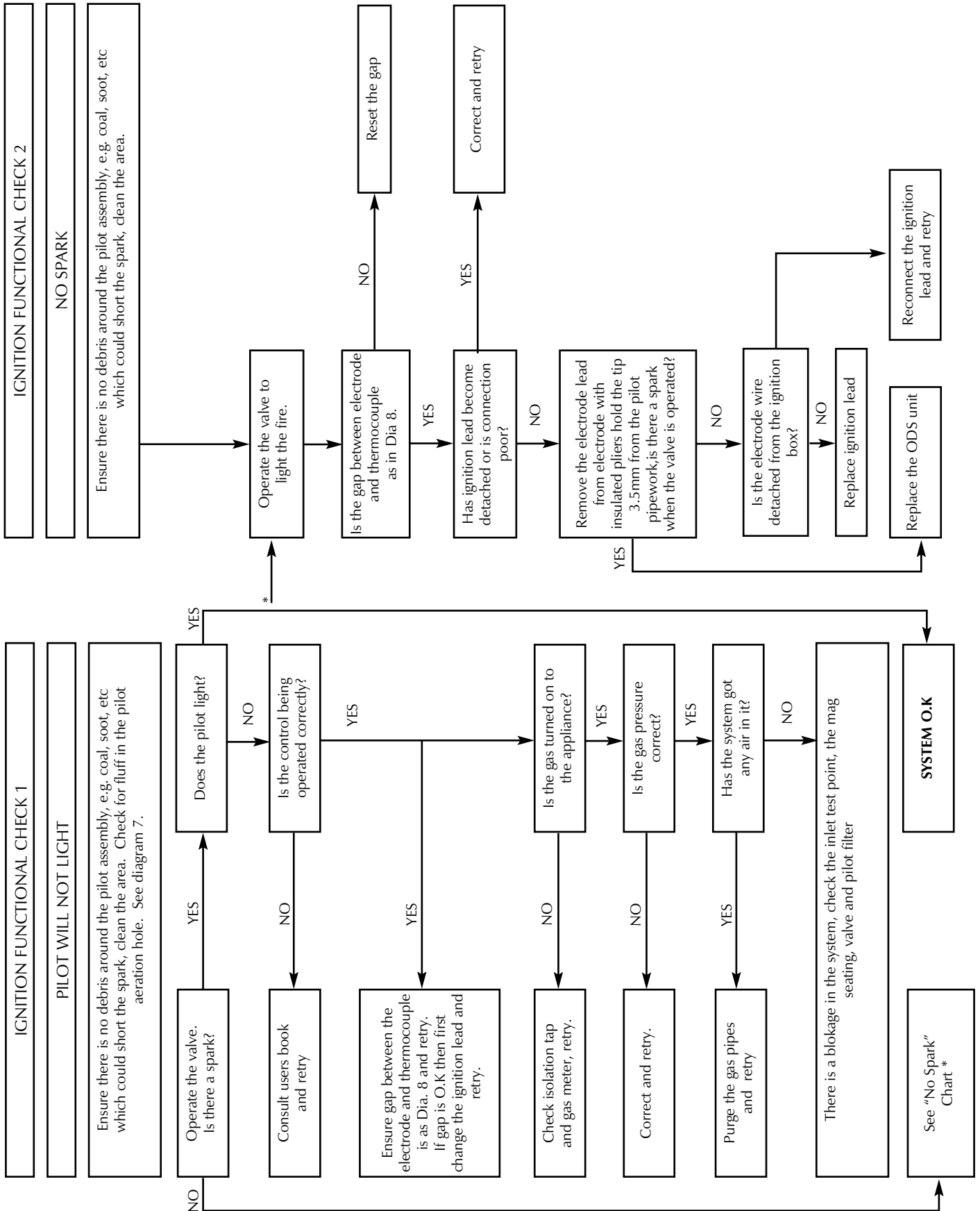
This appliance must be serviced at least once a year by a competent person.

All tests must be serviced by best practice as described by the current CORGI recommendations.

- 1.1 Before any tests are undertaken on the appliance, conduct a gas soundness test for the property to ensure that there are no gas leaks prior to starting work.
- 1.2 Before any tests are undertaken on the appliance it is also recommended to fully check the operation of the appliance.
- 1.3 Special checks
- 1.3.1 Clean any lint or fluff from the pilot - pay particular attention to the aeration hole in the side of the pilot.
- 1.3.2 Clean away any fluff or lint from under the burner
- 1.3.3 Check that the spark gap on the pilot is correct.
- 1.4 Correct any faults found during the initial tests and then recommission the appliance conducting the usual safety checks.
- 1.5 Advise the customer of any remedial action taken.
- 1.6 If the 230v mains lead is damaged it must be replaced by a competent person

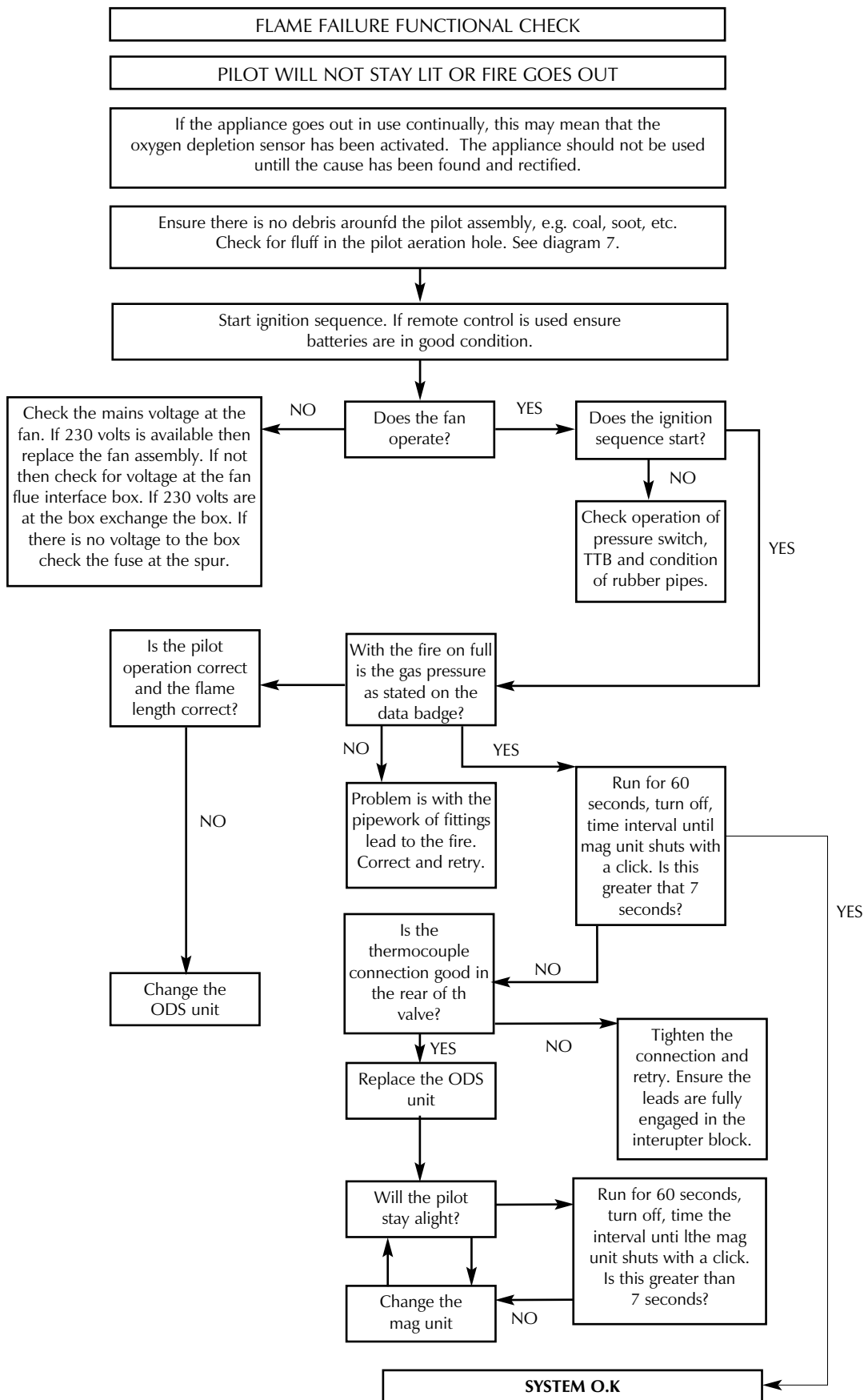
SERVICING INSTRUCTIONS

FAULT FINDING CHARTS



SERVICING INSTRUCTIONS

FAULT FINDING CHARTS



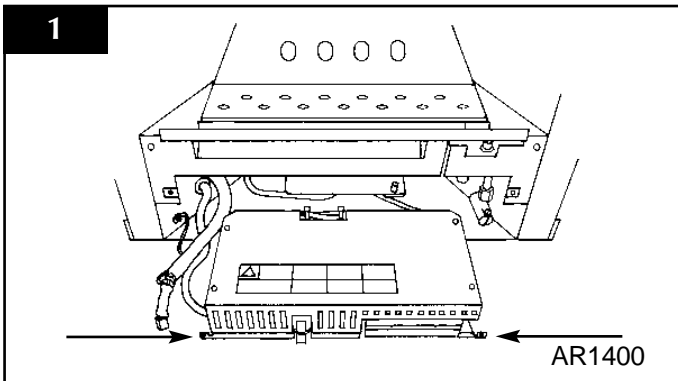
SERVICING INSTRUCTIONS

REPLACING PARTS

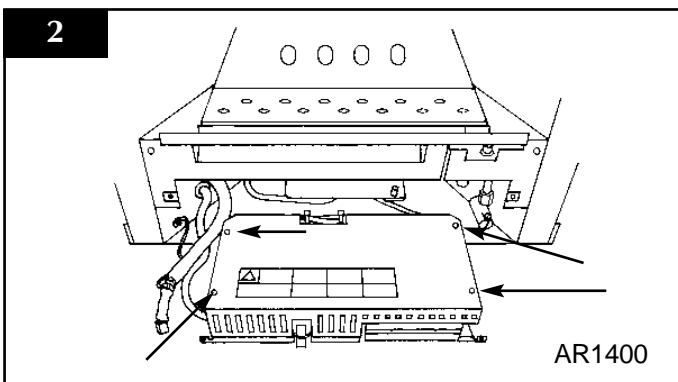
1. GENERAL

In order to service most of the following parts on the appliance, it will be necessary to remove the burner unit from the firebox. To remove the burner unit proceed as follows.

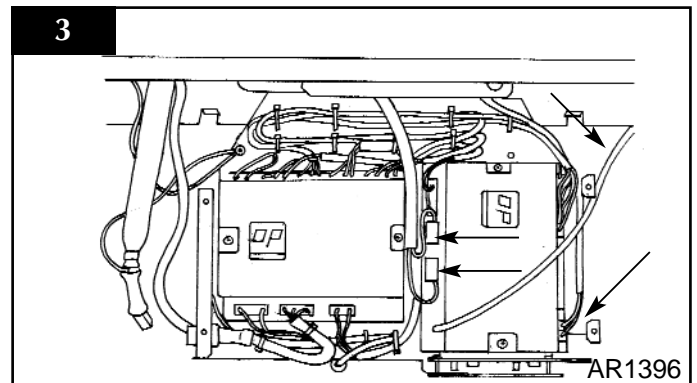
- 1.1 Turn off the gas supply at the isolation device located under the appliance.
- 1.2 Disconnect the electrical supply at the fused spur.
- 1.3 Disconnect the gas supply pipe leaving the isolation device on the supply pipe and not the appliance.
- 1.4 Remove the loose coals or pebbles and place on a dry clean surface.
- 1.5 Remove the decorative frame, fret and ash cover. There are two screws securing the frame to the appliance. Refer to frame instructions.
- 1.6 Remove the front coal, flame baffle and all the ceramic liners. All these items are very fragile so store them carefully.
- 1.7 Remove the two screws from the front of the cassette. See diagram 1.



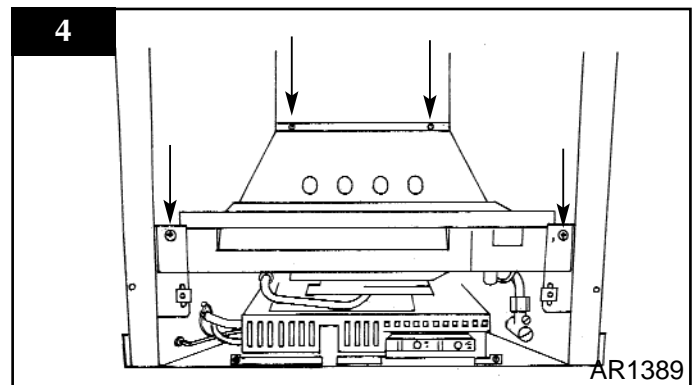
- 1.8 Pull the cassette gently forward and remove the four screws securing the lid. See diagram 2



- 1.9 Disconnect the ignition lead and thermocouple interrupter leads. See diagram 3.



- 1.10 Remove the four screws from the burner assembly. This can now be lifted from the fire box. See diagram 4.



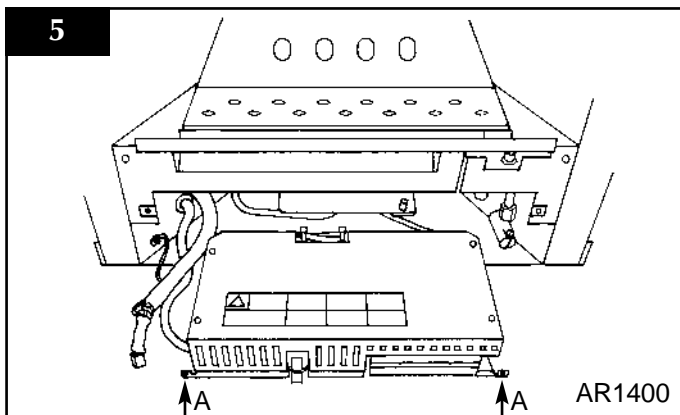
- 1.11 Reassemble in reverse order ensuring the following points,
 - 1) The ignition lead exits the cassette between the front and rear legs on the right hand side.
 - 2) The motor lead and thermocouple interrupter leads are not trapped behind the cassette when pushing it under the fire.
 - 3) Ensure no leads are trapped under the lid when replacing this component.

SERVICING INSTRUCTIONS

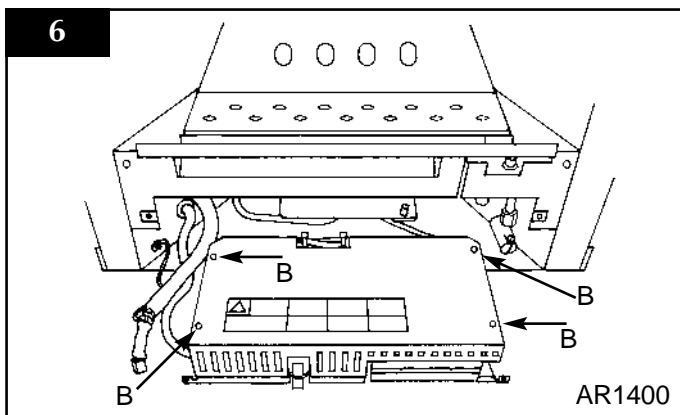
REPLACING PARTS

2. IGNITION LEAD

- 2.1 Isolate the mains supply and remove the coals or pebbles. There is no need to remove any other ceramic components.
- 2.2 Remove the fire front and place to one side.
- 2.3 Remove the two screws from the front of the cassette. See diagram 5.

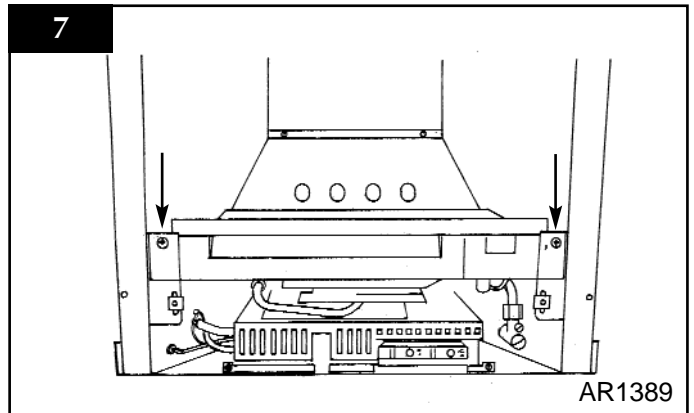


- 2.4 Pull the cassette forward and remove the four screws from the lid. See diagram 6.



- 2.5 Remove the two screws from the front of the burner unit that also secures the airguide. This is to assist with replacing the ignition lead onto the electrode. See diagram 7.

7



- 2.6 Remove the ignition lead from the control box and the electrode, replace with a new component and reassemble in reverse order.

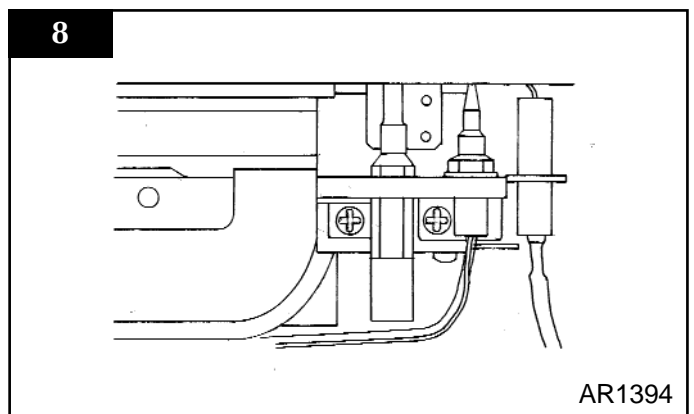
3. ODS PILOT UNIT

Note: The pilot unit on the appliance is a non serviceable unit due to the complex nature of its manufacture. Replacement of the complete unit must be carried out when one of the following items becomes faulty:

Pilot injector
Ignition electrode
Thermocouple

- 3.1 Remove the fire, refer to section 1.
- 3.2 Remove the two screws securing the pilot assembly. See diagram 8.

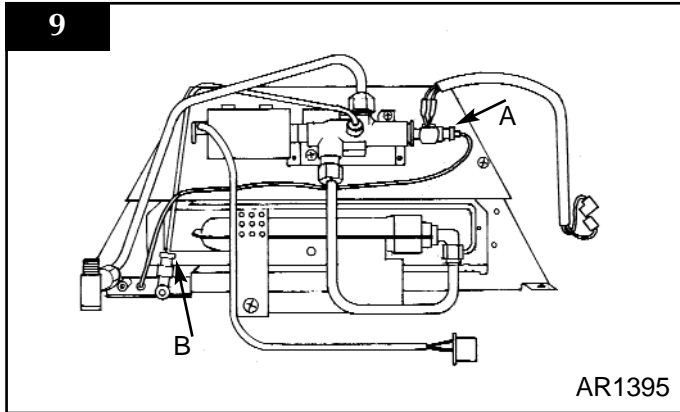
8



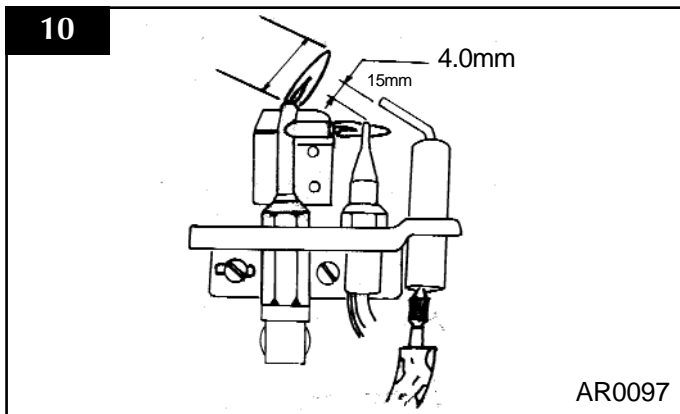
SERVICING INSTRUCTIONS

REPLACING PARTS

- 3.3 Undo the thermocouple connection at the back of the gas valve and the pilot pipe at the pilot elbow. See diagram 9 arrows A and B.



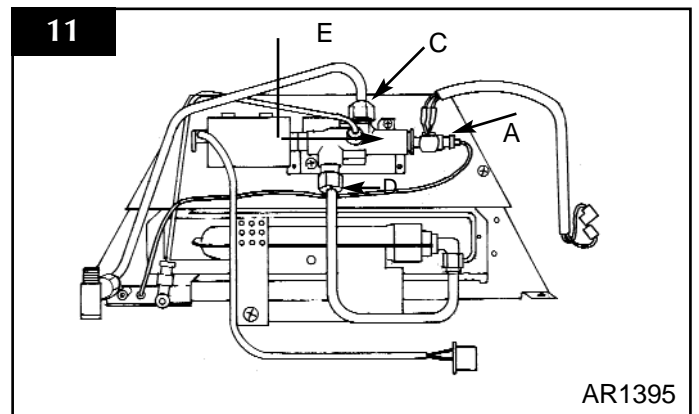
- 3.4 Replace with a new pilot assembly, set the spark gap. See diagram 10.



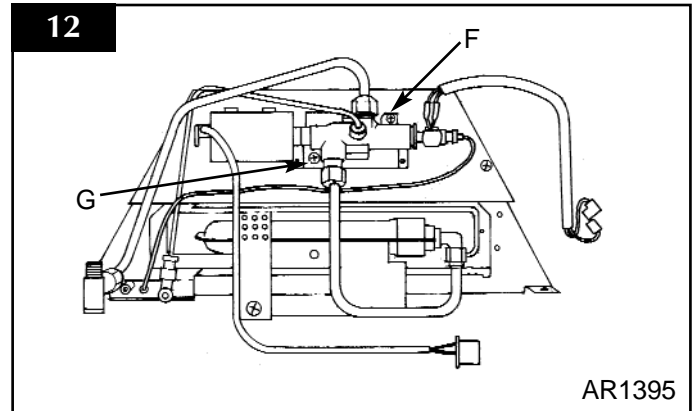
- 3.5 After reassembly, check for gas soundness and carry out a flame failure functional check details in the flow chart, especially the mag drop out time.

4. GAS VALVE

- 4.1 Remove the fire, refer to section 1.
- 4.2 Disconnect the 2x8mm and 1x4mm gas pipe fittings on the gas valve and also disconnect the thermocouple, and interrupter block see diagram 11.



- 4.3 Remove the two screws securing the valve. See diagram 12



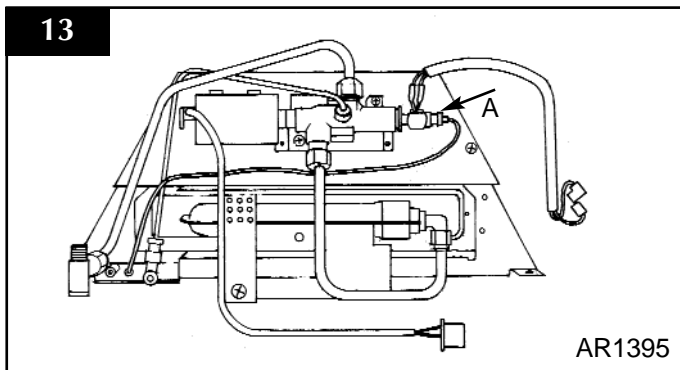
- 4.4 Replace in reverse order.
- 4.5 Check all joints for gas leaks, check operation of the thermocouple.

SERVICING INSTRUCTIONS

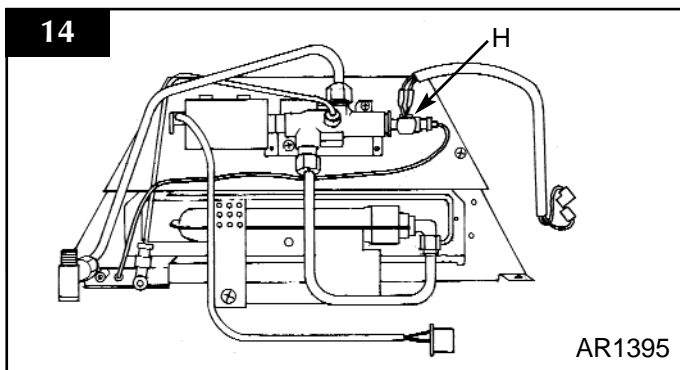
REPLACING PARTS

5. MAG UNIT

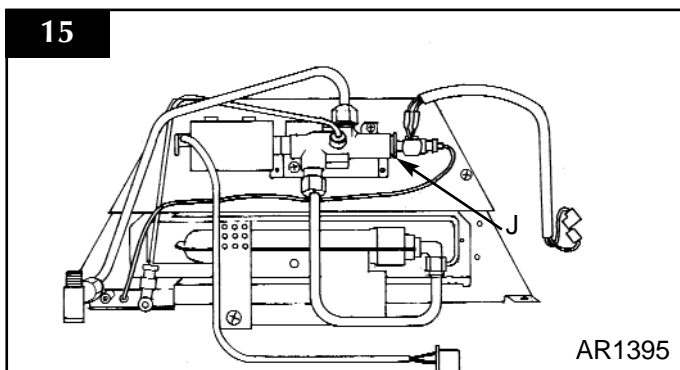
- 5.1 Remove the fire, refer to section 1.
- 5.2 Undo the thermocouple nut. See diagram 13.



- 5.3 Remove the thermocouple interrupter block. See diagram 14.



- 5.4 Undo the mag unit retaining nut at the back of the valve. See diagram 15.

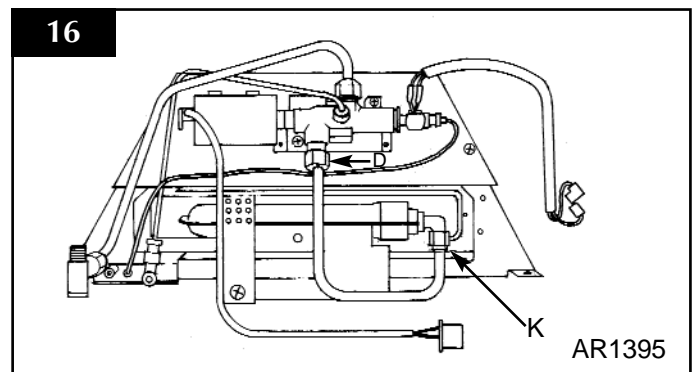


- 5.5 After removing the retaining nut, the mag unit can be tapped out and a replacement fitted.
- 5.6 Replace the mag unit retaining nut and tighten. Note - this is a gas-tight seal.

- 5.7 Replace the thermocouple and interrupter block. Check for gas leaks.
- 5.8 After reassembly, carry out the flame failure functional check as detailed in the flow chart, especially the mag unit drop out time.

6. MAIN INJECTOR

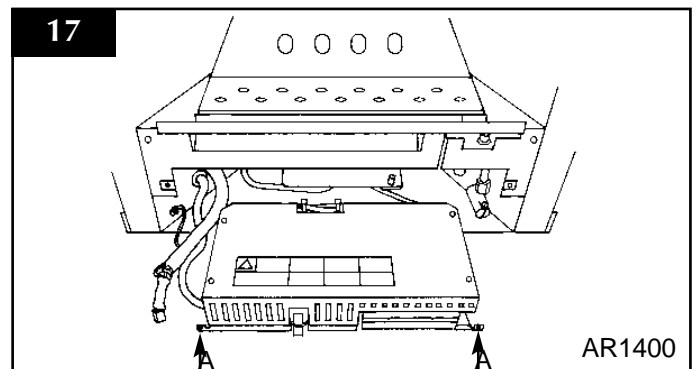
- 6.1 Remove the fire, refer to section 1.
- 6.2 With the fire removed, undo the injector compression nut and valve nut (see diagram 16 arrows D and E), pull the pipe clear of the injector body.



- 7.3 Rotate the injector until it is fully removed.
- 7.4 Replace with the correct replacement injector. When ordering, always state the model, gas type and serial number.
- 7.5 Reassemble and turn the gas supply on, check for any leaks.

7. ELECTRONIC CONTROL BOXES

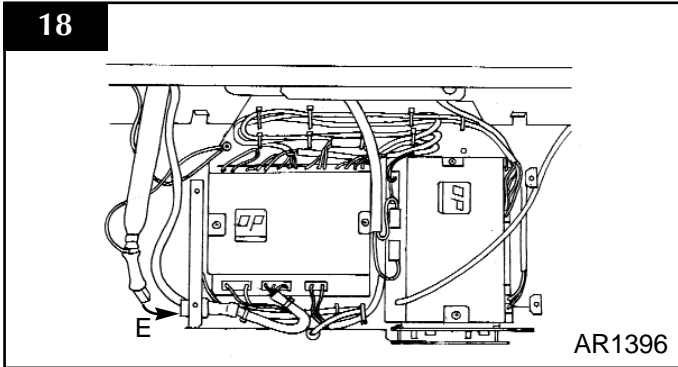
- 7.1 Isolate the mains supply and remove the ash pan cover.
- 7.2 Remove the two screws retaining the cassette. See diagram 17.



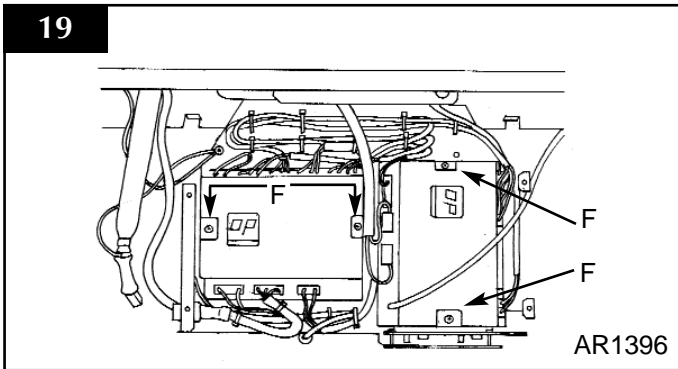
SERVICING INSTRUCTIONS

REPLACING PARTS

- 7.3 Unplug the fan cable from the left-hand side of the cassette, this will allow the cassette to be pulled as far forward as the earth lead will allow. See diagram 18.



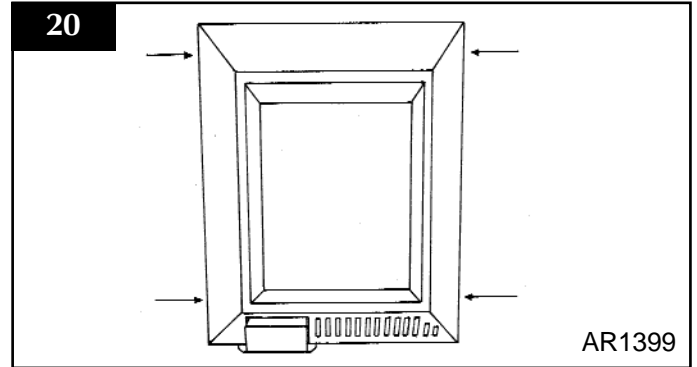
- 7.4 Remove the four screws from the cassette lid. The two control boxes are now accessible.
- 7.5 Remove the plugs from the box to be removed, note their positions. Some cable ties might need to be cut, so replace with the new ones on reassembly.
- 7.6 Remove the two screws from the box that is to be replaced. See diagram 19.



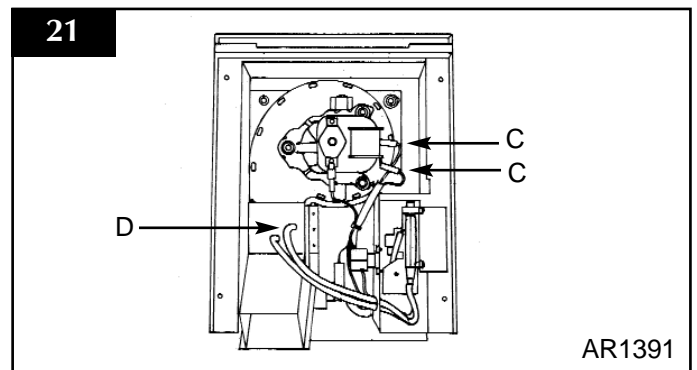
- 7.7 Reassemble in reverse order and ensure the cable from the valve motor and the thermocouple leads are curled up onto the rear of the cassette.

8. FAN ASSEMBLY

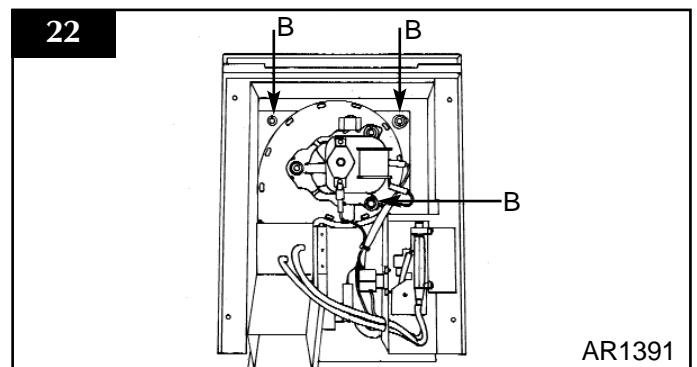
- 8.1 Isolate the mains supply and remove the fan cover. See diagram 20



- 8.2 Disconnect the live neutral and earth cables from the fan motor. Also remove the two white rubber pipes noting their orientation. See diagram 21.



- 8.3 Remove the three retaining nuts and pull the fan forwards to clear the studs. See diagram 22.



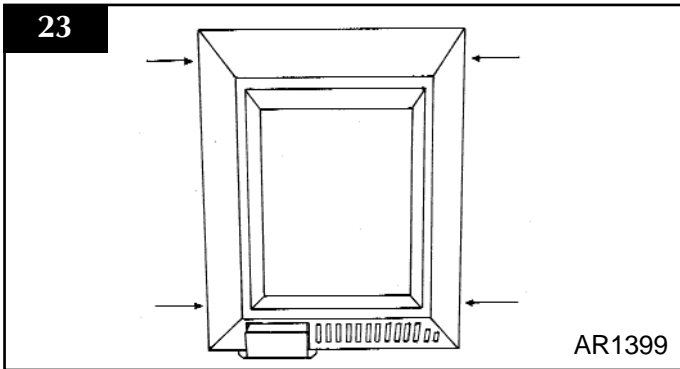
- 8.4 Reassemble in reverse order. The fan cannot be replaced individually, it has to be a complete assembly.

SERVICING INSTRUCTIONS

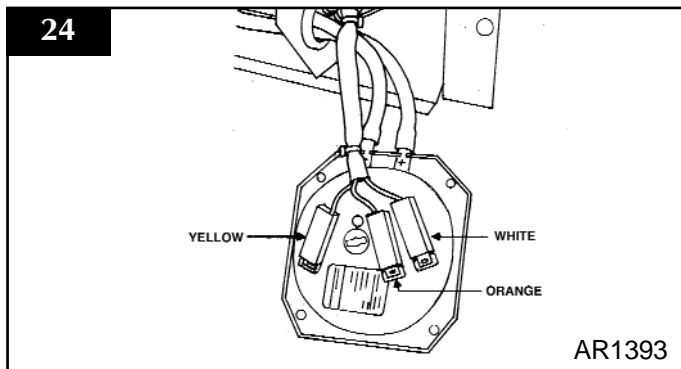
REPLACING PARTS

9. PRESSURE SWITCH

9.1 Isolate the mains supply and remove the four screws from the fan cover. See diagram 23.



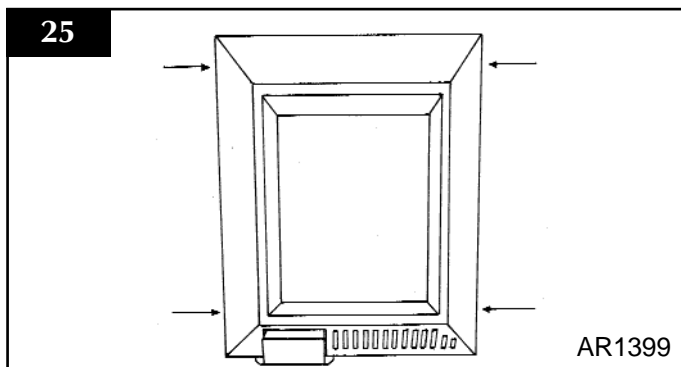
9.2 Remove the two nuts & bolts from the pressure switch. Remove the two white rubber tubes and the three wires from the switch. Note their positions. See diagram 24.



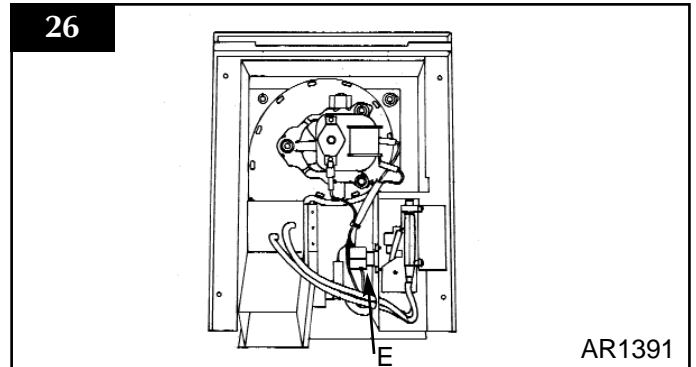
9.3 Reassemble in reverse order and check the operation of the switch.

10. OVERHEAT SWITCH

10.1 Isolate the mains supply and remove the four screws from the fan cover. See diagram 25.



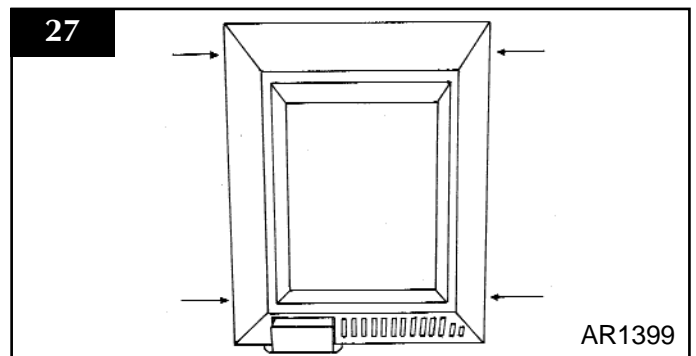
10.2 Remove the two wires and two screws from the switch. See diagram 26.



10.3 Replace the switch and reassemble in reverse order.

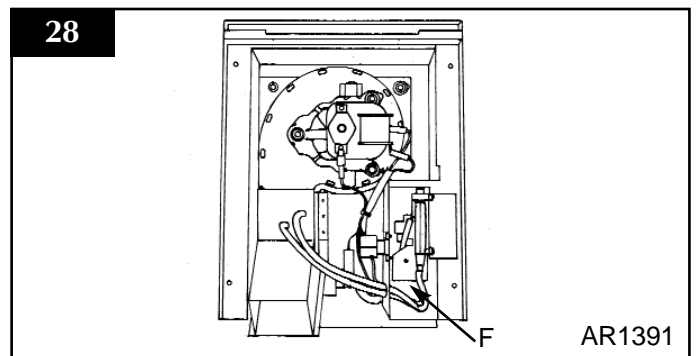
11. RESISTOR

11.1 Isolate the mains supply and remove the four screws from the fan cover. See diagram 27.



11.2 Remove the wires from the fan motor and overheat switch. Remove the two screws from the pressure switch and disconnect the wires.

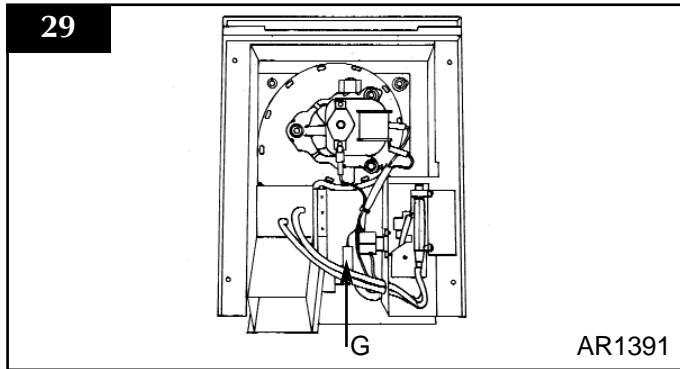
11.3 Disconnect the plug that links the two harnesses together. See diagram 28.



SERVICING INSTRUCTIONS

REPLACING PARTS

- 11.4 Remove the two screws from the resistor, pass the cables through the rubber grommet. It may be necessary to remove the white rubber tubes to assist this operation. See diagram 29.



- 11.5 Reassemble in reverse order and ensure all connections are in their correct positions. Ensure the rubber tubes are not kinked.

12. CHANGING BETWEEN GAS TYPES

The following parts must be changed when converting an appliance from one gas type to another:

Burner assembly A8316 (NG) AP8316 (LPG)

Databadge PR0393L

Note: The control valve will be set for the particular appliance and gas type. In all instances, when ordering new parts, be sure to quote the appliance type and serial number.

Use only genuine Gazco replacement parts. Non-standard components will invalidate the guarantee and may be dangerous.

13. SPARES PART LISTS

CERAMIC PARTS	
FRONT COAL. BLAC	CE0500
FRONT COAL. GREY	CE0501
FLAME BAFFLE. BLACK	CE0402
FLAME BAFFLE. GREY	CE0403
BURNER COVER GASKET	CE0273
CONVECTOR SIDE LH	CE0408
CONVECTOR SIDE RH	CE0409
CONVECTOR REAR PANEL	CE0410
CONVECTOR TOP PANEL	CE0411
COAL SET	CE0412
PEBBLE SET	CE0455
NATURAL GAS PARTS	
MAIN INJECTOR	IN0045
PILOT ASSEMBLY	PI0036
GAS VALVE	GC0108
LPG PARTS	
MAIN INJECTOR	IN0025
PILOT ASSEMBLY	PI0037
GAS VALVE	GC0108
MISCELLANEOUS	
IGNITION LEAD	GLO284
MAG UNIT	GC0111
EDB BOX	EL0282
FAN FLUE INTERFACE BOX	EL0285
CONTROL PANEL	EL0283
REMOTE HAND SET	EL0288
BATTERIES 12V	EL0297
INTERRUPTER BLOCK	GC0026
FAN ASSEMBLY	GZ4573
PRESSURE SWITCH	EL0280
RESISTOR HARNESS	HL0294
OVER HEAT STAT	EL0063
HARNESS FAN TO FIRE	EL0293

Gazco Limited, Osprey Road, Sowton Industrial Estate, Exeter, Devon, England EX2 7JG
Tel: (01392) 261999 Fax: (01392) 444148 E-mail: info@gazco.com

A member of the Stovax Group