

GAZCO



Marlborough & Stockton Log Effect Stove Range Conventional Flue

With upgradeable control valve

Instructions for Use, Installation and Servicing

For use in GB, IE (Great Britain and Eire)

This appliance has been certified for use in countries other than those stated. To install this appliance in these countries, it is essential to obtain the translated instructions and in some cases the appliance will require modification. Contact Gazco for further information.

IMPORTANT

Do not attempt to burn rubbish in this fire. This stove must only be operated with the door secured firmly in position. The outer casing of this stove will become hot whilst in operation, it is therefore recommended that the appliance be guarded to protect the young and infirm using a suitable guard.

Ensure that fabrics such as curtains are not positioned above or near to the stoves outer casing.

**Please read these Instructions carefully and keep them in a safe place.
They will be needed when servicing the fire.**

The commissioning sheet found on page 3 should be completed by the installer.

CONTENTS

COVERING THE FOLLOWING MODELS

MARLBOROUGH - 8610 - P8610

STOCKTON - 8617 - P8617

| | PAGE |
|--|-----------|
| APPLIANCE COMMISSIONING CHECKLIST | 3 |
| USER INSTRUCTIONS | 4 |
| INSTALLATION INSTRUCTIONS | 8 |
| Technical Specifications | 8 |
| Site Requirements | 9 |
| Installation | 10 |
| Commissioning | 14 |
| SERVICING INSTRUCTIONS | 15 |
| Servicing Requirements | 15 |
| Fault Finding | 16 |
| How to replace parts | 17 |
| Basic spare parts list | 21 |

APPLIANCE COMMISSIONING CHECKLIST

IMPORTANT NOTICE

Explain the operation of the appliance to the end user, hand the completed instructions to them for safe keeping, as the information will be required when making any guaranteed claims.

| FLUE CHECK | PASS | FAIL | |
|--|--|------|----|
| 1. Flue is correct for appliance | | | |
| 2. Flue flow test | | | |
| 3. Spillage test | | | |
| GAS CHECK | | | |
| 1. Gas soundness & let by test | | | |
| 2. Standing pressure test | mb | | |
| 3. Appliance working pressure (on High Setting) NB All other gas appliances must be operating on full | mb | | |
| 4. Gas rate | m ³ /h | | |
| 5. Does ventilation meet appliance requirements | | | |
| 6. Have controls been upgraded (Upgradeable models only) | 8455 Standard | YES | NO |
| | 8456 Programmable Thermostatic and Timer | YES | NO |

DEALER AND INSTALLER INFORMATION

Dealer.....

Installation Company.....

Contact No.

Engineer

Date of Purchase.....

Contact No.

Model No.

Corgi Reg No.

Serial No.

Date of Installation.....

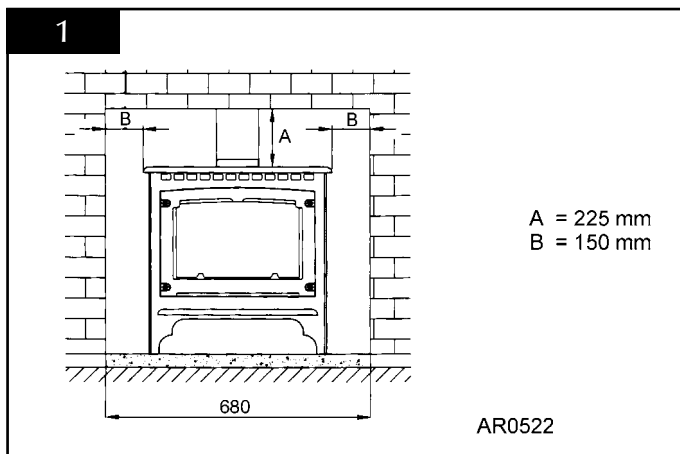
Gas Type.....

This product is guaranteed for 2 years from the date of installation, as set out in the terms and conditions of sale between Gazco and your local Gazco dealer. **This guarantee will be invalid, to the extent permitted by law, if the above Appliance Commissioning Checklist is not fully completed by the installer and available for inspection by a Gazco engineer.** The guarantee will only be valid during the second year, to the extent permitted by law, if the annual service recommended in the Instructions for Use has been completed by a Corgi registered engineer, and a copy of the service visit report is available for inspection by a Gazco engineer.

USER INSTRUCTIONS

1. GENERAL

- 1.1 Installation and servicing must be carried out by a competent person in accordance with Gas Safety (Installation and Use) Regulations 1998, the relevant British Standards for Installation, appropriate Codes of Practice and in accordance with the manufacturers instructions. It is recommended that a CORGI registered engineer be used for this purpose as they are approved by the HSE under the above regulations.
- 1.2 This appliance is suitable for use in G.B. and I.E. using Natural Gas at a supply pressure of 20mbar or LPG at a supply pressure of 28mbar (Butane) or 37mbar (propane).
- 1.3 The installation shall also be completed in accordance with:
The Building Regulations issued by The Department of The Environment.
The Building Standards (Scotland) Regulations issued by the Scottish Development Department.
For Republic of Ireland, reference should be made to the relevant standards governing installations (IS813:1996)
- 1.4 Read all these instructions before commencing installation.
- 1.5 This appliance must be installed in accordance with the rules in force and only used in a sufficiently ventilated space.
- 1.6 Ensure that curtains are not positioned above the stove, and that there is at least a clearance of 300mm between the sides of the stove and any curtains.
- 1.7 The manufacturer considers the full outer casing of this stove to be a working surface. Therefore it will become hot whilst in operation. A suitable guard is recommended to protect young children, the aged and the infirm.
- 1.8 This stove must only be operated with the door secured firmly in position. If any cracks appear in the glass the appliance must not be used until the glass panel is replaced.
- 1.9 Do not attempt to burn rubbish in this stove.
- 1.10 Any combustible shelves or surrounding furniture must only be fitted in accordance with the minimum dimensions detailed in diagram 1.



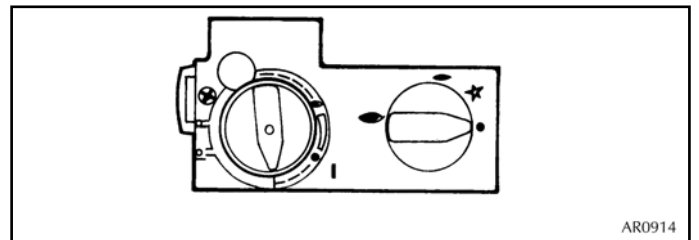
- 1.11 Contact a competent service engineer to carry out relevant spillage checks etc. following home improvements carried out after installation of this stove (e.g. the fitting of double

glazing).

- 1.12 In all correspondence, please quote the appliance type and serial number which can be found on the databadge at the rear of the stove.
- 1.13 This product is guaranteed for 2 years from the date of installation, as set out in the terms and conditions of sale between Gazco and your local Gazco dealer. Please consult with your local Gazco dealer if you have any questions. In all correspondence always quote the model No. and serial No. **Please ensure the commissioning checklist is completed by your installer, as this is a requirement of your Guarantee.**

2. LIGHTING THE APPLIANCE

- 2.1 Locate the control valve on the appliance. There are two control knobs on the valve, the right hand knob controls the pilot ignition and the left hand knob controls the main burner.
- 2.2 If your appliance has already been upgraded to battery remote control, please refer to the instructions provided with the upgrade to operate the remote control. The following instructions will work for either situation.



- 2.3 Ensure that the left-hand control knob is pointing to off (●).
- 2.4 Ensure that the right hand control knob is pointing to off (●).
- 2.5 Press in the right hand control knob and rotate it anti-clockwise until a click is heard (keep pressing in) and the knob is pointing to pilot (◐). The pilot should now light. If the pilot has not lit, repeat the procedure until it does.
- 2.6 Keep the control knob pressed for 10 seconds and then release it, the pilot should stay alight. If the pilot goes out, repeat the procedures until it does.
- 2.7 If the pilot will not light after repeated attempts, contact the retailer or installer from whom the appliance was purchased.
- 2.8 Turn the right hand control to point to main burner (◑). The appliance can now be controlled using the left hand control knob.
- 2.9 Turn the left hand control knob to point to low fire (◑), the main burner will light on low. The burner can now be controlled between low and high settings. Turn the control knob anticlockwise increase the flame height and clockwise to decrease the flame height.

THE YELLOW FLAMES WILL APPEAR WHEN THE FIRE HAS GAINED SUFFICIENT HEAT - TYPICALLY 10 TO 20 MINUTES.

IF THE APPLIANCE IS EXTINGUISHED OR GOES OUT IN USE, WAIT 3 MINUTES BEFORE ATTEMPTING TO RE-LIGHT THE APPLIANCE.

USER INSTRUCTIONS

3. TURNING THE STOVE OFF

- 3.1 To turn the stove off, locate the control valve, turn the lefthand control knob until it points to off (●). The mainburnerwill go out leaving the pilot burning.
- 3.2 To turn the pilot off, locate the control valve, turn the right hand control knob until it points to off (●), the pilot will go out.

4. UPGRADING YOUR STOVE

- 4.1 Your stove is fitted with a control valve that can easily be upgraded to battery powered remote control. This upgrade can be fitted by anyone capable of simple DIY jobs and requires no special training. There are two versions of this control which can be obtained through your local Gazco stockist.
- 4.2 **STANDARD REMOTE CONTROL** This remote control can control the gas appliance after the pilot has been lit. It can turn the main burner on and regulate it from low through to high and back again. It can turn the main burner off leaving the pilot burning GAZCO PART NUMBER 8455.
- 4.3 **THERMOSTATIC AND TIMER REMOTE CONTROL** This remote control can control the gas appliance after the pilot has been lit. In 'MANUAL MODE' it can be used to turn the main burner on and manually regulate it from low through to high and back again. It can also be used to turn the main burner leaving the pilot burning. In 'AUTO MODE' it will automatically regulate the room temperature to a pre-set temperature. In 'TIMER MODE' it will turn the fire on and off according to a pre-set programme and automatically regulate the room temperature during the two on periods. GAZCO PART NUMBER 8456

5. CLEANING THE FIRE

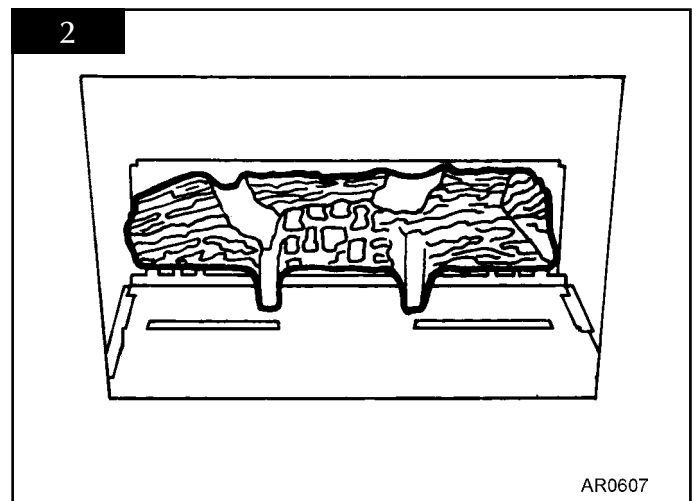
WARNING: DO NOT ATTEMPT TO CLEAN THE STOVE UNTIL IN A COLD CONDITION. THE STOVE RETAINS ITS HEAT FOR A CONSIDERABLE TIME AFTER SHUTDOWN.

NOTE: THE CAST IRON DOOR IS HEAVY, TAKE EXTREME CARE WHEN HANDLING.

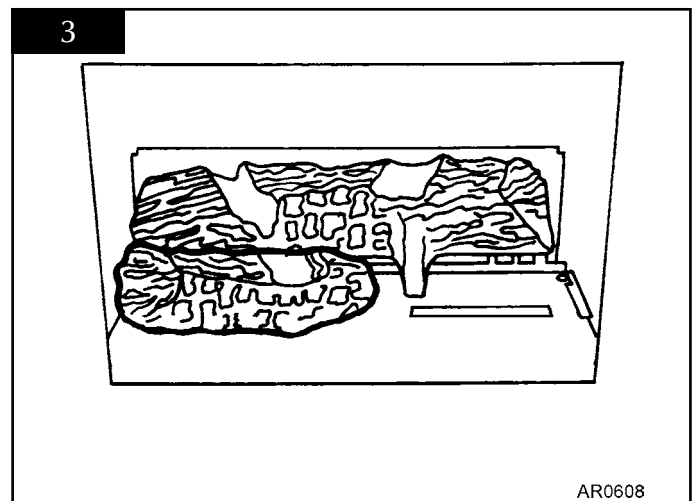
- 5.1 Remove the door by undoing the four brass dome nuts using the tool supplied and place to one side.
- 5.2 Carefully remove the ceramic fuel bed components and place to one side taking care to protect floor coverings etc, **PLEASE HANDLE WITH CARE.** The embers should be stored separately.
- 5.3 The logs should not require cleaning. Do not use a vacuum cleaner or brush to clean the logs, any large pieces of debris may be removed by hand.
- 5.4 Ensure any debris is removed from the burner ports.
- 5.5 Replace the ceramics by referring to section 6.
- 5.6 Use a damp cloth to clean the outer casing of the appliance.

6. FUELBED ARRANGEMENT

- 6.1 The fuel bed consists of 5 logs and some loose embers. The logs have letters A, B, C, D and E moulded into them for identification.
- 6.2 Take the rear log A and place it up against the rear of the fire sitting on the two flat ledges of burner. The two legs of the log should sit between the rear burner ports, See diagram 2.



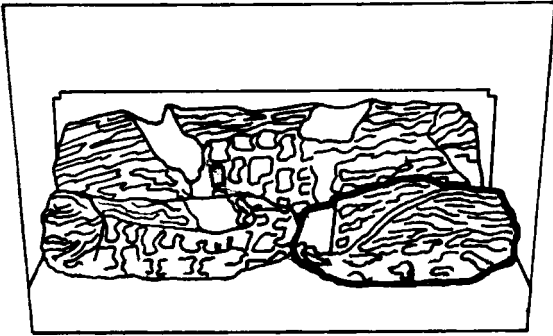
- 6.3 Place log B on the left hand side of the burner with the location bar on the underside of the log fully located in the long slot in the burner. Make sure the log is as far to the left as possible, see diagram 3.



- 6.4 Place log C on the right hand side of the burner with the location bar on the underside of the log fully located in the long slot in the burner. Make sure the log is as far to the right as possible, see diagram 4.

USER INSTRUCTIONS

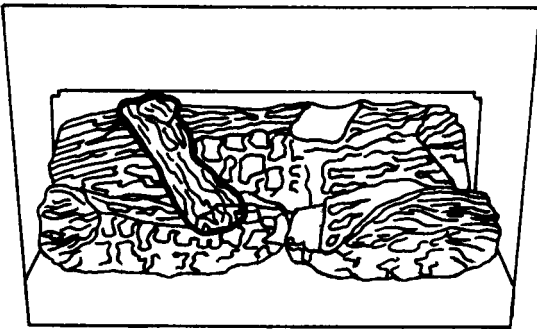
4



AR0609

- 6.5 Place log D across from the rear of log A to log B on the left hand side. There are cutouts in both logs for location. The half round end of log D should face forward showing a dark burnt effect, see diagram 5.

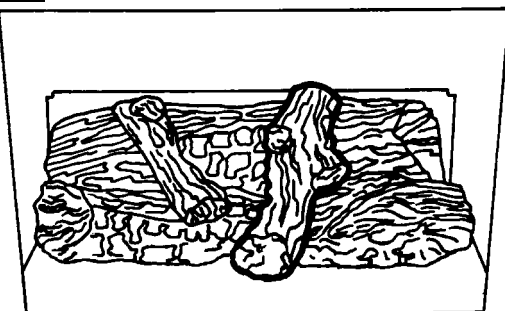
5



AR0610

- 6.6 Place log E across from the rear of log A to log C on the right hand side. Again, there are cutouts for location. Log E should have the small branch on the right hand side when installed correctly. The front of the log should sit on the burner skin and should fit tight to log C, see diagram 6.

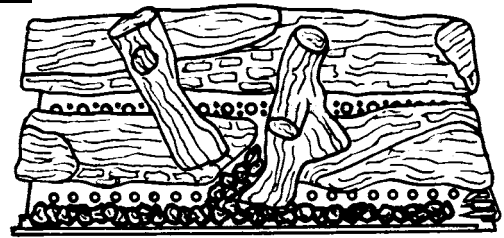
6



AR0611

- 6.7 Place the embers along the front of the burner so as to cover the front edge. These can be placed up to the front edge of the burner ports. It does not harm the performance of the stove if these cover the burner ports, but less yellow flames will be evident. Place a few embers between logs B and C in the centre of the burner. If any members remain, keep them in the bag for future use, see diagram 7.

7

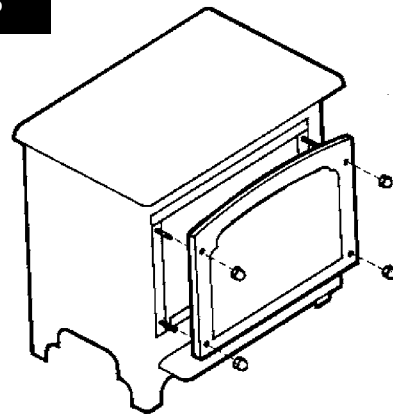


AR0612

ENSURE THAT THE LOGS ARE POSITIONED AS DETAILED ABOVE.

- 6.8 Ensure that the fibreglass seal on the back of the door is intact, located the door on the four studs and slide back to the firebox. Secure in place using the four brass dome nuts and the tool supplied, do not over tighten the nuts, see diagram 8. Keep the tool with these instructions for future use.

8



AR0390

NEVER OPERATE THE STOVE WHEN THE DOOR IS REMOVED OR WHEN THE GLASS IS BROKEN.

USER INSTRUCTIONS

7. GAZCO FLUE SURE SYSTEM

- 7.1 The stove is fitted with the Gazco Flue Sure System, which will act to cut off the gas supply to the burners in the event of incorrect operation of the flue. If the system acts to cut off the gas supply, this indicates that there is insufficient flue pull. If this occurs a minimum of 10 minutes should be allowed before trying to relight. Continued operation of this safety device means there may be a serious problem with the flue system. A qualified gas engineer should inspect this. **Do not use the stove until an engineer says it is safe to do so.**

8. THE FLAME FAILURE DEVICE

- 8.1 This is a safety feature incorporated in all GAZCO fires, which automatically switches off the gas supply if the pilot light goes out and fails to heat the thermocouple.

9. 'RUNNING IN'

- 9.1 The surface coating on your GAZCO stove will 'burn off' during the first 24 hours of operation on high, producing a harmless and temporary odour. If the odour persists ask your retail for advice.

10. SERVICING

- 10.1 A qualified gas engineer must service the stove every 12 months. In all correspondence, always quote the appliance type and the serial number that may be found on the data badge on the appliance.

11. VENTILATION

- 11.1 Any purpose provided ventilation should be checked periodically to ensure that it is free from obstruction.

12. INSTALLATION DETAILS

- 12.1 To assist in any future correspondence, your installer should have completed this commissioning sheet, this records the essential installation details of this appliance. In all correspondence always quote the model No. and serial No.

INSTALLATION INSTRUCTIONS

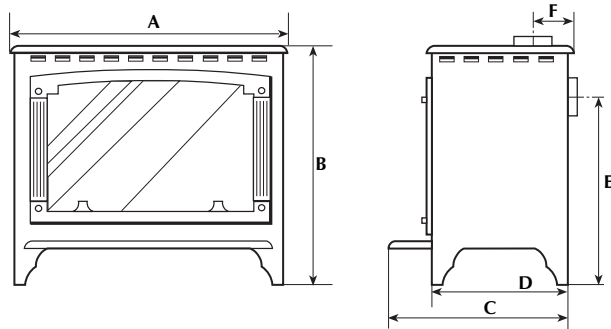
TECHNICAL SPECIFICATION

| Model CAT. | Gas | Gas Type | Working Pressure | NOX Class | Aeration | Injector | Gas Rate m ³ /h | Input kW (Gross) | | Country |
|---|-----------------|--------------------|-----------------------|--------------|----------|----------|-------------------------------|------------------|---------------|---------|
| | | | | | | | | High | Low | |
| Marlborough 8610 | I _{2H} | Natural Gas G20 | 20 mbar | 5 | ø14.5 | 390 | 0.615 | 6.45 Gross | 3.20 Gross | GB, IE |
| Marlborough P8610 | I _{3P} | LPG Propane G31 | 37 mbar | 5 | ø14.5x2 | 165 | 0.241 | 6.40 Gross | 3.20 Gross | GB, IE |
| Stockton 8617 | I _{2H} | Natural Gas G20 | 20 mbar | 5 | ø14.5 | 390 | 0.615 | 6.45 Gross | 3.20 Gross | GB, IE |
| Stockton P8617 | I _{3P} | LPG Propane G31 | 37 mbar | 5 | ø14.5x2 | 165 | 0.241 | 6.40 Gross | 3.20 Gross | GB, IE |
| Efficiency Class II Flue Outlet Size 127mm (5") ø Gas Inlet Connection Size 8mm ø | | | | | | | | | | |
| Minimum flue specification | | | T260 / N2 / O / D / 1 | | | | | | | |
| Maximum flue temperature | | | 180°C | | | | | | | |

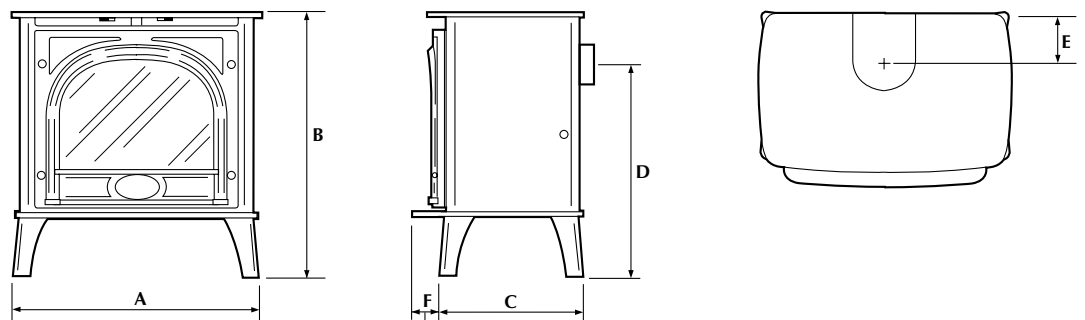
Packing Checklist

| Qty | Description |
|-----|-----------------------|
| 1 | Stove |
| 1 | Flue Blanking plate |
| 1 | Flue In fill plate |
| 1 | Log set (5 logs)* |
| 1 | Bag of embers* |
| 1 | Fixing kit containing |
| 1 | Instruction Manual |
| 2 | Wood screws |
| 2 | Rawlplugs |
| 1 | Box spanner |

*Packed in appliance



| A | | B | | C | | D | | E | | F | |
|--------------------------------|-----|-----|-----|--------------------------------|-----|-----|-----|--------------------------------|-----|-----|-----|
| ins | mm | ins | mm | ins | mm | ins | mm | ins | mm | ins | mm |
| 21 ¹ / ₂ | 548 | 23 | 583 | 16 ¹ / ₈ | 410 | 13 | 330 | 15 ³ / ₄ | 401 | 4 | 101 |



| A | | B | | C | | D | | E | | F | |
|--------------------------------|-----|---------------------------------|-----|--------------------------------|-----|--------------------------------|-----|-----|-----|-------------------------------|----|
| ins | mm | ins | mm | ins | mm | ins | mm | ins | mm | ins | mm |
| 22 ³ / ₄ | 579 | 24 ³ / ₁₆ | 618 | 13 ⁵ / ₈ | 345 | 16 ³ / ₄ | 425 | 4 | 102 | 2 ⁵ / ₈ | 66 |

INSTALLATION INSTRUCTIONS

SITE REQUIREMENTS

1. FLUE AND CHIMNEY REQUIREMENTS

- 1.1 The chimney or flue system must comply with the rules in force, and must be a minimum of 127mm in diameter. (5").
- 1.2 The minimum effect height of the flue or chimney must be 3 metres (10ft). Any horizontal flue run from the rear outlet should not exceed 100mm from the back of the appliance.
- 1.3 The chimney or flue must be free from any obstruction. Any damper plates should be removed or secured in the fully open position, and no restrictor plates should be fitted.
- 1.4 The chimney should be swept prior to the installation of the appliance. However, where it can be seen that the chimney is clean and unobstructed throughout its entire length, it need not be swept.

NOTE: If it is intended to fit the stove into a existing brick built chimney without a closure plate*, a 5" (127mm) liner must be used. Larger lined flues may work, but in some instances could cause cold start flue problems resulting in nuisance shutdown. Lined flues above 7" (175mm) are not recommended.

Due to recent changes to European chimney standards, new flue's and chimney's are now described by their temperature, pressure and resistance to corrosion, condensation and fire. To assist in identifying the correct flue system, the minimum flue specification is shown in the technical specification on page 8 of this book. Existing chimney's are not covered by this system.

* Closure Plate Installation

This appliance can be installed into a standard fireplace opening with the optional closure plate and spigot extension made for the appliance. Note the stove and plate will require removing, when carrying out the annual service. (Not suitable for precast letterbox flues).

2. VENTILATION

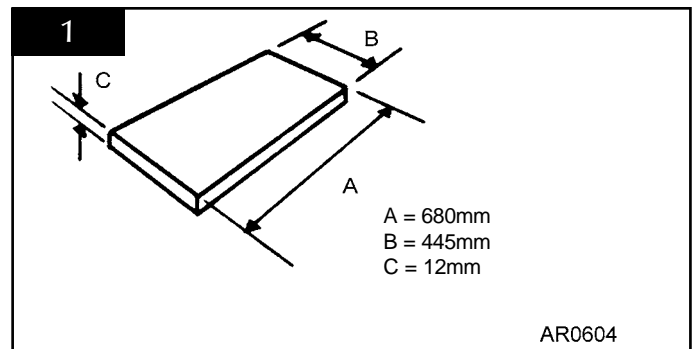
- 2.1 Consult the rules in force.
Note: This appliance does not normally require any additional ventilation when installed in G.B.

3. INSTALLATION OF THE GAS SUPPLY

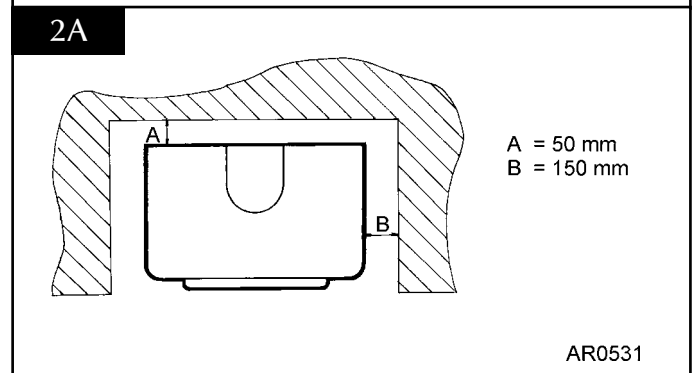
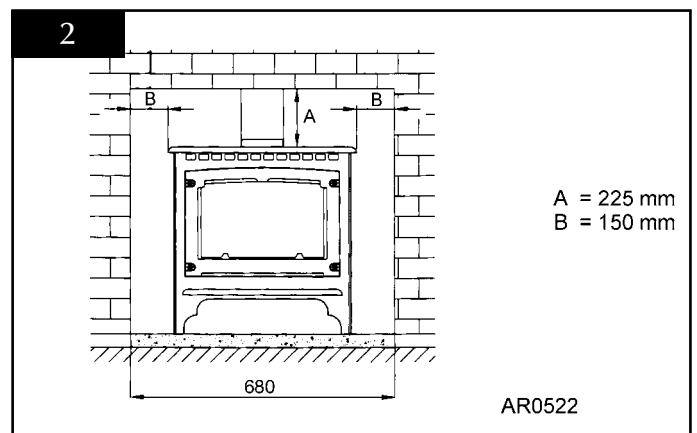
- 3.1 Before installation, ensure that the local distribution conditions (identification of the type of gas and pressure) and the adjustment of the appliance are compatible.
- 3.2 Ensure that the gas supply is capable of delivering the required amount of gas, and is in accordance
- 3.3 Soft copper tubing and soft soldered joints can be used but must not be closer than 50mm to the base of the tray.
- 3.4 A means of isolating the gas supply to the appliance must be provided independent of any appliance control.
- 3.5 All supply gas pipes must be purged of any debris that may have entered, prior to connection to the appliance.

4. APPLIANCE LOCATION

- 4.1 This appliance must stand on a non-combustible hearth that is at least 12mm thick, and project a minimum of 50mm from the base of the stove in all directions.



- 4.2 This appliance must not be installed in a room that contains a bath or shower.
- 4.3 The stove is not suitable for installation against a combustible wall; all combustible materials must be removed from the area behind the stove.
- 4.4 Ensure that all minimum clearances to combustible materials are complied with. See diagram 2 & 2A.



In a non-combustible recess attention must be given to allowing adequate clearance at the sides and rear of the stove, so that a spillage test can be performed, and the controls reached.

INSTALLATION INSTRUCTIONS

INSTALLATION

IMPORTANT: ENSURE THAT THE APPLIANCE IS CORRECTLY ADJUSTED FOR THE GAS TYPE AND CATEGORY APPLICABLE IN THE COUNTRY OF USE. REFER TO DATA BADGE AND TECHNICAL SPECIFICATIONS AT THE FRONT OF THIS BOOKLET. FOR DETAILS OF CHANGING BETWEEN GAS TYPES REFER TO SECTION 11 PAGE 20.

1. CONTROL UPGRADE

- 1.1 This stove is fitted with a control valve that can be easily upgraded to battery powered remote control. There are two versions of this control which can be obtained through your local Gazco stockist.
- 1.2 This upgrade can be fitted before or after installation but if side clearances are limited then it will be easier to upgrade the stove before installation. Full instructions are included with the kit.
- 1.3 **STANDARD REMOTE CONTROL** This remote control can control the gas appliance after the pilot has been lit. It can turn the main burner on and regulate it from low through to high and back again. It can turn the main burner off leaving the pilot burning. GAZCO PART NUMBER 8455.
- 1.4 **THERMOSTATIC AND TIMER REMOTE CONTROL** This remote control can control the gas appliance after the pilot has been lit. In 'MANUAL MODE' it can be used to turn the main burner on and manually regulate it from low through to high and back again. It can also be used to turn the main burner off leaving the pilot burning. In 'AUTO MODE' it will automatically regulate the room temperature. In 'TIMER MODE' it will turn the fire on and off according to a pre-set programme and automatically regulate the room temperature during two on periods. GAZCO PART NUMBER 8456

2. SAFETY PRECAUTIONS

- 2.1 This appliance must be installed in accordance with the rules in force, and used only in a sufficiently ventilated space. Please read these instructions before installation and use of this appliance.
- 2.2 All the instructions must be left intact with the user.
- 2.3 In your own interest, and those of safety, this appliance must be installed by a competent person in accordance with local and national codes of practice. Failure to install the appliance correctly could lead to prosecution.
- 2.4 This appliance is intended for use on a governed gas installation and set to the required pressure.
- 2.5 Keep all plastic bags away from young children.
- 2.6 Do not place any object on or near to the stove. Allow adequate clearance above the stove. See diagram 2 page 9.
- 2.7 The stove is fitted with the **Gazco Flue Sure System**, which will act to cut off the gas supply to the appliance in the event of incorrect operation of the flue. If the system acts to shut off the gas supply, this indicates that there is insufficient flue pull. If this occurs a minimum of 10 minutes

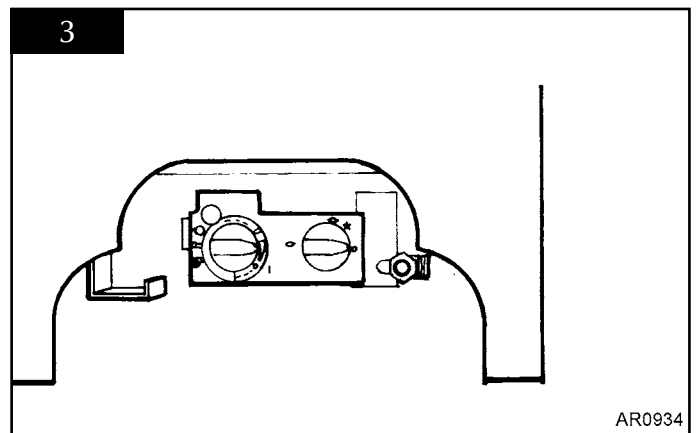
should be allowed before trying to relight. Continued operation of this safety device means that there may be a serious problem with the flue system; a qualified gas engineer should inspect this. **DO NOT USE THE STOVE UNTIL AN ENGINEER SAYS IT IS SAFE TO DO SO.**

- 2.8 The Flue Sure System must not be tampered with. Use only genuine Gazco replacement parts when servicing the system - refer to servicing section on page 15.

3. INSTALLATION OF THE STOVE

Flue Pipe Installation

- 3.1 Open the carton and remove accessory carton and stove unit. It will now be necessary to decide upon top or rear flue exit, the stove is factory built for rear flue exit, but it may be changed to top exit by using the following method.
 - 3.1.1 Remove the flue spigot from the rear of the stove and replace with the blanking plate from the top of the stove.
 - 3.2 Position the stove ensuring all appropriate clearances are observed. Using a pencil, mark the position of the holes in the fixing brackets attached to the inside of the rear legs.
 - 3.3 Remove the stove and drill the holes using a number 12 masonry drill. Push rawlplugs into the holes and insert the woodscrews until the head is approximately 3mm proud of the hearth. Place the stove in position so that the screw heads located in the large part of the slot in the bracket, push the stove back so that the screw heads engage fully into the narrow part of the slot, tighten the screws if desired.
 - 3.4 Having run the gas supply to the stove, **PURGE THE SUPPLY PIPE**, this is essential to expel any debris that may block the gas controls. Connect the gas supply to the 8mm-compression elbow at the RH rear corner of the stove. There is a cutout in the RH rear leg to enable a direct straight connection to be made to the rear of the stove. See diagram 3. A gas soundness check must be completed up to the gas inlet connection.



INSTALLATION INSTRUCTIONS

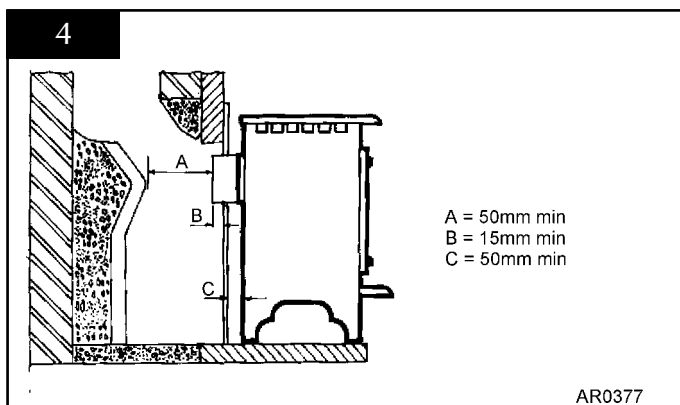
INSTALLATION

- 3.5 Check the pull of the flue system by applying a lighted smoke pellet to the flue system opening. If there is a definite flow into the chimney, proceed with the installation, if not warm the chimney for a few minutes.
IF THERE IS STILL NO DEFINITE FLOW, THE FLUE MAY REQUIRE ATTENTION - SEEK EXPERT ADVICE
- 3.6 The flue system may now be connected to the stove, ensure that all joints are sealed with a suitable fire resistant sealant. It is also recommended that a physical retention method be used at the flue spigot joint, self-tapping screws being favoured.
- 3.7 Connect a suitable pressure gauge to the test point located on the inlet fitting, and turn the gas supply on. Light the appliance and check all gas joints for gas soundness. Turn the appliance to a maximum and check that the supply pressure is as stated on the databadge. Turn the gas off and replace the test point screw, turn the gas on and check the test point for gas soundness.

Closure Plate Installation

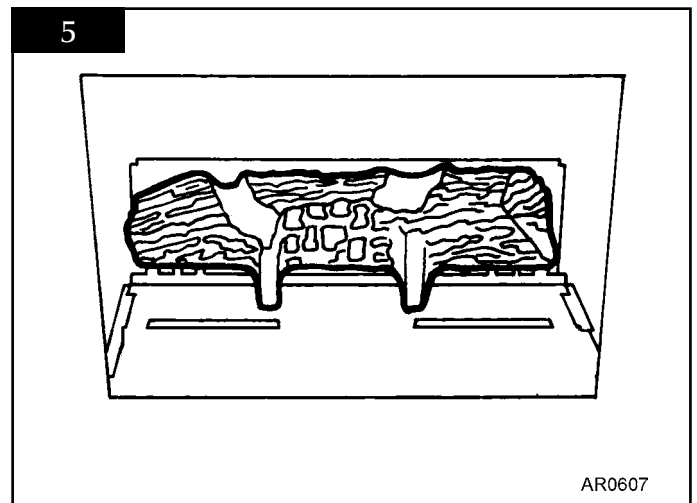
NOTE: The stove is also suitable for installation onto a fireplace opening, the following method illustrates how this can be achieved with the aid of the optional closure plate and spigot extension, ensure the fireplace dimensions are as shown in diagram 4.

- 3.8 Place the closure plate against the fireplace opening and ensure that there is sufficient overlap around the perimeter to allow a fume tight seal to be made, cut straight across the top of the plate if trimming is required.
- 3.9 Seal the plate to the opening and the hearth with a suitable heat resisting material, ensure that any relief opening at the bottom of the plate is left unobstructed.
- 3.10 Secure the spigot extension to the engine assembly and seal with heat resisting tape or similar, position the engine assembly ensuring that the 50mm rear clearance is maintained, then proceed with the installation as detailed in points 3.2 to 3.7 above. See diagram 4.

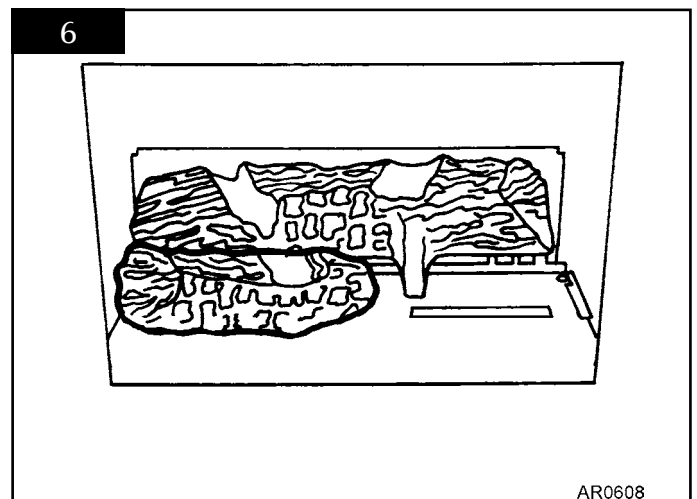


4. FUELBED ARRANGEMENT

- 4.1 The fuel bed consists of 5 logs and some loose embers. The logs have letters A, B, C, D and E moulded into them for identification.
- 4.2 Take the rear log A and place it up against the rear of the fire sitting on the two flat ledges of burner. The two legs of the log should sit between the rear burner ports, See diagram 5.



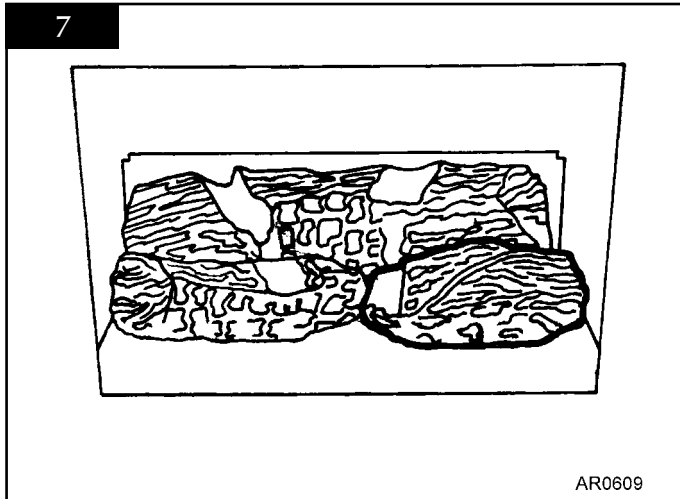
- 4.3 Place log B on the left hand side of the burner with the location bar on the underside of the log fully located in the long slot in the burner. Make sure the log is as far to the left as possible, see diagram 6.



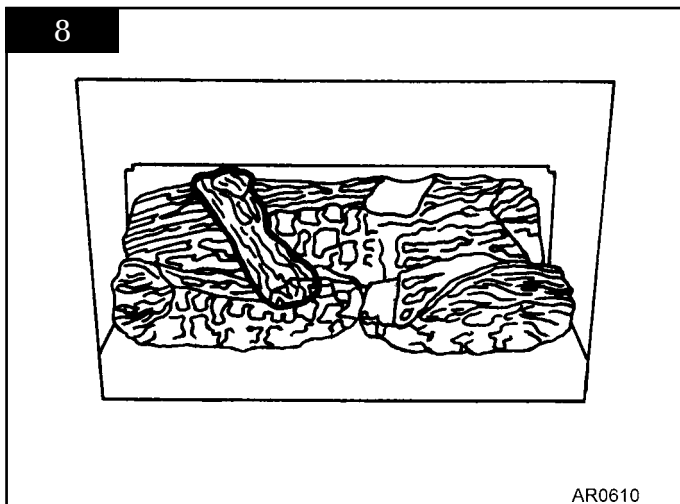
INSTALLATION INSTRUCTIONS

INSTALLATION

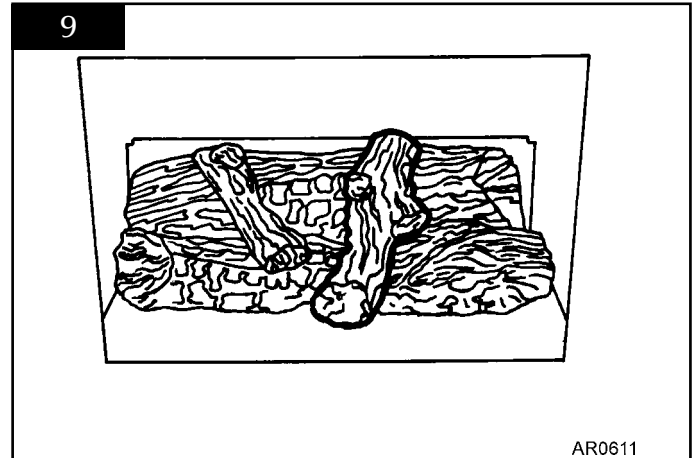
- 4.4 Place log C on the right hand side of the burner with the location bar on the underside of the log fully located in the long slot in the burner. Make sure the log is as far to the right as possible, see diagram 7.



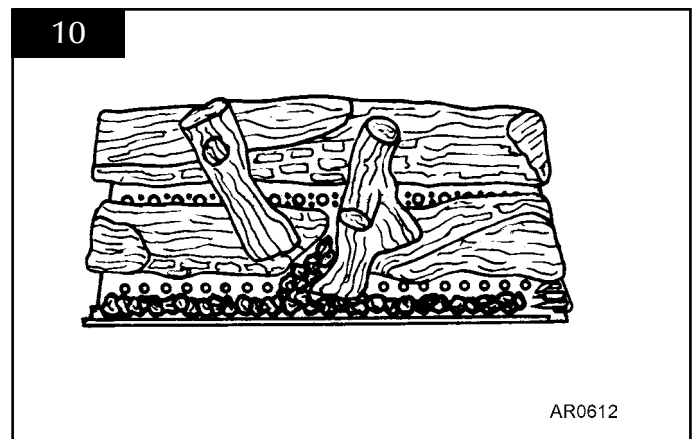
- 4.5 Place log D across from the rear of log A to log B on the left hand side. There are cutouts in both logs for location. The half round end of log D should face forward showing a dark burnt effect, see diagram 8.



- 4.6 Place log E across from the rear of log A to log C on the right hand side. Again, there are cutouts for location. Log E should have the small branch on the right hand side when installed correctly. The front of the log should sit on the burner skin and should fit tight to log C, see diagram 9.



- 4.7 Place the embers along the front of the burner so as to cover the front edge. These can be placed up to the front edge of the burner ports. It does not harm the performance of the stove if these cover the burner ports, but less yellow flames will be evident. Place a few embers between logs B and C in the centre of the burner. If any members remain, keep them in the bag for future use, see diagram 10.

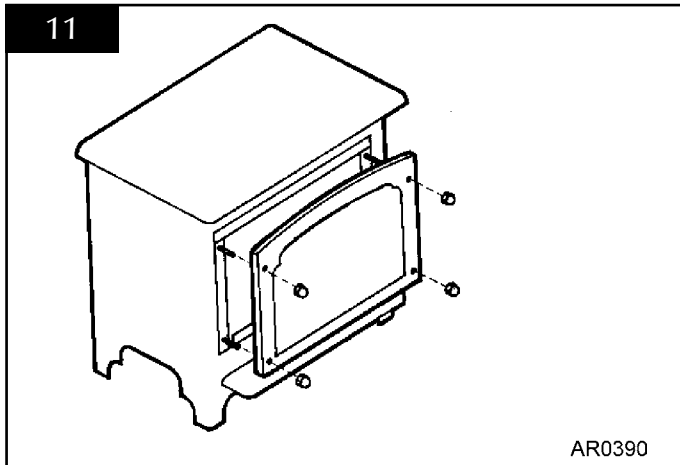


ENSURE THAT THE LOGS ARE POSITIONED AS DETAILED ABOVE.

INSTALLATION INSTRUCTIONS

INSTALLATION

- 4.8 Ensure that the fibreglass rope seal on the back of the door is intact, located the door on the four studs and slide back to the firebox. Secure in place using the four brass dome nuts and the tool supplied, do not over tighten the nuts, see diagram 11. Keep the tool with these instructions for future use.



NEVER OPERATE THE STOVE WHEN THE DOOR IS REMOVED OR WHEN THE GLASS IS BROKEN.

5. LIGHTING

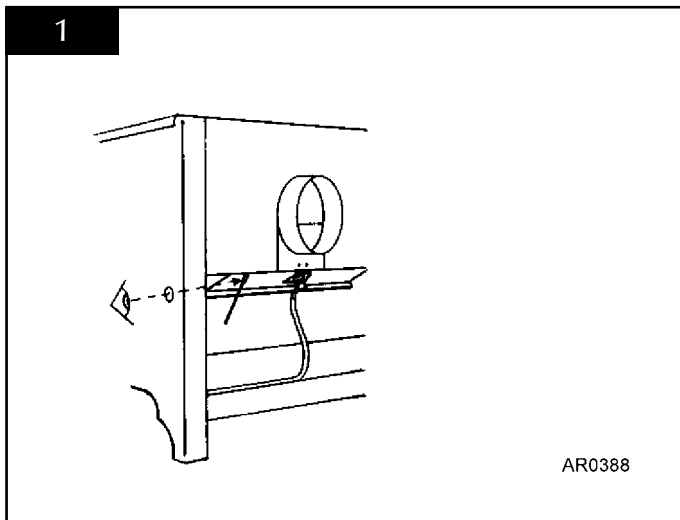
- 5.1 Full instructions are given in the users handbook.

INSTALLATION INSTRUCTIONS

COMMISSIONING

1. COMMISSIONING

- 1.1 Close all openable doors and windows in the room, ignite the stove and operate on maximum for 10 minutes. Remove the plastic sight plug from the right hand side of the stove. Position a lighted smoke match just inside the draught diverter opening and check that all smoke is drawn into the opening by viewing through the sight hole. See diagram 1. If there is any doubt, run the stove for a further 10 minutes, and repeat the test.



- 1.2 If there are any extractor fans in adjacent rooms, the test must be repeated with the fans running on maximum and interconnecting doors open.

IF SPILLAGE PERSISTS, DISCONNECT THE APPLIANCE AND SEEK EXPERT ADVICE.

For future reference record the installation details on the commissioning sheet at the end of the Users Section of these instructions.

SERVICING INSTRUCTIONS

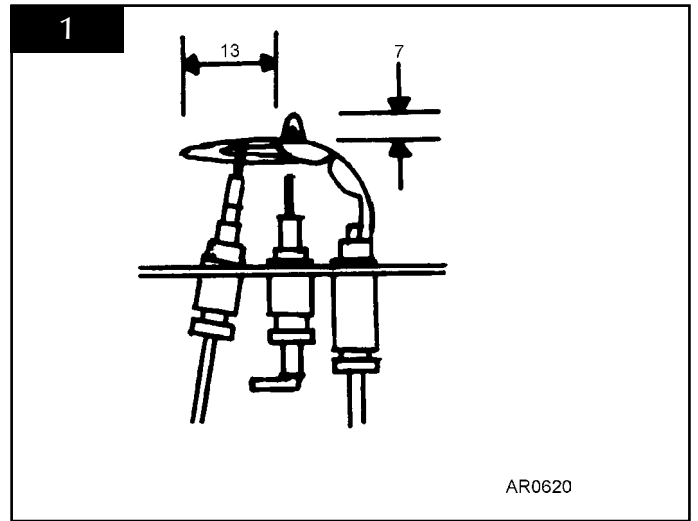
SERVICING / FAULT FINDING CHARTS

1. SERVICING REQUIREMENTS

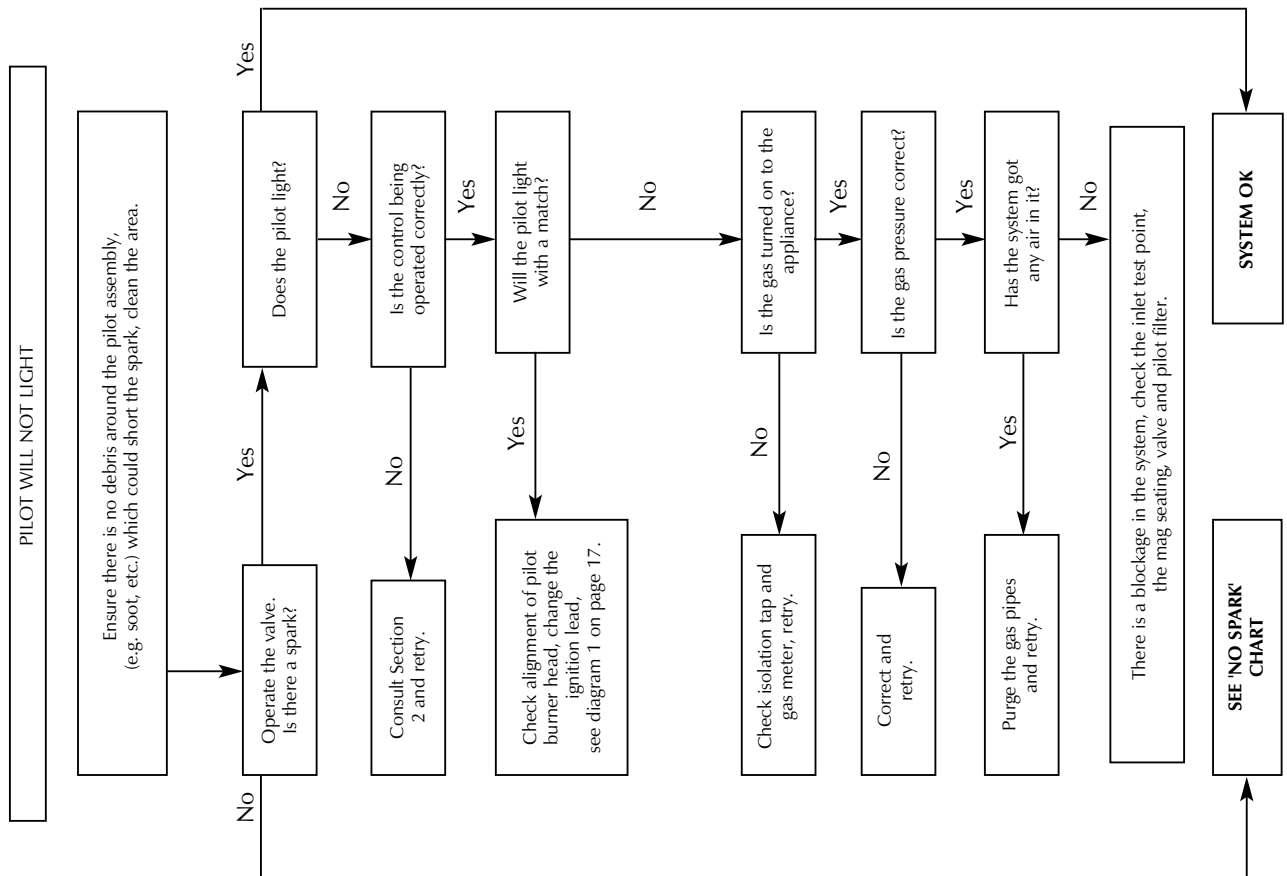
This appliance must be serviced at least once a year by a competent person.

All tests must be serviced by best practice as described by the current CORGI recommendations.

- 1.1 Before any test are undertaken on the appliance, conduct a gas soundness test for the property to ensure that there are no gas leaks prior to starting work.
- 1.2 Before any tests are undertaken on the appliance it is also recommended to fully check the operation of the appliance.
- 1.3 Special checks
 - 1.3.1 Clean any lint or fluff from the pilot - pay particular attention to the aeration hole in the side of the pilot
 - 1.3.2 Clean away any fluff or lint from under the burner
 - 1.3.3 Check that the spark gap on the pilot is correct
- 1.4 Correct any faults found during the initial tests and then re-commission the appliance conducting the usual safety checks.
- 1.5 Advise the customer of any remedial action taken.



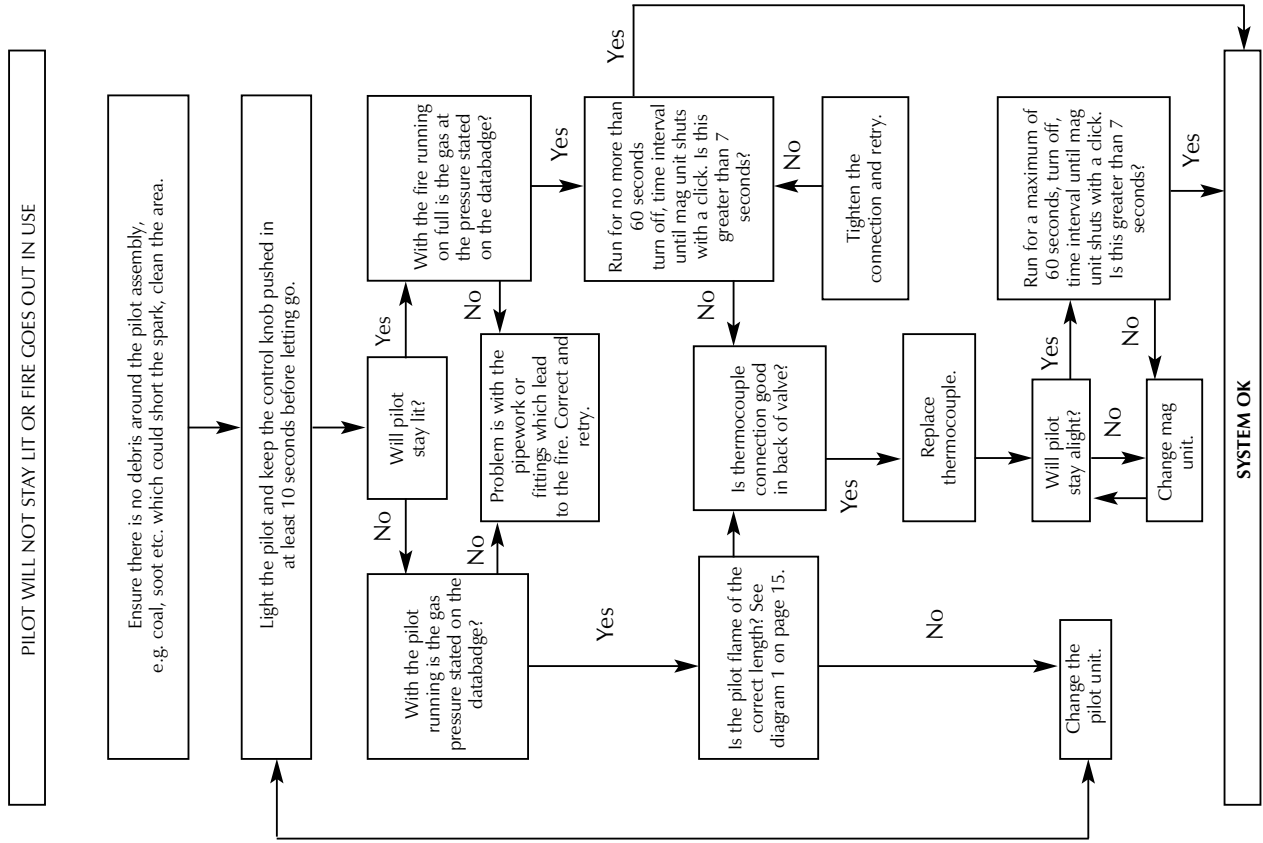
IGNITION FUNCTIONAL CHECK 1



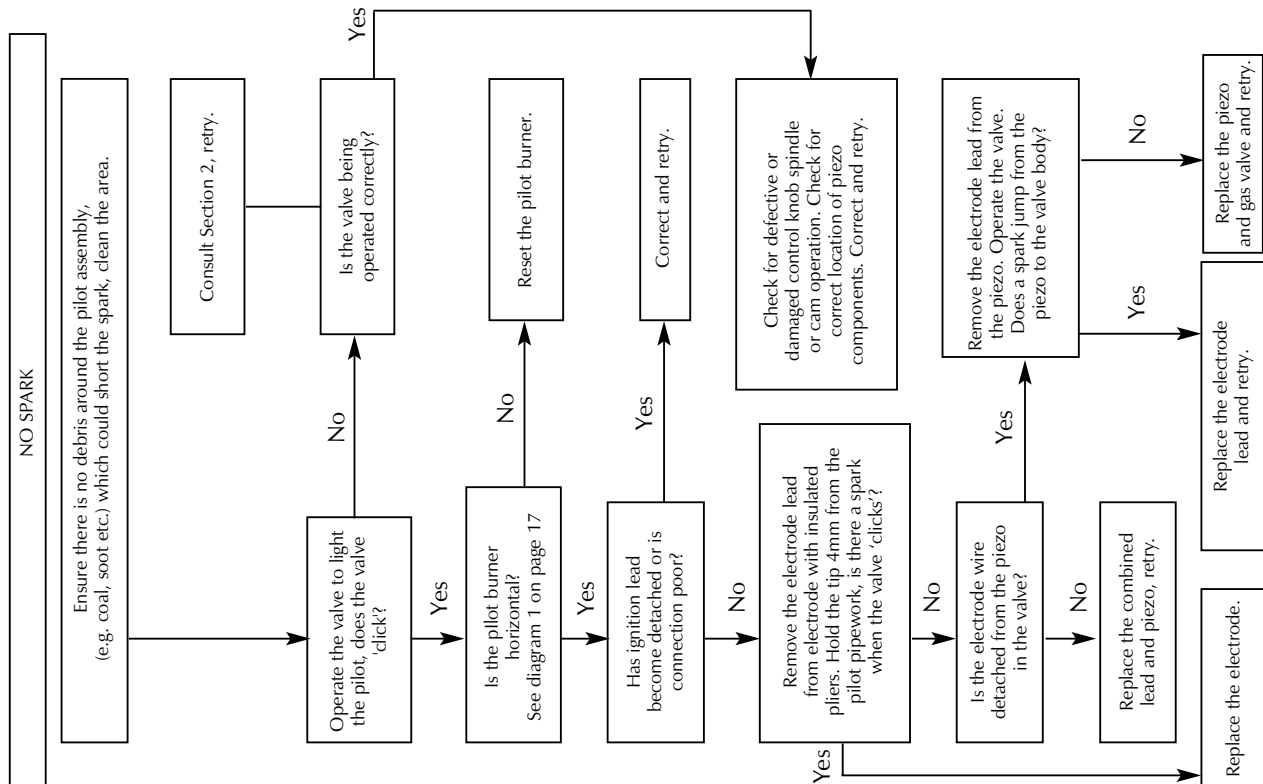
SERVICING INSTRUCTIONS

FAULT FINDING CHARTS

FLAME FAILURE FUNCTIONAL CHECK



IGNITION FUNCTIONAL CHECK 2



SERVICING INSTRUCTIONS

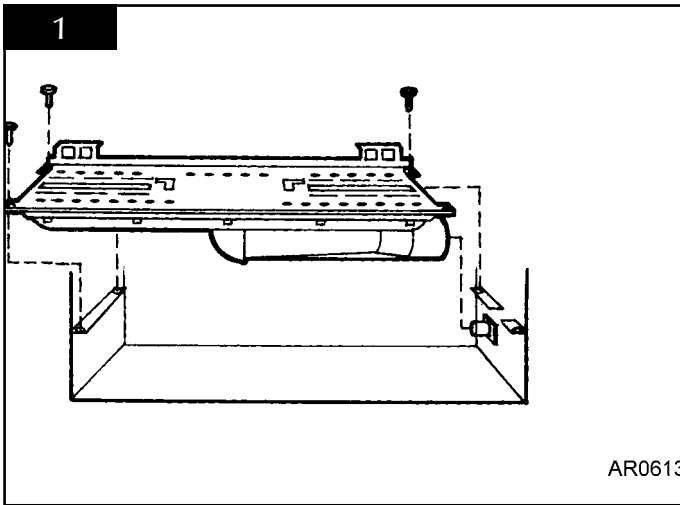
REPLACING PARTS

1. GENERAL

- 1.1 All principal components can be replaced without removing the stove from its installation, although it is essential that the gas supply to the appliance is turned off at the isolation device before proceeding further.

2. MAIN BURNER

- 2.1 Turn the gas supply off at the isolation device, remove the door and place to one side, and carefully remove the ceramic fuel bed components.
- 2.2 Remove the three securing screws, two at the rear and one at the front left hand side. See diagram 1. Raise the left hand side of the burner to clear the bracket, draw the left hand side forward. The burner venturi is engaged over the injector. When removing the burner be sure to clear the injector, this will release the right hand side of the burner. Take care when removing the burner so as not to damage the pilot burner.

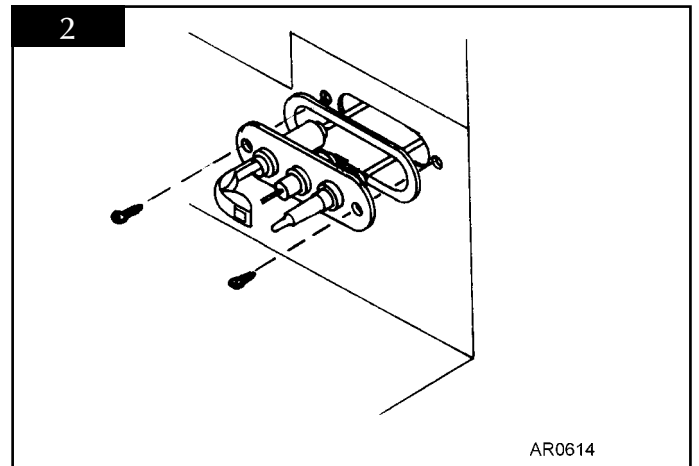


- 2.3 To replace the burner, engage the venturi over the injector ensuring the burner sits on top of the fixing bracket. Lower the left hand side of the burner onto the fixing bracket. Push the burner to the right and whilst holding, insert the three fixing screws.

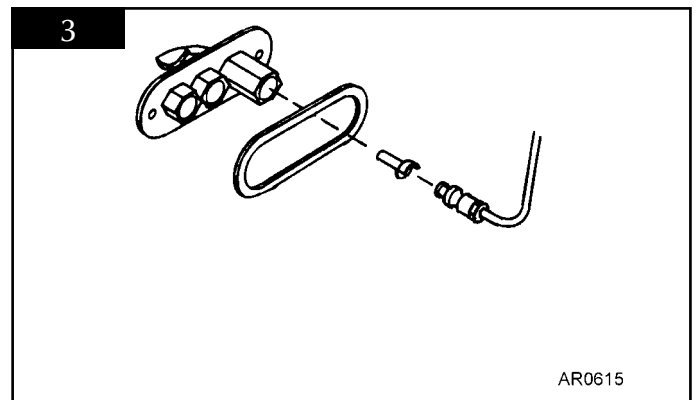
NOTE: BEFORE REPLACING THE BURNER, ENSURE THE SILICONE SEAL AROUND THE INJECTOR IS INTACT.

3. PILOT UNIT

- 3.1 The pilot assembly consists of four components, which can be individually changed, these are:
1. Pilot burner bracket
 2. Pilot injector
 3. Electrode
 4. Thermocouple
- 3.2 Turn the gas supply off at the isolation device, remove the door and place to one side, and carefully remove the ceramic fuelbed components.
- 3.3 Remove the main burner. See section 2.
- 3.4 Remove the two fixing screws from the pilot bracket. See diagram 2. Gently draw the assembly away from the firebox to give access to the nuts and ignition lead.



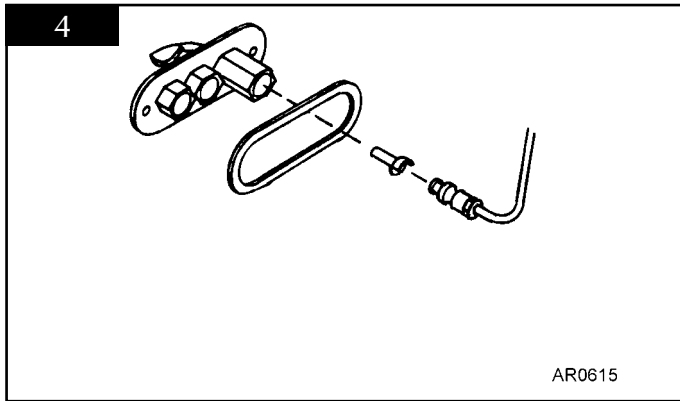
- 3.5 To remove the pilot injector, undo the compression nut on the pilot feed pipe and withdraw the injector, which will be hooked onto the olive. When replacing an injector always make sure it is hooked onto the olive before inserting it into the pilot burner. See diagram 3.



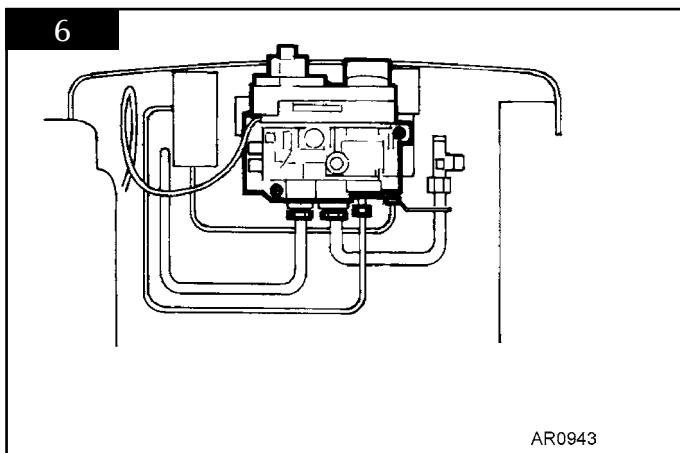
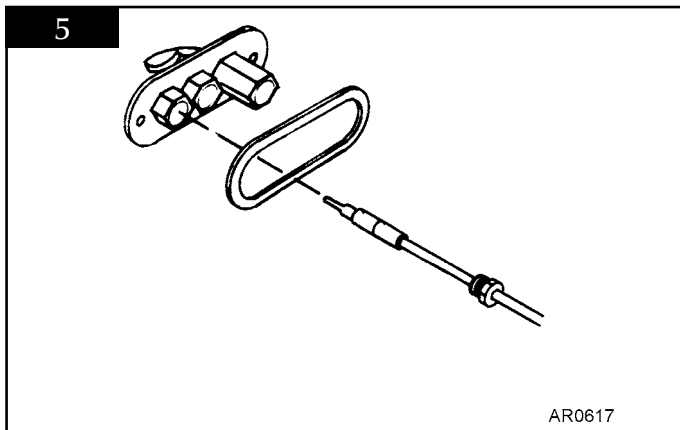
SERVICING INSTRUCTIONS

REPLACING PARTS

- 3.6 To remove the electrode, disconnect the ignition lead and undo the retaining nut. The electrode can now be removed, note the orientation of the electrode terminal when reassembling. See diagram 4.



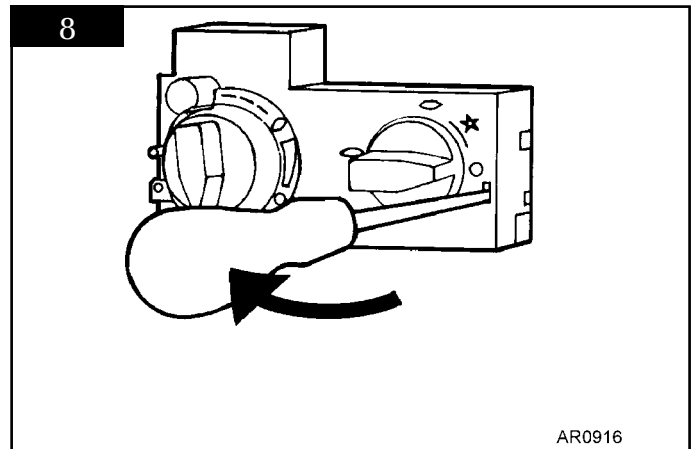
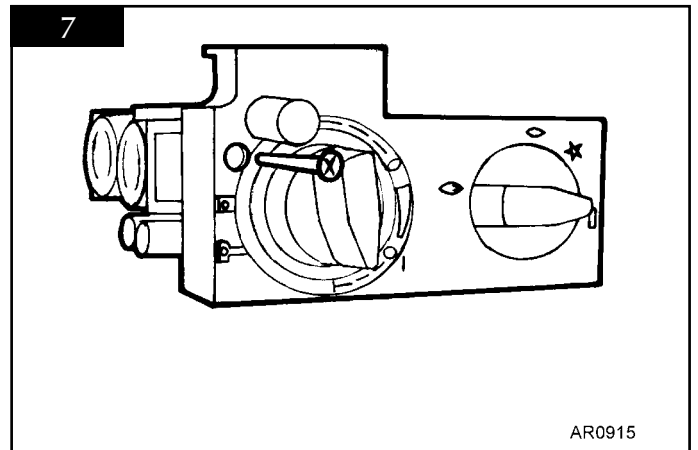
- 3.7 To remove the thermocouple, undo the retaining nut and withdraw the thermocouple. Undo the thermocouple connection from the back of the gas valve. See diagrams 5 and 6. Reassemble in reverse order, do not overtighten.



NOTE: SPECIAL CARE SHOULD BE TAKEN WHEN REPLACING THE THERMOCOUPLE TO THE BACK OF THE GAS VALVE ENSURING THAT THE SENOR WIRES FOR THE GAZCO FLUE SURE SYSTEM ARE NOT DISCONNECTED.

4. IGNITION LEAD AND PIEZO

- 4.1 Gain access to the back of the pilot assembly, see section 26 and disconnect the ignition lead from the electrode.
- 4.2 Remove the front cover from the control valve, see diagram 7 and 8, disconnect the other end of the ignition lead from the valve body, note the existing route of the ignition lead.



- 4.3 Replace with a new ignition lead following the same route as the old one. Replace the valve cover and the pilot assembly.
- 4.4 Check operation of the new ignition lead.

5. PIEZO

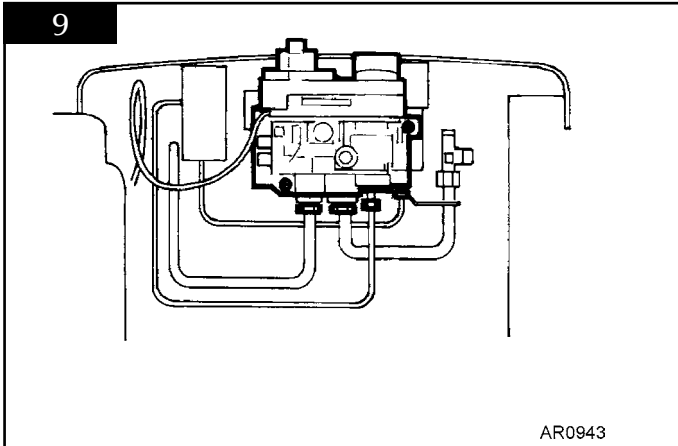
- 5.1 The piezo assembly used on this appliance is not serviceable and is unlikely to fail.

SERVICING INSTRUCTIONS

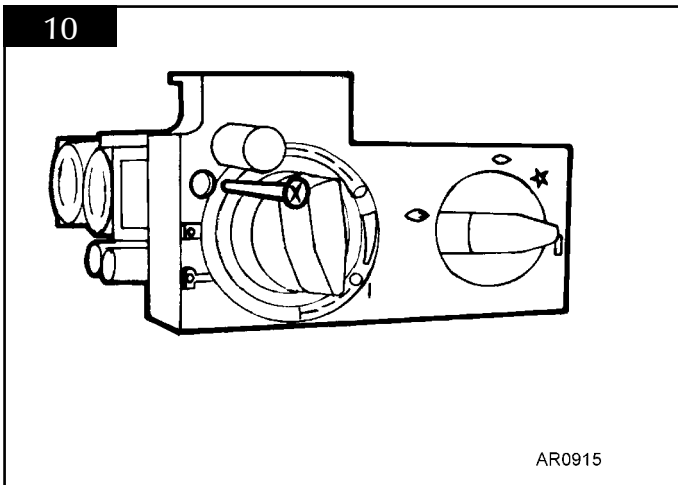
REPLACING PARTS

6. GAS VALVE

- 6.1 Turn the gas supply off at the isolation device.
- 6.2 Disconnect the 2x8mm and 1x4mm gas pipe fittings at the back of the gas valve and also disconnect the thermocouple, see diagram 9.

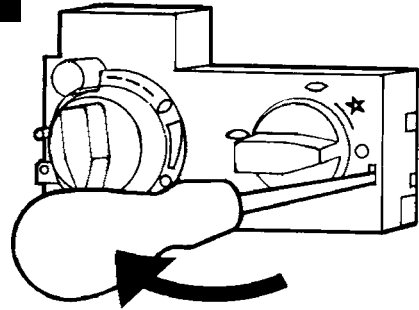


- 6.3 Undo the single screw that secures the left hand side of the control cover, see diagram 10.



- 6.4 To release the right hand side of the control cover insert the narrow blade screwdriver into the slot shown in diagram 11, lever it gently and pull from the right hand side at the same time. The cover will now come off, there is a small cylindrical metal spacer inside the cover, this must be kept and replaced on the fixing screw during re-assembly.

11

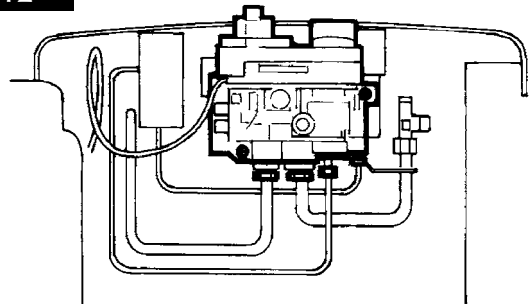


- 6.5 Disconnect the ignition lead from the gas valve.
- 6.6 Undo the two bolts securing the gas valve to the appliance and remove the valve.
- 6.7 Replace in reverse order.
- 6.8 Check all joints for gas leaks, check operation of the thermocouple and ignition lead.

7. MAGNETIC SAFETY VALVE

- 7.1 Turn the gas supply off at the isolation device. Undo the thermocouple connection from the back of the gas valve, pull the sensor leads clear and remove the interrupter block.
- 7.2 Undo the magnetic valve-retaining nut from the back of the control valve, gently tap out the magnetic valve and replace with a new unit. Replace the retaining nut and tighten. See diagram 12.

12



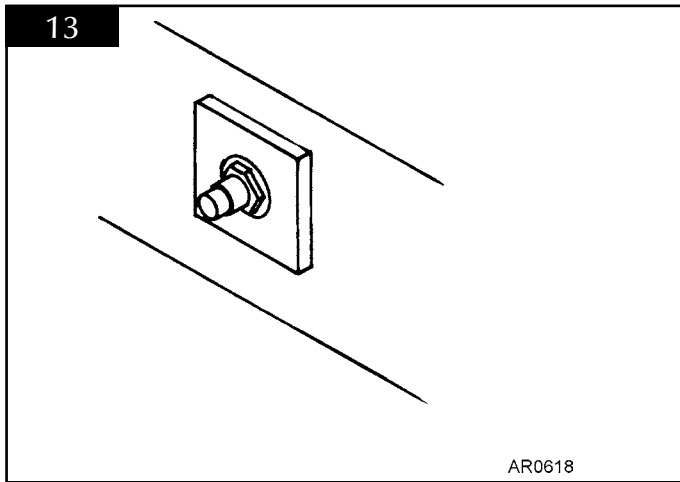
- 7.3 Reassemble the interrupter block and leads. Secure the thermocouple connection in the rear of the gas control. (Do not overtighten). Turn the gas supply on and check the entire pipework and valve joints for any leaks.

SERVICING INSTRUCTIONS

REPLACING PARTS

8. MAIN INJECTOR

- 8.1 Turn the gas supply off at the isolation device. Refer to section 2 to remove the main burner.
- 8.2 Undo the compression nut from the feed pipe at the gas control under the appliance.
- 8.3 Working from inside the firebox, remove the lock nut from the injector, and withdraw the injector complete with the feed pipe from under the appliance. See diagram 13.

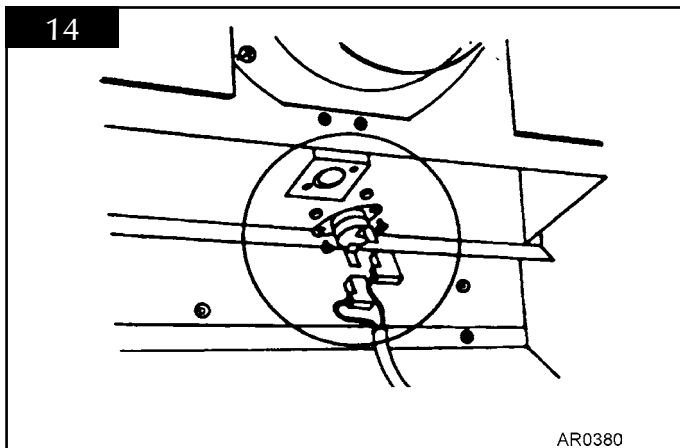


- 8.4 Holding the injector with a spanner, undo the feed pipe.
- NOTE: THE ORIENTATION OF THE INJECTOR.**
- 8.5 Reassemble in reverse order, turn on the gas supply and check for any leaks.

9. GAZCO FLUE SURE SYSTEM

If the stove has been installed in a restrictive location, it may be necessary to remove the stove from its location.

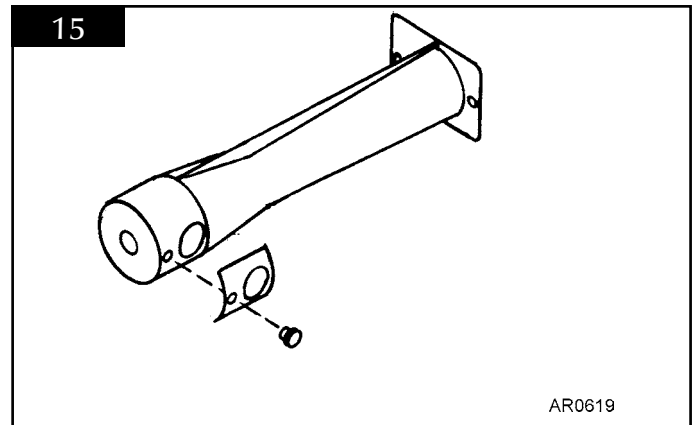
- 9.1 Locate the sensor in the draught diverter opening, and gently pull the two wires off the terminals. Undo the two tap-tite screws and remove the sensor and the two plastic spacers. See diagram 14.



- 9.2 Refit a new sensor ensuring that the spacers are located between the sensor and the bracket, replace the two leads.
- 9.3 If it has been necessary to remove the stove, ensure that all disturbed gas joints are checked for gas soundness when reinstalled, and repeat the flue clearance test as detailed in the commissioning section page 14 .

10. PRIMARY AERATION PLATE

- 10.1 Turn the gas supply off at the isolation device.
- 10.2 Refer to section 2 to remove the main burner.
- 10.3 Remove the screw retaining the aeration plate (if fitted) from the end of the venturi. See diagram 15.



- 10.4 Reassemble in reverse order with the correct aeration plate.
- NOTE: EVEN IF NO AERATION PLATE IS REQUIRED, THE SMALL SCREW MUST BE REPLACED.**

11. CHANGING BETWEEN GAS TYPES

In order to change between gas types, it will be necessary to change the following items.

- Pilot Injector
- Control Valve
- Main Injector
- Main Burner
- Aeration Plate (if required)
- Databadge

The relevant parts can be ordered from Gazco, always quote the appliance type and serial number when ordering spare parts.

**** NOTE: THE CONTROL VALVE IS FACTORY PRESET FOR CORRECT GAS TYPE AND MODEL, A NEW UNIT WILL NEED TO BE ORDERED WHEN CHANGING BETWEEN GAS TYPES.**

SERVICING INSTRUCTIONS

REPLACING PARTS

12. CONTROL UPGARDE

See installation section on page 10.

13. SHORT SPARES LIST

| Component | NG | LPG |
|----------------------|-------------|-------------|
| | G20 20mb | G31 37mb |
| MAIN INJECTOR | IN0045 | IN0030 |
| AERATION PLATE | ME3523 | |
| PILOT INJECTOR | PI0026 | PI0015 |
| BURNER ASSEMBLY | GZ1628 | GZ1629 |
| THERMOCOUPLE | PI0010 | |
| MAGNETIC UNIT | GC0092 | |
| ELECTRODE | PI0053 | |
| GASKET | PI0052 | |
| GAS VALVE | GC0088** | |
| IGNITION LEAD | GC0090 | |
| LOG A | GC0262 | |
| LOG B | GC0263 | |
| LOG C | GC0264 | |
| LOG D | GC0265 | |
| LOG E | GC0266 | |
| EMBERS | CE0267 | |
| FUEL SENSOR | EL0001 | |
| SENSOR LEAD | EL0064 | |
| INTERRUPTER | GC0026 | |
| STANDARD UPGRADE KIT | 8455 | |
| THERMO UPGRADE KIT | 8456 | |

SERVICE RECORDS

1ST SERVICE

Date of Service:
Next Service due:
Signed:
Dealer's Stamp/CORGI Registration Number

2ND SERVICE

Date of Service:
Next Service due:
Signed:
Dealer's Stamp/CORGI Registration Number

3RD SERVICE

Date of Service:
Next Service due:
Signed:
Dealer's Stamp/CORGI Registration Number

4TH SERVICE

Date of Service:
Next Service due:
Signed:
Dealer's Stamp/CORGI Registration Number

5TH SERVICE

Date of Service:
Next Service due:
Signed:
Dealer's Stamp/CORGI Registration Number

6TH SERVICE

Date of Service:
Next Service due:
Signed:
Dealer's Stamp/CORGI Registration Number

7TH SERVICE

Date of Service:
Next Service due:
Signed:
Dealer's Stamp/CORGI Registration Number

8TH SERVICE

Date of Service:
Next Service due:
Signed:
Dealer's Stamp/CORGI Registration Number

9TH SERVICE

Date of Service:
Next Service due:
Signed:
Dealer's Stamp/CORGI Registration Number

10TH SERVICE

Date of Service:
Next Service due:
Signed:
Dealer's Stamp/CORGI Registration Number

Gazco Limited, Osprey Road, Sowton Industrial Estate, Exeter, Devon, England EX2 7JG
Tel: (01392) 261999 Fax: (01392) 444148 E-mail: info@gazco.com

A member of the Stovax Group