

GAZCO



Marlborough & Stockton Log Effect Stove Range Balanced Flue

With upgradeable control valve

Instructions for Use, Installation and Servicing For use in GB, IE (Great Britain and Eire)

This appliance has been certified for use in countries other than those stated. To install this appliance in these countries, it is essential to obtain the translated instructions and in some cases the appliance will require modification. Contact Gazco for further information.

IMPORTANT

Do not attempt to burn rubbish in this fire. This stove must only be operated with the door secured firmly in position. The outer casing of this stove will become hot whilst in operation, it is therefore recommended that the appliance be guarded to protect the young and infirm using a suitable guard.

**Please read these Instructions carefully and keep them in a safe place.
They will be needed when servicing the fire.**

The commissioning sheet found on Page 3 should be completed by the installer.

CONTENTS

COVERING THE FOLLOWING MODELS
MARLBOROUGH - 8535 - P8535
STOCKTON - 8570 - P8570

	PAGE
APPLIANCE COMMISSIONING CHECKLIST	3
USER INSTRUCTIONS	4
TECHNICAL SPECIFICATIONS	7
Technical Specifications	7
Site Requirements	8
Installation	12
Commissioning	18
SERVICING INSTRUCTIONS	19
Servicing Requirements	19
Fault Finding	19
How to replace parts	21
Basic Spare Parts List	25
Servicing Records	26

APPLIANCE COMMISSIONING CHECKLIST

IMPORTANT NOTICE

Explain the operation of the appliance to the end user, hand the completed instructions to them for safe keeping, as the information will be required when making any guaranteed claims.

FLUE CHECK	PASS	FAIL	
1. Flue is correct for appliance			
2. Flue flow test N/A			
3. Spillage test N/A			
GAS CHECK			
1. Gas soundness & let by test			
2. Standing pressure test	mb		
3. Appliance working pressure (on High Setting) NB All other gas appliances must be operating on full	mb		
MTM Fires Only. Setting Pressure	High - mb	Low - mb	
4. Gas rate	m ³ /h		
5. Does ventilation meet appliance requirements N/A			
6. Have controls been upgraded (Upgradeable models only)	8455 Standard	YES	NO
	8456 Programmable Time & Temperature	YES	NO

DEALER AND INSTALLER INFORMATION

Dealer.....

Installation Company.....

.....

.....

.....

.....

Contact No.

Engineer

Date of Purchase.....

Contact No.

Model No.

Corgi Reg No.

Serial No.

Date of Installation

Gas Type.....

This product is guaranteed for 2 years from the date of installation, as set out in the terms and conditions of sale between Gazco and your local Gazco dealer. **This guarantee will be invalid, to the extent permitted by law, if the above Appliance Commissioning Checklist is not fully completed by the installer and available for inspection by a Gazco engineer.** The guarantee will only be valid during the second year, to the extent permitted by law, if the annual service recommended in the Instructions for Use has been completed by a Corgi registered engineer, and a copy of the service visit report is available for inspection by a Gazco engineer.

USER INSTRUCTIONS

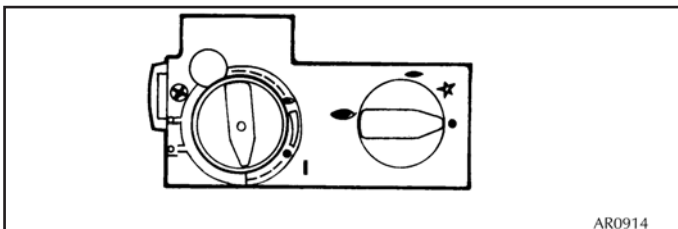
1. GENERAL

- 1.1 Installation and servicing must be carried out by a competent person.
- 1.2 In all correspondence, please quote the appliance type and serial number which can be found on the data badge located at the rear of the stove.
- 1.3 Ensure curtains are not positioned above the stove, and that there is at least a clearance of 300mm between the sides of the stove and any curtains.
- 1.4 If any cracks are observed in the glass panel, do not use appliance until the glass has been replaced.
- 1.5 If, for any reason, the flue has to be removed from the stove, the seals must be replaced in the inner telescopic section and the inner spigot.
- 1.6 Do not obstruct the flue terminal in any way i.e. by planting flowers, trees, shrubs etc in the near vicinity, or by leaning objects up against the terminal guard.
- 1.7 Do not use a garden sprinkler so as to allow excessive amounts of water into the flue terminal.
- 1.8 Do not stand or place objects on the terminal guard as this will deform.
- 1.9 This product is guaranteed for 2 years from the date of installation, as set out in the terms and conditions of sale between Gazco and your local Gazco dealer. Please consult with your local Gazco dealer if you have any questions. In all correspondence always quote the model No. and serial No.

Please ensure the commissioning checklist is completed by your installer, as this is a requirement of your Guarantee.

2. LIGHTING THE STOVE

- 2.1 Locate the control valve on the appliance. There are two control knobs on the valve, the right hand knob controls the pilot ignition and the left hand knob controls the main burner.
- 2.2 If your appliance has already been upgraded to battery remote control, please refer to the instructions provided with the upgrade to operate the remote control. The following instructions will work for either situation.



- 2.3 Ensure that the left-hand control knob is pointing to off (●).
- 2.4 Ensure that the right hand control knob is pointing to off (●).
- 2.5 Press in the right hand control knob and rotate it anti-clockwise until a click is heard (keep pressing in) and the knob is pointing to pilot (☞). The pilot should now light. If the pilot has not lit, repeat the procedure until it does.

- 2.6 Keep the control knob pressed in for 10 seconds and then release it, the pilot should stay alight. If the pilot goes out, repeat the procedure until it does.
- 2.7 If the pilot will not light after repeated attempts, contact the retailer or installer from whom the appliance was purchased.
- 2.8 Turn the right hand control to point to main burner (☞). The appliance can now be controlled using the left hand control knob.
- 2.9 Turn the left hand control knob to point to low fire (☞), the main burner will light on low. The burner can now be controlled between low and high settings. Turn the control knob anti-clockwise to increase the flame height and clockwise to decrease the flame height.

THE YELLOW FLAMES WILL APPEAR WHEN THE FIRE HAS GAINED SUFFICIENT HEAT - TYPICALLY 10 TO 20 MINUTES.

IF THE APPLIANCE IS EXTINGUISHED OR GOES OUT IN USE, WAIT 3 MINUTES BEFORE ATTEMPTING TO RELIGHT THE APPLIANCE.

3. TURNING OFF THE STOVE

- 3.1 To turn the stove off, locate the control valve, turn the left-hand control knob until it points to off (●). The main burner will go out leaving the pilot burning.
- 3.2 To turn the pilot off, locate the control valve, turn the right-hand control knob until it points to off (●), the pilot will go out.

4. UPGRADING YOUR STOVE

- 4.1 Your stove is fitted with a control valve that can be easily upgraded to battery powered remote control. This upgrade can be fitted by anyone capable of simple DIY jobs and requires no special training. There are two versions of this control which can be obtained through your local Gazco stockist.
- 4.2 **STANDARD REMOTE CONTROL** This remote control can control the gas appliance after the pilot has been lit. It can turn the main burner on and regulate it from low through to high and back again. It can turn the main burner off leaving the pilot burning. GAZCO PART NUMBER 8455.
- 4.3 **THERMOSTATIC AND TIMER REMOTE CONTROL** This remote control can control the gas appliance after the pilot has been lit. In 'MANUAL MODE' it can be used to turn the main burner on and manually regulate it from low through to high and back again. It can also be used to turn the main burner off leaving the pilot burning. In 'AUTO MODE' it will automatically regulate the room temperature. In 'TIMER MODE' it will turn the fire on and off according to a pre-set programme and automatically regulate the room temperature during two on periods. GAZCO PART NUMBER 8456

USER INSTRUCTIONS

5. CLEANING THE FIRE

- 5.1 Only clean the stove when it is cold.
- 5.2 Remove the four black nuts retaining the door. Take care when removing the door as it is heavy.
- 5.3 Remove all of the ceramic logs and embers.
- 5.4 The logs should not require cleaning. Do not use a vacuum cleaner or brush to clean the logs, any large pieces of debris may be removed by hand.
- 5.5 Ensure any debris is removed from the burner ports.
- 5.6 Replace the ceramics and door referring to section 5.
- 5.7 Use a damp cloth to clean the outer casing of the appliance.

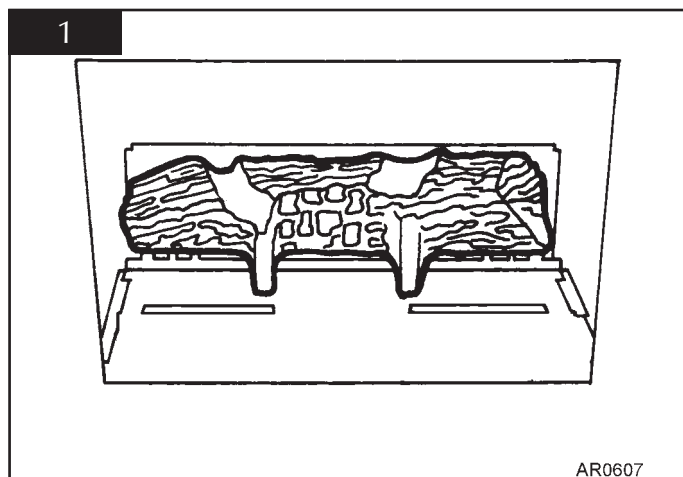
6. FUELBED ARRANGEMENT

The major ceramic components can be found inside the firebox, remove the cast iron door using the tool provided, and remove all the protective packaging from these components.

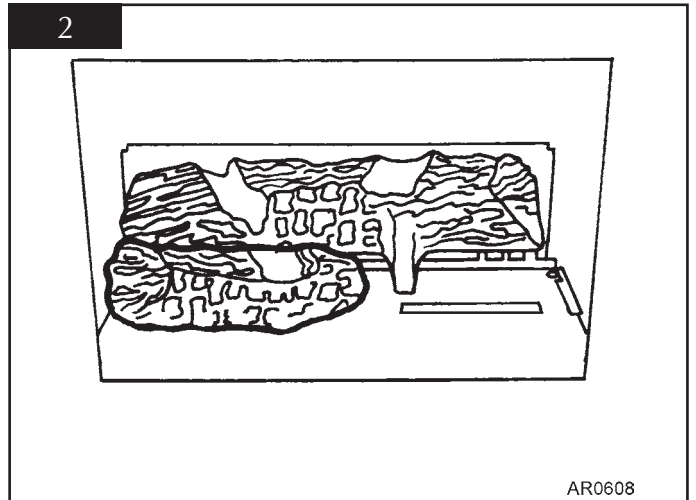
NOTE: THE CAST IRON DOOR IS HEAVY, TAKE EXTREME CARE WHEN HANDLING TO AVOID DAMAGING THE OUTER CASING.

The fuelbed consists of 5 logs and 1 bag of embers. The logs have letters A,B,C,D and E moulded into them for identification.

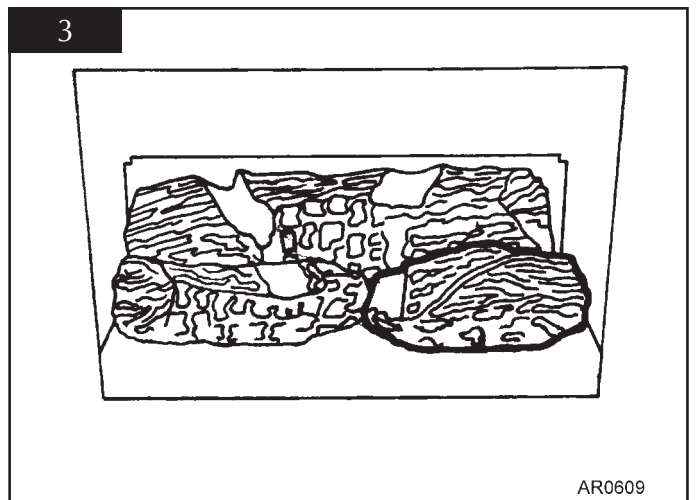
- 6.1 Take the rear log A and place it up against the rear of the fire sitting on the two flat ledges of burner. The two legs of the log should sit between the rear burner ports. See diagram 1.



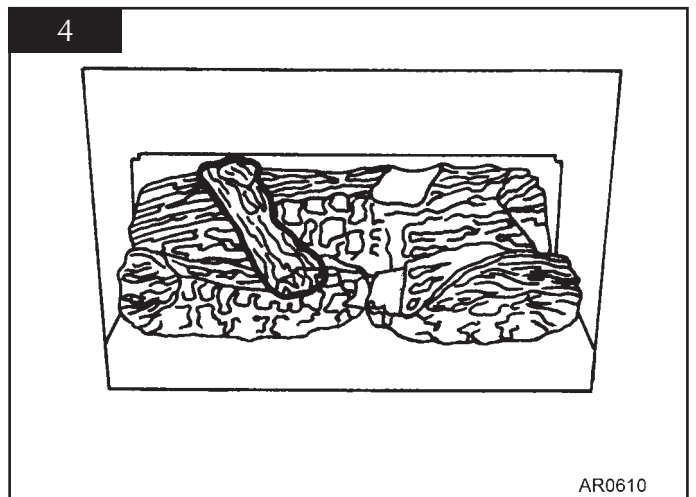
- 6.2 Place log B on the left hand side of the burner with the location bar on the underside of the log fully located in the long slot of the burner. Make sure the log is as far to the left as possible. See diagram 2.



- 6.3 Place log C on the right hand side of the burner with the location bar on the underside of the log fully located in the long slot in the burner. Make sure the log is as far right as possible. See diagram 3.

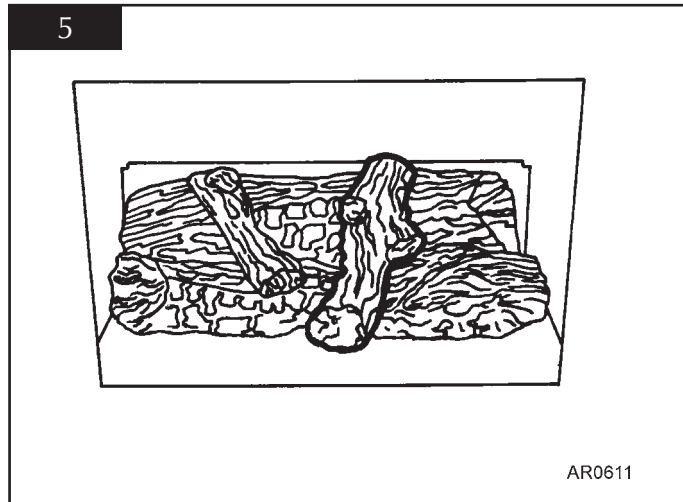


- 6.4 Place log D across from the rear log A to log B on the left hand side. There are cutouts in both logs for location. The half round end of log d should face forwards showing a dark burnt effect. See diagram 4.



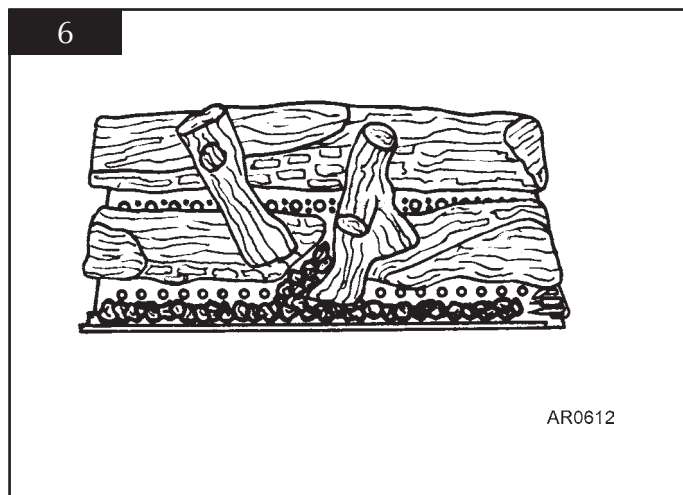
USER INSTRUCTIONS

- 6.5 Place log E across from the rear of log A to log C on the right hand side. Again, there are cutouts for location. Log E should have the small branch on the right hand side when installed correctly. The front of the log should sit on the burner skin and should fit tight to log C. See diagram 5.



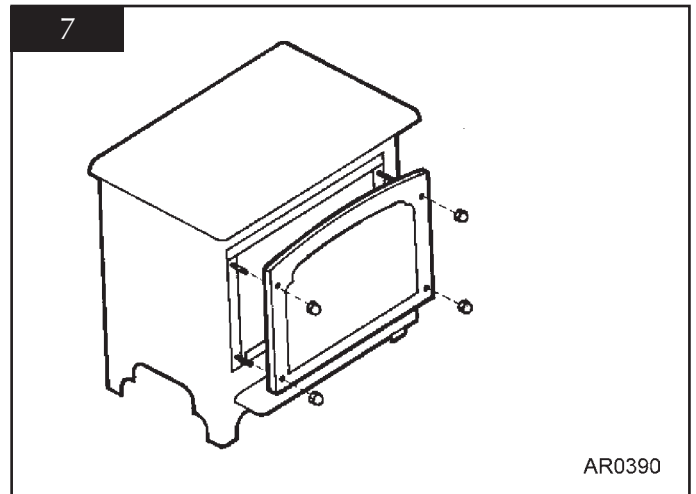
- 6.6 Place the embers along the front of the burner so as to cover the front edge. These can be placed up to the front edge of the burner ports. It does not harm the performance of the stove if these cover the burner ports but less yellow flames will be evident. Place a few embers between logs B and C in the centre of the burner.

If any embers remain, keep them in the bag for future use, see diagram 6.



NOTE: ENSURE THAT LOGS ARE POSITIONED, AS DETAILED ABOVE.

- 6.7 Ensure that the fibreglass seal on the back of the door is intact, locate the door on the four studs and slide back to the firebox. Secure in place using the four brass dome nuts and tool supplied, do not overtighten the nuts, see diagram 7.



NEVER OPERATE THE STOVE WHEN THE DOOR IS REMOVED.

7. THE FLAME FAILURE DEVICE

- 7.1 This is a safety feature incorporated in all GAZCO fires which automatically switches off the gas supply if the pilot light goes out and fails to heat the thermocouple.

8. 'RUNNING IN'

- 8.1 The surface coating on your GAZCO fires will "burn off" during the first 24 hour of use, producing a harmless and temporary odour. This will disappear after the short period of use. If the odour persists, ask your installer for advice.

9. SERVICING

- 9.1 The fire must be serviced every 12 months by a qualified Gas Engineer. In all correspondence, always quote the appliance type and serial number, which may be found on the data badge.

10. INSTALLATION DETAILS

- 10.1 To assist in any future correspondence, your installer should have completed this commissioning sheet, this records the essential installation details of the appliance. In all correspondence always quote the model No. and serial No.

INSTALLATION INSTRUCTIONS

TECHNICAL SPECIFICATION

COVERING THE FOLLOWING MODELS

MARLBOROUGH - 8535 - P8535

STOCKTON - 8570 - P8570

Model	Gas CAT.	Gas Type	Working Pressure	Aeration	Injector	Gas Rate m ³ /h	Input KW (Gross)		Country
							High	Low	
8545 - 8547 8546 - 8544	12H	Natural (G20)	20mbar	Ø 1 x 15.5	375	.596	6.25	3.20	GB, IE
P8545- P8547 P8546 - P8547	13+	Butane (G30) Propane (G31)	29mbar 37mbar	Ø 2 x 14.5	165	.176 .231	6.15	3.20	GB, IE

Efficiency Class 1

Rear Exit Flue	Wall Thickness	
	Min	Max
	200mm	550mm

Flue Outlet Size 100 ø / 152mm Ø
Gas Inlet Connection Size 8mm Ø

RESTRICTOR REQUIREMENT

VERTICAL & HORIZONTAL FLUE SPECIFICATION

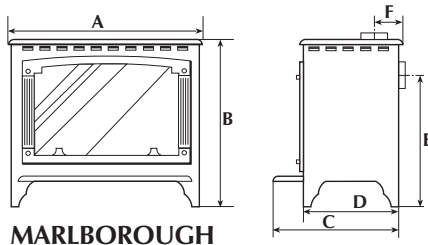
Vertical Flue Height from Top of Appliance	Horizontal Length	Restrictor size
500mm x 1490mm	250 Up to 1000mm	No Restrictor
1500mm x 3000mm	250 Up to 5000mm	75mm Ø

TOP EXIT-VERTICAL ONLY INCLUDING OFFSET

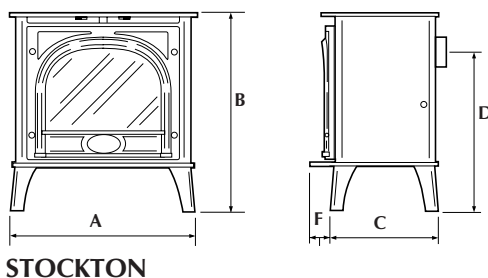
Vertical flue height from top of appliance	Restrictor Size
3000mm x 4990mm	52mm Ø
5000mm x 1000mm	47mm Ø

Packing Checklist

- | Qty | Description |
|-----|-----------------------|
| 1 | Stove |
| 1 | Flue Blanking Plate |
| 1 | Log Set (5 Logs)* |
| 1 | Bag of Embers* |
| 1 | Fixing Kit containing |
| 1 | Instruction Manual |
| 1 | Wood Screws |
| 1 | Rawplugs |
| 1 | Box Spanner |
- * Packed in appliance



A		B		C		D		E		F	
ins	mm	ins	mm	ins	mm	ins	mm	ins	mm	ins	mm
21 ¹ / ₂	548	23	583	16 ⁷ / ₈	410	13	330	17 ⁷ / ₈	453	5 ¹ / ₄	134



A		B		C		D		E		F	
ins	mm	ins	mm	ins	mm	ins	mm	ins	mm	ins	mm
22 ³ / ₄	579	24 ⁷ / ₁₆	618	13 ⁷ / ₈	345	19	482	5 ¹ / ₂	140	2 ⁸ / ₈	66

INSTALLATION INSTRUCTIONS

SITE REQUIREMENTS

1.1 FLUE & CHIMNEY REQUIREMENTS

NOTE: This appliance can only be installed in conjunction with the flue supplied.

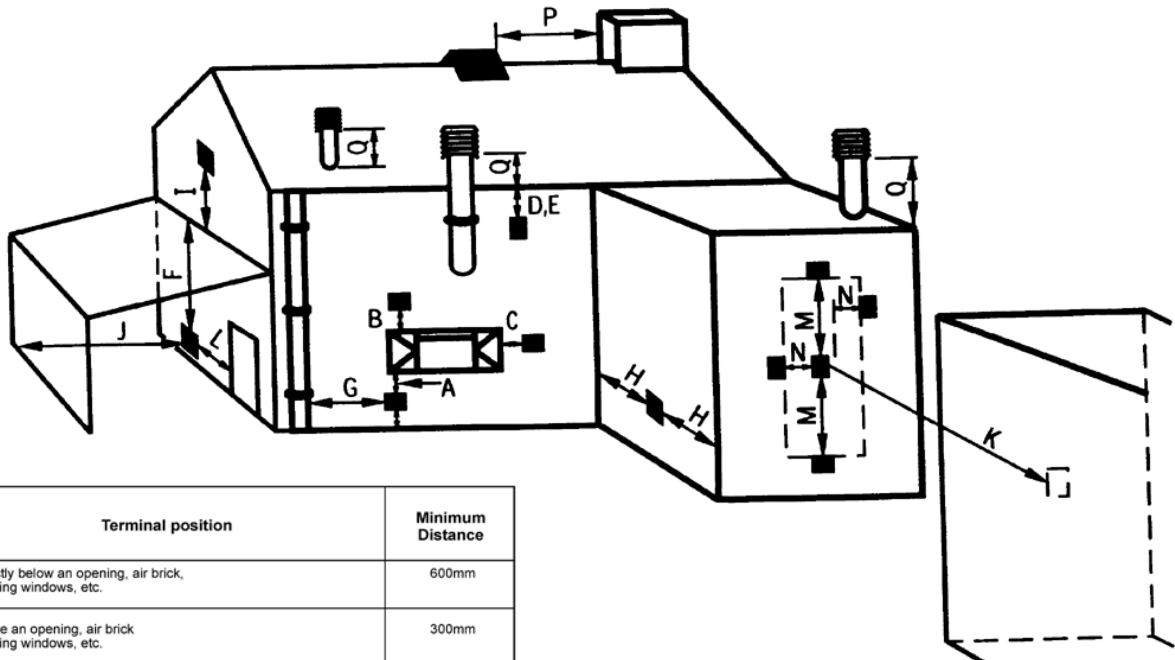
- 1.1 The flue must be sited in accordance with BS5440: Part 1 (latest edition). See diagram 1.
- 1.2 Any terminal which is less than 2 metres above any access (level ground, balcony or above a flat roof to which people have access), is to be fitted with the guard.
- 1.3 All vertical and horizontal flues must be securely fixed and fire precautions followed in accordance with local and national codes of practice.
- 1.4 A restrictor may be required. Refer to Technical Specifications on page 8.

Timber Framed Buildings

- 1.5 It will be necessary to provide additional clearance when the fire passes through a wall containing any combustible materials so as to prevent a fire hazard.
- 1.6 The hole through which the flue will pass, must have a steel sleeve which is positioned so that an air gap of at least 25mm is maintained between the outer surface of the flue, and any part of the sleeve.
- 1.7 For further guidance on the installation of gas appliances in timber framed buildings, contact your local buildings control authority.

NOTE: ATTENTION MUST BE GIVEN TO ALLOWING ADEQUATE CLEARANCE AT THE SIDES AND REAR OF THE STOVE, TO PROVIDE ACCESS FOR SERVICING.

1



Dimension	Terminal position	Minimum Distance
A*	Directly below an opening, air brick, opening windows, etc.	600mm
B*	Above an opening, air brick opening windows, etc.	300mm
C*	Horizontally to an opening, air brick opening windows etc.	300mm
D	Below gutters, soil pipes or drain pipe	300mm
E	Below eaves	300mm
F	Below balconies or car port roof	600mm
G	From a vertical drain pipe or soil pipe	300mm
H	From an internal or external corner	600mm
I	Above group roof or balcony level	300mm
J	From a surface facing the terminal (also see 6.1.2)	600mm
K	From a terminal facing the terminal	600mm
L	From an opening in the car port (e.g. door, window) into the dwelling	1200mm
M	Vertically from a terminal on the same wall	1500mm
N	Horizontally from a terminal on the same wall	300mm
O	From the wall on which the terminal is mounted	N/A
P	From a vertical structure on the roof	600mm
Q	Above intersection with roof	300mm

* In addition, the terminal should not be nearer than 300mm to an opening in the building fabric formed for the purpose of accommodating a built-in element such as a window frame

AR0602

INSTALLATION INSTRUCTIONS

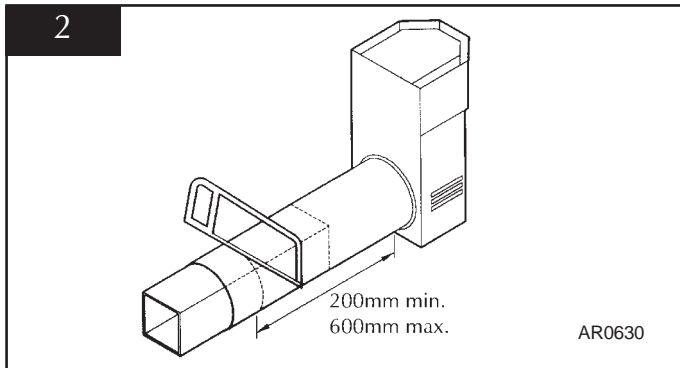
SITE REQUIREMENTS

REAR FLUE 8526

Terminal dimensions:

395 x 200 x 200mm (H x W x D)

Cut to length as required on site.



Guard supplied.

TOP EXIT

- 1.0 Two types of flue terminal are available, horizontal and vertical. For a horizontal terminal, decide on the terminal position and measure the height from the top of the appliance to the centre of the required hole. For minimum and maximum flue dimensions see diagram 2.
- 1.1 Access must be either above or at the side of the installation to allow the flue to be assembled on top of the appliance. When a horizontal terminal is used, the vertical sections are assembled first, then the 90-degree elbow and finally the horizontal section including the terminal. If a masonry installation is to be built, a suitable lintel must be used to support the opening.
- 1.2 Only the horizontal terminal section can be reduced in size.
Refer to Balanced Flue Technical Information for details of flue length.

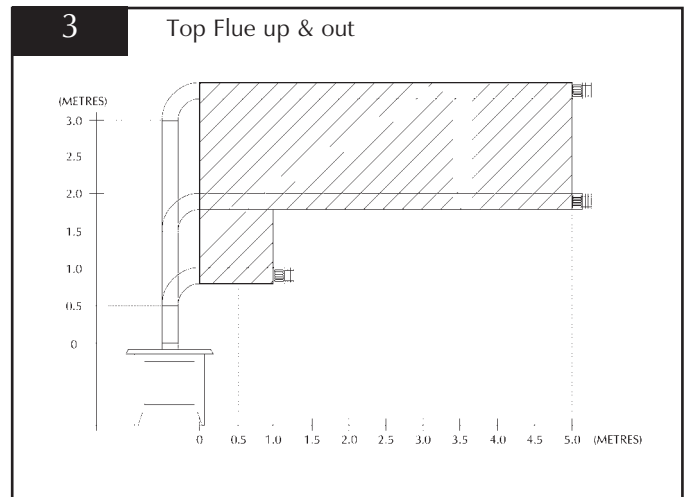
1.2 TOP FLUE UP & OUT KIT (8523/8523AN)

Vertical from the top of the appliance then horizontally out.
(See diagram 3)

The basic kit comprises:

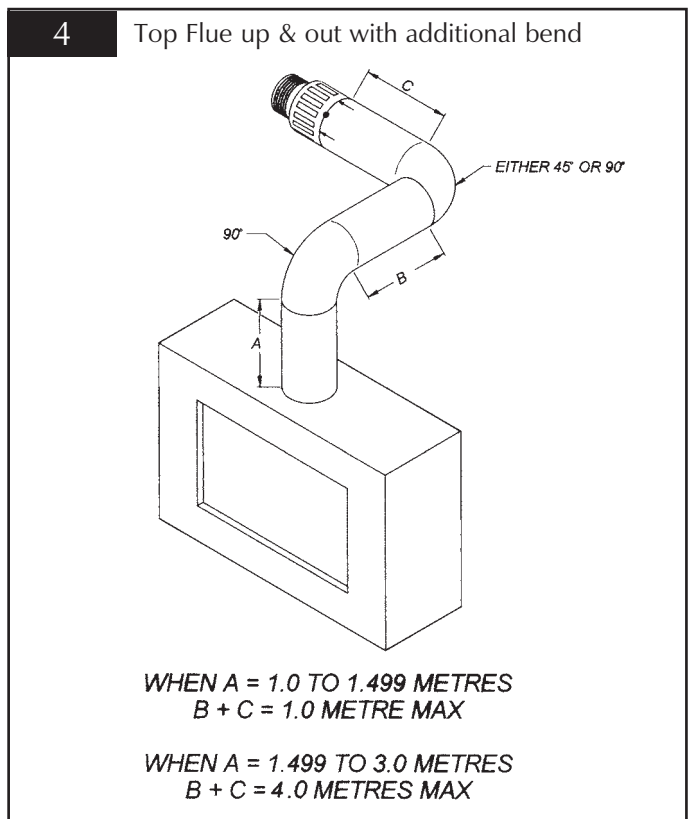
- 1 x 500mm vertical length
- 1 x 500mm terminal length (cut to length on site)
- 1 x 90 degree elbow
- 1 x wall plate
- 1 x 75mm restrictor fixing screws

The kit is the minimum required. Extra lengths may be added to the vertical and horizontal (see section 1.5), with reference to diagram 3.



TOP FLUE UP & OUT WITH ADDITIONAL BEND

Any additional bend may be used on the horizontal section (either 45° or 90°) but the overall horizontal flue run will be reduced. Refer to diagram 4.



INSTALLATION INSTRUCTIONS

SITE REQUIREMENTS

1.3 TOP FLUE VERTICAL KIT (8524/8524AN) - ALL APPLIANCES

Vertical from the top of the appliance. (See diagram 5)
A minimum vertical rise of 3m (9'10") to a maximum of 10m (32'10")

The basic kit comprises:

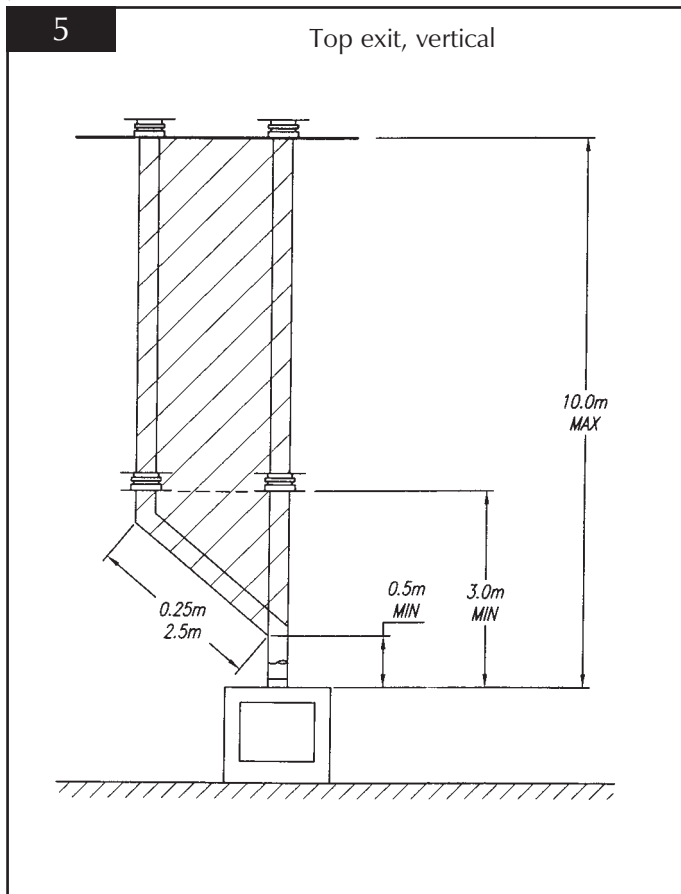
- 2 x 1m lengths
- 1 x 1m terminal lengths
- 1 x 52mm restrictor
- 1 x 47mm restrictor

Extra lengths may be added (see section 1.5), with reference to diagram 5 and the installation instructions of the appliance.

1.4 TOP FLUE VERTICAL OFFSET KIT (8530/8530AN) - ALL APPLIANCES

Used with kit 8524 only. (See diagram 5)

A minimum rise of 500mm (19¹/₂") is required to the first bend. Refer to diagram 5.



1.5 OPTIONAL EXTRA FLUE LENGTHS & BENDS

NOMINAL LENGTH	ACTUAL LENGTH	STAINLESS FINISH	ANTRACITE FINISH
200mm	140mm	8527	8527AN
500mm	440mm	8528	8528AN
1000mm	940mm	8529	8529AN
45° Bend	N/A	8507	8507AN
90° Bend	N/A	8508	8508AN
Optional Flue Collar (Stoves Only)		N/A	8548

2. VENTILATION

- 2.1 The appliance requires no additional ventilation.

3. INSTALLATION OF THE GAS SUPPLY

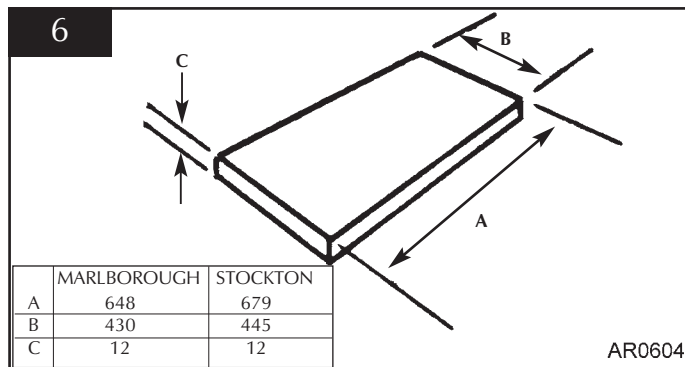
- 3.1 Before installation, ensure that the local distribution conditions (identification of the type of gas and pressure) and the adjustment of the appliance are compatible.
- 3.2 Ensure that the gas supply is capable of delivering the required amounts of gas, and is in accordance with the rules in force.
- 3.3 Soft copper tubing and soft soldered joints can be used but must not be closer than 50mm (2") to the underside of the firebox.
- 3.4 A means of isolating the gas supply to the appliance must be provided independent of any appliance control.
- 3.5 All supply gas pipes must be purged of any debris that may have entered, prior to connection to the appliance.

INSTALLATION INSTRUCTIONS

SITE REQUIREMENTS

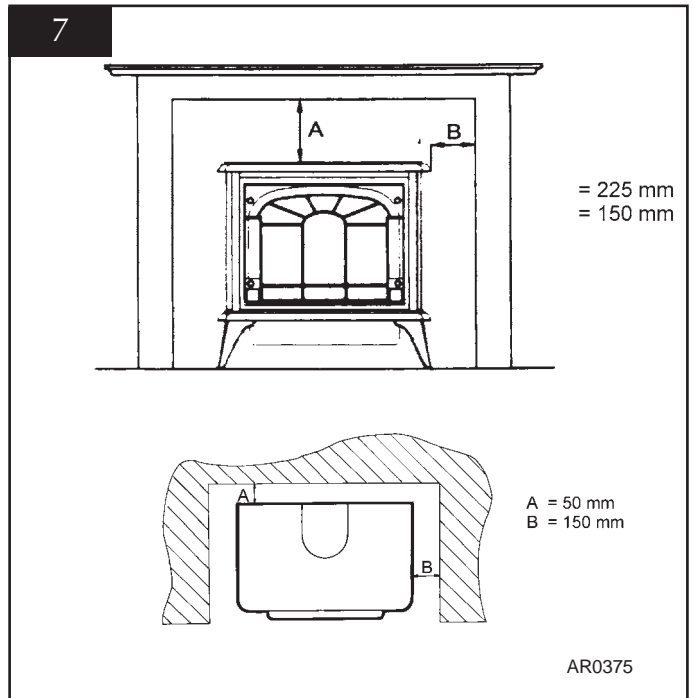
4. APPLIANCE LOCATION

- 4.1 This appliance must stand on a non-combustible hearth that is at least 12mm thick, and project a minimum of 50mm from the base of the stove in all directions. Diagram 6 shows the minimum dimensions.



- 4.2 The appliance must only be installed with a Gazco flue system.
- 4.3 This stove is not suitable for installation onto a combustible wall; all combustible materials must be removed from the area behind the stove.
- 4.4 Ensure that all clearances to combustible materials are complied with, in particular, there must be 50mm clearance to any rear wall and 150mm either side of the stove. If there are any combustible materials directly above the unit, a minimum distance of 225mm must be maintained. See diagram 7.

7



5. TIMBER FRAMED BUILDINGS

- 5.1 It will be necessary to provide additional clearance when the fire passes through a wall containing any combustible materials as so to prevent a fire hazard.
- 5.2 The hole through which the flue will pass, must have a steel sleeve which is positioned so that an air gap of at least 25mm is maintained between the outer surface of the flue, and any part of the sleeve.
- 5.3 For further guidance on the installation of gas appliances in timber framed buildings, contact your local buildings control authority.

NOTE: ATTENTION MUST BE GIVEN TO ALLOWING ADEQUATE CLEARANCE AT THE SIDES AND REAR OF THE STOVE, TO PROVIDE ACCESS FOR SERVICING.

INSTALLATION INSTRUCTIONS

INSTALLATION

IMPORTANT: ENSURE THAT THE APPLIANCE IS CORRECTLY ADJUSTED FOR THE GAS TYPE AND CATEGORY APPLICABLE IN THE COUNTRY OF USE. REFER TO DATA BADGE AND TECHNICAL SPECIFICATIONS ON PAGE 7 OF THIS BOOKLET. FOR DETAILS OF CHANGING BETWEEN GAS TYPES REFER TO SECTION 10 PAGE 24

1. CONTROL UPGRADE

- 1.1 This stove is fitted with a control valve that can be easily upgraded to battery powered remote control. There are two versions of this control which can be obtained through your local Gazco stockist.
- 1.2 This upgrade can be fitted before or after installation but if side clearances are limited then it will be easier to upgrade the stove before installation. Full instructions are included with the kit.
- 1.3 **STANDARD REMOTE CONTROL** This remote control can control the gas appliance after the pilot has been lit. It can turn the main burner on and regulate it from low through to high and back again. It can turn the main burner off leaving the pilot burning. GAZCO PART NUMBER 8455.
- 1.4 **THERMOSTATIC AND TIMER REMOTE CONTROL** This remote control can control the gas appliance after the pilot has been lit. In "MANUAL MODE" it can be used to turn the main burner on and manually regulate it from low through to high and back again. It can also be used to turn the main burner off leaving the pilot burning. In "AUTO MODE" it will automatically regulate the room temperature. In "TIMER MODE" it will turn the fire on and off according to a pre-set programme and automatically regulate the room temperature during two on periods. GAZCO PART NUMBER 8456.

2. SAFETY PRECAUTIONS

- 2.1 This appliance must be installed in accordance with the rules in force, and used only in a sufficiently ventilated space. Please read these instructions before installation and use of this appliance.
- 2.2 These instructions, must be left intact with the user.
- 2.3 Do not attempt to burn rubbish on this appliance.
- 2.4 In your own interest, and those of safety, this appliance must be installed by a competent person in accordance with local and national codes of practice. Failure to install the appliance correctly could lead to prosecution.
- 2.5 Keep all plastic bags away from young children.
- 2.6 Do not place any object on, or near to the stove. Allow adequate clearance above the stove.

IF THE APPLIANCE IS EXTINGUISHED OR GOES OUT IN USE, WAIT 3 MINUTES BEFORE ATTEMPTING TO RE-LIGHT THE APPLIANCE.

3. INSTALLATION OF THE STOVE

NOTE: THE CAST IRON DOOR IS HEAVY, TAKE EXTREME CARE WHEN HANDLING TO AVOID DAMAGING THE OUTER CASING.

- 3.1 Remove the outer sleeve and associated packaging from the stove. The ceramic logs and embers are located behind the door. Remove the cast iron door using the tool provided. Remove the box and place in a safe location.

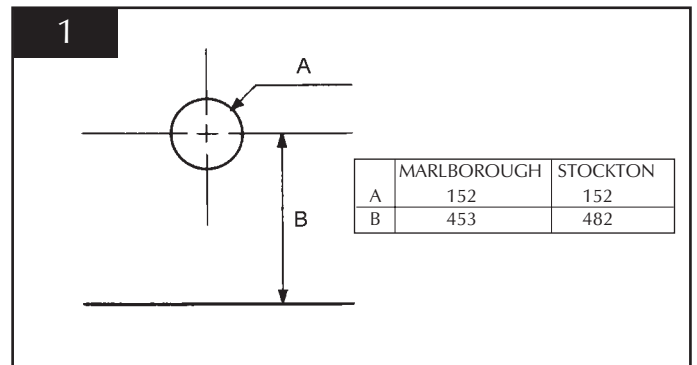
REFER TO SITE REQUIREMENTS SECTION FOR ALL FLUE OPTIONS

- 3.2 The appliance is suitable for top or rear flue exit. If a rear flue has been purchased proceed to 3.3. If a top exit required proceed to 5.9.

REAR EXIT-FLUE

WALL THICKNESS	MIN	200mm	MAX	600mm
----------------	-----	-------	-----	-------

- 3.3 Remove the adjustable flue assembly and terminal guard from the box. Take care not to lose the fixings.
- 3.4 Decide on the final stove position and ensure that all external flue terminal clearances are complied with, See Diagram 1 page 8. Mark the centreline of the appliance on the wall and mark the height from the top of the hearth to the centre of the flue. See diagram 1.



TAKE CARE WHEN MARKING OUT FOR THE FLUE AS IT IS DIFFICULT TO MOVE AFTER INSTALLATION.

A 152mm (6") diameter hole is required to install the flue. This can be achieved by either:

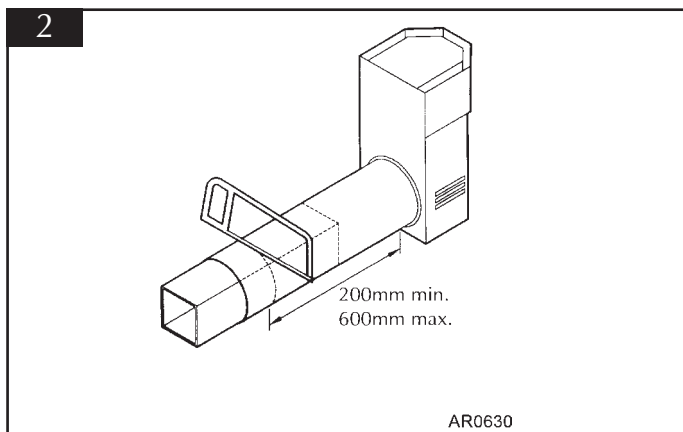
- a) Core Drill.
- b) hammer & chisel.

It is advisable to drill small holes around the circumference when using method b). Make good at both ends of the hole.

INSTALLATION INSTRUCTIONS

INSTALLATION

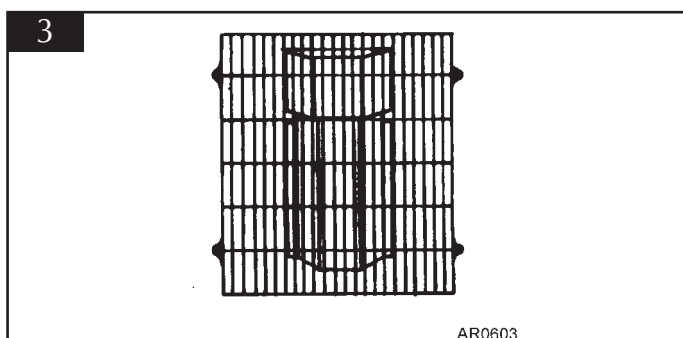
- 3.5 To set the flue length, measure the total wall thickness, then add 65mm. This total flue length will give the minimum clearance of 50mm between the rear of the stove and the wall. To cut the flue to length using a hacksaw, first insert the square cardboard fitment into the flue. This will support the inner flue. Cut through the flue and fitment. See diagram 3. ENSURE THE REMAINING FITMENT IS REMOVED FROM THE FLUE. File the cut edges of flue smooth.



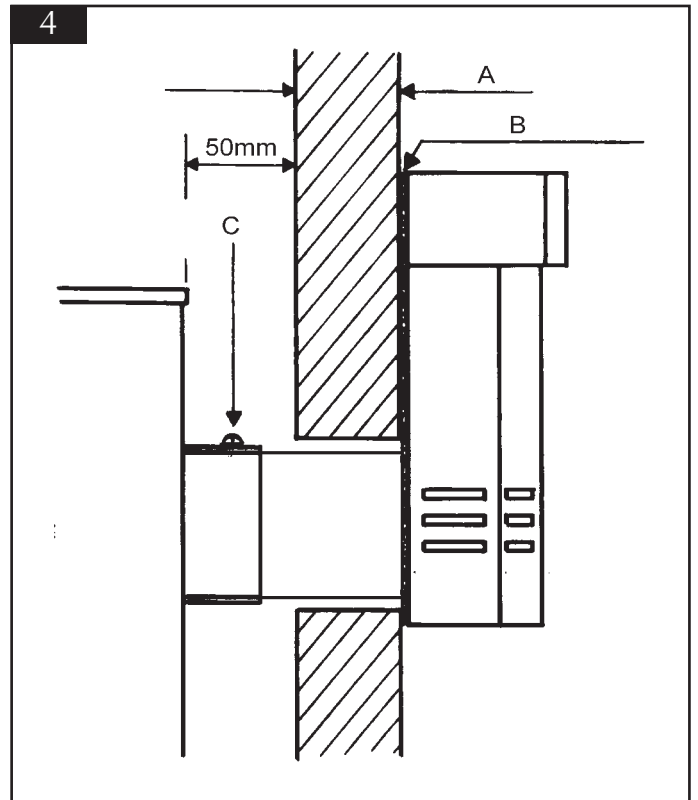
- 3.6 From outside, locate the flue assembly into the hole until the terminal is flat against the wall. Ensure the terminal is vertical. NOTE THE ORIENTATION OF THE TERMINAL. See diagram 4. Mark the four fixing holes, remove the terminal and drill the holes, inserting the rawplugs supplied.

DO NOT FIX THE FLUE AT THIS STAGE.

- 3.7 Position the stove ensuring all appropriate clearances are observed.
- 3.8 Before fixing the flue in the wall, apply a bead of suitable weatherproof sealant (silicone or similar) around the perimeter of the back face of the terminal. B. Feed the flue through the wall ensuring it travels smoothly. Working from inside, engage the flue in the inner and outer spigots, making sure the rubber seals on the spigots is not damaged. From the outside, insert the four screws in the flanges of the flue terminal ensuring the sealant has formed a water tight joint to the wall. Finally secure the flue to the spigot by drilling a 3.5mm hole through the larger hole in the spigot and insert the stainless steel screw provided, C See diagram 4.



Any terminal which is less than 2 meters above any access (level ground, balcony or above a flat roof to which people have access), is to be fitted with the guard supplied, see diagram 3.



TOP EXIT-VERTICAL AND HORIZONTAL FLUE

- 3.9 There are two types of top exit flues available, one with a vertical terminal, the other with a horizontal terminal. Minimum and maximum flue lengths are shown in diagram 2 page 9. There is an optional decorative collar, part No. 8548, to cover the gap between the top plate and the flue. THIS MUST BE IN PLACE BEFORE THE FLUE IS INSTALLED.

IMPORTANT: WHEN INSTALLING A TOP EXIT FLUE REFER TO THE TECHNICAL SPECIFICATIONS ON THIS PAGE FOR THE APPROPRIATE SIZE RESTRICTOR.

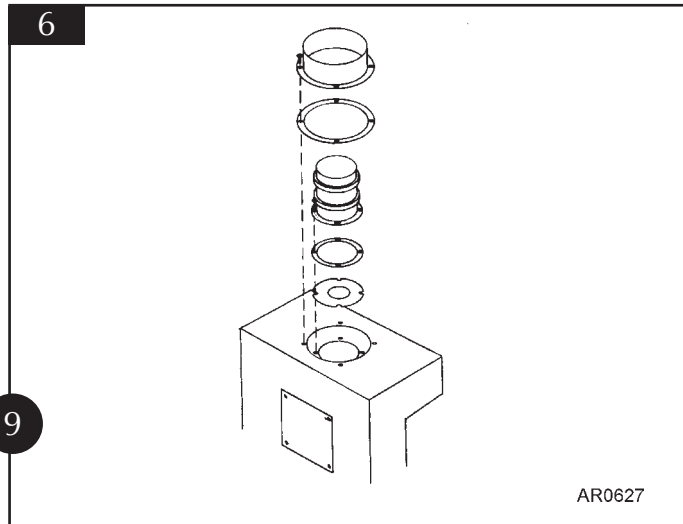
TOP EXIT FLUE - VERTICAL AND HORIZONTAL

Vertical Flue Height From Top of Stove	Horizontal Length	Restrictor Size
500mm to 1490mm	250mm to 1000mm	No Restrictor
1500mm to 3000mm	250mm to 5000mm	75mmØ

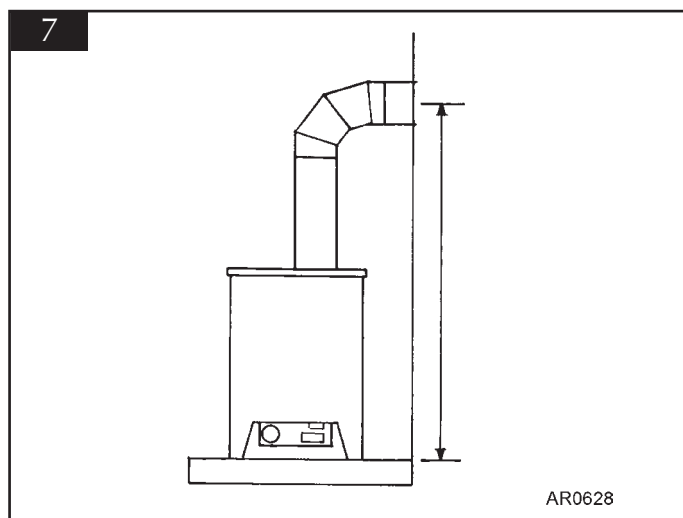
INSTALLATION INSTRUCTIONS

INSTALLATION

- 3.10 The appliance is factory set for rear exit, therefore for top exit the spigots and blanking plates must be reversed. See diagram 6. Take care not to drop or damage the gaskets. If a restrictor is required fit this between the small outlet spigot and the airduct. See diagram 6. The large outer spigot must be fitted with the flue fixing hole facing forward.



- 3.11 If the horizontal terminal is used assemble the required amount of vertical flue including the 90° elbow onto the stove. Drill through the fixing hole in the spigot using a 3.5mm drill and secure with the screw provided. Do not forget the optional decorative collar if you have purchased one. A wall plate is supplied to secure the flue to the inside wall. Bend the tab to 90° and loosely place on the elbow.



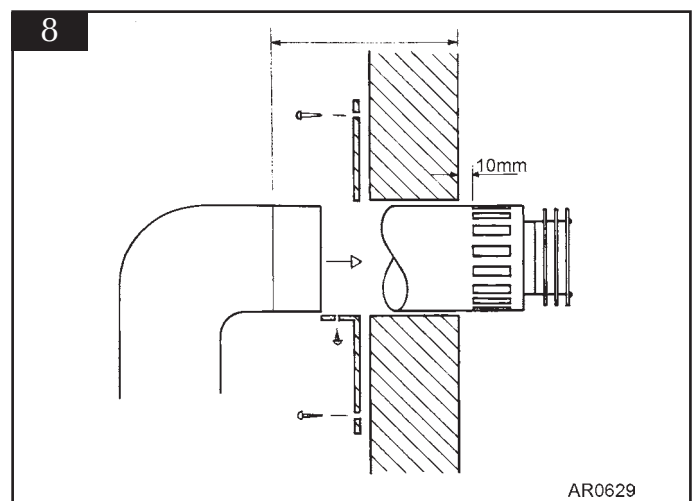
- 3.12 To determine the height of the hole for the horizontal flue, measure from the hearth to the centre of the elbow. See diagram 7. Refer to 3.4 for methods of cutting the hole.

- 3.13 The final length of horizontal flue pipe incorporates the terminal. This is the only section that can be shortened.

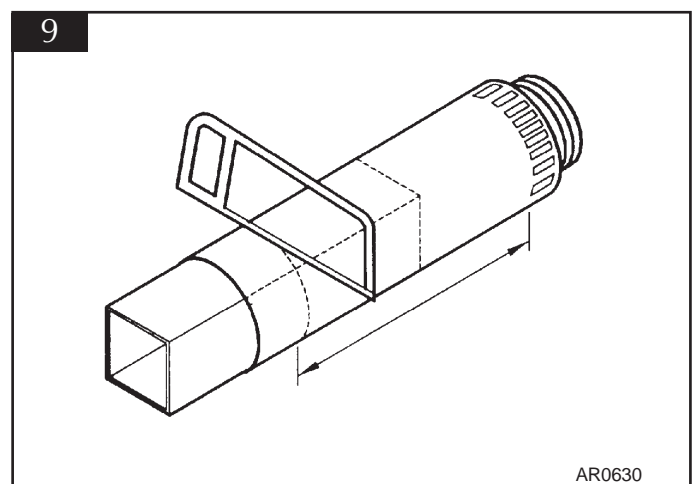
DO NOT ATTEMPT TO SHORTEN ANY OTHER SECTION OF FLUE PIPE.

The fixing holes for the wall plate can only be marked on the wall. Use the wall plate as a template. The securing tab can be either on top or underneath the flue. See diagram 8.

- 3.14 To determine the length of the terminal flue section measure from the outside of the wall to the stop on the 90° elbow. Horizontal flue sections may be fitted between the elbow and the terminal section. See diagram 8.



- 3.15 Once the length of the terminal has been obtained, mark the flue all the way round, insert the cardboard fitment as shown in diagram 9. This will support the inner flue. When cutting take care not to damage the edges of the flue. File any sharp edges from the cut end of the flue. **REMOVE ANY CARDBOARD FITMENT REMAINING.**



INSTALLATION INSTRUCTIONS

INSTALLATION

- 3.16 Remove the stove and flue assembly from the hearth and drill the four fixing holes for the wall plate, insert the rawlplugs supplied. Assemble the horizontal flue onto the elbow and reposition the stove ensuring the flue slides smoothly through the wall. Alternatively, place the flue terminal in the wall, place the stove on the hearth and connect the flue to the elbow. Reposition the stove.
- 3.17 Fix the wall plate to the wall using the four black screws provided. Drill through the fixing tab of the wall plate using a 3.5mm drill and secure with the screw provided. Make good and weatherproof around the outside of the flue.

TOP EXIT - VERTICAL FLUE

- 3.18 If a vertical only flue system has been purchased refer to diagram 10 and 11 for minimum and maximum options. The following areas need careful consideration:-
- Terminal positions
 - Flue supports
 - Weatherproofing
 - Fire precautions
- For all of the above, local and national codes of practice must be adhered to.
test point for leaks.

TOP EXIT - VERTICAL ONLY INCLUDING OFFSET

Vertical Height From Floor	Restrictor Size
3000mm to 4990mm	52mmØ
5000mm to 10,000mm	47mmØ
Flue temp	400°C

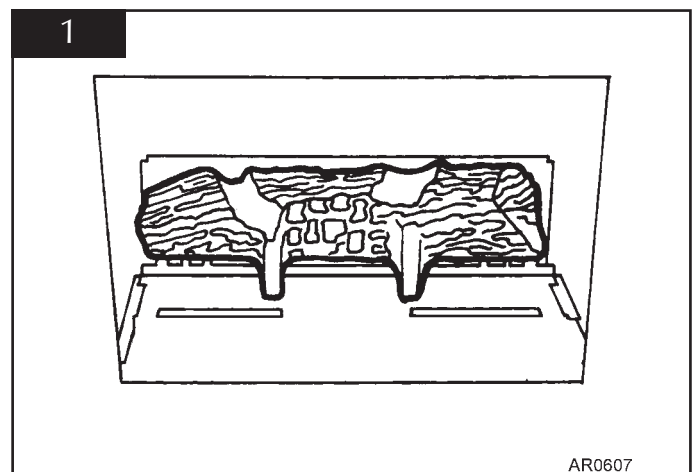
4. FUELBED ARRANGEMENT

The major ceramic components can be found inside the firebox, remove the cast iron door using the tool provided, and remove all the protective packaging from these components.

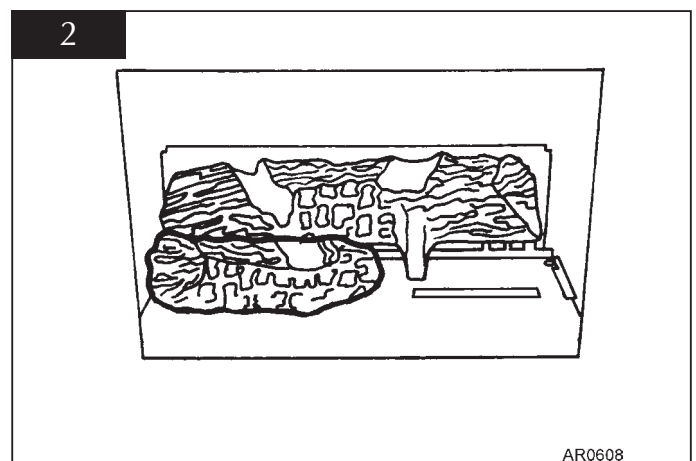
NOTE: THE CAST IRON DOOR IS HEAVY, TAKE EXTREME CARE WHEN HANDLING TO AVOID DAMAGING THE OUTER CASING.

The fuelbed consists of 5 logs and 1 bag of embers. The logs have letters A,B,C,D and E moulded into them for identification.

- 4.1 Take the rear log A and place it up against the rear of the fire sitting on the two flat ledges of burner. The two legs of the log should sit between the rear burner ports. See diagram 1.



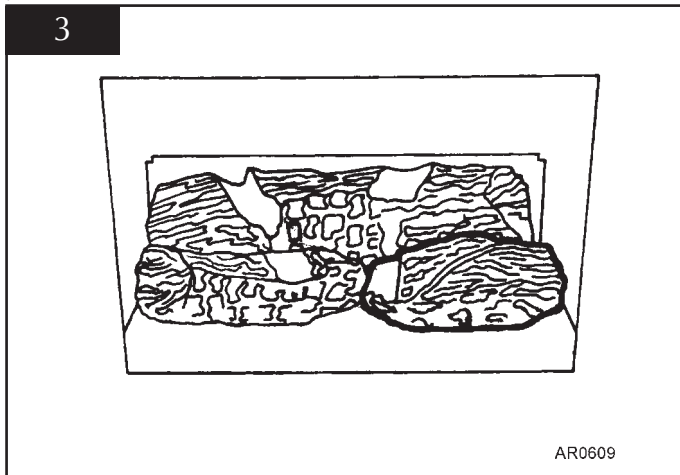
- 4.2 Place log B on the left hand side of the burner with the location bar on the underside of the log fully located in the long slot of the burner. Make sure the log is as far to the left as possible. See diagram 2.



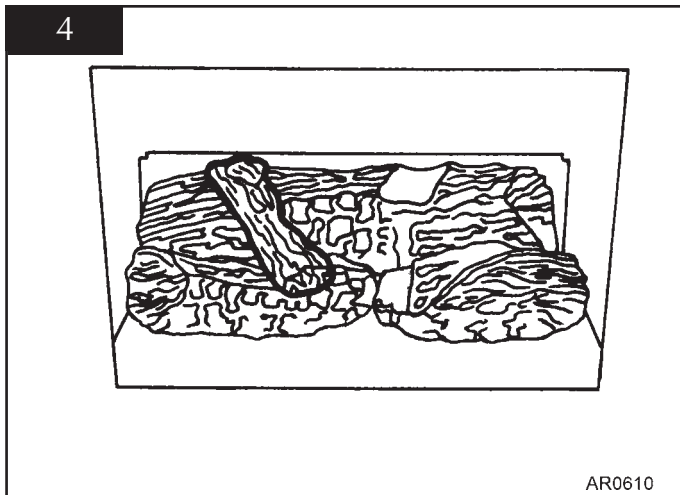
INSTALLATION INSTRUCTIONS

INSTALLATION

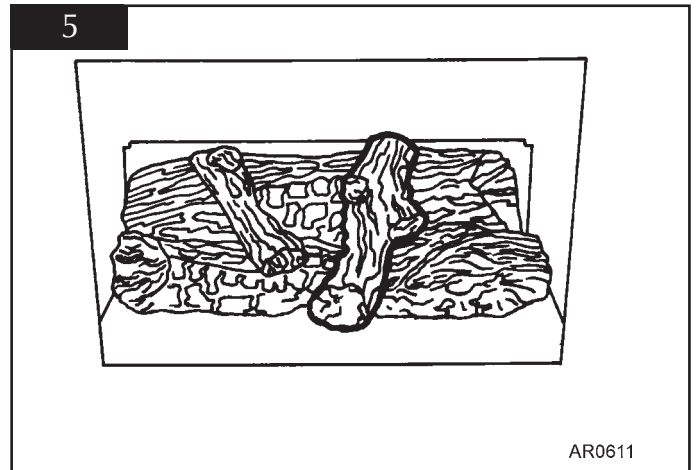
- 4.3 Place log C on the right hand side of the burner with the location bar on the underside of the log fully located in the long slot in the burner. Make sure the log is as far right as possible. See diagram 3



- 4.4 Place log D across from the rear log A to log B on the left hand side. There are cutouts in both logs for location. The half round end of log d should face forwards showing a dark burnt effect. See diagram 4.

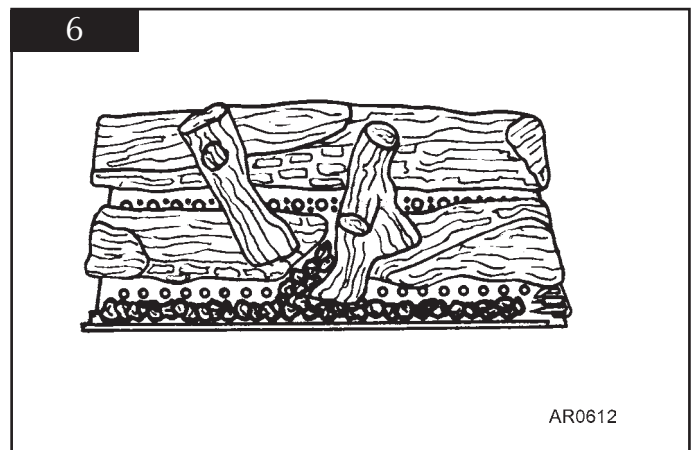


- 4.5 Place log E across from the rear of log A to log C on the right hand side. Again, there are cutouts for location. Log E should have the small branch on the right hand side when installed correctly. The front of the log should sit on the burner skin and should fit tight to log C. See diagram 5.



- 4.6 Place the embers along the front of the burner so as to cover the front edge. These can be placed up to the front edge of the burner ports. Do not cover the Burner ports. Do not place embers between Burner ports and pilot. Place a few embers between logs B and C in the centre of the burner.

If any embers remain, keep them in the bag for future use, see diagram 6.



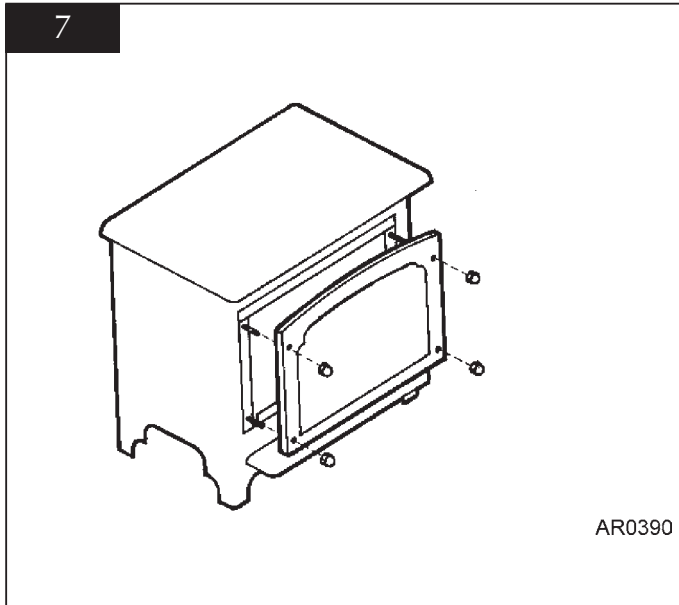
NOTE: ENSURE THAT LOGS ARE POSITIONED, AS DETAILED ABOVE.

INSTALLATION INSTRUCTIONS

INSTALLATION

- 4.7 Ensure that the fibreglass seal on the back of the door is intact, locate the door on the four studs and slide back to the firebox. Secure in place using the four brass dome nuts and tool supplied, do not overtighten the nuts, see diagram 7.

NEVER OPERATE THE STOVE WHEN THE DOOR IS REMOVED.



5. LIGHTING

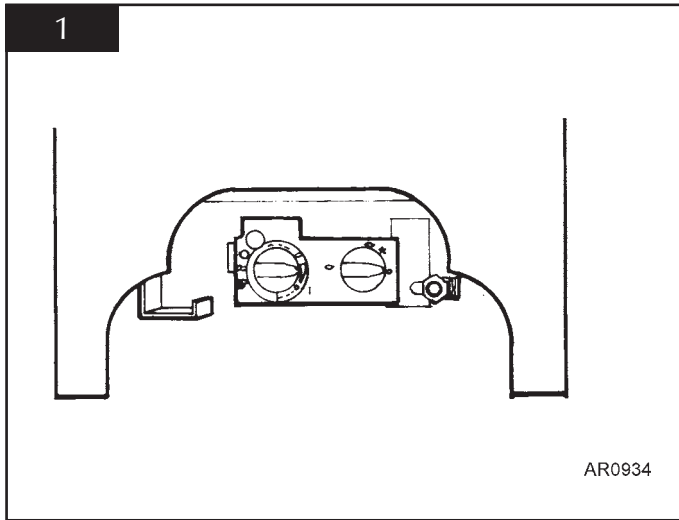
- 5.1 Full instructions are given in the Users Section.

INSTALLATION INSTRUCTIONS

COMMISSIONING

1. COMMISSIONING

- 1.1 Having run the gas supply to the stove, **PURGE THE SUPPLY PIPE**, this is essential to expel any debris that may block the gas controls. Connect the gas supply to the 8mm-compression elbow at the RH rear corner of the stove, see diagram 1.



- 1.2 Connect a suitable pressure gauge to the test point located on the inlet fitting, and turn the gas supply on. Light the appliance and check all gas joints for possible leaks. Turn the appliance to maximum and check that the supply pressure is as stated on the databadge. Turn the gas off and replace the test point screw, turn the gas on and check the test point for leaks.
- 1.3 Check that the installation instructions and any local regulations are complied with. Check that all seals are in good condition. Complete the commissioning checklist on page 3. Explain the operation of the appliance to the end user. Hand the completed instructions to them for safe keeping, as the information will be required when making in guarantee claims.

SERVICING INSTRUCTIONS

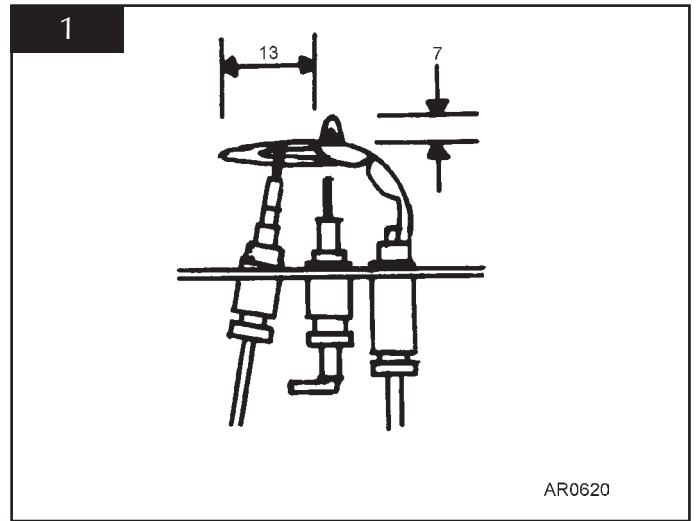
SERVICING / FAULT FINDING CHARTS

1. SERVICING REQUIREMENTS

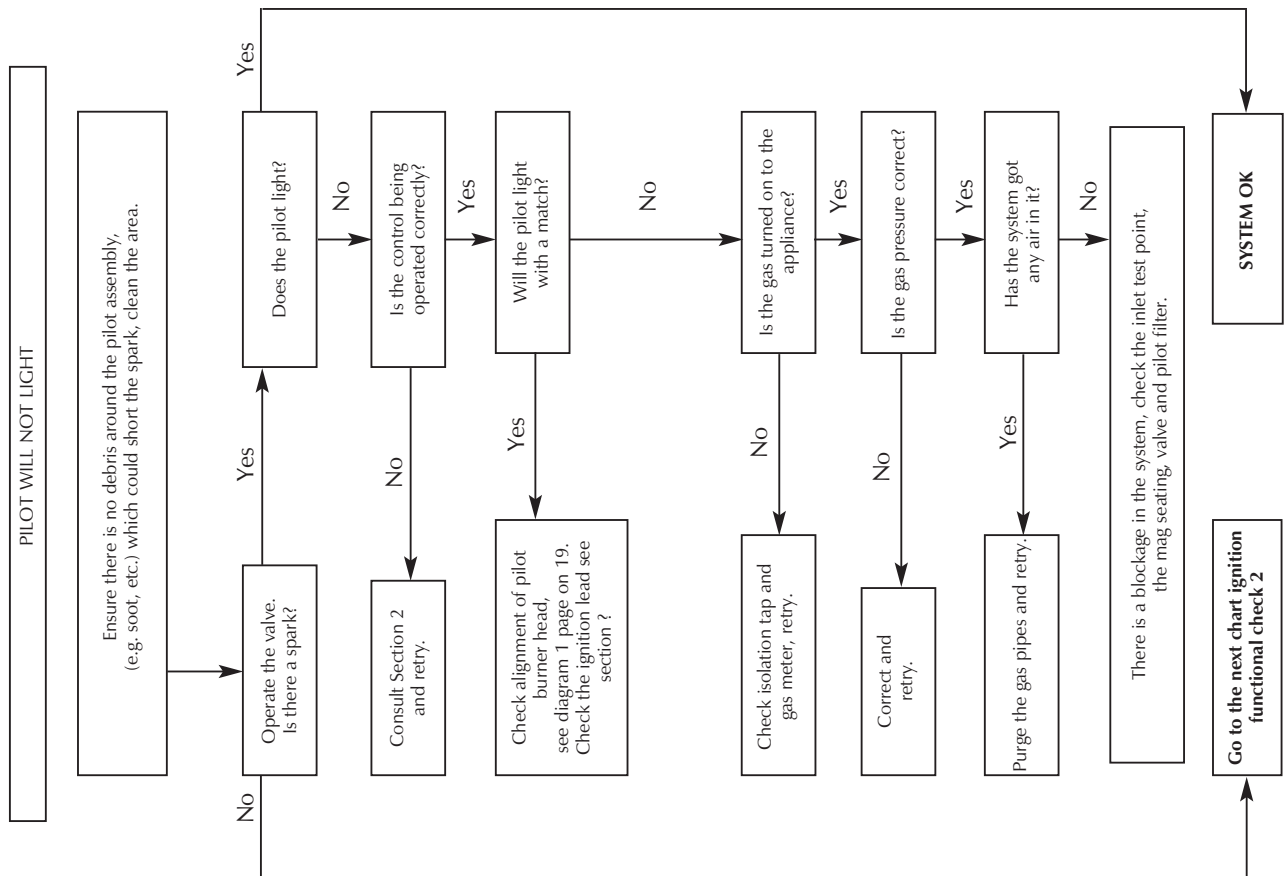
This appliance must be serviced at least once a year by a competent person.

All tests must be serviced by best practice as described by the current CORGI recommendations.

- 1.1 Before any test are undertaken on the appliance, conduct a gas soundness test for the property to ensure that there are no gas leaks prior to starting work.
- 1.2 Before any tests are undertaken on the appliance it is also recommended to fully check the operation of the appliance.
- 1.3 Special checks
 - 1.3.1 Clean any lint or fluff from the pilot
 - 1.3.2 Clean away any fluff or lint from under the burner
 - 1.3.3 Check that the spark gap on the pilot is correct
- 1.4 Correct any faults found during the initial tests and then re-commission the appliance conducting the usual safety checks.
- 1.5 Advise the customer of any remedial action taken.



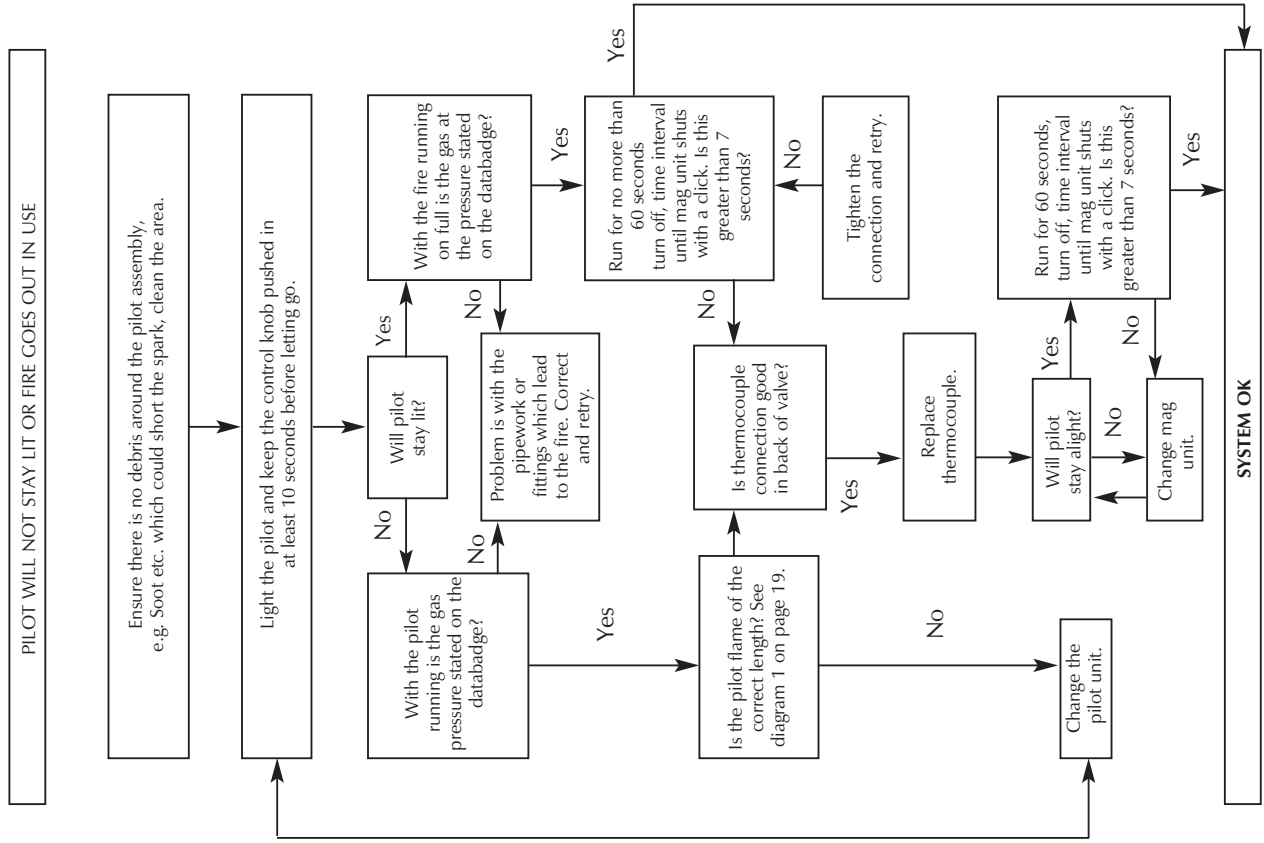
IGNITION FUNCTIONAL CHECK 1



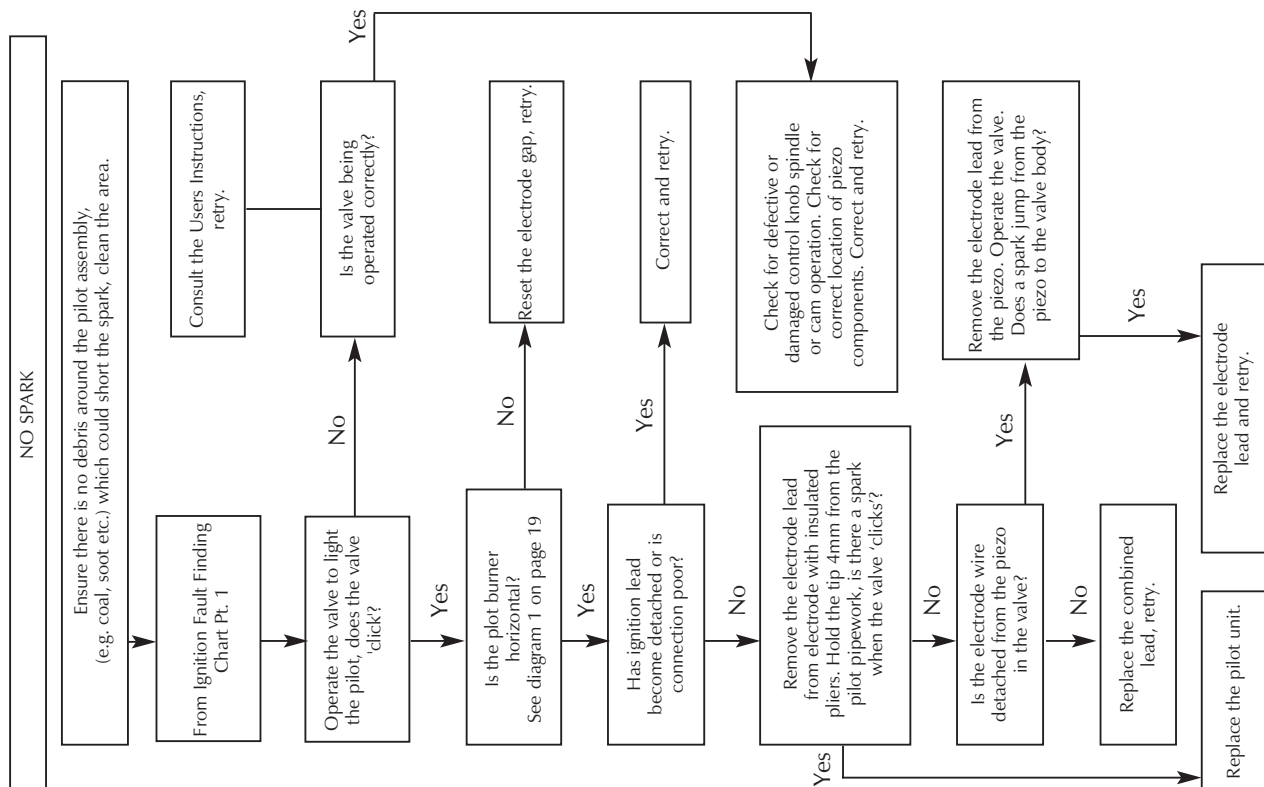
SERVICING INSTRUCTIONS

FAULT FINDING CHARTS

FLAME FAILURE FUNCTIONAL CHECK 3



IGNITION FUNCTIONAL CHECK 2



SERVICING INSTRUCTIONS

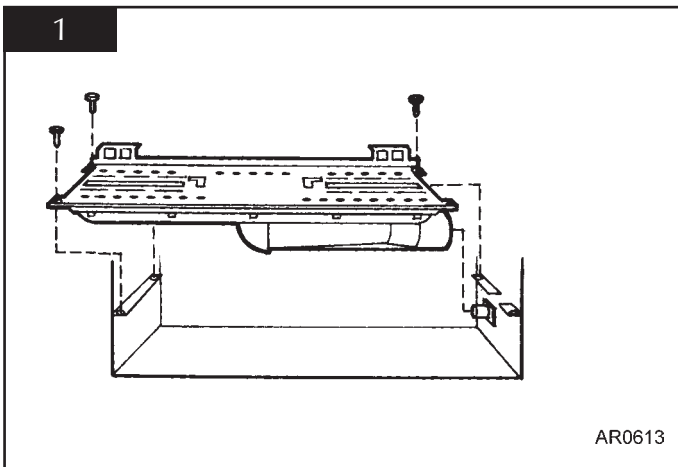
REPLACING PARTS

1. GENERAL

- 1.1 All principal components can be replaced without removing the stove from its installation, although it is essential that the gas supply to the appliance is turned off at the isolation device before proceeding further.
- 1.2 If, for any reason, the flue has to be removed from the stove, the seals must be replaced.

2. MAIN BURNER

- 2.1 Turn the gas supply off at the isolation device, remove the door and place to one side, carefully remove the ceramic fuelbed components.
- 2.2 Remove the three securing screws, two at the rear and one at the front left hand side. See diagram 1. Raise the left hand side of the burner to clear the bracket, draw the left hand side forward. The burner venturi is engaged over the injector. When removing the burner be sure to clear the injector, this will release the right hand side of the burner. Take care when removing the burner so as not to damage the pilot burner.



- 2.3 To replace the burner, engage the venturi over the injector ensuring the burner sits on top of the fixing bracket. Push the burner to the right and whilst holding, insert the three fixing screws.

NOTE: BEFORE REPLACING THE BURNER, ENSURE THE SILICONE SEAL AROUND THE INJECTOR IS INTACT.

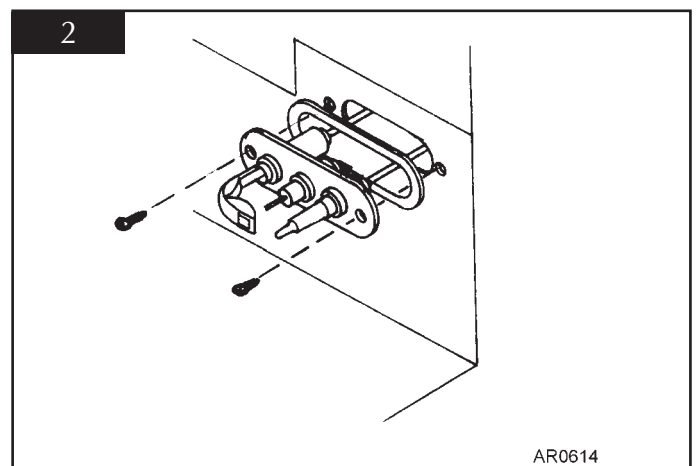
3. PILOT UNIT

The pilot assembly consists of five components, which can be individually changed, these are:

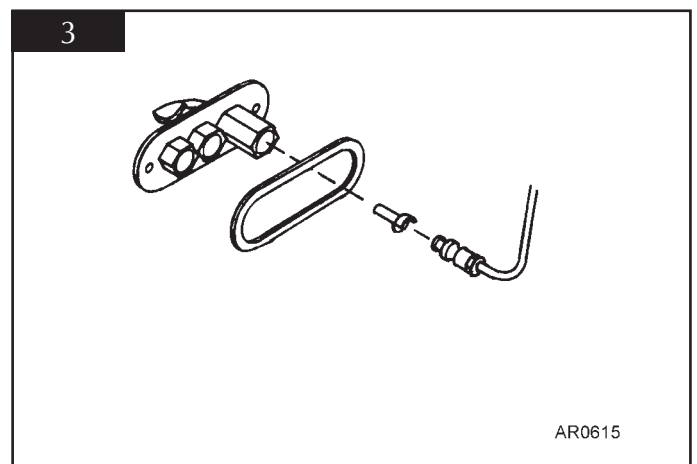
- 1) Pilot burner bracket.
- 2) Pilot injector.
- 3) Electrode.
- 4) Thermocouple.
- 5) Gasket.

- 3.1 Turn the gas supply off at the isolation device, remove the door and place to one side, carefully remove the ceramic fuelbed components
- 3.2 Remove the main burner. See section 2.
- 3.3 Remove the two fixing screws from the pilot bracket, see diagram 2. Gently draw the assembly away from the firebox to give access to the nuts and ignition lead.

NOTE: TAKE CARE NOT TO DAMAGE THE GASKET.



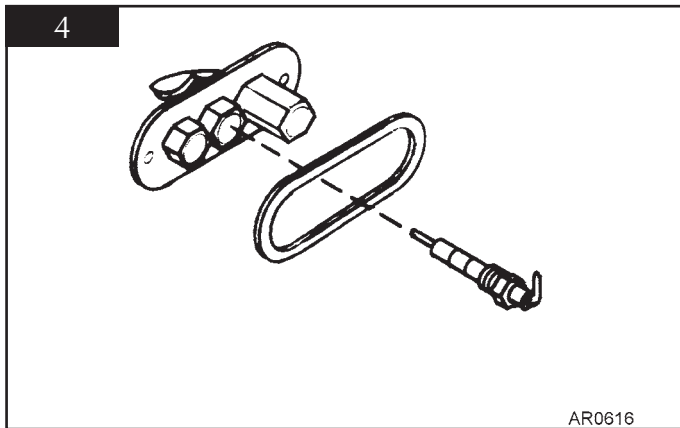
- 3.4 To remove the pilot injector, undo the compression nut on the pilot feed pipe and withdraw the injector which will be hooked onto the olive. When replacing an injector always make sure it is hooked onto the olive before inserting it into the pilot burner. See diagram 3.



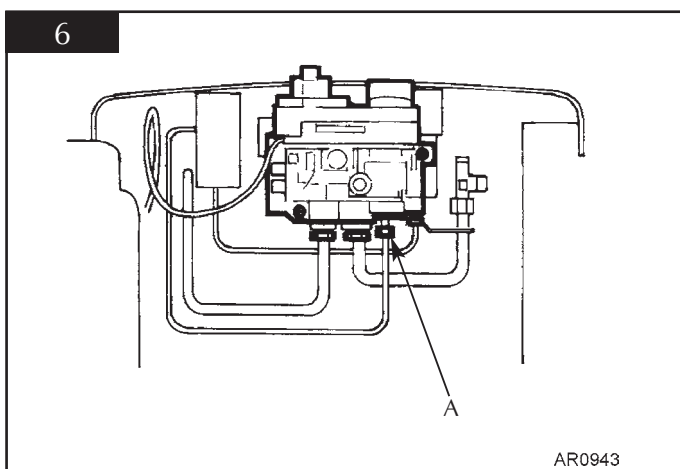
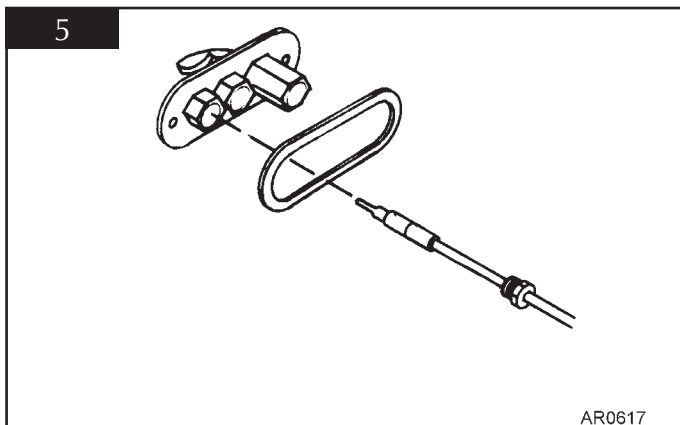
SERVICING INSTRUCTIONS

REPLACING PARTS

- 3.5 To remove the electrode, disconnect the ignition lead and undo the retaining nut. The electrode can now be removed, note the orientation of the electrode terminal when reassembling. See diagram 4.



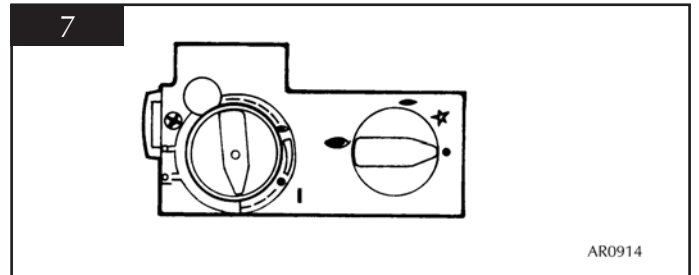
- 3.6 To remove the thermocouple, undo the retaining nut and withdraw the thermocouple, see diagram 5. Undo the thermocouple from the back of the gas valve, see diagram 6, arrow a. Reassemble in reverse order, do not overtighten.



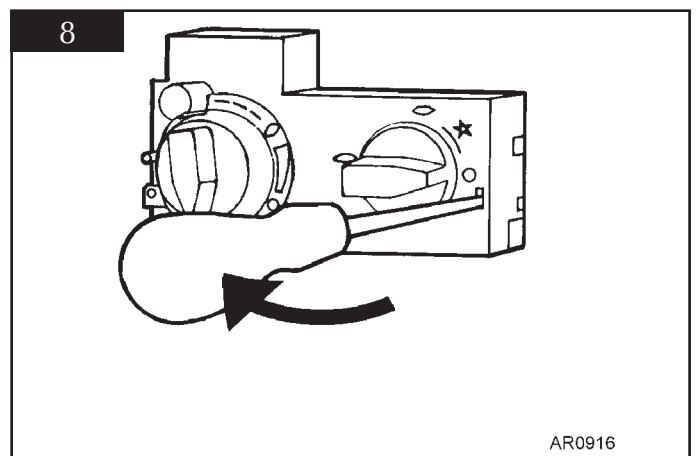
- 3.7 To remove the gasket, disconnect all the above components and withdraw the gasket. If it is damaged, replace with a new item. Always replace the gasket first when reassembling the pilot components.

4. IGNITION LEAD

- 4.1 Gain access to the back of the pilot assembly, see section 3 and disconnect the ignition lead from the electrode.
4.2 Undo the single screw that secures the left hand side of the control cover, see diagram 7.



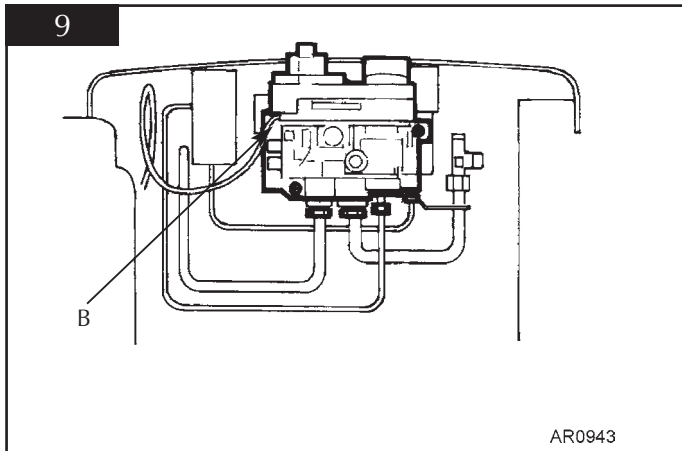
- 4.3 To release the right hand side of the control cover insert the narrow blade screwdriver into the slot shown in diagram 8. Lever it gently and pull from the right hand side at the same time. The cover will now come off, there is a small cylindrical metal spacer inside the cover, this must be kept and replaced on the fixing screw during reassembly..



- 4.4 Disconnect the end of the ignition lead from the valve body, see diagram 9, arrow b, note the existing route of the ignition lead.

SERVICING INSTRUCTIONS

REPLACING PARTS



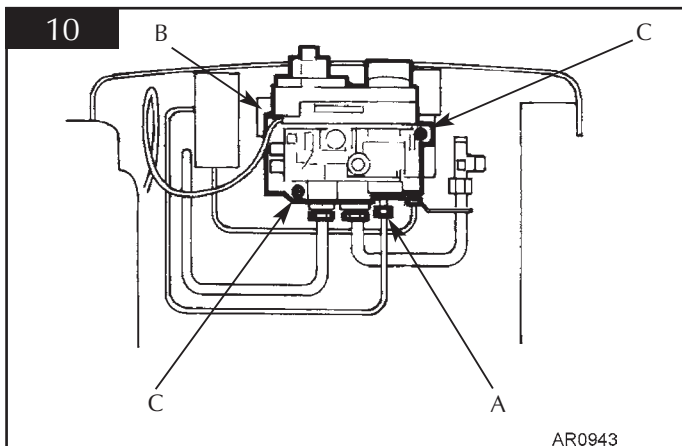
- 4.5 Replace with a new ignition lead following the same route as the old one. Replace the valve cover and the pilot assembly.
- 4.6 Check the operation of the new ignition lead.

5. PIEZO

- 1.1 The piezo assembly used on this appliance is not serviceable and is unlikely to fail.

6. GAS VALVE

- 6.1 Turn the gas supply off at the isolation device.
- 6.2 Disconnect the 2 x 8mm and 1 x 4mm gas pipe fittings at the back of the gas valve and also disconnect the thermocouple, see diagram 10A.
- 6.3 Remove the control valve cover and disconnect the ignition lead from the gas valve, see section 4.
- 6.4 Undo the two bolts securing the gas valve to the appliance and remove the valve, see diagram 10, arrow c
- 6.5 Replace in reverse order.
- 6.6 Check all joints for gas leaks, check the operation of the thermocouple and ignition lead.

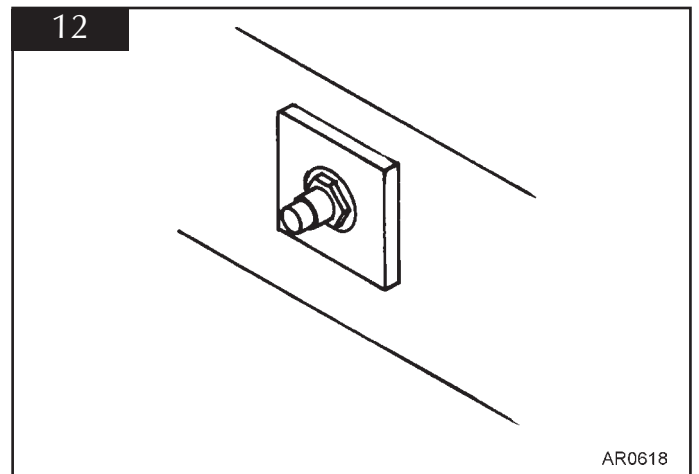


7. MAGNETIC SAFETY VALVE

- 7.1 Turn the gas supply off at the isolation device. Undo the thermocouple connection from the back of the gas valve.
- 7.2 Undo the mag valve retaining nut at the back of the control valve, gently tap out the mag valve and replace with a new unit. Replace the retaining nut and tighten. See diagram 10, arrow a.
- 7.3 Secure the thermocouple in the rear of the gas control. (Do not overtighten). Turn the gas supply on and check the entire pipework and valve joints for any leaks.

8. MAIN INJECTOR

- 8.1 Turn the gas supply off at the isolation device. Refer to section 2 to remove the main burner.
- 8.2 Undo the compression nut from the feed pipe at the gas control under the appliance.
- 8.3 Working from inside the firebox, remove the lock nut from the injector, see diagram 12 and withdraw the injector complete with the feed pipe from under the appliance.



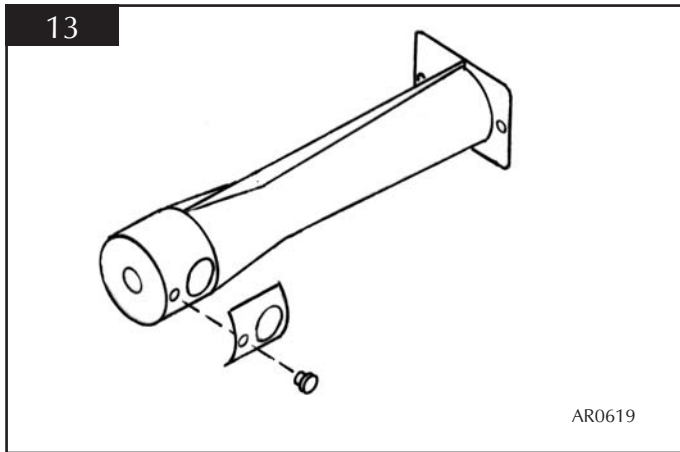
- 8.4 Holding the injector with a spanner, undo the feed pipe.
NOTE: THE ORIENTATION OF THE INJECTOR.
- 8.5 Reassemble in reverse order, turn on the gas supply and check for any leaks.

SERVICING INSTRUCTIONS

REPLACING PARTS

9. PRIMARY AERATION PLATE

- 9.1 Turn the gas supply off at the isolation device.
- 9.2 Refer to section 21 to remove the main burner.
- 9.3 Remove the screw retaining the aeration plate (if fitted) from the end of the venturi, see diagram 13.



- 9.4 Reassemble in reverse order with correct aeration plate.
NOTE: EVEN IF NO AERATION PLATE IS REQUIRED, THE SMALL SCREW MUST BE REPLACED.

10. CHANGING BETWEEN GAS PIPES

In order to change between gas types, it will be necessary to change the following items:

- Pilot Injector
- Control Valve
- Main Injector Main Burner
- Aeration Plate
- Data Badge

The relevant parts can be ordered from the parts list, always quote the appliance type and serial number when ordering spare parts.

NOTE: THE CONTROL VALVE IS FACTORY PRESET FOR THE CORRECT GAS TYPE AND MODEL, A NEW UNIT WILL NEED TO BE ORDERED WHEN CHANGING BETWEEN GAS TYPES.

11. CONTROL UPGRADE

See section 4 in User Instruction, page 4.

SERVICING INSTRUCTIONS

REPLACING PARTS

13. SHORT SPARES LIST

Component	NG		LPG	
	G20 20mb	G25 20mb	G30 29mb	G31 37mb
MAIN INJECTOR	IN0045		IN0030	IN0030
AERATION PLATE				
PILOT INJECTOR	PI0026		PI0015	
BURNER ASSEMBLY	GZ1628		GZ1629	
THERMOCOUPLE	PI0010			
MAGNETIC UNIT	GC0092			
ELECTRODE	PI0053			
GASKET	PI0052			
GAS VALVE	GC0088**			
IGNITION LEAD	GC0090			
LOG A	GC0262			
LOG B	GC0263			
LOG C	GC0264			
LOG D	GC0265			
LOG E	GC0266			
EMBERS	CE0267			
STANDARD UPGRADE KIT	8455			
THERMOSTAT/TIMER KIT	8456			

SERVICE RECORDS

1ST SERVICE

Date of Service:.....
Next Service Due:.....
Signed:.....
Dealer's Stamp/CORGI Registration Number

2ND SERVICE

Date of Service:.....
Next Service Due:.....
Signed:.....
Dealer's Stamp/CORGI Registration Number

3RD SERVICE

Date of Service:.....
Next Service Due:.....
Signed:.....
Dealer's Stamp/CORGI Registration Number

4TH SERVICE

Date of Service:.....
Next Service Due:.....
Signed:.....
Dealer's Stamp/CORGI Registration Number

5TH SERVICE

Date of Service:.....
Next Service Due:.....
Signed:.....
Dealer's Stamp/CORGI Registration Number

6TH SERVICE

Date of Service:.....
Next Service Due:.....
Signed:.....
Dealer's Stamp/CORGI Registration Number

7TH SERVICE

Date of Service:.....
Next Service Due:.....
Signed:.....
Dealer's Stamp/CORGI Registration Number

8TH SERVICE

Date of Service:.....
Next Due:.....
Signed:.....
Dealer's Stamp/CORGI Registration Number

9TH SERVICE

Date of Service:.....
Next Due:.....
Signed:.....
Dealer's Stamp/CORGI Registration Number

10TH SERVICE

Date of Service:.....
Next Service Due:.....
Signed:.....
Dealer's Stamp/CORGI Registration Number

Gazco Limited, Osprey Road, Sowton Industrial Estate, Exeter, Devon, England EX2 7JG
Tel: (01392) 261999 Fax: (01392) 444148 E-mail: info@gazco.com

A member of the Stovax Group