



Riva

Convection Air Circulation Fan Kit

Instructions for Use, Installation and Servicing

For use in:

	AT	BE	DK	FI	FR	DE	GR	IS	IE
Natural Gas	•	•	•	•	•	•	•	•	•
LPG	•	•	•	•	•	•	•	•	•
	IT	LU	NL	NO	PT	ES	SE	GB	
Natural Gas	•	•	•	•	•	•	•	•	
LPG	•	•	•	•	•	•	•	•	

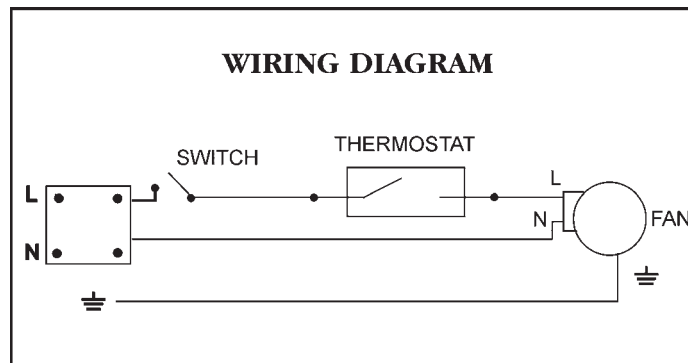
This appliance has been certified for use in countries other than those stated. To install this appliance in these countries, it is essential to obtain the translated instructions and in some cases the appliance will require modification. Contact Gazco for further information.

IMPORTANT

Please read these instructions carefully before installation or use.
Keep them in a safe place for future reference and when servicing the unit.

TECHNICAL SPECIFICATION

VOLTAGE	230V AC
PROTECTION	IP 20
POWER CONSUMPTION	13W 3 AMP FUSE
FREQUENCY	50Hz



PACKING CHECKLIST

No. Description

- 1 Fan Unit
- 1 Thermostat Control Unit
- 8 Fixing Screws
- 1 Instructions
- 1 Plug
- 2 Fan Fixing Brackets

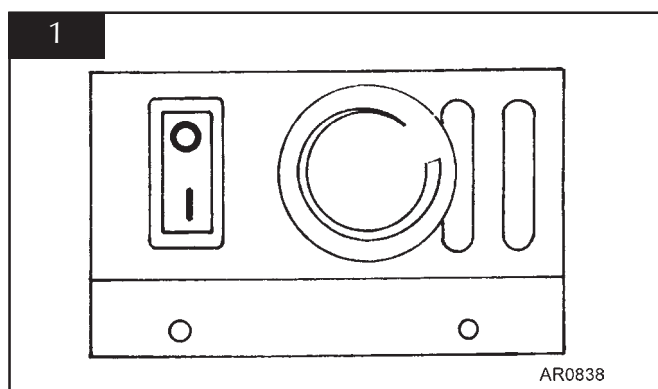
USER INSTRUCTIONS

1. GENERAL

- 1.1 A competent person must carry out installation and servicing.
- 1.2 In all correspondence, please quote the serial number, which can be found on the databadge. This is located on top of the thermostat control unit.
- 1.3 The fan unit can be operated with or without the fire in use. If the fire is not alight only cold air is circulated.

2. FAN OPERATION

- 2.1 Operation of the fan is controlled by the "ON" "OFF" switch and a thermostat.
- 2.2 Turn the "ON" "OFF" switch to 1. See diagram 1.
- 2.3 To set the room temperature rotate the thermostat control knob. Room temperature will increase when the control knob is turned clockwise. See diagram 1. This allows the fan to operate for a longer period of time.

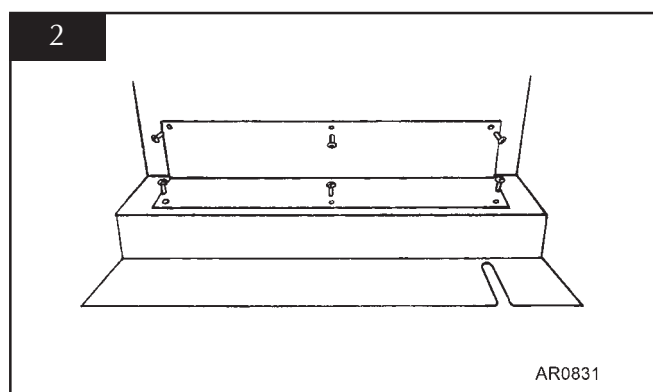


INSTALLATION INSTRUCTIONS

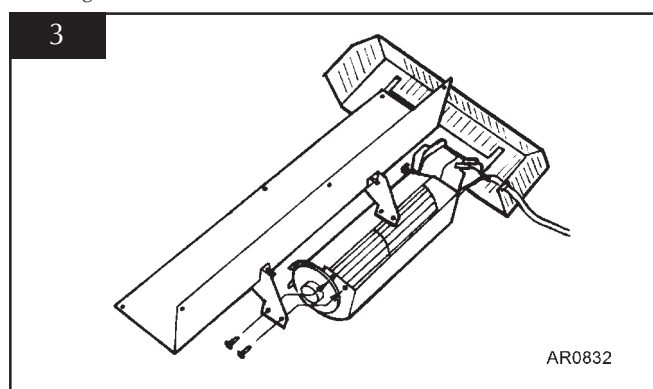
NOTE: FOR ALL RIVAS A POWER SUPPLY MUST BE INSTALLED AT THE SAME TIME AS THE APPLIANCE. ENSURE THE POWER SUPPLY IS COMPATIBLE WITH THE FAN UNIT.

1. INSTALLATION RIVA CF (B VENT)

- 1.1 Refer to the appliance instructions, Servicing Section 2, a) to k).
- 1.2 Remove this fan kit from the packaging.
- 1.3 Remove the access panel in the rear of the fire. See diagram 2.



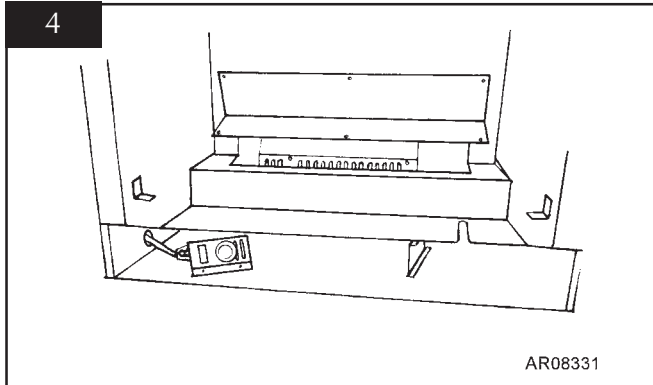
- 1.4 Remove the four screws from the top of the fan guard and rotate the guard to allow access for the bracket fixings.
- 1.5 Attach the fan to the cover plate brackets and attach the fan brackets to the cover plate using the six fixing screws provided with flange pointing inwards on cover plate. See diagram 3.



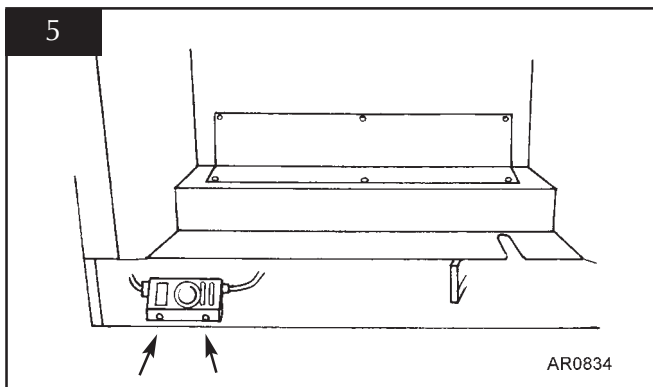
- 1.6 Replace the fan guard. Ensure the cable is not twisted.

INSTALLATION INSTRUCTIONS

- 1.7 Thread the cable and thermostat unit through the aperture. See diagram 4.
- 1.8 Locate the fan assembly complete with the access cover into the aperture and secure with the six previously removed screws. See diagram 4.



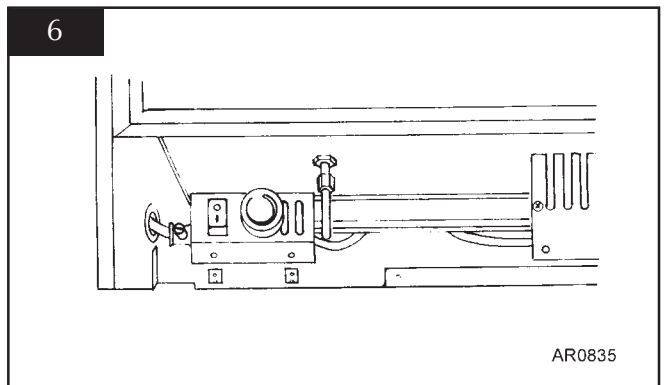
- 1.9 Remove the knockout in the left hand side of the fire box and insert the rubber grommet.
- 1.10 Thread the mains cable through the grommet and secure the thermostat unit to the two brackets. See diagram 5.



- 1.11 Attach the supplied plug to the mains cable and connect to a suitable power supply.
- 1.12 Replace the burner unit, log support, all ceramics and vermiculite. Replace glass frame, decorative frame and reconnect the gas supply. Check for leaks.

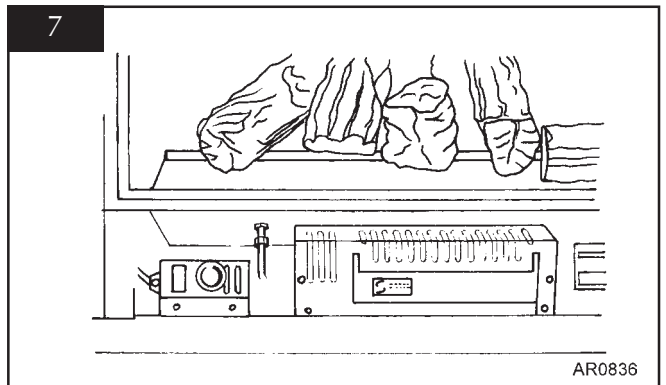
2. INSTALLATION BALANCED FLUE

- 2.1 Remove the decorative frame as described in the appliance instructions.
- 2.2 Remove the knockout in the left hand side of the firebox and insert the rubber grommet.
- 2.3 Thread the mains cable through the grommet and secure the thermostat unit to the two brackets. See diagram 6.



ENSURE THAT THE CABLE BETWEEN THE THERMOSTAT UNIT AND FAN GOES UNDER THE PIPEWORK.

- 2.4 Secure the fan unit to the brackets at the front of the appliance. See diagram 7.

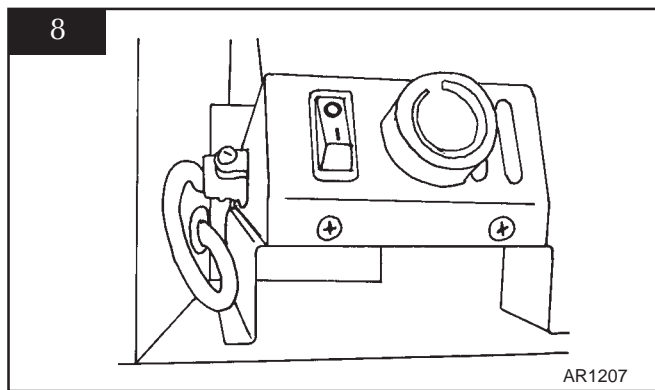


- 2.5 Attach the supplied plug to the mains cable and connect to a suitable power supply.
- 2.6 Replace the decorative frame.

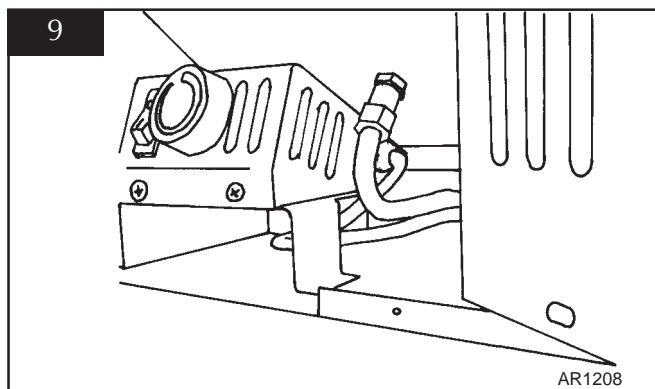
INSTALLATION INSTRUCTIONS

3. INSTALLATION RIVA 53 BALANCED FLUE

- 3.1 Remove the decorative frame as described in the appliance instructions.
- 3.2 Remove the knockout in the left hand side of the firebox and insert the rubber grommet.
- 3.3 Thread the mains cable through the grommet forming a loop inside the firebox and secure the thermostat unit to the receiver housing. See diagram 8.



- 3.4 Carefully guide the mains wire between the fan and the thermostat under the receiver housing, whilst inserting the fan into position. Secure the fan using the two screws provided. See diagram 9.



ENSURE THAT THE CABLE IS FULLY INSERTED UNDER THE THERMOSTAT AND IS NOT TRAPPED BETWEEN ANY METAL WORK ON THE FIRE.

- 3.5 Attach the supplied plug to the mains cable and connect to a suitable power supply.
- 3.6 Replace the decorative frame.

SERVICING INSTRUCTIONS

1. GENERAL

- 1.1 This appliance must be serviced by a competent person.
- 1.2 Always isolate the power supply before commencing servicing.

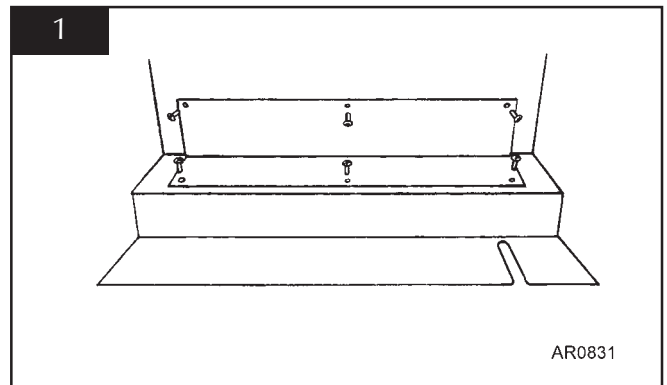
2. FAN REPLACEMENT

RIVA 53 CONVENTIONAL FLUE (B VENT)

- 2.1 Refer to the appliance main instructions, section 2 (Servicing). Follow section 2, a) to k).

HAVE YOU ISOLATED THE POWER SUPPLY?

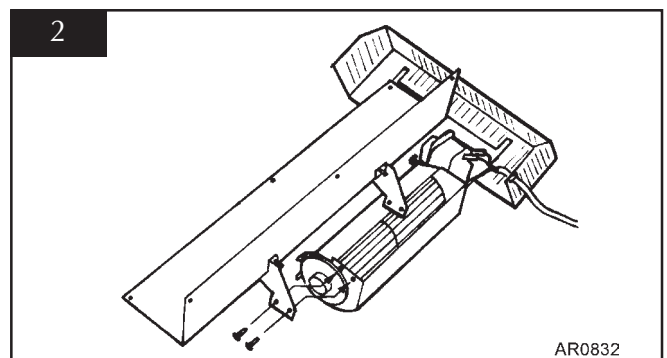
- 2.2 Remove the six screws securing the access cover. See diagram 1.



- 2.3 Remove the two screws securing the thermostat unit. Lift the unit over the fixing brackets and push it towards the rear of the appliance, this will allow the fan to be lifted out of the aperture.
- 2.4 Lift the fan complete with cover plate from the aperture. Remove the four screws securing the fan guard and detach the live, neutral and earth connectors from the fan.

NOTE THE POSITION OF THE EARTH CONNECTION. THIS GOES TO THE BODY OF THE FAN. LIVE AND NEUTRAL CAN BE ATTACHED EITHER WAY ROUND ON THE FAN MOTOR.

- 2.5 Remove the four screws securing the fan body to the cover brackets. See diagram 2. The fan can now be removed.



- 2.6 Replace the fan in reverse order.

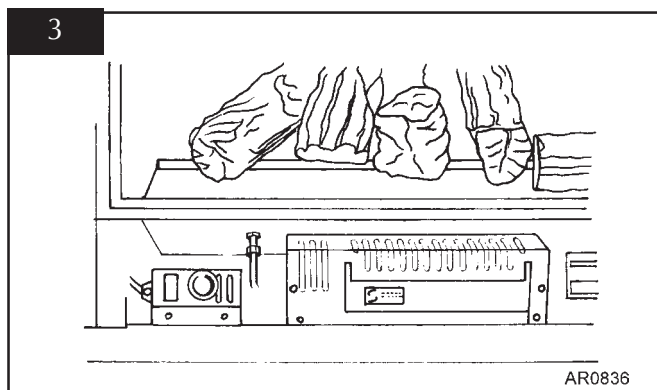
SERVICING

RIVA 53/67/70 BALANCED FLUE (DIRECT VENT)

- 2.7 Refer to the appliance main instructions to remove the decorative frame.

HAVE YOU ISOLATED THE POWER SUPPLY?

- 2.8 Remove the two fixing screws from the lower edge of the fan cover. See diagram 3.



- 2.9 Draw the fan unit forward until all of the mains cable is free from under the appliance pipework.

- 2.10 Remove the four fixing screws from the top of the cover and detach the live, neutral and earth connectors from the fan.

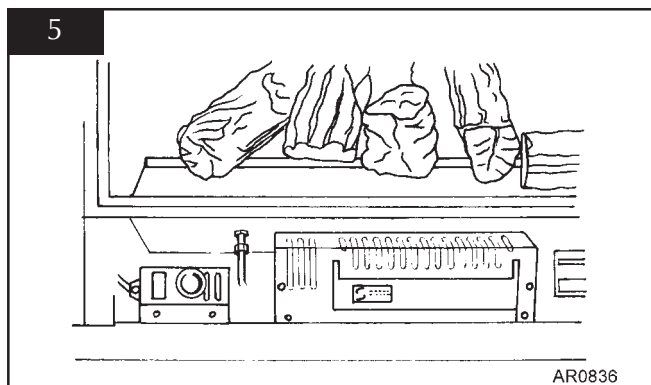
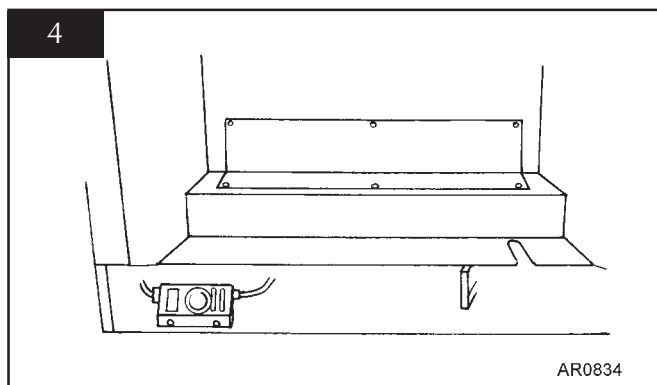
NOTE THE POSITION OF THE EARTH CONNECTION. THIS GOES TO THE BODY OF THE FAN. LIVE AND NEUTRAL CAN BE ATTACHED EITHER WAY ROUND ON THE FAN MOTOR.

- 2.11 Replace the fan in reverse order.

ENSURE THAT THE CABLE BETWEEN THE THERMOSTAT UNIT AND FAN GOES UNDER THE PIPEWORK., OR UNDER THE RECEIVER HOUSING FOR RIVA 53DV

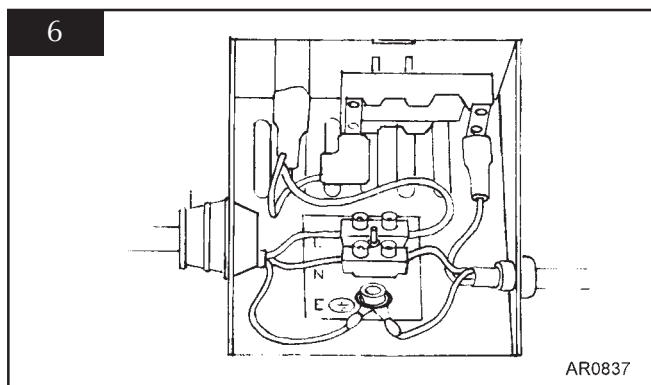
3. THERMOSTAT REPLACEMENT

- 3.1 Remove the decorative frame. Refer to the main appliance instructions.
- 3.2 Remove the two securing screws at the bottom of the thermostat unit. See diagram 4 & 5.



- 3.3 Remove the thermostat control knob off the spindle by pulling forward, remove the two securing screws behind the knob.

- 3.4 Remove the two connectors from the thermostat, note that the connectors are closest to the top of the cover. See diagram 6.



- 3.5 Replace the thermostat and reassemble in the reverse order.

4. SWITCH REPLACEMENT

- 4.1 Remove the decorative frame.
- 4.2 Remove the two securing screws at the bottom of the thermostat unit. See diagram 4 & 5.
- 4.3 Turn the unit over and remove the two connectors from the rear of the switch, note the orientation of the wires.
- 4.4 To remove the switch from the cover, compress the ends of the switch and push through the aperture.
- 4.5 When reassembling, ensure the orientation of switch and connectors. See diagram 6.

SERVICING

5. SHORT SPARES LIST

Component	Code Number	
	67 Conventional Flue (B Vent) 53, 67, 70 Balanced Flue (DV)	53 Balanced Flue 53DV
Fan	EL0217	EL0259
Thermostat	EL0174	EL0174
Switch	EL0034	EL0034
Knob	EL0175	EL0175

Gazco Limited, Osprey Road, Sowton Industrial Estate, Exeter, Devon, England EX2 7JG
Tel: (01392) 261999 Fax: (01392) 444148 E-mail: info@gazco.com

A member of the Stovax Group