



VFC Convector Pebble Effect Fires

With upgradeable control valve

Instructions for Use, Installation and Servicing

For use in GB, IE (Great Britain and Eire)

This appliance has been certified for use in countries other than those stated. To install this appliance in these countries, it is essential to obtain the translated instructions and in some cases the appliance will require modification. Contact Gazco for further information.

IMPORTANT

The chimney must be swept before installation. Do not attempt to burn rubbish on this fire. This fire has a naked flame. A suitable guard should be used for the protection of young children, the elderly or infirm

Please read these instructions carefully and keep them in a safe place. They will be needed when servicing the fire.

The commissioning sheet found in these instructions should be completed by the installer.

CONTENTS

	PAGE
Commissioning Checklist	3
USER INSTRUCTIONS	4
INSTALLATION INSTRUCTIONS	8
Technical Specifications	8
Site Requirements	9
Installation	11
Commissioning	15
SERVICING INSTRUCTIONS	16
Servicing Requirements	16
Fault Finding	17
How to replace parts	18
Basic spare parts list	21
Service Records	22

APPLIANCE COMMISSIONING CHECKLIST

IMPORTANT NOTICE

Explain the operation of the appliance to the end user, hand the completed instructions to them for safe keeping, as the information will be required when making any guaranteed claims.

FLUE CHECK	PASS	FAIL
1. Flue is correct for appliance		
2. Flue flow test		
3. Spillage test		
GAS CHECK		
1. Gas soundness & let by test		
2. Standing pressure test	mb	
3. Appliance working pressure (on High Setting) NB All other gas appliances must be operating on full	mb	
4. Gas rate	m ³ /h	
5. Does ventilation meet appliance requirements		
6. Have controls been upgraded (Upgradeable models only)	8455 Standard	YES NO

DEALER AND INSTALLER INFORMATION

Dealer.....	Installation Company.....
Contact No.....	Engineer.....
Date of Purchase.....	Contact No.....
Model No.....	Corgi Reg No.....
Serial No.....	Date of Installation.....
Gas Type.....	

This product is guaranteed for 2 years from the date of installation, as set out in the terms and conditions of sale between Gazco and your local Gazco dealer. **This guarantee will be invalid, to the extent permitted by law, if the above Appliance Commissioning Checklist is not fully completed by the installer and available for inspection by a Gazco engineer.** The guarantee will only be valid during the second year, to the extent permitted by law, if the annual service recommended in the Instructions for Use has been completed by a Corgi registered engineer, and a copy of the service visit report is available for inspection by a Gazco engineer.

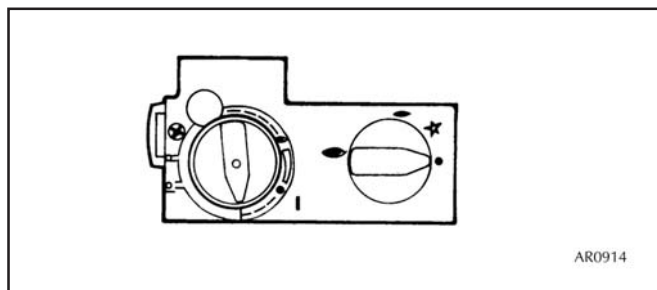
USER INSTRUCTIONS

1. GENERAL

- 1.1 Installation and servicing must only be carried out by a competent person.
- 1.2 In all correspondence, please quote the appliance type and serial number, which can be found on the databadge adjacent to the control knob.
- 1.3 Ensure that curtains are not positioned above the fire, and that there is a 300mm minimum clearance between the sides of the fire and any curtains.
- 1.4 This product is guaranteed for 2 years from the date of installation, as set out in the terms and conditions of sale between Gazco and your local Gazco dealer. Please consult with your local Gazco dealer if you have any questions. In all correspondence always quote the model No and serial No.

2. LIGHTING THE FIRE

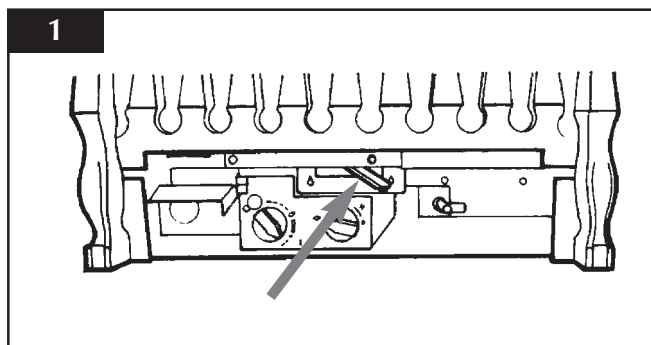
- 2.1 Locate the control valve on the appliance. There are two control knobs on the valve, the right hand knob controls the pilot ignition and the left hand knob controls the main burner.
- 2.2 If your appliance has already been upgraded to battery remote control, please refer to the instructions provided with the upgrade to operate the remote control. The following instructions will work for either situation.



- 2.3 Ensure that the left-hand control knob is pointing to off (●).
- 2.4 Ensure that the right hand control knob is pointing to off (●).
- 2.5 Press in the right hand control knob and rotate it anti-clockwise until a click is heard (keep pressing in) and the knob is pointing to pilot (☞). The pilot should now light. If the pilot has not lit, repeat the procedure until it does.
- 2.6 Keep the control knob pressed for 10 seconds and then release it, the pilot should stay alight. If the pilot goes out, repeat the procedures until it does.
- 2.7 If the pilot will not light after repeated attempts, contact the retailer or installer from whom the appliance was purchased.
- 2.8 Turn the right hand control to point to main burner (☞). The appliance can now be controlled using the left hand control knob.

- 2.9 Turn the left hand control knob to point to low fire (☞), the main burner will light on low. The burner can now be controlled between low and high settings. Turn the control knob anticlockwise increase the flame height and clockwise to decrease the flame height.
- 2.10 The flames can be varied from blue to a yellow effect by moving the aeration lever to the desired position. See diagram 1.

THE YELLOW FLAMES WILL APPEAR WHEN THE FIRE HAS GAINED SUFFICIENT HEAT - TYPICALLY 10 TO 20 MINUTES.



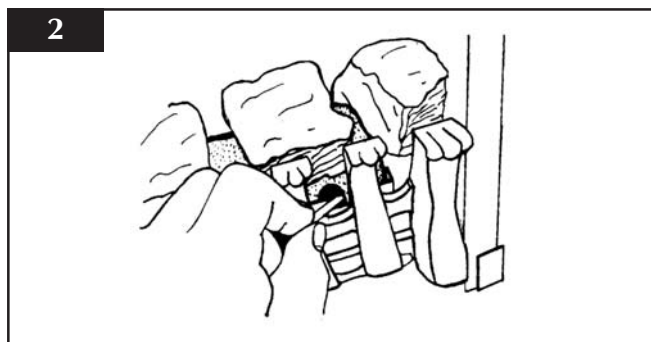
3. TURNING THE FIRE OFF

- 3.1 To turn the fire off, locate the control valve, turn the left-hand control knob until it points to off (●). The main burner will go out leaving the pilot burning.
- 3.2 To turn the pilot off, locate the control valve, turn the right hand control knob until it points to off (●), the pilot will go out.

4. LIGHTING THE FIRE WITH A MATCH

If the pilot does not ignite as described in Section 2.

- 4.1 Press in the right hand control knob and rotate it anti-clockwise until a click is heard (keep pressing in) and the knob is pointing to pilot (☞), apply a lighted match to the pilot hood, see diagram 2.



USER INSTRUCTIONS

5. UPGRADING YOUR FIRE

- 5.1 Your fire is fitted with a control valve that can easily be upgraded to battery powered remote control. This upgrade can be fitted by anyone capable of simple DIY jobs and requires no special training. This upgrade can be obtained through your local Gazco stockist.
- 5.2 **STANDARD REMOTE CONTROL** This remote control can control the fire after the pilot has been lit. It can turn the main burner on and regulate it from low through to high and back again. It can turn the main burner off leaving the pilot burning **GAZCO PART NUMBER 8455.**
- 5.3 **IMPORTANT** - there is a thermostatic version of the upgrade but this is **NOT SUITABLE** for open flame fires like the VFC.

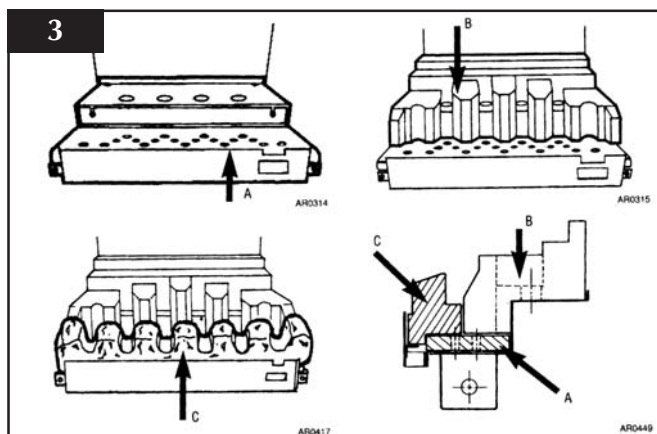
6. CLEANING THE FIRE

- 6.1 Remove the ceramic pebbles and place on a dry, clean surface. Remove the front coal ceramic, please handle with care.
- 6.2 The ceramic parts should not require cleaning. Do not use a vacuum cleaner or brush to clean these parts, any large pieces of debris may be removed by hand.
- 6.3 Ensure any debris is removed from the burner ports.
- 6.4 Replace the ceramics by referring to Section 7.

7. ARRANGEMENT OF FUEL BED COMPONENTS

NOTE: CERAMIC PARTS ARE FRAGILE. ONLY USE THE SPECIAL CERAMIC PEBBLES SUPPLIED BY GAZCO - **DO NOT USE REAL PEBBLES.**

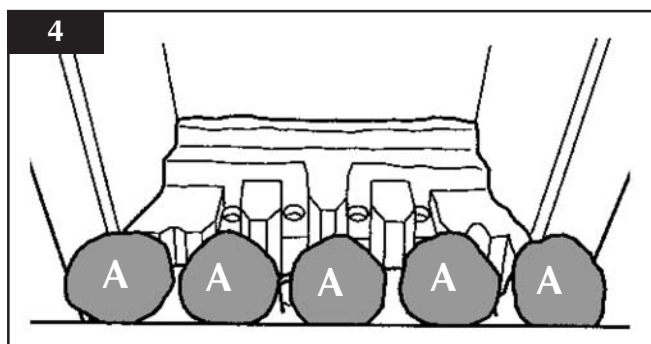
- 7.1 Position the flame baffle on the rear of the tray. See diagram 3 arrow B.
- 7.2 Position the front coal, make sure it sits flat onto the burner skin. See diagram 3 arrow C.



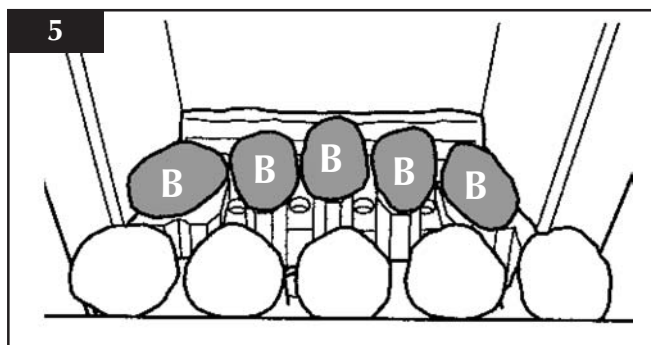
- 7.3 The pebbles supplied come in 2 colours; these can be placed randomly to give the most pleasing fuel layout. Place the pebbles following the appropriate diagrams and instructions.
- 7.6 Positioning of the pebbles affects the flame picture sooting.
- 7.7 Place the pebbles so that there are gaps for flames to pass through.
- 7.8 Do not use more pebbles than those shown.

16" Pebble Convector

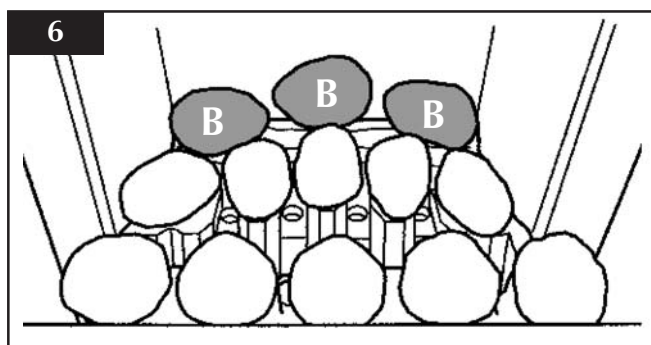
- 7.9 Place 5 medium round pebbles (marked A) on top of the front coal and resting against the fuel retainer. See diagram 4.



- 7.10 Place 5 oval pebbles (marked B) on top of the flame baffle. See diagram 5.

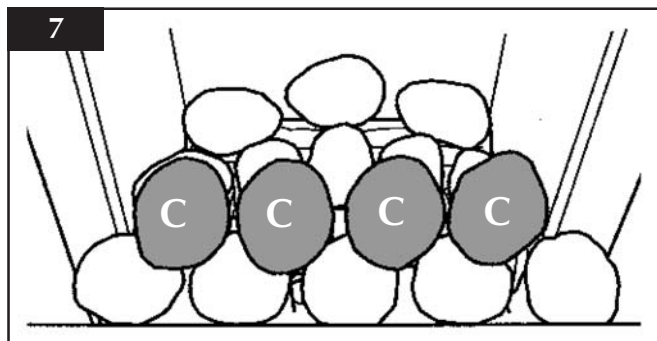


- 7.11 Place 3 oval pebbles (marked B) at the back of the flame baffle as shown in diagram 6.

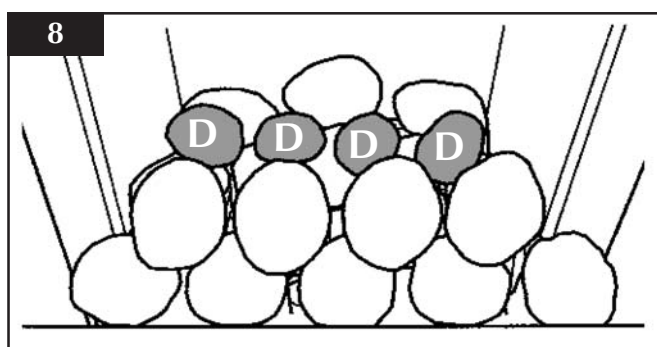


USER INSTRUCTIONS

7.12 Place 4 large round pebbles (marked C) resting on the first two rows as shown in diagram 7.

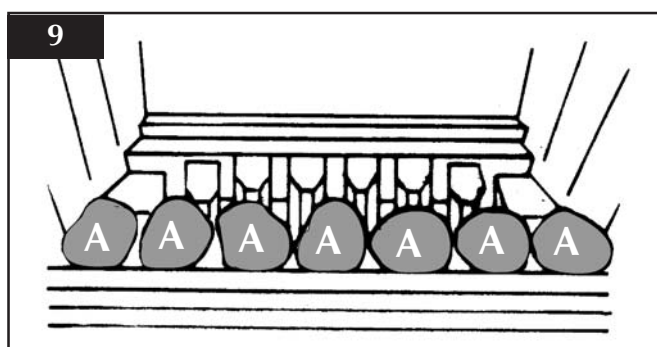


7.13 Place the 4 small round pebbles (marked D) in the positions shown in diagram 8.

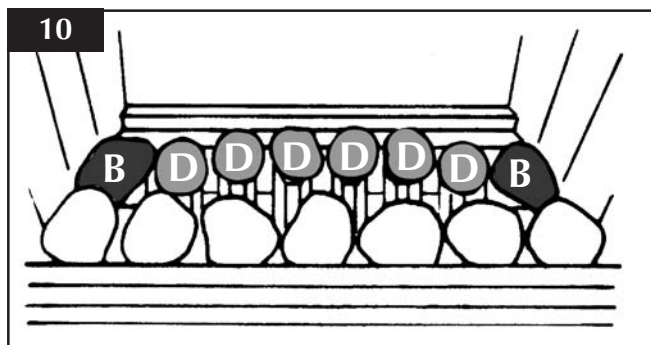


22" Pebble Convector

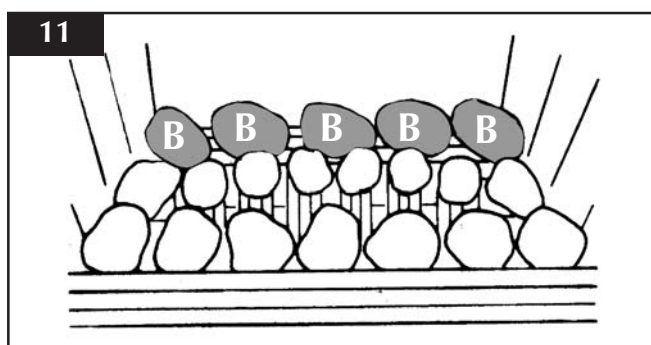
7.14 Place 7 medium round pebbles (marked A) on top of the front coal and resting against the fuel retainer. See diagram 9.



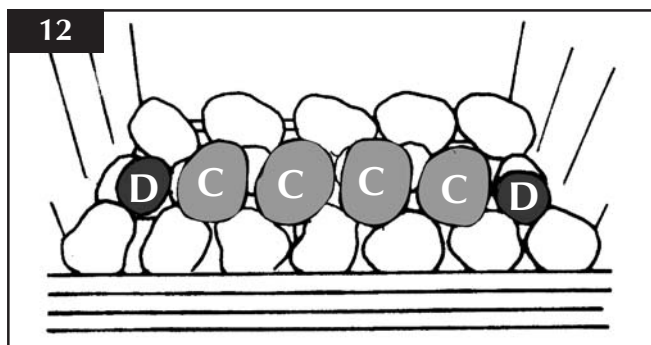
7.15 Place 6 small round pebbles (marked D) on top of the flame baffle so that they rest on the fingers. Place 1 oval pebble (marked B) at each end of the flame baffle. See diagram 10.



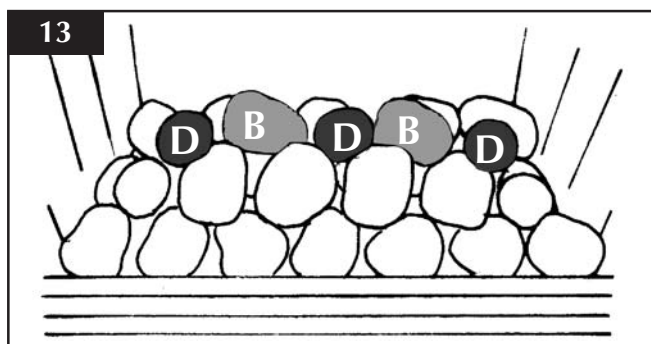
7.16 Place 5 oval pebbles (marked B) at the back of the flame baffle as shown in diagram 11.



7.17 Place 4 large round pebbles (marked C) so that they rest on the first 2 rows. Place a small round pebble (marked D) at each end so that they bridge the remaining gap between the first 2 rows. See diagram 12.



7.18 Place 2 oval pebbles (marked B) and 3 small round pebbles (marked D) so that they alternate as shown in diagram 13.



USER INSTRUCTIONS

8. OXYGEN DEPLETION SENSOR

The appliance is fitted with an oxygen sensitive pilot system will act to cut off the gas supply to the fire should the oxygen in the room fall below its normal level. If the fire is turned off by this device, it usually indicates that there is a problem with the flue system, and this should be inspected by a qualified engineer.

Do not attempt to use the fire until an engineer says it is safe to do so.

This device is not a substitute for an independently mounted carbon monoxide detector.

9. THE FLAME FAILURE DEVICE

This is a safety feature incorporated in all GAZCO fires which automatically switches off the gas supply if the pilot light goes out and fails to heat the thermocouple.

10. 'RUNNING IN'

The surface coating on the coals used in your GAZCO fire will 'burn off' during the first few hours of use, producing a harmless and temporary odour. This will disappear after a short period of use. If the odour persists, ask your installer for advice.

11. SERVICING

This fire must be serviced every 12 months by a qualified Gas Engineer. In all correspondence, always quote the appliance type and serial number, which may be found on the databadge, adjacent to the control knob.

12. VENTILATION

Any purpose provided ventilation should be checked periodically to ensure that it is free from obstruction.

13. INSTALLATION DETAILS

To assist in any future correspondence, your installer should have completed this commissioning sheet, this records the essential installation details of the appliance. In all correspondence always quote the model No and serial No.

TECHNICAL SPECIFICATION

THESE INSTRUCTIONS COVER THE FOLLOWING MODELS

8422UC P8422UC
 8427UC P8427UC
 8430PBUC P8430PBUC

Model	Gas CAT.	Gas Type	Working Pressure	Aeration	Injector	Gas Rate m ³ /h	Input kW (Gross)		Country
							High	Max Flue Temp.	
RD	I ₂ H	Natural(G20)	20mbar	9N	400	•652	6.85	160°C	GB,IE
	I ₃ +	Butane(G30)	29mbar	9L	180	•190	6.65		GB,IE
		Propane(G31)	37mbar			•250			
16	I ₂ H	Natural(G20)	20mbar	9N	600	•900	9.45	190°C	GB,IE
	I ₃ +	Butane(G30)	29mbar	0L	260	•272	9.50		GB,IE
		Propane(G31)	37mbar			•358			
22	I ₂ H	Natural(G20)	20mbar	4N	850	1•172	12.30	200°C	GB,IE
	I ₃ +	Butane(G30)	29mbar	PL	360	•363	12.70		GB,IE
		Propane(G31)	37mbar			•478			

MINIMUM FLUE SIZE 178mm (7")
 INLET CONNECTION SIZE 8mm
 MIN FLUE SPECIFICATION T260/N2/0/D/1

INSTALLATION INSTRUCTIONS

SITE REQUIREMENTS

1. FLUE AND CHIMNEY REQUIREMENTS

- 1.1 The chimney or flue system must comply with the rules in force, and must be a minimum of 178mm (7") in diameter. Conventional brick flues should be at least 230mm x 230mm (9" x 9").
- 1.2 The minimum effective height of the flue or chimney must be 3 m (10ft).
- 1.3 The chimney or flue must be free from any obstruction. Any damper plates should be removed or secured in the fully open position, and no restrictor plates should be fitted.
- 1.4 The chimney should be swept immediately prior to the installation of the appliance - unless it can be seen to be clean and unobstructed throughout its entire length.
- 1.5 Ensure that there is a smooth taper transition from the fireplace opening into the chimney or flue.
- 1.6 The flue pull should be checked prior to installation of the appliance. Apply a smoke pellet to the flue or chimney opening and ensure that the smoke is drawn into the opening. If there is not a definite flow, pre-heat the chimney for a few minutes and re-test the flow.

IF THERE IS STILL NO DEFINITE FLOW, THE CHIMNEY MAY REQUIRE ATTENTION- SEEK EXPERT ADVICE.

2. INSTALLATION OF THE GAS SUPPLY

- 2.1 Before installation, ensure that the local distribution conditions (identification of the type of gas and pressure) and the adjustment of the appliance are compatible.
- 2.2 Ensure that the gas supply is capable of delivering the required amount of gas, and is in accordance with the rules in force.
- 2.3 Soft copper tubing and soft soldered joints can be used but must not be closer than 50mm (2") to the underside of the firebox.
- 2.4 A means of isolating the gas supply to the appliance must be provided independent of any appliance control.
- 2.5 All supply gas pipes must be purged of any debris that may have entered, prior to connection to the appliance.

3. VENTILATION

It is important to ensure that any national ventilation requirements are taken into account during the installation of this appliance.

- 3.1 Ventilation requirements differ according to the model. Minimum permanent effective free air requirements - if this is the sole appliance in the room - are as follows:

Model No.	Description	Min. vent cm ²
8422, P8422RD	16" Pebble Convector	NONE See notes a & b
8427, P8427	16" Pebble Convector	15
8430PBUC P8430PBUC	22" Pebble Convector	30 See note b.
Note a:	Gas input is less than 7kW and flue products clearance under 70 m ³ /hr. Some countries call for 100cm ² ventilation. Check local standards.	
Note b:	It is essential to check for flue clearance (see diagram 21) If spillage is detected, it may be necessary to provide additional ventilation.	

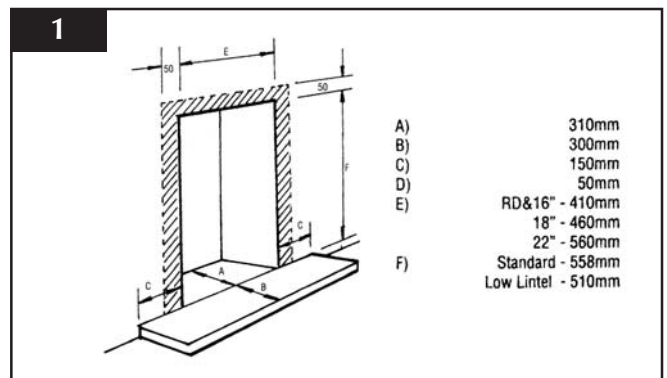
- 3.2 The above table is in addition to any openable window, and although it must communicate with the outside air, wherever possible, it can communicate with an adjacent room provided that the space has a similar vent to the outside.

AIR VENTS MUST NOT BE RESTRICTED.

4. APPLIANCE LOCATION

THIS APPLIANCE MUST ONLY BE FITTED WITH A GAZCO INFINITI, EVOLUTION, PROGRESS OR DESIGNIO FRONT. FULL INSTRUCTIONS FOR FITTING THESE FRONTS IS INCLUDED WITH THE FRONT

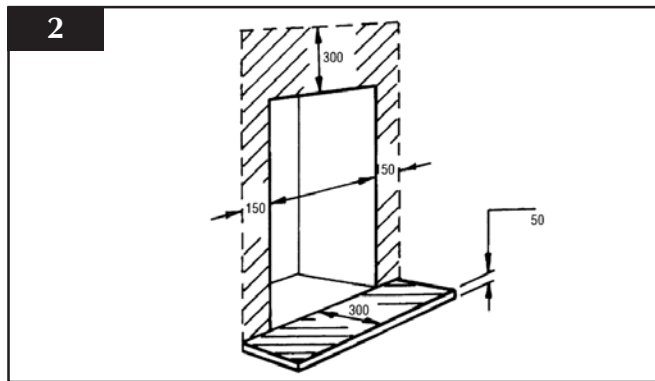
- 4.1 This appliance must stand on a non-combustible hearth that is at least 12mm thick.
- 4.2 It must be fitted into a non-combustible opening.
- 4.3 These appliances must be hearth mounted into a fireplace opening confirming to National Standards. The minimum dimensions shall be as shown in diagram 1 for VFC Convectors fires. (The shaded area must be flat and square).



INSTALLATION INSTRUCTIONS

SITE REQUIREMENTS

- 4.4 The appliance must be firmly fixed to the hearth. Fasteners are provided for this purpose.
- 4.5 Ensure that no naked flame or incandescent part of the fire bed projects beyond the vertical plane of the fireplace opening.
- 4.6 The appliance must not be installed in any room that contains a bath or shower.
- 4.7 Ensure clearances to combustible materials - see diagram 2.



INSTALLATION INSTRUCTIONS

INSTALLATION

IMPORTANT: ENSURE THAT THE APPLIANCE IS CORRECTLY ADJUSTED FOR THE GAS TYPE AND CATEGORY APPLICABLE IN THE COUNTRY OF USE. REFER TO DATA BADGE AND TECHNICAL SPECIFICATIONS AT THE FRONT OF THE BOOKLET. FOR DETAILS OF CHANGING BETWEEN GAS TYPES, REFER TO SECTION 9.

1. CONTROL UPGRADE

- 1.1 This fire is fitted with a control valve that can be easily upgraded to battery powered remote control. This upgrade can be fitted by anyone capable of simple DIY jobs and requires no special training. This upgrade can be obtained through your local Gazco stockist.
- 1.2 **STANDARD REMOTE CONTROL** This remote control can control the fire after the pilot has been lit. It can turn the main burner on and regulate it from low through to high and back again. It can turn the main burner off leaving the pilot burning. GAZCO PART NUMBER 8455.
- 1.3 **IMPORTANT** - there is a thermostatic version of the upgrade but this is **NOT SUITABLE** for open flame fires like the Pebble Convector.

2. SAFETY PRECAUTIONS

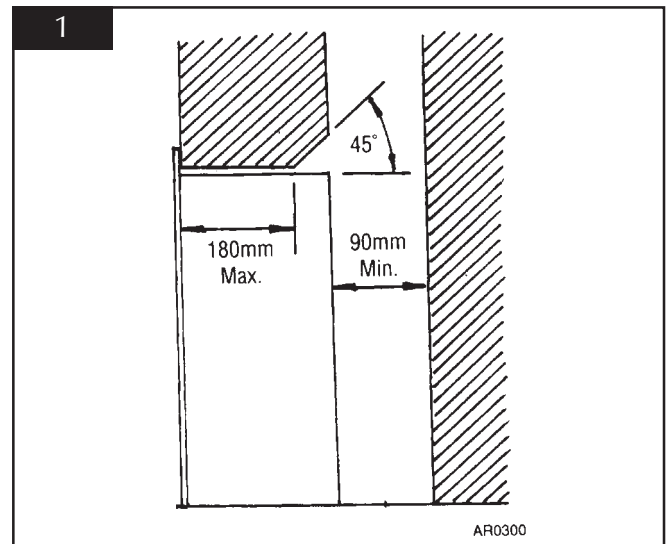
- 2.1 This appliance must be installed in accordance with the rules in force, and used only in a sufficiently ventilated space. Place read all instructions before installation and use of this appliance.
- 2.2 These instructions must be left intact with the user.
- 2.3 Do not attempt to burn rubbish on this appliance.
- 2.4 In your own interest, and those of safety, this appliance must be installed by a competent person in accordance with local and national codes of practice. Failure to install the appliance correctly could lead to prosecution.
- 2.5 Keep all plastic bags away from young children.

3. UNPACKING

- 3.1 Remove the appliance from its packaging, and check that it is complete and undamaged.
- 3.2 Put the loose ceramic parts to one side so that they are not damaged during installation.

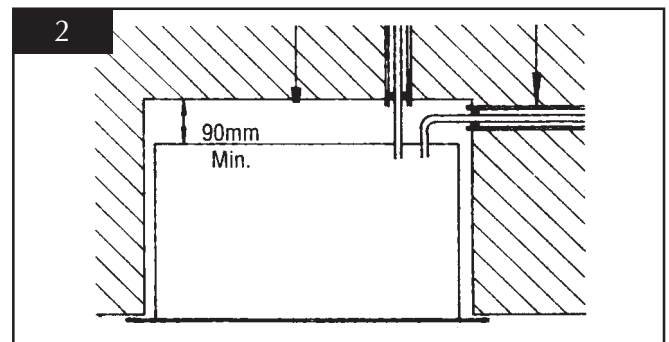
4. INSTALLATION

- 4.1 Make any necessary alterations to fireplace opening. Ensure that the lintel does not obstruct the flue outlet into the flue, and that there is a clear space for debris of at least 90mm. See diagram 1.



- 4.2 Gas pipe entry must be through one of the holes in the rear panel. See diagram 2.

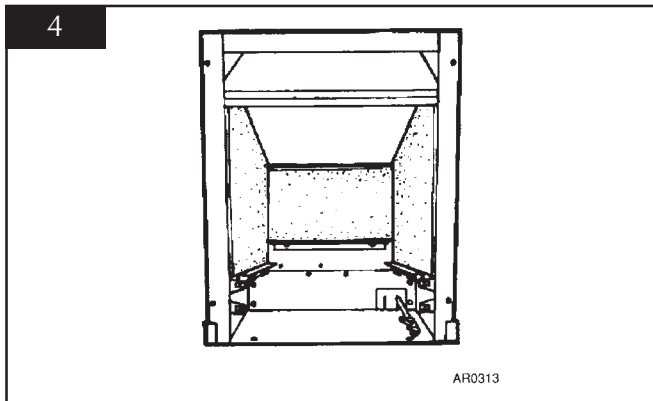
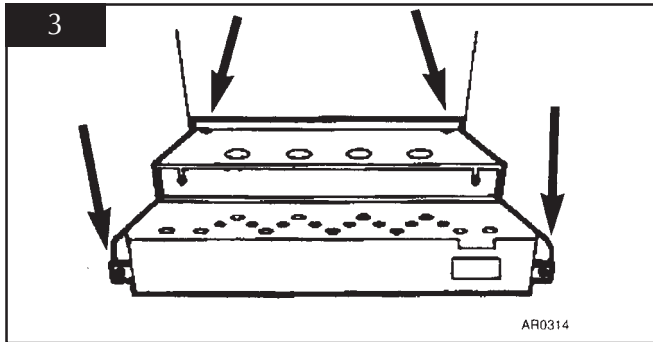
Note: Gas pipes passing through masonry must be protected.



INSTALLATION INSTRUCTIONS

INSTALLATION

4.3 Remove the fire assembly (see diagram 3), and offer the convector box into the opening, checking that it fits squarely. Mark the fixing holes and the gas pipe entry positions. See diagram 4.



4.4 Fit the gas pipe into position, ready for passing into the convector box, ensuring enough remains to connect to the fire. For easier installation, the inspection panel in the rear of the convection box can be removed.

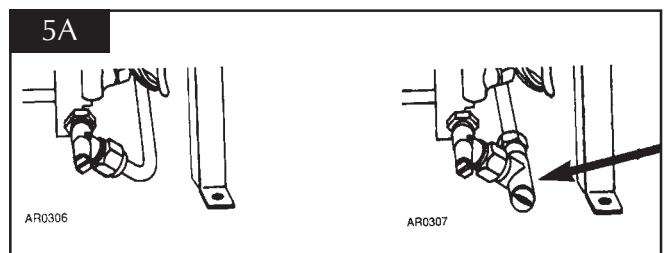
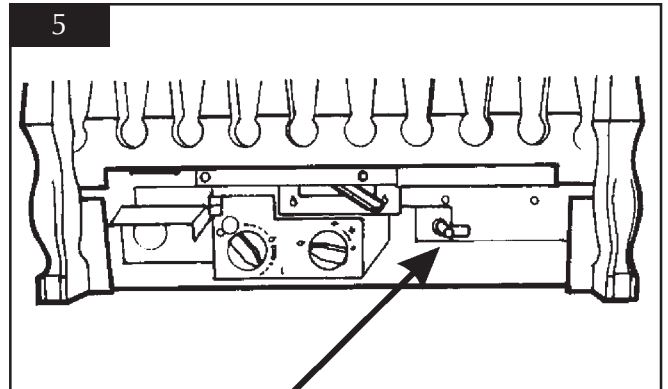
4.5 Carefully fit the convector box, feeding the piping through into the box. Secure the box to the wall, through the flange - ensuring that the box is square to the opening. Any undulations or gaps between the convector box and the wall should be filled with a non-combustible material. Do not use silicone as it makes future removal almost impossible.

4.5 Refit the fire assembly and front air guide back into the convector box. See diagram 3.

4.6 'HAVE YOU PURGED THE GAS SUPPLY PIPES'. This is essential to expel any foreign matter that might get blown into the valve assembly causing blockages.

4.7 Connect the 8mm gas supply pipe to the fire. See diagram 5.

4.8 If the isolation tap is to be fitted under the fire, the GAZCO GC0060 provides a neat and easy solution. See diagram 5A.



4.9 Check the gas connections to the fire are sound. Light the fire and check all joints on the appliance.

4.10 Check the appliance working pressure is correct. See databadge.

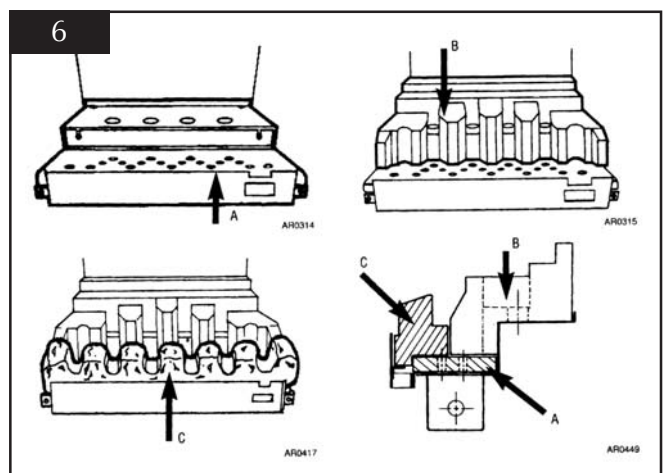
5. FUELBED ARRANGEMENT

NOTE: CERAMIC PARTS ARE FRAGILE. ONLY USE THE SPECIAL CERAMIC PEBBLES SUPPLIED BY GAZCO - DO NOT USE REAL PEBBLES.

ALL FIRES

5.1 Position the flame baffle on the rear of the tray. See diagram 6 arrow B.

5.2 Position the front coal, make sure it sits flat onto the burner skin. See diagram 6 arrow C.



INSTALLATION INSTRUCTIONS

INSTALLATION

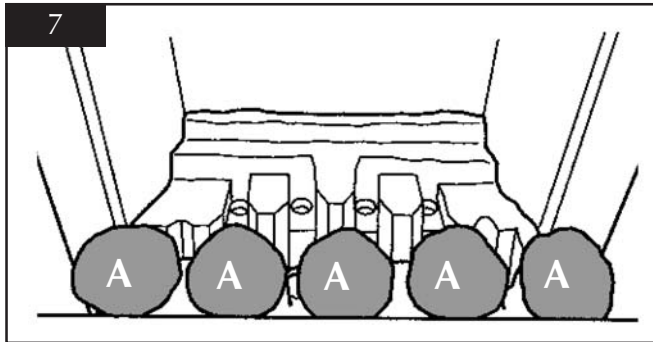
5.3 Positioning of the pebbles affects the flame picture and sooting.

5.4 Place the pebbles so that there are gaps for flames to pass through.

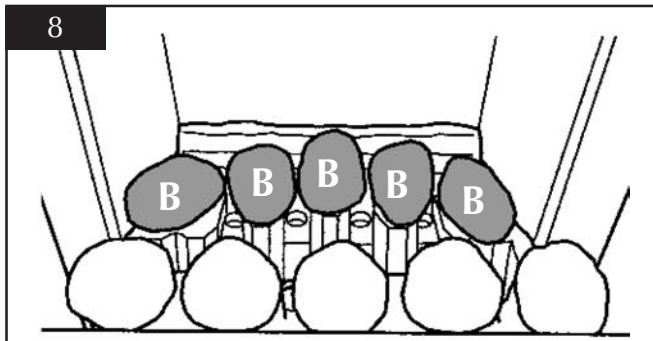
5.5 Do not use more pebbles than those shown.

16" Pebble Convector

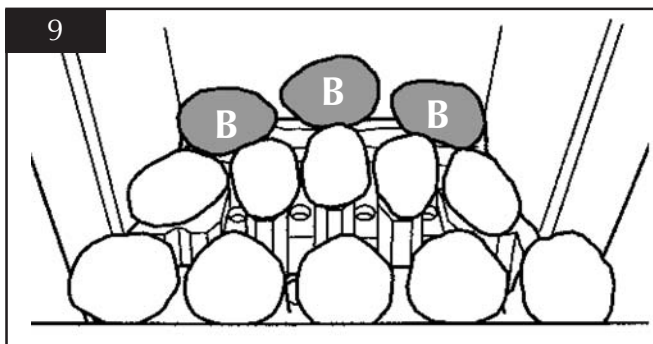
5.6 Place 5 medium round pebbles (marked A) on top of the front coal and resting against the fuel retainer. See diagram 7.



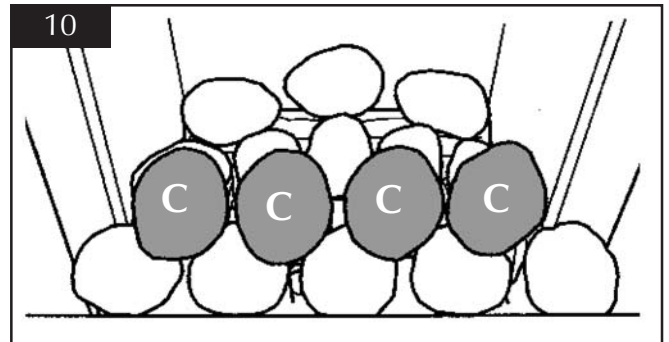
5.7 Place 5 oval pebbles (marked B) on top of the flame baffle. See diagram 8.



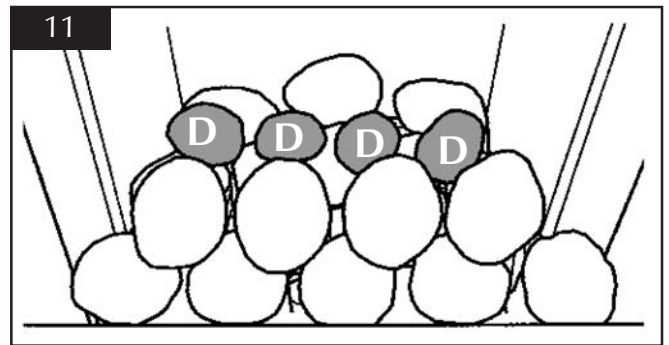
5.8 Place 3 oval pebbles (marked B) at the back of the flame baffle as shown in diagram 9.



5.9 Place 4 large round pebbles (marked C) resting on the first two rows as shown in diagram 10.



5.10 Place the 4 small round pebbles (marked D) in the positions shown in diagram 11.

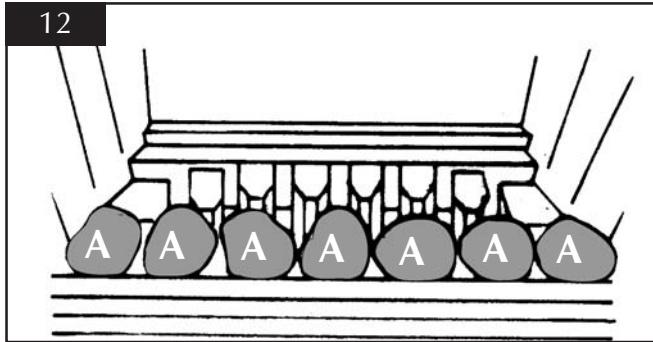


INSTALLATION INSTRUCTIONS

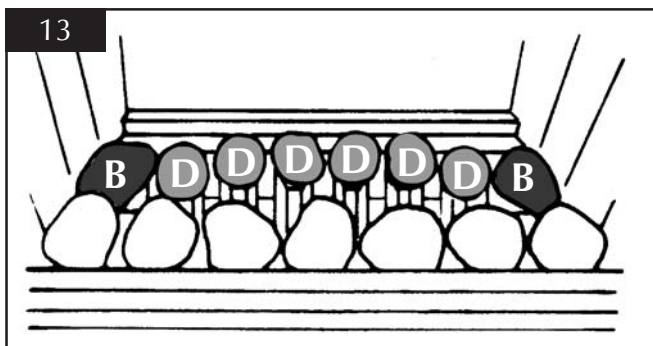
INSTALLATION

22" Pebble Convector

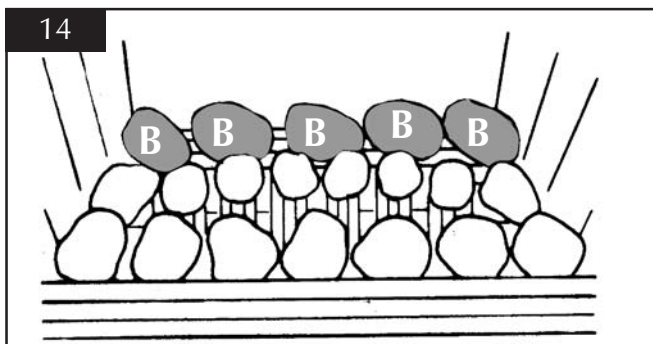
5.11 Place 7 medium round pebbles (marked A) on top of the front coal and resting against the fuel retainer. See diagram 12.



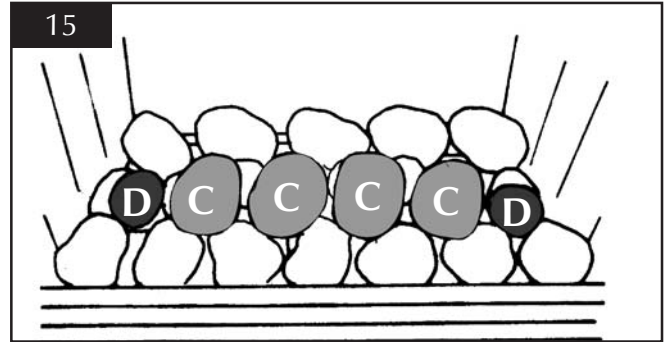
5.12 Place 6 small round pebbles (marked D) on top of the flame baffle so that they rest on the fingers. Place 1 oval pebble (marked B) at each end of the flame baffle. See diagram 13.



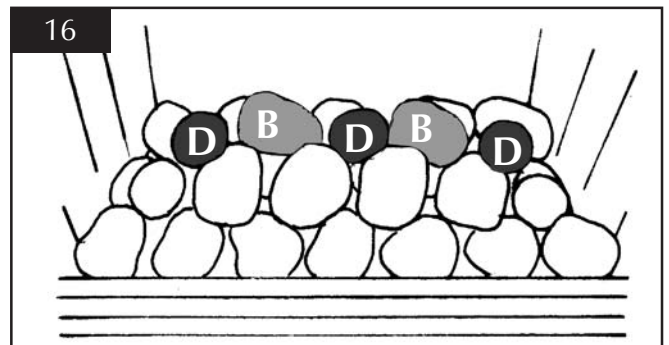
5.13 Place 5 oval pebbles (marked B) at the back of the flame baffle as shown in diagram 14.



5.14 Place 4 large round pebbles (marked C) so that they rest on the first 2 rows. Place a small round pebble (marked D) at each end so that they bridge the remaining gap between the first 2 rows. See diagram 15.



5.15 Place 2 oval pebbles (marked B) and 3 small round pebbles (marked D) so that they alternate as shown in diagram 16.



6. LIGHTING

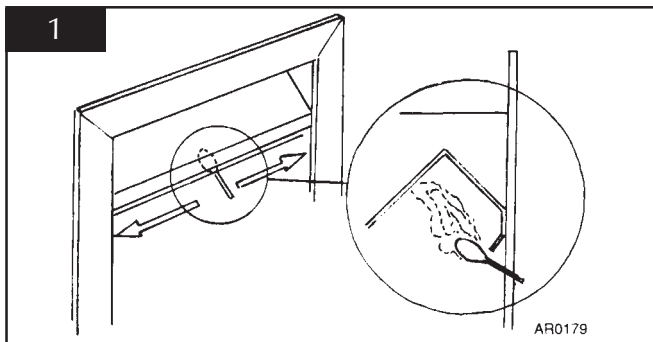
6.1 Full instructions are given in the Users Section.

INSTALLATION INSTRUCTIONS

COMMISSIONING

1.COMMISSIONING

24.1 Close all windows and doors to the room, check all controls, and allow fire to burn on maximum for 5 minutes. Test for spillage of flue products using a smoke match. For standard VFC fires, pass the lighted smoke match along the top front edge just inside the opening or canopy. For the RD VFC only, hold the lighted smoke match centrally inside the flue opening. See diagram 1.



24.2 If the fire spills, run for a further 10 minutes and re-check. If there is still spillage, disconnect the fire and seek expert advice.

24.3 If there are extractor fans in the room of adjacent rooms, the spillage test must be repeated with the extractors running on maximum.

24.4 For RD VFC: If spillage is detected and no air vent is fitted in the room, re-check for spillage with a window slightly open. If this cures the spillage, it will be necessary to fit a vent.

IF SPILLAGE PERSISTS, DISCONNECT THE APPLIANCE AND SEEK EXPERT ADVICE.

For future reference record the installation details on the commissioning sheet on page 3 of these instructions.

INSTALLATION INSTRUCTIONS

SERVICING

This appliance must be serviced at least one a year by a competent person.

1. SERVICING REQUIREMENTS

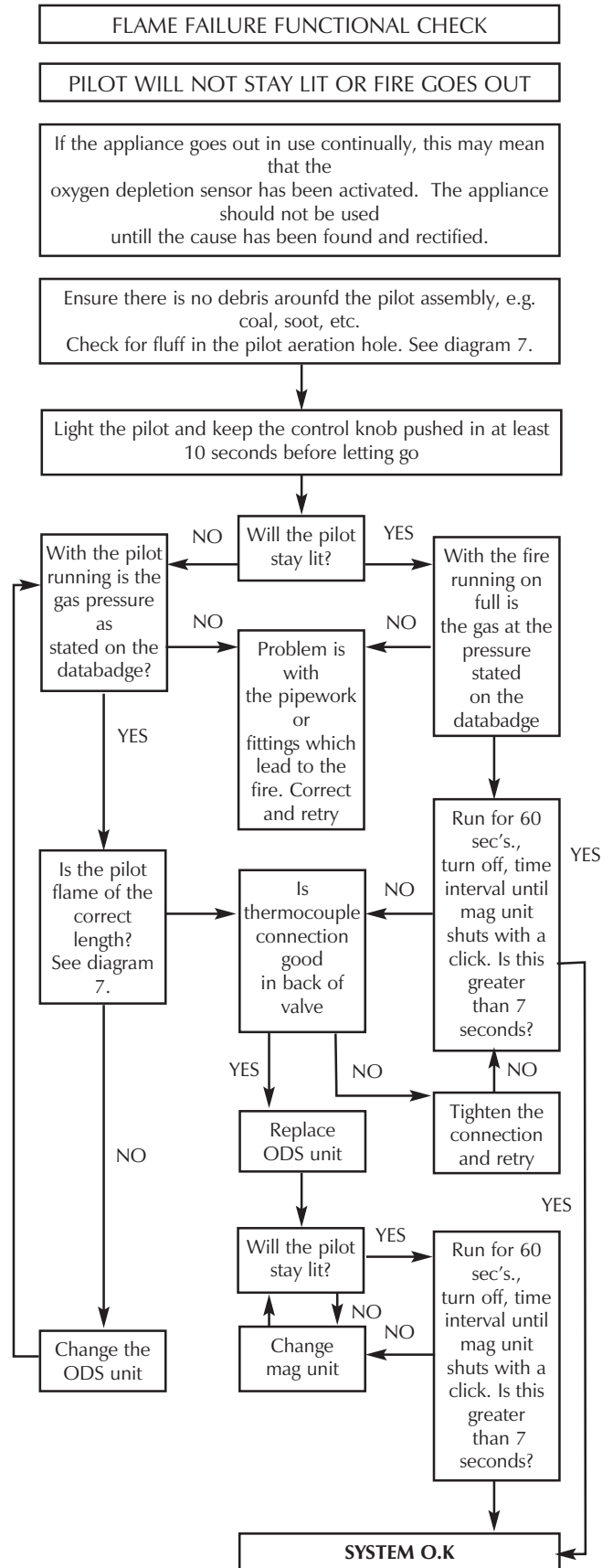
- 1.1 As part of the annual service, the space behind the convector must be inspected for any debris, which may have fallen down the chimney.
- 1.2 Remove the gas fire from the convector as detailed in section 4. Remove the convector box from the wall, see section 4.5
- 1.3 Inspect the space behind the convector for debris and the condition of the chimney, the flue flow test should be carried out now. Remove any debris and carry out any necessary remedial work. The following part can be serviced without removing the fire.

2. FAULT FINDING

This is for use only by qualified Installers and Service Engineers.

Note: Many problems can be attributed to poor pilot flame length caused by blocked jets as the orifice is very small. If the flame length is much shorter than that shown in the diagram, the pilot may have to be changed. See diagram 7, page 17.

It is always worth using the nozzle of a vacuum cleaner over the end of the pilot to ensure that it has no debris within it. In addition, many ignition problems are caused by incorrect spark gap, ensure it is set as in diagram 7, arrow A page 17.

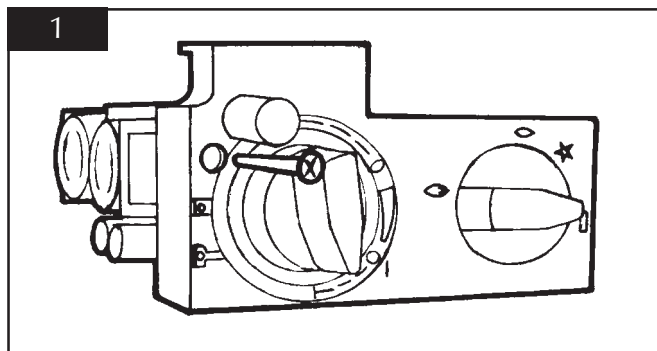


INSTALLATION INSTRUCTIONS

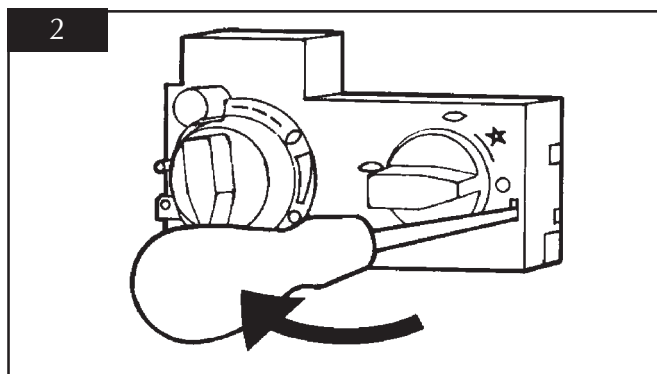
REPLACING PARTS

3. IGNITION LEAD

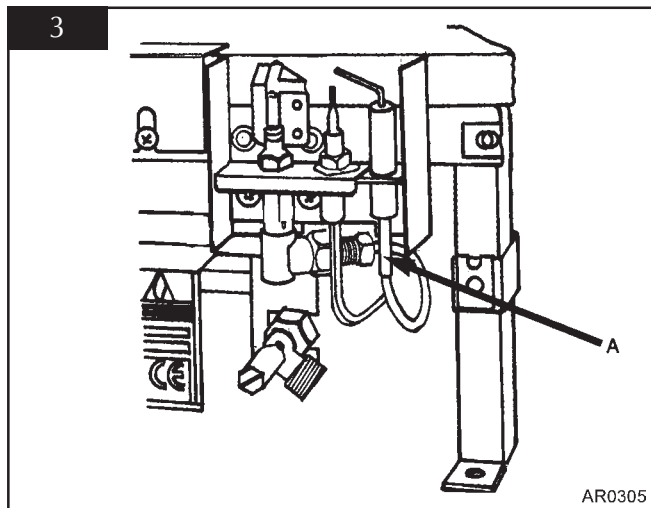
- 3.1 Turn off the gas supply at the isolation device.
- 3.2 Remove the fire front - see separate instructions supplied with the front.
- 3.3 Undo the single screw that secures the left hand side of the control cover. See diagram 1.



- 3.4 To release the right hand side of the control cover insert the narrow blade screwdriver into the slot shown in diagram 2, lever it gently and pull from the right hand side at the same time. The cover will now come off, there is a small cylindrical metal spacer inside the cover, this must be kept and replaced on the fixing screw during re-assembly.



- 3.5 Disconnect the ignition lead from the gas valve and the pilot. See diagram 3 arrow A.



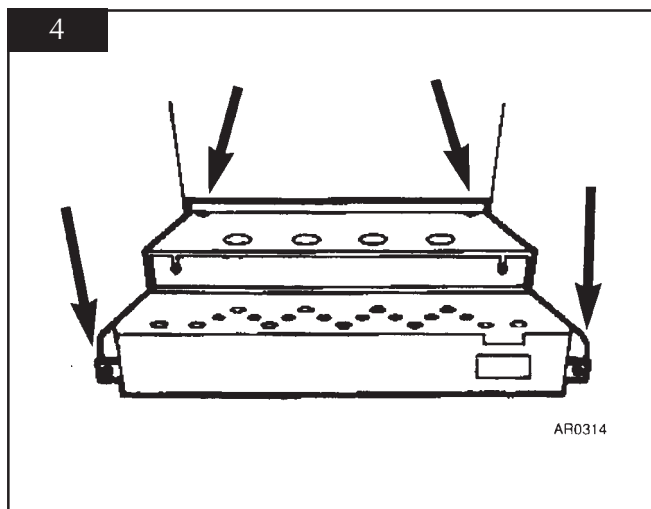
- 3.6 Replace with a new ignition lead following the same route as the old one. Replace the valve cover and the pilot assembly.
- 3.7 Check the operation of the new ignition lead.
- 3.8 Replace the front.

4. PIEZO

- 4.1 The piezo assembly used on this appliance is not serviceable and is unlikely to fail.

5. The following parts require the removal of the burner from the convectorbox .

- a) Turn the gas supply off at the isolation device.
- b) Disconnect the gas supply pipe from the pressure test elbow on the appliance.
- c) Undo the screws securing the fire. See diagram 4.
- d) Remove the fire for servicing.



INSTALLATION INSTRUCTIONS

REPLACING PARTS

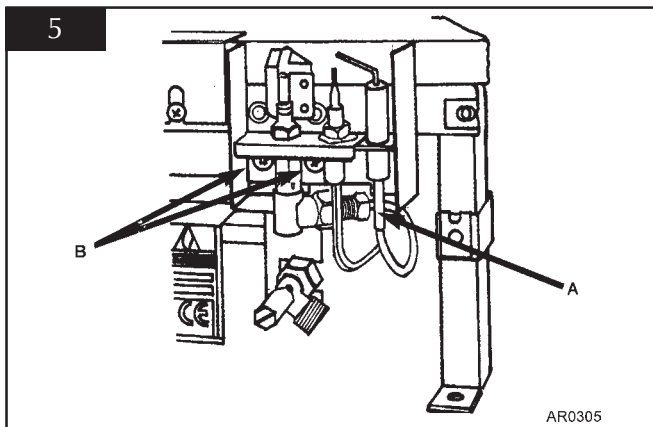
6. ODS PILOT UNIT

Note: The pilot unit on the appliance is a non serviceable unit due to the complex nature of its manufacture. Replacement of the complete unit must be carried out when one of the following items becomes faulty:

- Pilot injector
- Ignition electrode
- Thermocouple
- Pilot injector

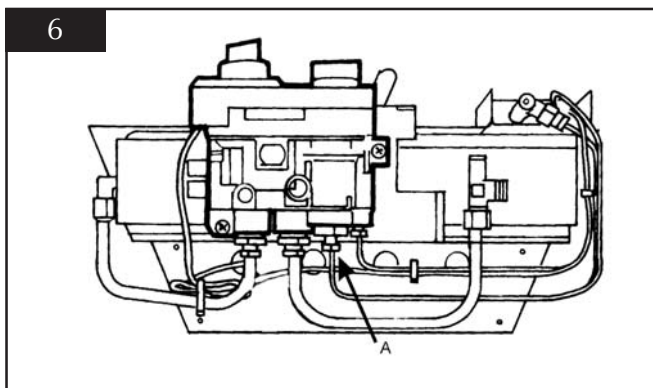
6.1 Carry out operations (a) to (d), section 4.

6.2 Gently pull the ignition lead off the electrode. See diagram 5 arrow A.

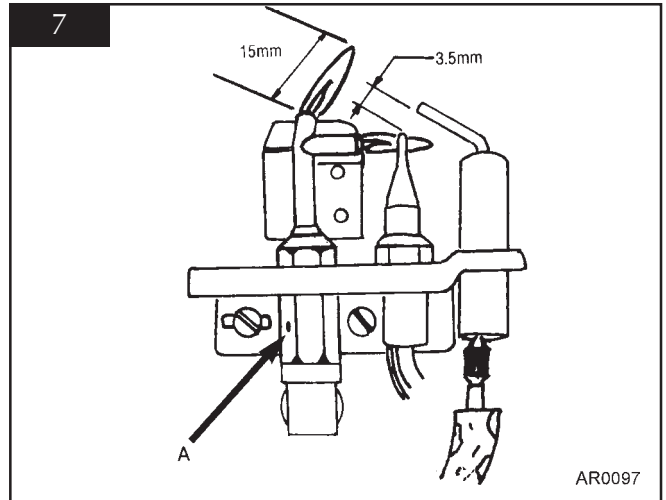


6.3 Remove the two screws securing the pilot assembly. See Diagram 5 arrow B

6.4 Undo the thermocouple connection at the back of the gas valve. See diagram 6 arrow A.



6.5 Replace with a new pilot assembly, set the spark gap. See diagram 7.

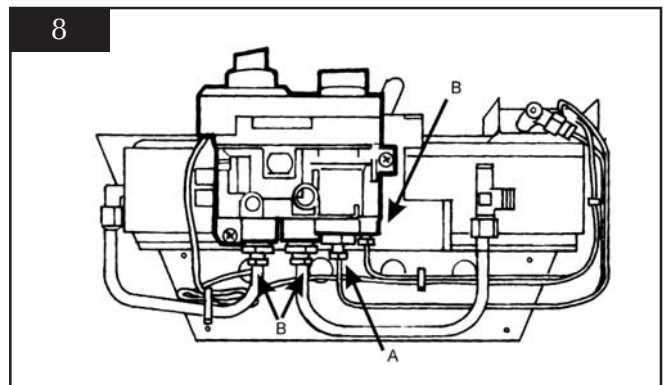


6.6 After reassembly, check for gas soundness and carry out a flame failure functional check details in the flow chart, especially the mag drop out time.

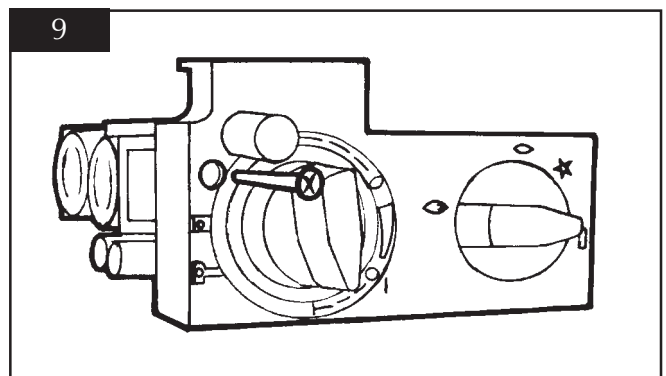
7. GAS VALVE

7.1 Carry out operations (a) to (d), section 4.

7.2 Disconnect the 2x8mm and 1x4mm gas pipe fittings at the back of the gas valve and also disconnect the thermocouple, see diagram 8 arrow A & B.



7.3 Undo the single screw that secures the left hand side of the control cover, see diagram 9.



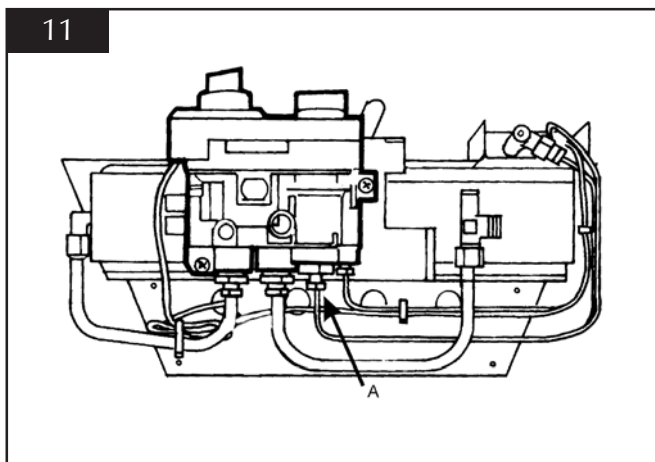
INSTALLATION INSTRUCTIONS

REPLACING PARTS

- 7.4 Disconnect the ignition lead from the gas valve, see section 2.
- 7.5 Undo the two bolts securing the gas valve to the appliance and remove the valve.
- 7.6 Replace in reverse order.
- 7.7 Check all joints for gas leaks, check operation of the thermocouple and ignition lead.

8. MAG UNIT

- 8.1 Carry out operations (a) to (d), section 4.
- 8.2 Undo the mag unit retaining nut at the back of the control valve. See diagram 11, arrow A.



- 8.3 After removing the retaining nut, the mag unit can be tapped out and a replacement fitted.
- 8.4 Replace the mag unit retaining nut and tighten. Note - this is a gas-tight seal.
- 8.5 Replace the thermocouple and check for gas leaks.
- 8.6 After reassembly, carry out the flame failure functional check as details in the flow chart, especially the mag unit drop out time.

9. MAIN INJECTOR

- 9.1 Carry out operations (a) to (d), section 4.
- 9.2 With the fire removed, undo the injector compression nut (see diagram 11 arrow C), pull the pipe clear of the injector body.
- 9.3 Rotate the injector until it is fully removed.
- 9.4 Replace with the correct replacement injector. When ordering, always state the model, gas type and serial number.
- 9.5 Reassemble and turn the gas supply on, check for any leaks.

10. CHANGING BETWEEN GAS TYPES

The following parts must be changed when converting an appliance from one gas type to another:

- Main injector
- Pilot assembly
- Aeration adjuster
- Control valve
- Data Badge

Refer to Gazco for a Conversion Kit

Note: The control valve will be set for the particular Appliance. In addition a new databadge will need to be ordered. In all instances, when ordering new parts, be sure to quote the appliance type and serial number. Use only genuine Gazco replacement parts. Non-standard components will invalidate the guarantee and may be dangerous.

11. CONTROL UPGRADE

See section 14.

SPARES PARTS LIST

SPARES PARTS LISTS

MANUAL FIRES	RD	16	22
CERAMIC PARTS			
Front Coal	CE0374	CE0471/472	
Flame Baffle	CE0375	CE0470	
Burner Skin	CE0155	CE0157	
Pebble Set	CE0373	CE0473	
LH Side Ceramic Panel	CEO492	CEO492	
RH Side Ceramic Panel	CEO493	CEO493	
Rear Ceramic Panel	CEO494	CEO495	
NATURAL GAS PARTS			
Main Injector	IN0007	IN0005	IN0042
Pilot Assembly	PI0036		PI0044
Aeration Adjuster	GZ3464	GZ4394	
Gas Valve	GC0088 - Preset for Nat. Gas*		
LPG GAS PARTS			
Main Injector	IN0025	IN0001	IN00423
Pilot Assembly	PI0037		PI0045
Aeration Adjuster	GZ3466	GZ3467	GZ4393
Gas Valve	GC0088 - Preset for LPG Gas*		
MISCELLANEOUS			
Ignition Lead	GC0090		
Mag Unit	GC0092		
Control Cover	GC0087		
Upgrade Kit	8455		

*Please note: The gas value is factory preset-please consult Gazco for advise stating the model number and gas type.

SERVICE RECORDS

1ST SERVICE

Date of Service:.....
Next Service Due:.....
Signed:.....
Dealer's Stamp/CORGI Registration Number

2ND SERVICE

Date of Service:.....
Next Service Due:.....
Signed:.....
Dealer's Stamp/CORGI Registration Number

3RD SERVICE

Date of Service:.....
Next Service Due:.....
Signed:.....
Dealer's Stamp/CORGI Registration Number

4TH SERVICE

Date of Service:.....
Next Service Due:.....
Signed:.....
Dealer's Stamp/CORGI Registration Number

5TH SERVICE

Date of Service:.....
Next Service Due:.....
Signed:.....
Dealer's Stamp/CORGI Registration Number

6TH SERVICE

Date of Service:.....
Next Service Due:.....
Signed:.....
Dealer's Stamp/CORGI Registration Number

7TH SERVICE

Date of Service:.....
Next Service Due:.....
:.....
Dealer's Stamp/CORGI Registration Number

8TH SERVICE

Date of Service:.....
Next Due:.....
Signed:.....
Dealer's Stamp/CORGI Registration Number

9TH SERVICE

Date of Service:.....
Next Due:.....
Signed:.....
Dealer's Stamp/CORGI Registration Number

10TH SERVICE

Date of Service:.....
Next Service Due:.....
Signed:.....
Dealer's Stamp/CORGI Registration Number

Gazco Limited, Osprey Road, Sowton Industrial Estate, Exeter, Devon, England EX2 7JG
Tel: (01392) 261999 Fax: (01392) 444148 E-mail: info@gazco.com

A member of the Stovax Group