

WALL HUNG CONDENSING BOILER

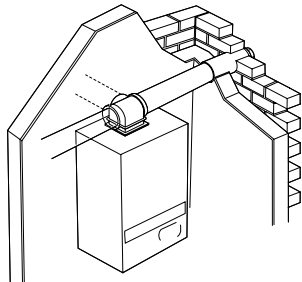
ENERGYSAVER



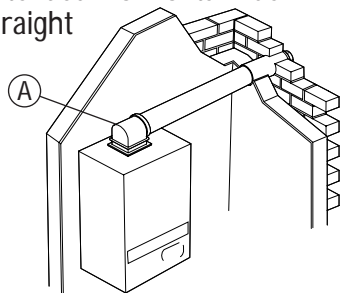
ENERGYSAVER 30 - 80

HORIZONTAL FLUE OPTIONS

Standard Horizontal Flue



Extended Horizontal Flue Straight



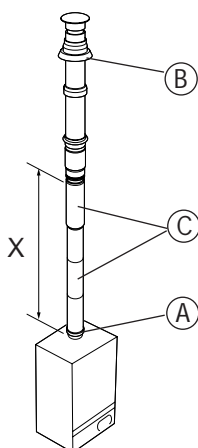
MODEL	MAX LENGTH OF STANDARD PACK	DESCRIPTION OF PARTS REQUIRED	PART NUMBER
ALL	510mm	Standard Flue Pack (Complete with Flue / Air Duct)	900860

MODEL	MAX FLUE LENGTH (m)	DESCRIPTION OF PARTS REQUIRED	PART NUMBER
-------	---------------------	-------------------------------	-------------

30/30e	3m	(A) 1m Extension Kit	448914
40*/40e	3m	or	
50*/50e	3m	(A) 2m Extension Kit	448482
60*/60e	3m	or	
70	3m	(A) 3m Extension Kit	448483
80*/80e	3m		
*LPG Conversion kit available			

VERTICAL FLUE OPTIONS

Straight



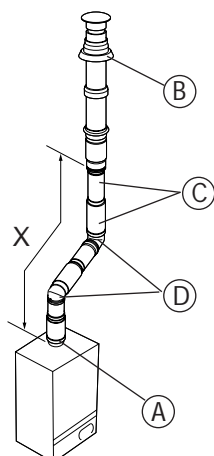
MODEL	MAX FLUE LENGTH (m) X	DESCRIPTION OF PARTS REQUIRED	PART NUMBER
-------	-----------------------	-------------------------------	-------------

30/30e	3m	(A) Vertical Flue Kit - 30-60, 30-60e	448453
40*/40e	3m	(A) Vertical Flue Kit - 70, 80 & 80e	448459
50*/50e	3m	(A) Vertical Flue Kit - 80 (LPG)	448459
60*/60e	3m	(B) Vertical Flue Terminal	448494
70	3m	(C) 250mm Flue / Air Duct or	444195
80*/80e	3m	(C) 500mm Flue / Air Duct or	444196
		(C) 1000mm Flue / Air Duct or	444197
		(C) Adjustable (0-275mm) Flue / Air Duct	444198
*LPG Conversion kit available			

NOTE : Max. Flue Length does not include Terminal.

IMPORTANT : The flue pipe cannot be cut to size due to integral seals. The adjustable pipe is required to achieve the exact length.

2x45° bend



30/30e	3m	(A) Vertical Flue Kit - 30-60, 30-60e	448453
40*/40e	3m	(A) Vertical Flue Kit - 70, 80 & 80e	448459
50*/50e	3m	(A) Vertical Flue Kit - 80 (LPG)	448459
60*/60e	3m	(B) Vertical Flue Terminal	448494
70	3m	(C) 250mm Flue / Air Duct or	444195
80*/80e	3m	(C) 500mm Flue / Air Duct or	444196
		(C) 1000mm Flue / Air Duct or	444197
		(C) Adjustable (0-275mm) Flue / Air Duct	444198
		(D) 45° Flue Bend Kit (2 Required)	444199
*LPG Conversion kit available			

NOTE : Max. Flue Length does not include Terminal & Flue Bends.

IMPORTANT : The flue pipe cannot be cut to size due to integral seals. The adjustable pipe is required to achieve the exact length.

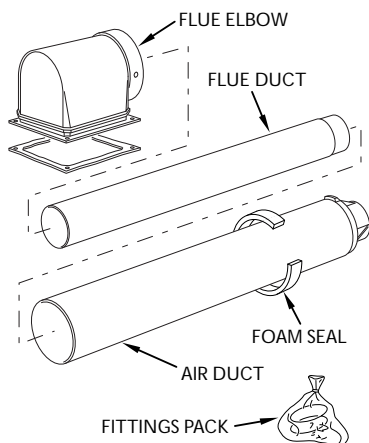
FLUE OPTIONS

ENERGYSAVER

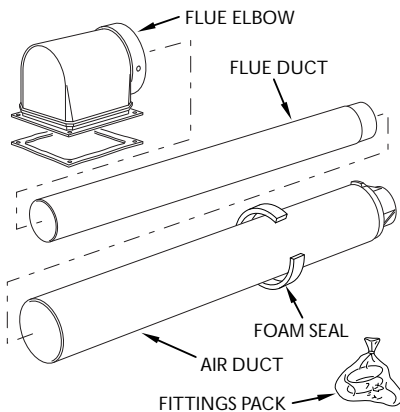
ENERGYSAVER 30 - 80



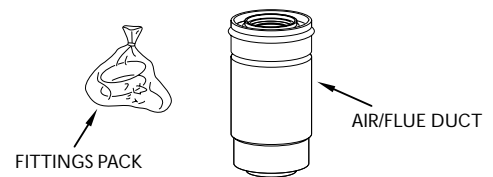
STANDARD FLUE PACK 900860



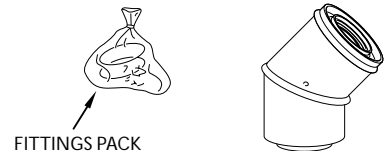
1m EXTENSION KIT 448914 2m EXTENSION KIT 448482 3m EXTENSION KIT 448483



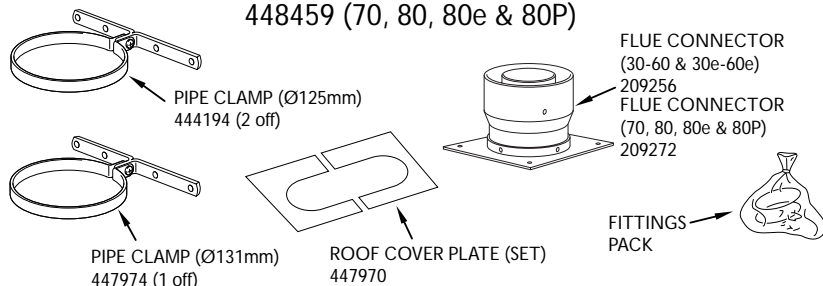
250mm FLUE/AIR DUCT 444195 500mm FLUE/AIR DUCT 444196 1m FLUE/AIR DUCT 444197 ADJUSTABLE FLUE/AIR DUCT 444198



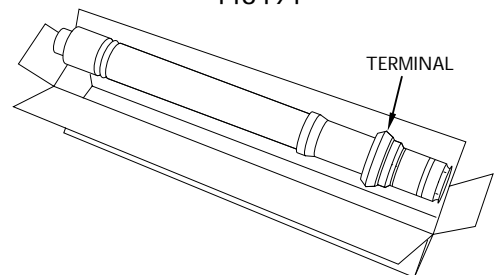
45° FLUE BEND KIT 444199



VERTICAL FLUE KIT 448453 (30-60 & 30e-60e) 448459 (70, 80, 80e & 80P)

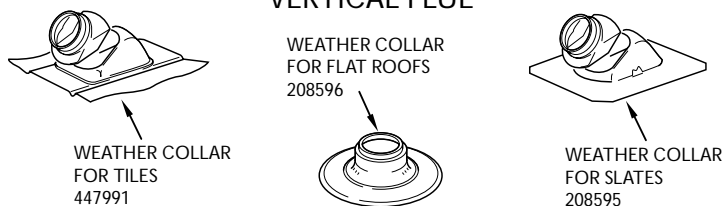


VERTICAL FLUE TERMINAL 448494

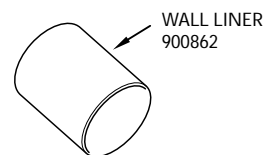


ACCESSORIES

VERTICAL FLUE



HORIZONTAL FLUE



HEATCALL
One Contact-Local Service

Customer Services:
Telephone 01773 828100 Fax: 01773 828070

benchmark
The code of practice for the installation,
commissioning & servicing of central heating systems



Hepworth Heating Ltd
A HEPWORTH PLC COMPANY

Nottingham Road, Belper, Derbyshire. DE56 1JT
General Sales Enquiries:
Telephone: 01773 824141 Fax: 01773 828123

The illustrations show our products as realistically as possible, however the limitations of photography and printing may result in goods varying slightly from the illustration.

Hepworth Heating Limited pursue a policy of continual improvement in design and performance of its products.

In pursuance of this policy we reserve the right to alter specification and designs.

The statutory rights of the consumer are not affected.