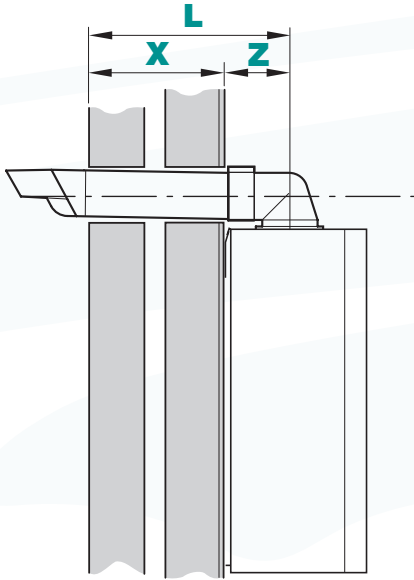


12hxi, 15hxi, 18hxi, 24hxi, 30hxi, 38hxi, 18sxi, 30sxi, 24cxi, 30cxi and 38cxi

HORIZONTAL TOP REAR FLUE OPTIONS



L = Flue length, measured from outside wall face to centre line of flue outlet. If **L** is less than 730mm then only the horizontal flue, is required. If **L** is greater than 730mm then extensions are required.

X = Wall thickness.

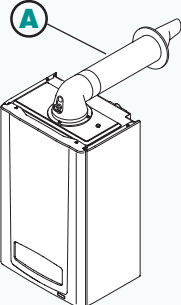
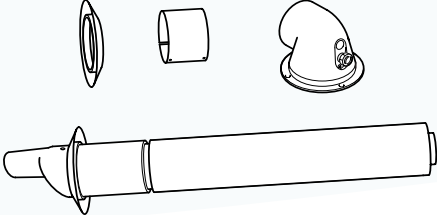
Z = Distance from centre line of flue outlet to inside wall face.

The horizontal flue can be extended by up to 10m.

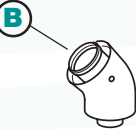
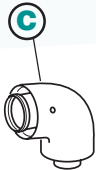
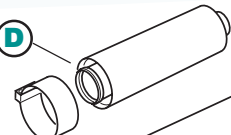

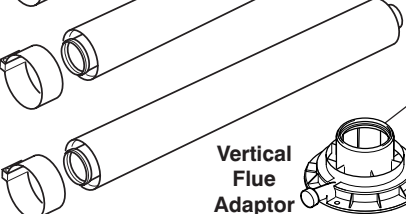
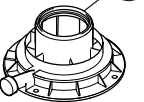
The maximum flue length with extensions must not be exceeded (refer to **L** in table below).

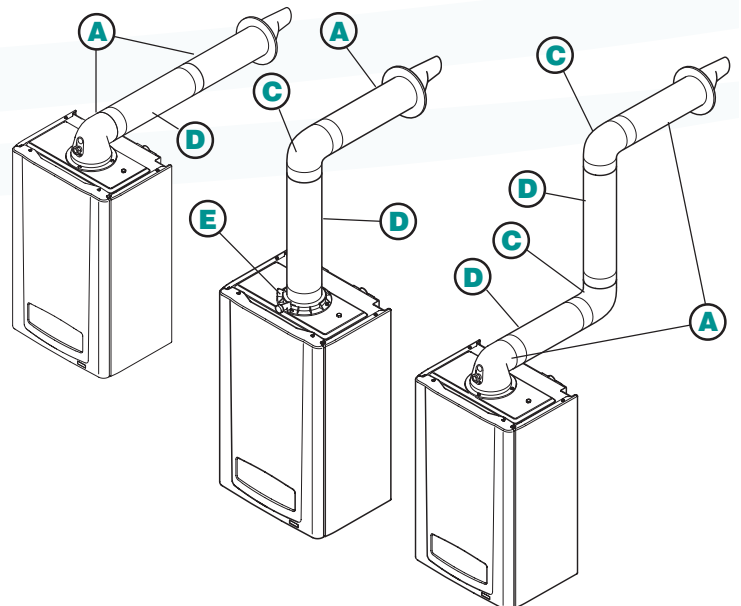
For each additional 90° or 2 x 45° bends fitted the maximum flue length must be reduced by 1m.

The vertical flue adaptor **E** is required for vertical flue connections to the boiler.

	Model	L Max with extensions	X (mm)		Z	A Horizontal flue A2024500
			Min	Max		
	All models	10.73m	75	554	176mm	

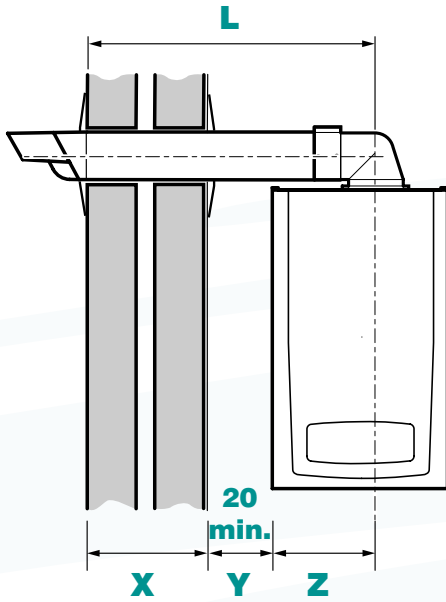
HORIZONTAL ACCESSORIES

- 45° Bend 2000460485 (2 off) 
- 90° Bend 2000460484 
- 0.5m Extension 2000460481 
- 1m Extension 2000460482 
- 2m Extension 2000460483 
- Vertical Flue Adaptor A2024600 



Flueing examples using extensions and bends

HORIZONTAL TOP SIDE FLUE OPTIONS



L = Flue length, measured from outside wall face to centre line of flue outlet. If **L** is less than 730mm then only the horizontal flue is required. If **L** is greater than 730mm then extensions are required.

X = Wall thickness.

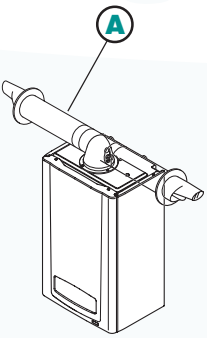
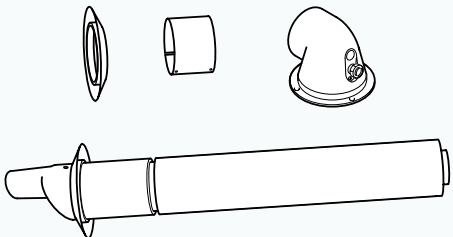
Y = Distance from the side of the boiler to the inside wall face.

Z = Distance from centre line of flue outlet to the side of the boiler.

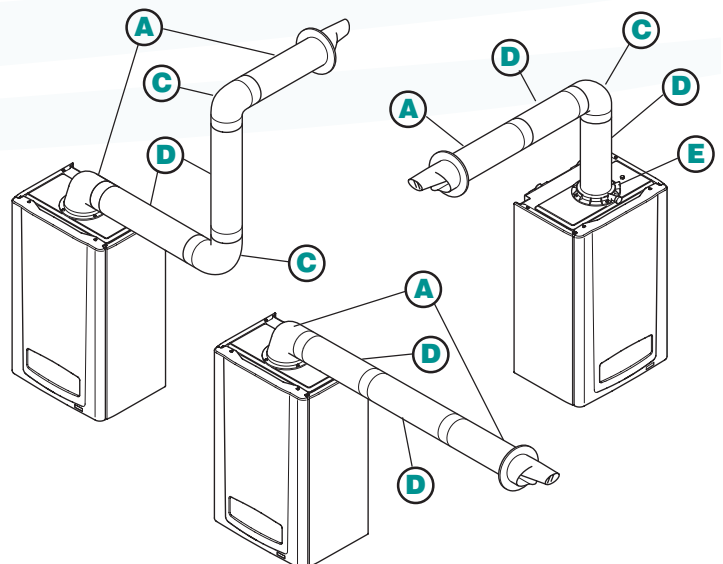
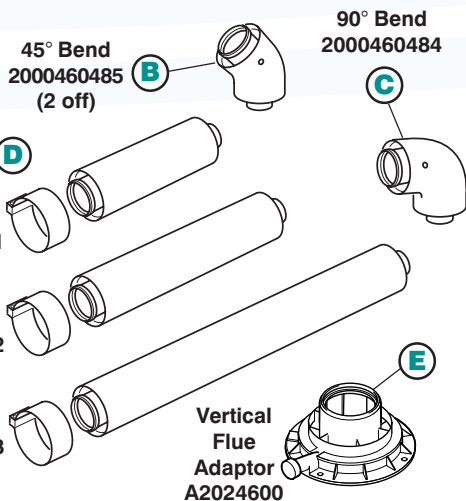
The horizontal flue can be extended by up to 10m.

The maximum flue length with extensions must not be exceeded (refer to **L** in table below).

For each additional 90° or 2 x 45° bends fitted the maximum flue length must be reduced by 1m. The vertical flue adaptor **E** is required for vertical flue connections to the boiler.

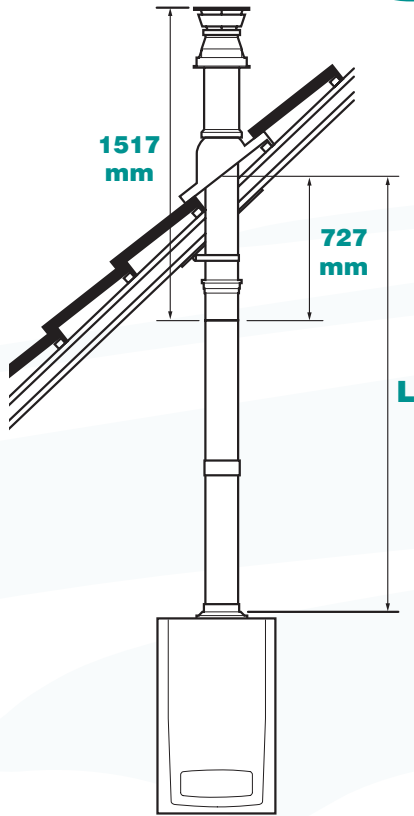
	Model	L Max with extensions	X (mm)		Z (mm)	Horizontal flue pack A2024500
			Min	Max		
	12, 15, 18, 24, 30 & 38hxi	10.73m	75	470	240	left
				575	135	right
	18 & 30sxi	10.73m	75	470	240	left
				500	210	right
	24, 30 & 38cxi	10.73m	75	470	240	left
				500	210	right

HORIZONTAL ACCESSORIES



Flueing examples using extensions and bends

VERTICAL FLUE OPTIONS



L = Flue length, measured from the top of the boiler to the underside of the roof flashing.

Maximum flue length is 10m plus vertical roof terminal.

The maximum flue length must not be exceeded (refer to **L** in table below).

For each 90° or 2 x 45° bends fitted the maximum flue length must be reduced by 1m.

Vertical flue options use the same 100mm diameter flue components as the horizontal flue options.

The vertical flue adaptor **(E)** is required for vertical flue connections to the boiler.

	Model	L Max with extensions	Description of parts	Part number
	All models	10.73m	<ul style="list-style-type: none"> (D) 0.5m Extension or (D) 1m Extension or (D) 2m Extension or (E) Vertical flue adaptor (F) Vertical roof terminal 	<ul style="list-style-type: none"> 2000460481 2000460482 2000460483 A2024600 2000460480

VERTICAL FLUE ACCESSORIES

Vertical roof terminal
2000460480

Sliding sleeve
2000460487

Flat roof flashing
2000460478

0.5m Extension
2000460481

1m Extension
2000460482

2m Extension
2000460483

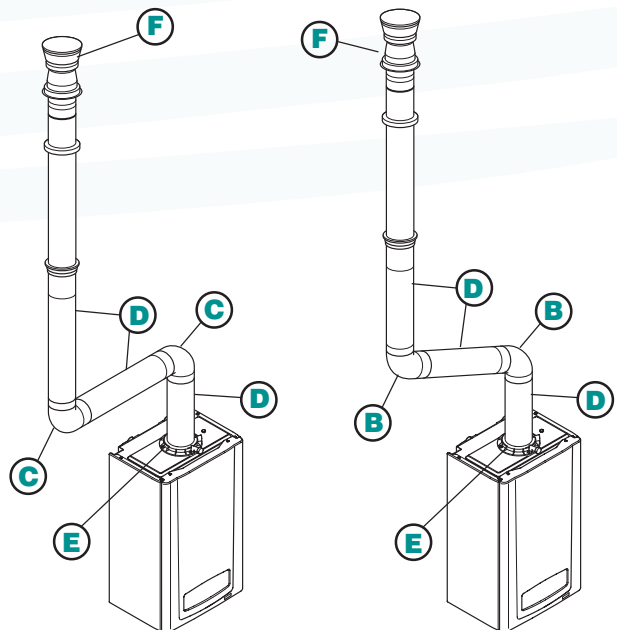
Vertical Flue Adaptor A2024600

Pitched roof flashing
2000460479

Fixing bracket (5off)
2000460486

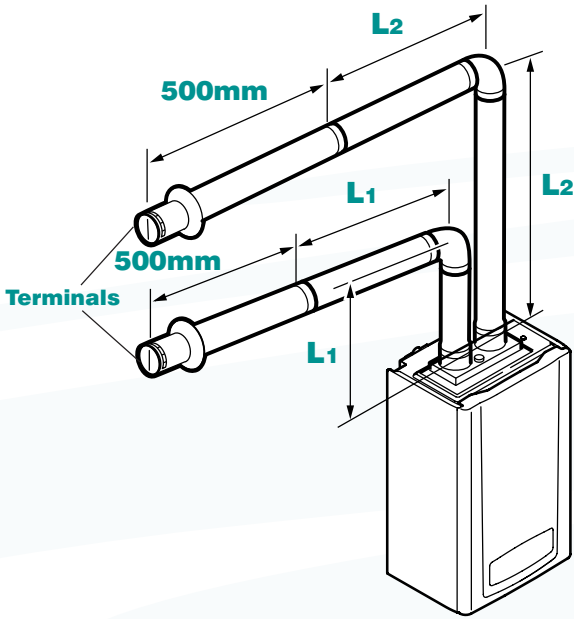
45° Bend (2off)
2000460485

90° Bend
2000460484



Flueing examples using extensions and bends

TWIN FLUE OPTIONS



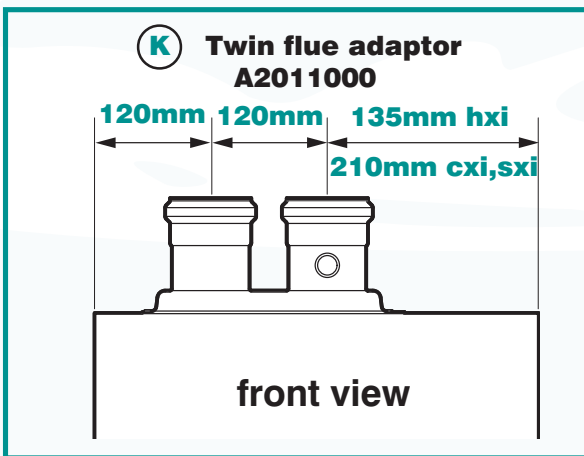
$L = L_1 + L_2$ Maximum available combined flue length (L_1 air inlet and L_2 flue outlet), measured from top of boiler (not including terminals)

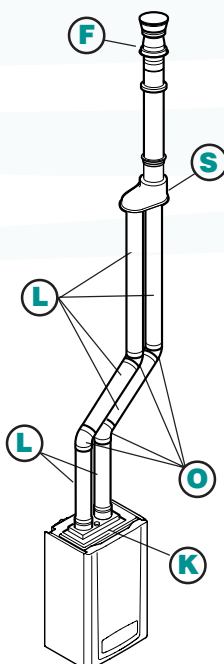
Maximum flue length is 40m ($L_1 + L_2$) plus terminals.

For each 90° or 2 x 45° bends fitted the maximum flue length must be reduced by 1m.

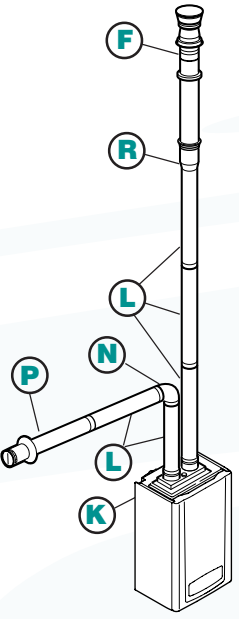
Air inlet and flue outlet terminals must be installed so that they are exposed to external air.

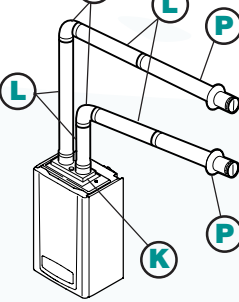
The flue outlet must be above the air inlet if mounted vertically.



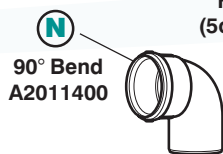
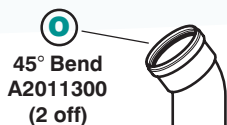
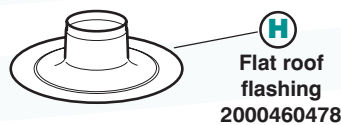
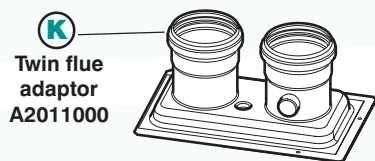
Option 1	Model	$L = L_1 \text{ air} + L_2 \text{ flue}$ Max combined flue length	Description of parts	Part number
	all models	40m	<ul style="list-style-type: none"> F Vertical roof terminal K Twin flue adaptor L 1m Extension O 45° Bend S Twin pipe to concentric adaptor 	<ul style="list-style-type: none"> 2000460480 A2011000 A2011100 A2011300 A2011600

TWIN FLUE OPTIONS

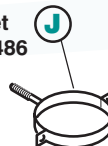
Option 2	Model	$L = L_1 \text{ air} + L_2 \text{ flue}$ Max combined flue length	Description of parts	Part number
	all models	40m	<ul style="list-style-type: none"> F Vertical roof terminal K Twin flue adaptor L 1m Extension N 90° Bend P Horizontal terminal R Single pipe adaptor 	<ul style="list-style-type: none"> 2000460480 A2011000 A2011100 A2011400 A2011200 A2011500

Option 3	Model	$L = L_1 \text{ air} + L_2 \text{ flue}$ Max combined flue length	Description of parts	Part number
	all models	40m	<ul style="list-style-type: none"> K Twin flue adaptor L 1m Extension N 90° Bend P Horizontal terminal 	<ul style="list-style-type: none"> A2011000 A2011100 A2011400 A2011200

TWIN FLUE ACCESSORIES



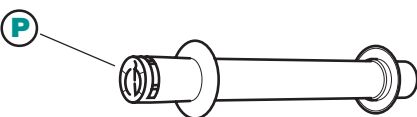
Ø100mm
Fixing bracket
(5off) 2000460486



Ø80mm
Fixing bracket
A2012800
(5off)



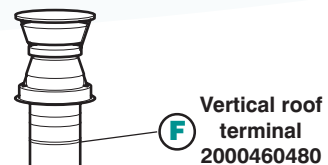
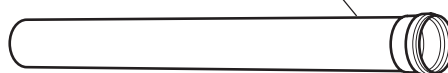
Horizontal terminal
A2011200



Single pipe adaptor
A2011500



1m Extension
A2011100



Twin pipe to concentric adaptor
A2011600



PLUME MANAGEMENT KIT

The plume management kit fits onto the horizontal flue and allows the flue outlet to be raised by up to 6m. This ensures that the flue gases are vented at higher level.

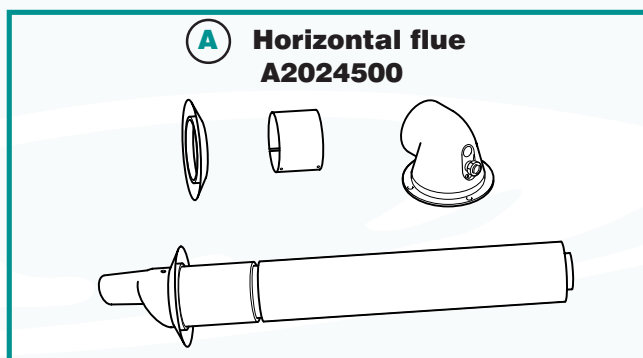
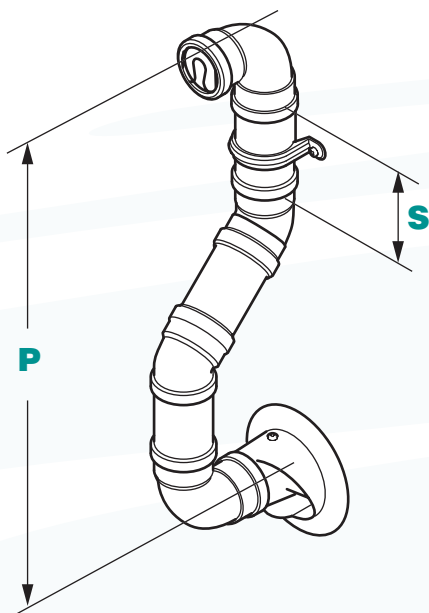
The maximum permitted flue length **P**, is measured from the centre line of the flue terminal to the top of the outlet terminal.

Maximum flue length **P**, must not exceed 6m with a horizontal length of 4m.

The minimum cut flue length **S**, is 90mm.

A length of straight 50mm diameter plastic pipe **U** is required to complete the installation. Additional bends may also be required. Pipe and additional bends not supplied by Glow-worm.

For each additional 90° or 2 x 45° bends fitted, the maximum length must be reduced by 1m.



	Model	P		T Plume management kit A2013800
		Min	Max	
	all models	440mm	6m	



Literature: Tel: 01773 596190 Fax: 01773 828555 Technical Advice: Tel: 01773 828300 Fax: 01773 828070
 Glow-worm, Nottingham Road, Belper, Derbyshire. DE56 1JT
 Visit www.glow-worm.co.uk to view and download technical data

The illustrations show our products as realistically as possible, however the limitations of photography and printing may result in goods varying slightly from the illustration. Hepworth Heating Ltd. pursue a policy of continual improvement in design and performance of its products. In pursuance of the policy we reserve the right to alter specification and design. The statutory rights of the consumer are not affected.