

## ACCESSORIES

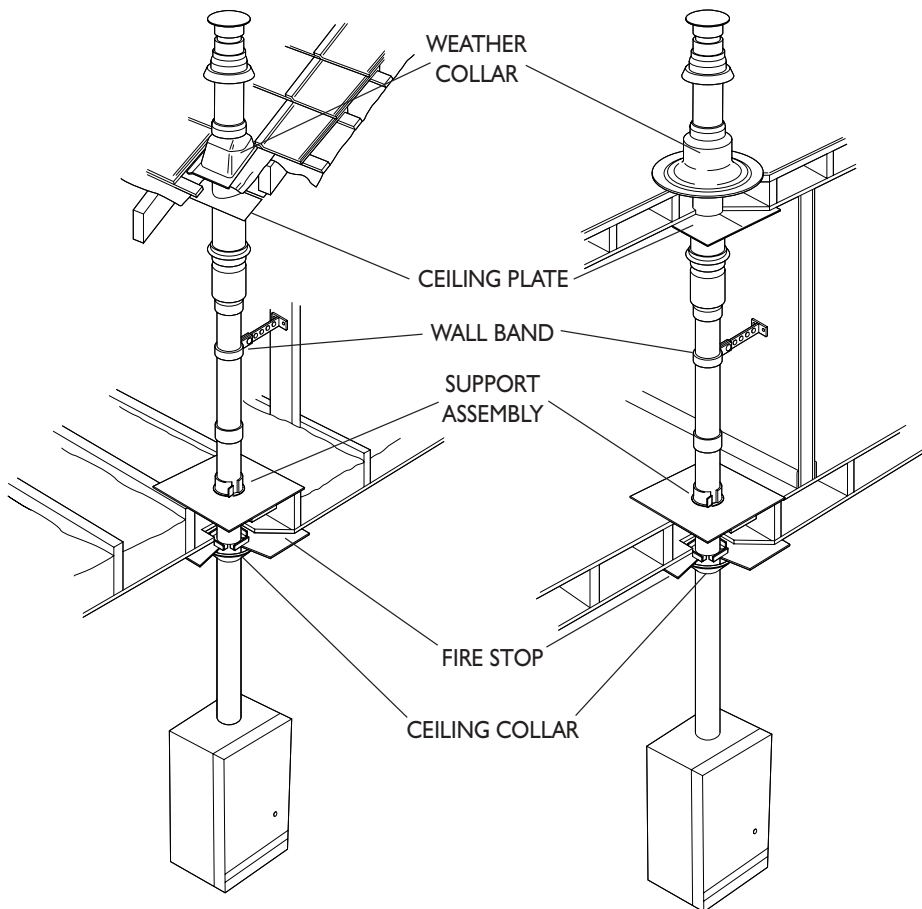
# MICRON / ULTIMATE

MICRON/ULTIMATE 100FF - 120FF



### VERTICAL FLUE ACCESSORIES

#### TYPICAL ARRANGEMENT



#### FIRESTOP PLATE - 2000208641

Manufactured from galvanised steel and fitted with spacer lugs which ensure that a distance of 50mm is maintained between the inner liner of the flue and any combustible material.

#### CEILING PLATE - 2PIECE - 2000448694

Manufactured from galvanised steel and should be used on the under side of the floor joists where the flue passes through the floor or roof in a non-vertical plane.

#### CEILING COLLAR - 2000208638

Used if required as a ceiling trim immediately below the ceiling to make a neat installation.

#### SUPPORT ASSEMBLY - 2000208640

Manufacture from galvanised steel and incorporates a fire stop feature fitted with spacer lugs and support collar. This item should be used to support the flue at the top of each floor joist and provide a fire stop feature.



Nottingham Road, Belper, Derbyshire. DE56 1JT  
General Sales Enquiries:  
Telephone: 01773 824141 Fax: 01773 828123  
[www.glow-worm.co.uk](http://www.glow-worm.co.uk)

The illustrations show our products as realistically as possible, however the limitations of photography and printing may result in goods varying slightly from the illustration.

Glow-worm Limited pursue a policy of continual improvement in design and performance of its products.

In pursuance of this policy we reserve the right to alter specification and designs.

The statutory rights of the consumer are not affected.

# WALL HUNG CAST IRON BOILER

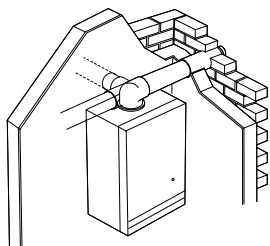
## MICRON / ULTIMATE



### MICRON/ULTIMATE 100FF - 120FF

#### HORIZONTAL FLUE OPTIONS

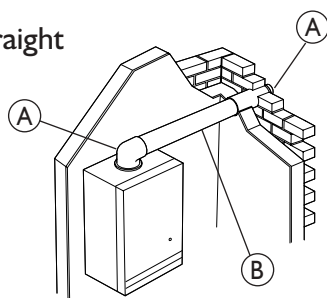
Standard Horizontal Flue



MODEL	MAX LENGTH OF STANDARD PACK	DESCRIPTION OF PARTS REQUIRED	PART NUMBER
ALL	510mm	Standard Flue Pack (Complete with Flue / Air Duct)	2000448901

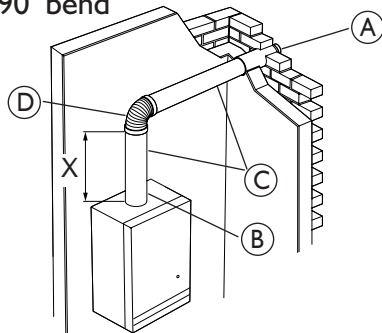
Extended Horizontal Flue

Straight



MODEL	MAX FLUE LENGTH (m)	DESCRIPTION OF PARTS REQUIRED	PART NUMBER
100FF	3m	(A) Elbow / Terminal Pack	2000448465
120FF	2m	(B) 1m Flue / Air Duct Kit or (B) 2m Flue / Air Duct Kit or (B) 3m Flue / Air Duct Kit	2000448488 2000448489 2000448484

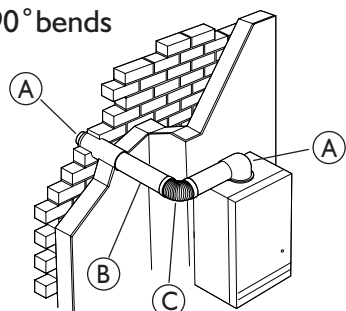
1x90° bend



MODEL	MAX FLUE LENGTH (m)	DESCRIPTION OF PARTS REQUIRED	PART NUMBER
100FF	2m	(A) Elbow / Terminal Pack	2000448465
120FF	2m	(B) Flue Support Kit (C) 1m Flue / Air Duct Kit or (C) 2m Flue / Air Duct Kit (D) 90° Flue Bend Kit (1 Required)	448697 2000448488 2000448489 448695

NOTE: Max. Flue Length does not include Flue Bend.  
X(Max.) = 1500mm

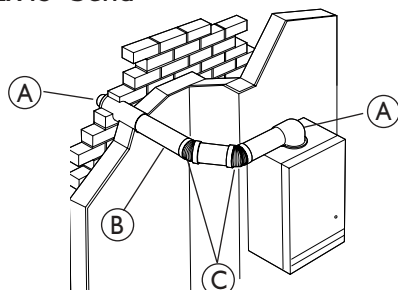
1x90° bends



MODEL	MAX FLUE LENGTH (m)	DESCRIPTION OF PARTS REQUIRED	PART NUMBER
100FF	1m	(A) Elbow / Terminal Pack	2000448465
120FF	1m	(B) 1m Flue / Air Duct Kit (C) 90° Flue Bend Kit (1 Required)	2000448488 448695

NOTE: Max. Flue Length does not include Flue Bend.

2x45° bend



MODEL	MAX FLUE LENGTH (m)	DESCRIPTION OF PARTS REQUIRED	PART NUMBER
100FF	1m	(A) Elbow / Terminal Pack	2000448465
120FF	1m	(B) 1m Flue / Air Duct Kit (C) 45° Flue Bend Kit (1 Required)	2000448488 448696

NOTE: Max. Flue Length does not include Flue Bends.

# WALL HUNG CAST IRON BOILER

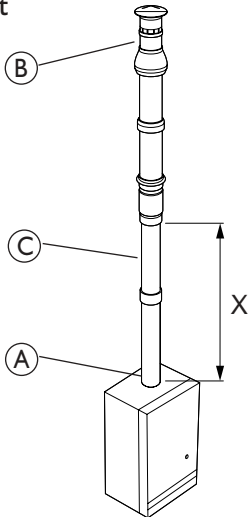
## MICRON / ULTIMATE



MICRON/ULTIMATE 100FF - 120FF

### VERTICAL FLUE OPTIONS

Straight

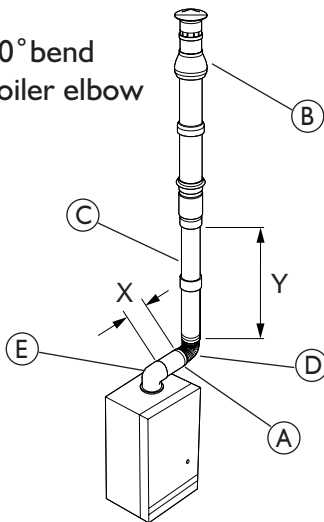


MODEL	MAX FLUE LENGTH (mm) <b>X+Y+Z</b>	DESCRIPTION OF PARTS REQUIRED	PART NUMBER
-------	--------------------------------------	-------------------------------	-------------

100FF	1985mm	(A) Vertical Flue Kit	2000448455
120FF	1985mm	(B) Vertical Flue Terminal	2000448494
		(C) 1m Flue / Air Duct or (C) 2m Flue / Air Duct	2000448488 2000448489

NOTE: Max. Flue Length does not include Terminal.  
X(Min.) = 105mm

1x90° bend  
& boiler elbow

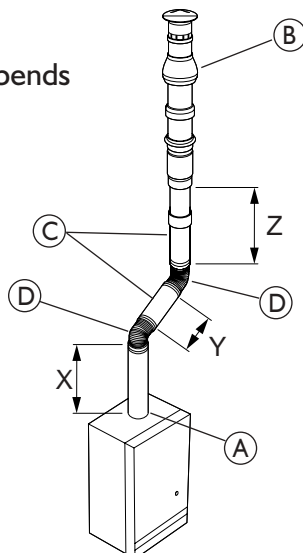


MODEL	MAX FLUE LENGTH (m) <b>X+Y+Z</b>	DESCRIPTION OF PARTS REQUIRED	PART NUMBER
-------	-------------------------------------	-------------------------------	-------------

100FF	1m	(A) Vertical Flue Kit	2000448455
120FF	1m	(B) Vertical Flue Terminal	2000448494
		(C) 1m Flue / Air Duct (D) 90° Flue Bend Kit (1 Required) (E) Boiler Elbow Kit	2000448488 448695 2000448466

NOTE: Max. Flue Length does not include Terminal, Flue Bends or Boiler Elbow.  
X(Min.) = 29mm  
Y(Max.) = 30mm

2x45° bends



MODEL	MAX FLUE LENGTH (m) <b>X+Y+Z</b>	DESCRIPTION OF PARTS REQUIRED	PART NUMBER
-------	-------------------------------------	-------------------------------	-------------

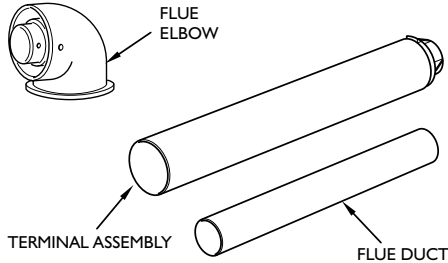
100FF	1.5m	(A) Vertical Flue Kit	2000448455
120FF	1.5m	(B) Vertical Flue Terminal	2000448494
		(C) 1m Flue / Air Duct or (C) 2m Flue / Air Duct (D) 45° Flue Bend Kit (1 Required)	2000448488 2000448489 448696

NOTE: Max. Flue Length does not include Terminal or Flue Bends.  
X(Min.) = 102mm  
Y(Min.) = 27mm  
Z(Min.) = 30mm

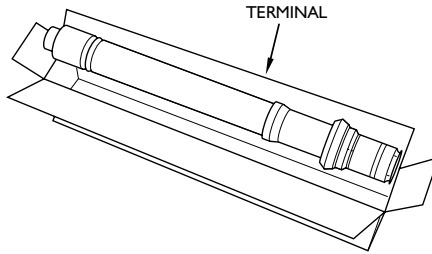
# FLUE OPTIONS

## MICRON/ULTIMATE 100FF - 120FF

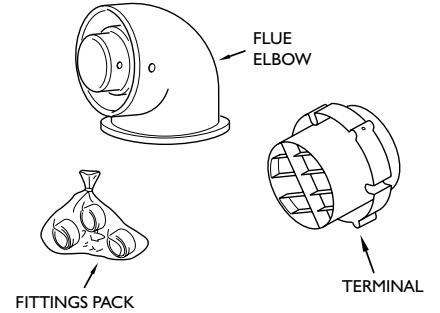
**STANDARD FLUE PACK**  
2000448901



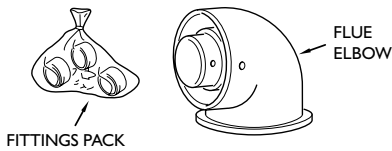
**VERTICAL FLUE TERMINAL**  
2000448494



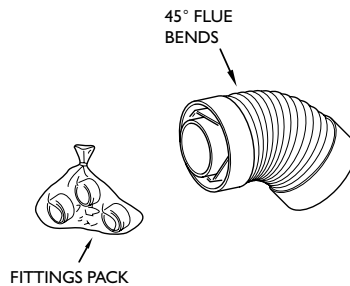
**ELBOW/TERMINAL KIT**  
2000448465



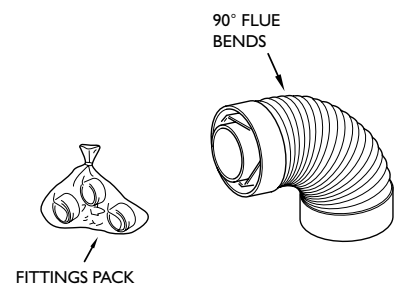
**FLUE ELBOW KIT**  
448466



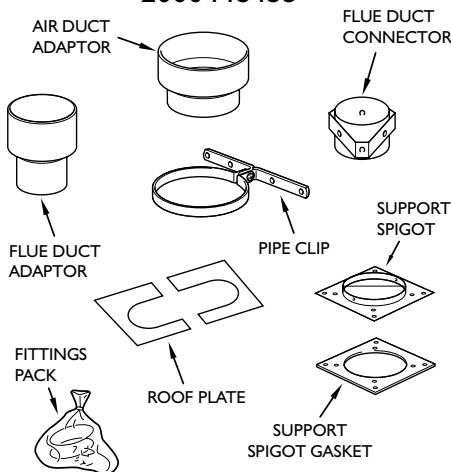
**45° FLUE BEND KIT**  
448696



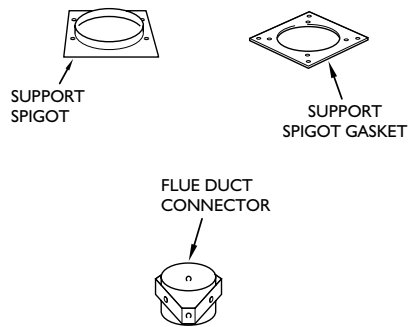
**90° FLUE BEND KIT**  
448695



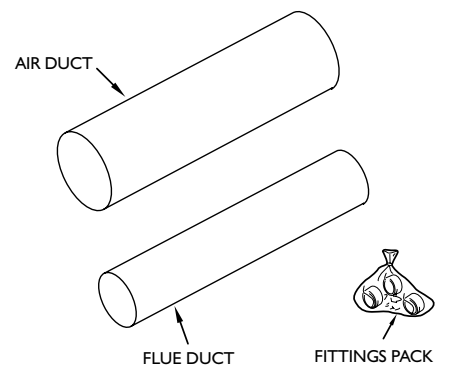
**VERTICAL FLUE KIT**  
2000448455



**FLUE SUPPORT KIT**  
448697

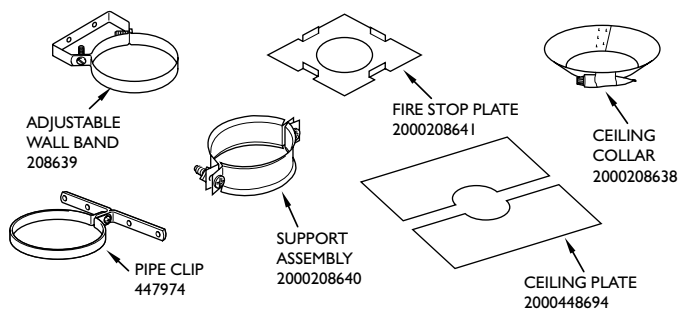


**1m EXTENSION KIT 2000448488**  
**2m EXTENSION KIT 2000448489**  
**3m EXTENSION KIT 2000448484**



## ACCESSORIES

### VERTICAL FLUE



### WEATHER COLLARS

#### STANDARD VERTICAL FLUE FLAT ROOF

- Part Number 2000208596\*

#### PITCHED ROOF

-FOR TILES Part Number 2000208600\*

-FOR SLATE Part Number 2000208595\*

\*Note: With appropriate storm collars

### HORIZONTAL FLUE

