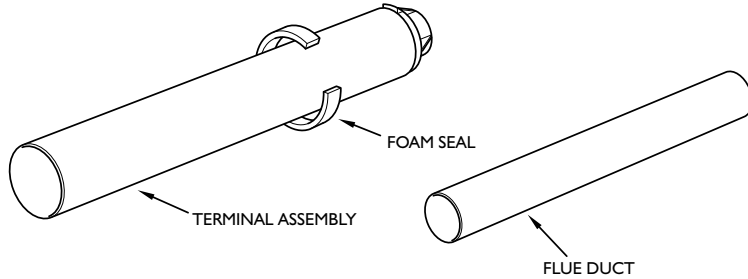


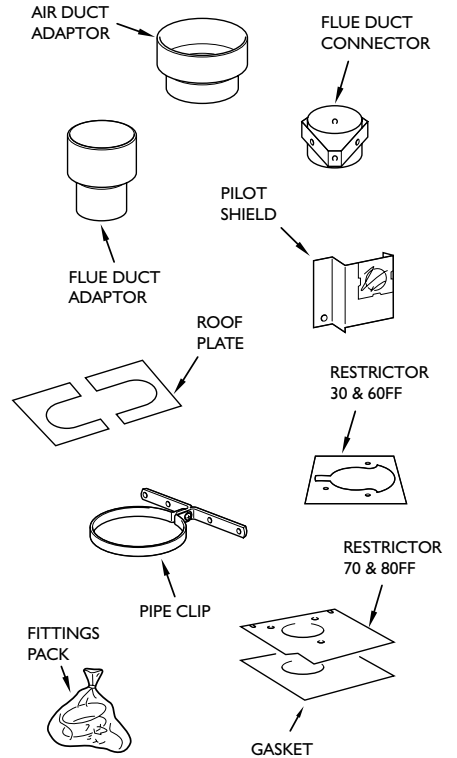
# FLUE OPTIONS

## ULTIMATE 30FF - 80FF

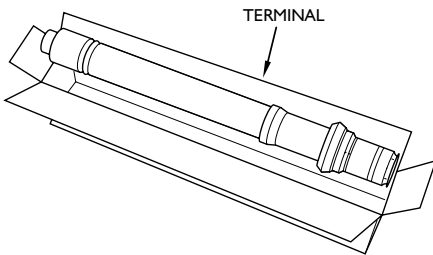
### STANDARD FLUE PACK 900858



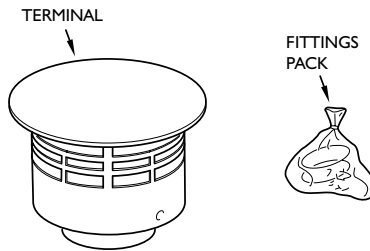
### VERTICAL FLUE KIT 2000448451



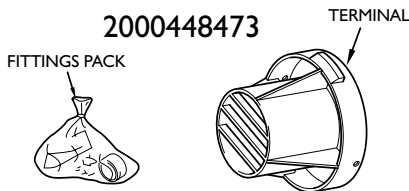
### VERTICAL FLUE TERMINAL 2000448494



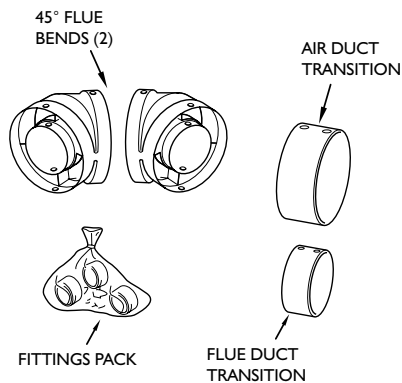
### EASI-VENT VERTICAL FLUE PACK 2000448495



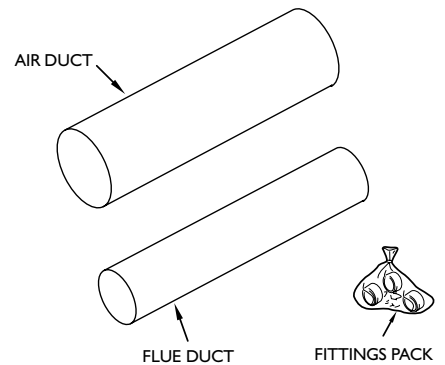
### TERMINAL KIT 2000448473



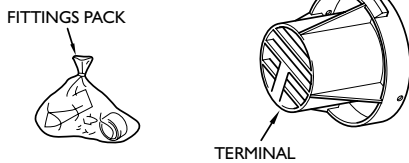
### FLUE BEND KIT 438130



### 1m EXTENSION KIT 2000448490 2m EXTENSION KIT 2000448491 3m EXTENSION KIT 2000448485

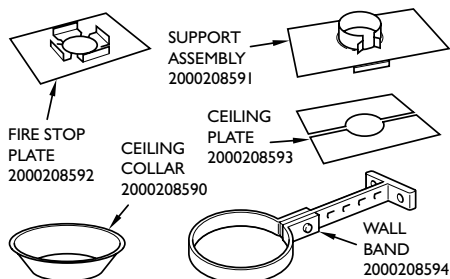


### FLUE BEND TERMINAL KIT 2000448486



## ACCESSORIES

### VERTICAL FLUE



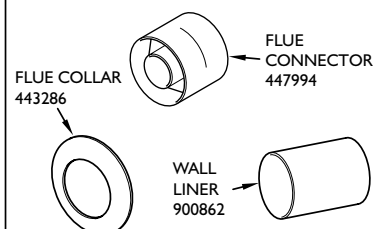
### WEATHER COLLARS

**STANDARD VERTICAL FLUE**  
 FLAT ROOF - Part Number 2000208596\*  
 PITCHED ROOF - FOR TILES Part Number 2000208600\*  
 FOR SLATE Part Number 2000208595\*

**EASI-VENT VERTICAL FLUE**  
 FLAT ROOF - RITE VENT Part Number 015203\*  
 SELKIRK Part Number 2803804\*  
 PITCHED ROOF - RITE VENT Part Number 015103\*  
 SELKIRK Part Number 2803504\*

\*Note: With appropriate storm collars

### HORIZONTAL FLUE and VERTICAL FLUE



# ACCESSORIES

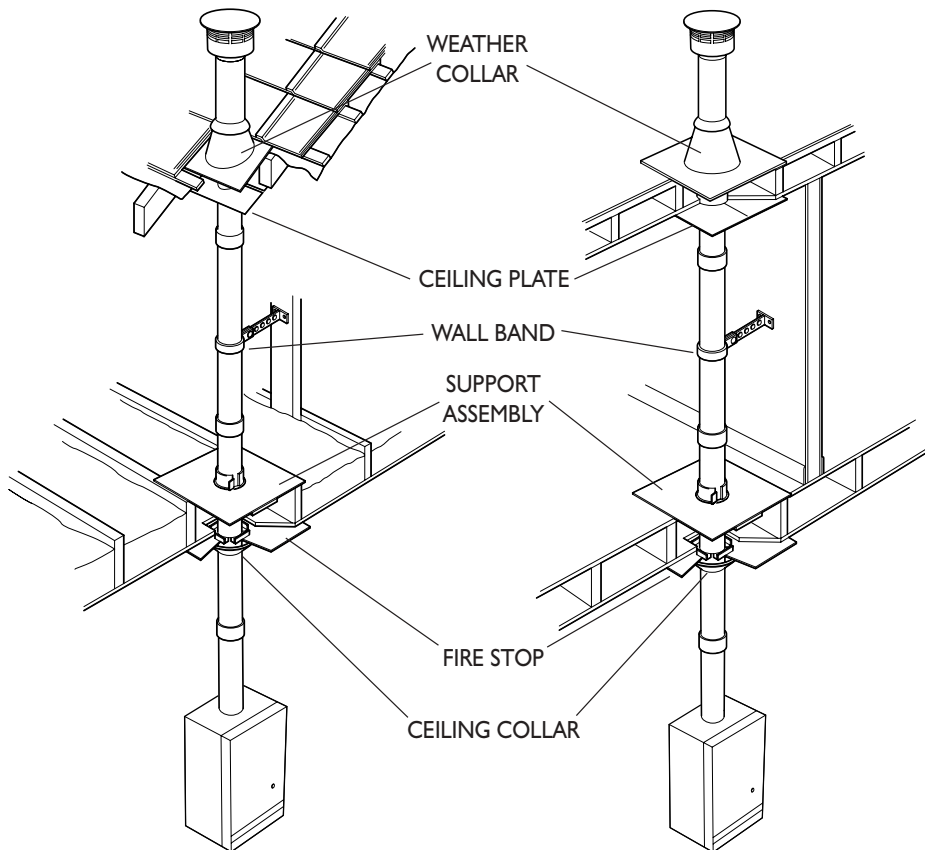
## ULTIMATE

ULTIMATE 30FF - 80FF



### VERTICAL FLUE ACCESSORIES

#### TYPICAL ARRANGEMENT



#### FIRESTOP PLATE - 2000208592

Manufactured from galvanised steel and fitted with spacer lugs which ensure that a distance of 50mm is maintained between the inner liner of the flue and any combustible material.

#### CEILING PLATE - 2PIECE - 2000208593

Manufactured from galvanised steel and should be used on the under side of the floor joists where the flue passes through the floor or roof in a non-vertical plane.

#### CEILING COLLAR - 2000208590

Used if required as a ceiling trim immediately below the ceiling to make a neat installation.

#### SUPPORT ASSEMBLY - 2000208591

Manufacture from galvanised steel and incorporates a fire stop feature fitted with spacer lugs and support collar. This item should be used to support the flue at the top of each floor joist and provide a fire stop feature.



Nottingham Road, Belper, Derbyshire. DE56 1JT  
General Sales Enquiries:  
Telephone: 01773 824141 Fax: 01773 828123  
[www.glow-worm.co.uk](http://www.glow-worm.co.uk)

The illustrations show our products as realistically as possible, however the limitations of photography and printing may result in goods varying slightly from the illustration.

Glow-worm Limited pursue a policy of continual improvement in design and performance of its products.

In pursuance of this policy we reserve the right to alter specification and designs.

The statutory rights of the consumer are not affected.

# WALL HUNG CAST IRON BOILER

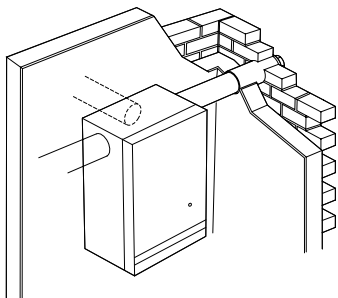
## ULTIMATE



### ULTIMATE 30FF - 80FF

#### HORIZONTAL FLUE OPTIONS

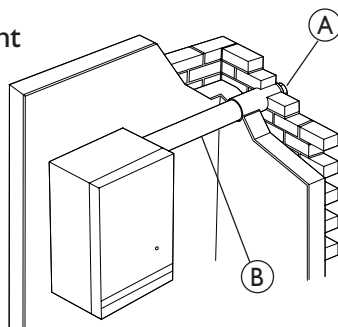
Standard Horizontal Flue



MODEL	MAX LENGTH OF STANDARD PACK	DESCRIPTION OF PARTS REQUIRED	PART NUMBER
ALL	510mm	Standard Flue Pack (Complete with Flue / Air Duct)	900858

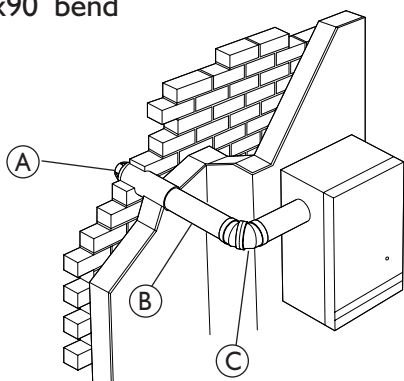
Extended Horizontal Flue

Straight



MODEL	MAX FLUE LENGTH (m)	DESCRIPTION OF PARTS REQUIRED	PART NUMBER
ALL	3m	(A) Terminal Pack (B) 1m Flue / Air Duct Kit or (B) 2m Flue / Air Duct Kit or (B) 3m Flue / Air Duct Kit	2000448473 2000448490 2000448491 2000448485

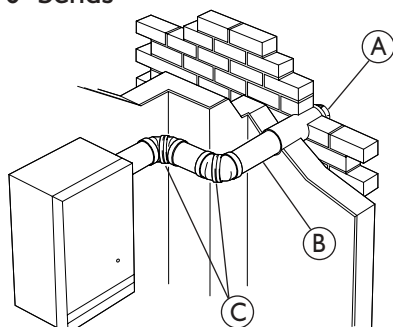
1x90° bend



30FF	3m	(A) Terminal Pack	2000448486
40FF	3m	(B) 1m Flue / Air Duct Kit	2000448490
50FF	3m	or	
60FF	3m	(B) 2m Flue / Air Duct Kit	2000448491
70FF	3m	or	
80FF	3m	(B) 3m Flue / Air Duct Kit	2000448485
		(C) Flue Bend Kit (1 Required)	438130

NOTE : Max flue length does not include flue bend.

2x90° bends



30FF	3m	(A) Terminal Pack	2000448486
40FF	3m	(B) 1m Flue / Air Duct Kit	2000448490
50FF	3m	or	
60FF	3m	(B) 2m Flue / Air Duct Kit	2000448491
70FF	1.2m	or	
80FF	1.2m	(B) 3m Flue / Air Duct Kit	2000448485
		(C) Flue Bend Kit (2 Required)	438130

NOTE : Max flue length does not include flue bends.

# WALL HUNG CAST IRON BOILER

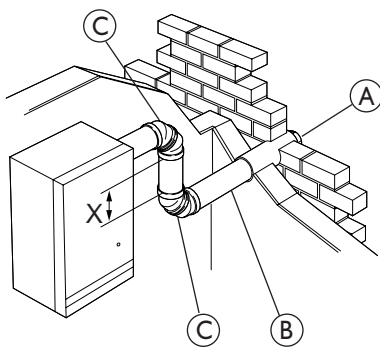
## ULTIMATE



### ULTIMATE 30FF - 80FF

Extended Horizontal Flue - continued

2x90° bends

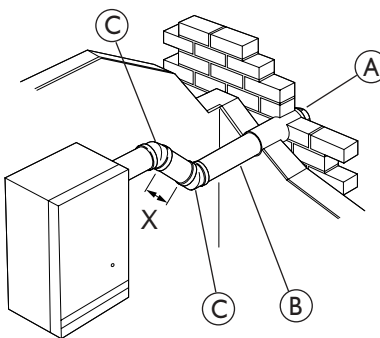


MODEL	MAX FLUE LENGTH (m)	X (MAX) (m)	DESCRIPTION OF PARTS REQUIRED	PART NUMBER
-------	---------------------	-------------	-------------------------------	-------------

30FF	3m	0.5m	(A) Terminal Pack	2000448486
40FF	3m	1m	(B) 1m Flue / Air Duct Kit or (B) 2m Flue / Air Duct Kit or (B) 3m Flue / Air Duct Kit	2000448490
50FF	3m	1m		2000448491
60FF	3m	1m		2000448485
70FF	1.5m	0.5m	(C) Flue bend kit (2 required)	438130
80FF	1.5m	0.5m		

NOTE: Max. flue length does not include flue bends.

2x45° bends

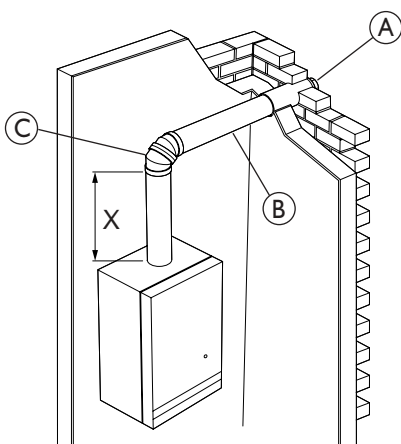


MODEL	MAX FLUE LENGTH (m)	X (MAX) (m)	DESCRIPTION OF PARTS REQUIRED	PART NUMBER
-------	---------------------	-------------	-------------------------------	-------------

30FF	3m	0.5m	(A) Terminal Pack	2000448486
40FF	3m	1m	(B) 1m Flue / Air Duct Kit or (B) 2m Flue / Air Duct Kit or (B) 3m Flue / Air Duct Kit	2000448490
50FF	3m	1m		2000448491
60FF	3m	1m		2000448485
70FF	1.5m	0.5m	(C) Flue bend kit (1 required)	438130
80FF	1.5m	0.5m		

NOTE: Max. flue length does not include flue bends.

1x90° bend



MODEL	MAX FLUE LENGTH (m)	X (MAX) (m)	DESCRIPTION OF PARTS REQUIRED	PART NUMBER
-------	---------------------	-------------	-------------------------------	-------------

30FF	2m	1.7m	(A) Terminal Pack	2000448486
40FF	3m	2.7m	(B) 1m Flue / Air Duct Kit or (B) 2m Flue / Air Duct Kit or (B) 3m Flue / Air Duct Kit	2000448490
50FF	3m	2.7m		2000448491
60FF	3m	2.7m		2000448485
70FF	2.5m	2.2m	(C) Flue Bend Kit (1 Required)	438130
80FF	2.5m	2.2m		

NOTE: Max. flue length does not include flue bend.

# WALL HUNG CAST IRON BOILER

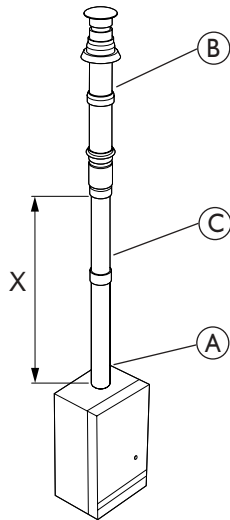
## ULTIMATE



### ULTIMATE 30FF - 80FF

#### VERTICAL FLUE OPTIONS

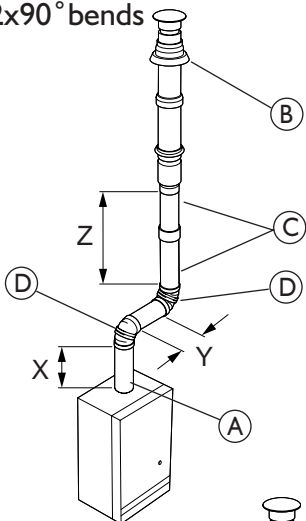
Straight



MODEL	MAX FLUE LENGTH (m) <b>X+Y+Z</b>	DESCRIPTION OF PARTS REQUIRED	PART NUMBER
30FF	3m	(A) Vertical Flue Kit	2000448451
40FF	3m	(B) Vertical Flue Terminal	2000448494
50FF	3m	(C) 1m Flue / Air Duct or	2000448490
60FF	3m	(C) 2m Flue / Air Duct or	2000448491
70FF	3m	(C) 3m Flue / Air Duct	2000448485
80FF	3m		

NOTE: Max. Flue Length does not include Terminal.  
X(Min.) = 39mm

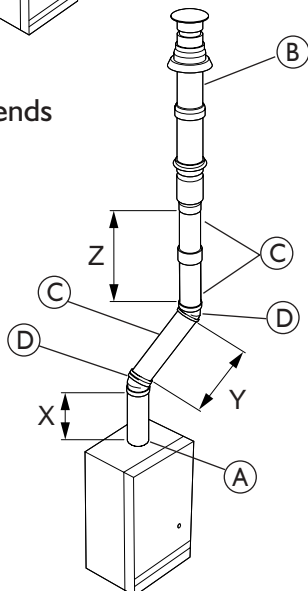
2x90° bends



MODEL	MAX FLUE LENGTH (m) <b>X+Y+Z</b>	DESCRIPTION OF PARTS REQUIRED	PART NUMBER
30FF	1m	(A) Vertical Flue Kit	2000448451
40FF	1.5m	(B) Vertical Flue Terminal	2000448494
50FF	1.5m	(C) 1m Flue / Air Duct or	2000448490
60FF	1.5m	(C) 2m Flue / Air Duct or	2000448491
70FF	1m	(C) 3m Flue / Air Duct	2000448485
80FF	1m	(D) Flue Bend Kit (2 Required)	438130

NOTE: Max. Flue Length does not include Terminal or Flue Bends.  
X(Min.) = 39mm  
Y(Max.) = 1000mm Y(Min.) = 0mm  
Z(Min.) = 0mm

2x45° bends



MODEL	MAX FLUE LENGTH (m) <b>X+Y+Z</b>	DESCRIPTION OF PARTS REQUIRED	PART NUMBER
30FF	1m	(A) Vertical Flue Kit	2000448451
40FF	3m	(B) Vertical Flue Terminal	2000448494
50FF	3m	(C) 1m Flue / Air Duct or	2000448490
60FF	3m	(C) 2m Flue / Air Duct or	2000448491
70FF	2m	(C) 3m Flue / Air Duct	2000448485
80FF	2m	(D) Flue Bend Kit (1 Required)	438130

NOTE: Max. Flue Length does not include Terminal or Flue Bends.  
X(Min.) = 39mm  
Y(Min.) = 0mm  
Z(Min.) = 0mm

# WALL HUNG CAST IRON BOILER

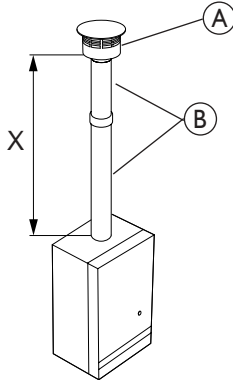
## ULTIMATE



### ULTIMATE 30FF - 80FF

#### EASI-VENT VERTICAL FLUE OPTIONS

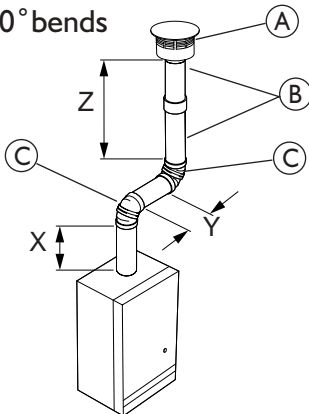
Straight



MODEL	MAX FLUE LENGTH (m) <b>X+Y+Z</b>	DESCRIPTION OF PARTS REQUIRED	PART NUMBER
30FF	3m	(A) Easi-Vent Vertical Flue Terminal Kit	2000448495
40FF	3m	(B) 1m Flue / Air Duct or (B) 2m Flue / Air Duct or (B) 3m Flue / Air Duct	2000448490
50FF	3m		2000448491
60FF	3m		2000448485
70FF	3m		
80FF	3m		

NOTE: Max. Flue Length does not include Terminal. (120mm High)  
X(Min.) = 500mm

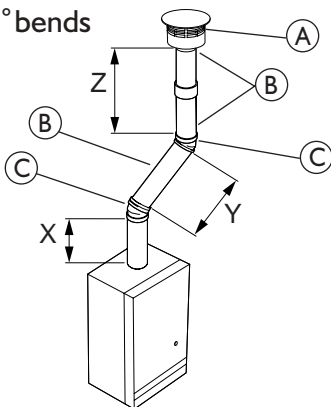
2x90° bends



30FF	1.5m	(A) Easi-Vent Vertical Flue Terminal Kit	2000448495
40FF	1.5m	(B) 1m Flue / Air Duct or (B) 2m Flue / Air Duct or (B) 3m Flue / Air Duct (C) Flue Bend Kit (2 Required)	2000448490
50FF	1.5m		2000448491
60FF	1.5m		2000448485
70FF	1.5m		438130
80FF	1.5m		

NOTE: Max. Flue Length does not include Terminal (120mm High) or Flue Bends.  
X(Min.) = 39mm  
Y(Min.) = 0mm, Y(Max.) = 1000mm  
Z(Min.) = 500mm

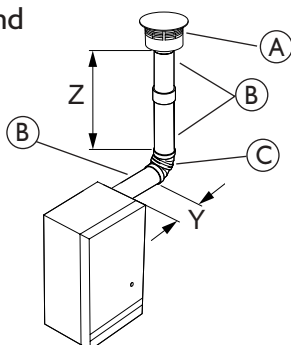
2x45° bends



30FF	3m	(A) Easi-Vent Vertical Flue Terminal Kit	2000448495
40FF	3m	(B) 1m Flue / Air Duct or (B) 2m Flue / Air Duct or (B) 3m Flue / Air Duct (C) Flue Bend Kit (1 Required)	2000448490
50FF	3m		2000448491
60FF	3m		2000448485
70FF	3m		438130
80FF	2m		

NOTE: Max. Flue Length does not include Terminal (120mm High) or Flue Bends.  
X(Min.) = 39mm  
Y(Min.) = 0mm  
Z(Min.) = 500mm

1x90° bend



30FF	1.5m	(A) Easi-Vent Vertical Flue Terminal Kit	2000448495
40FF	1.5m	(B) 1m Flue / Air Duct or (B) 2m Flue / Air Duct or (B) 3m Flue / Air Duct (C) Flue Bend Kit (1 Required)	2000448490
50FF	1.5m		2000448491
60FF	1.5m		2000448485
70FF	1.5m		438130
80FF	1.5m		

NOTE: Max. Flue Length does not include Terminal (120mm High) or Flue Bend.  
Y(Min.) = 39mm  
Z(Min.) = 500mm