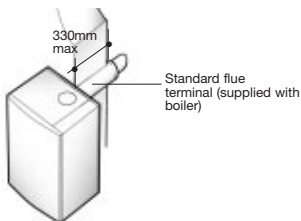


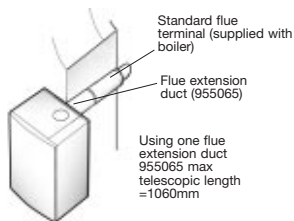
HORIZONTAL

Standard rear flue assembly



All appliances suitable for use on SEDUCT (except Hero 30)

Rear flue extension

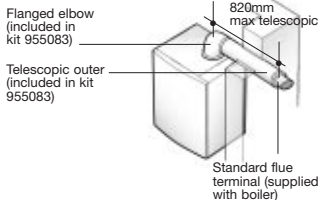


For additional extensions use flue extension duct 955065 – 767mm usable length
 Maximum allowable horizontal flue length =
 Hero 30 - 75 = 3000mm
 Hero 90 = 2000mm

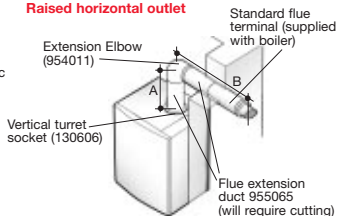
RAISED AND SIDE HORIZONTAL

Side outlet

Use Hero side fluing kit (955083) (kit 955080 is also suitable)

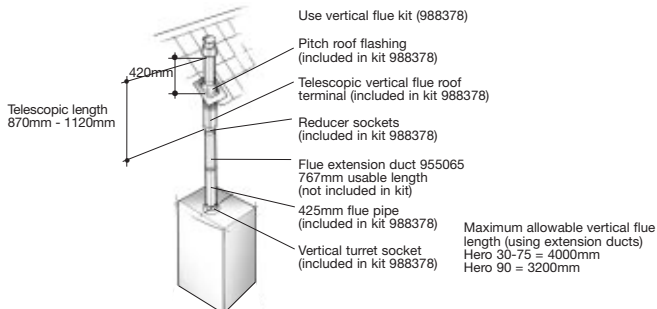


Raised horizontal outlet



For additional extensions use flue extension duct 955065 - 767mm usable length
 Maximum allowable horizontal or raised horizontal (A+B) flue length =
 Hero 30 - 75 = 3000mm
 Hero 90 = 2000mm

VERTICAL



If additional bends are used maximum length should be reduced accordingly (see page 15 for restrictive length)