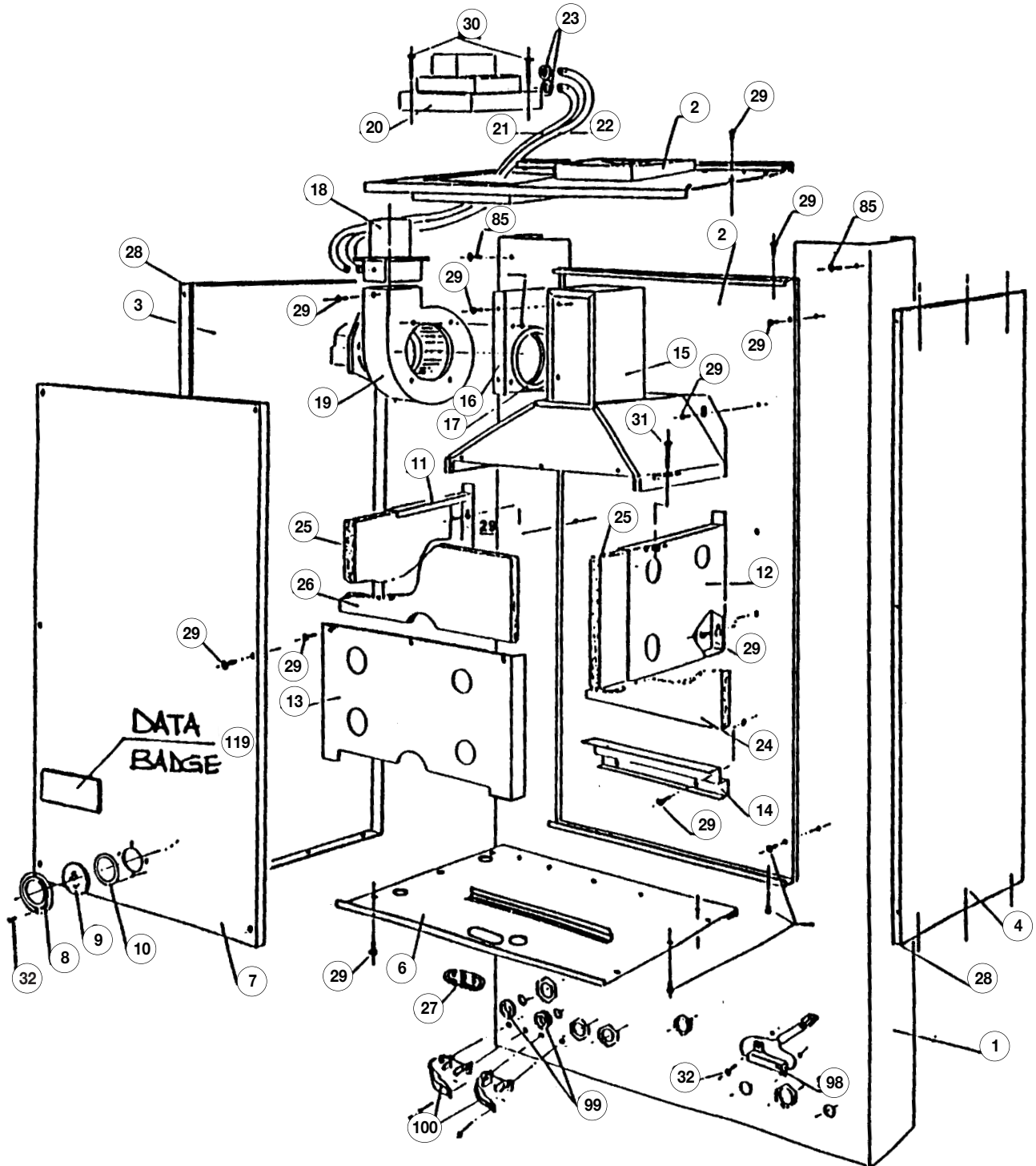
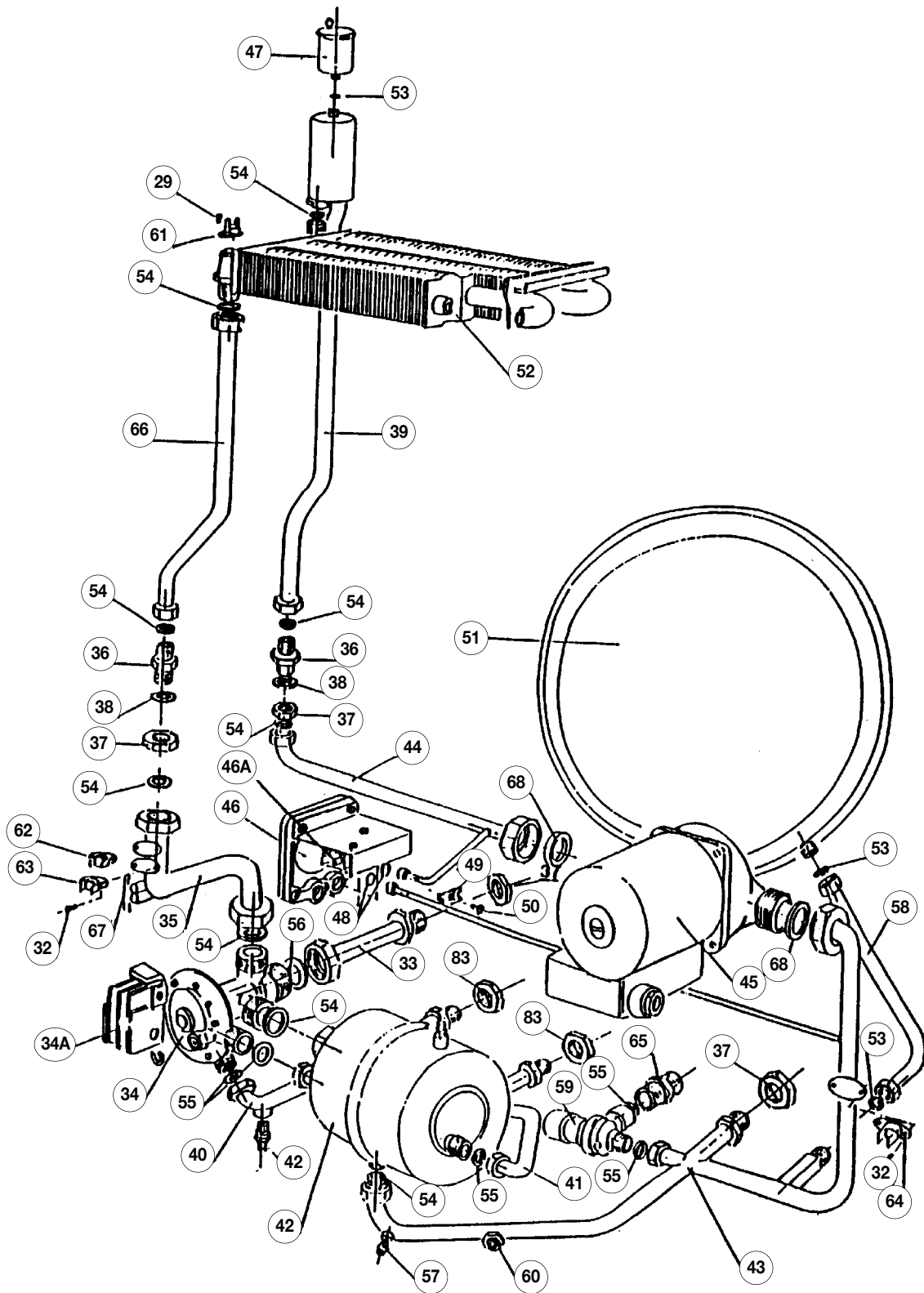


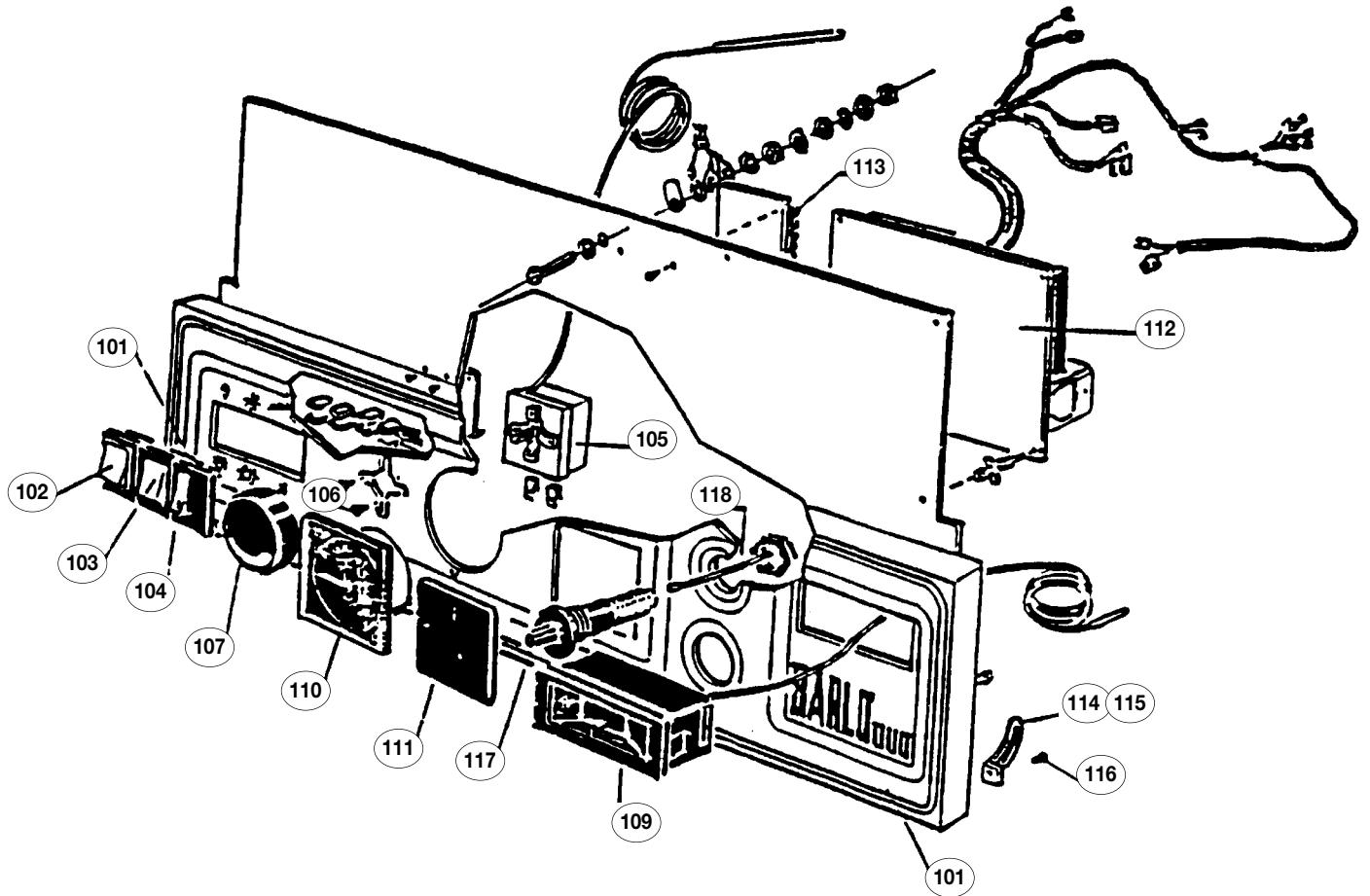
DUO
Main Body



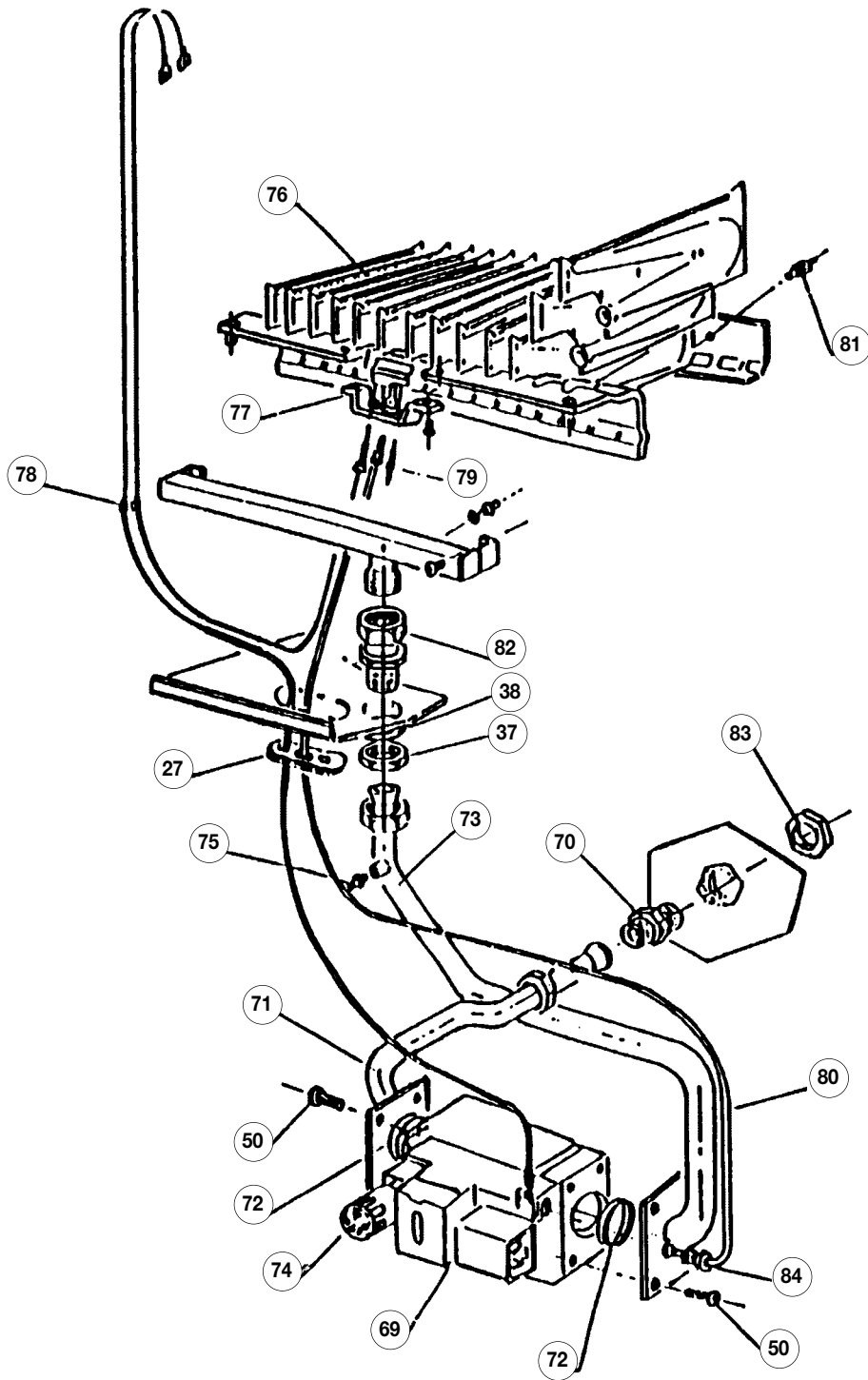
DUO
Water System



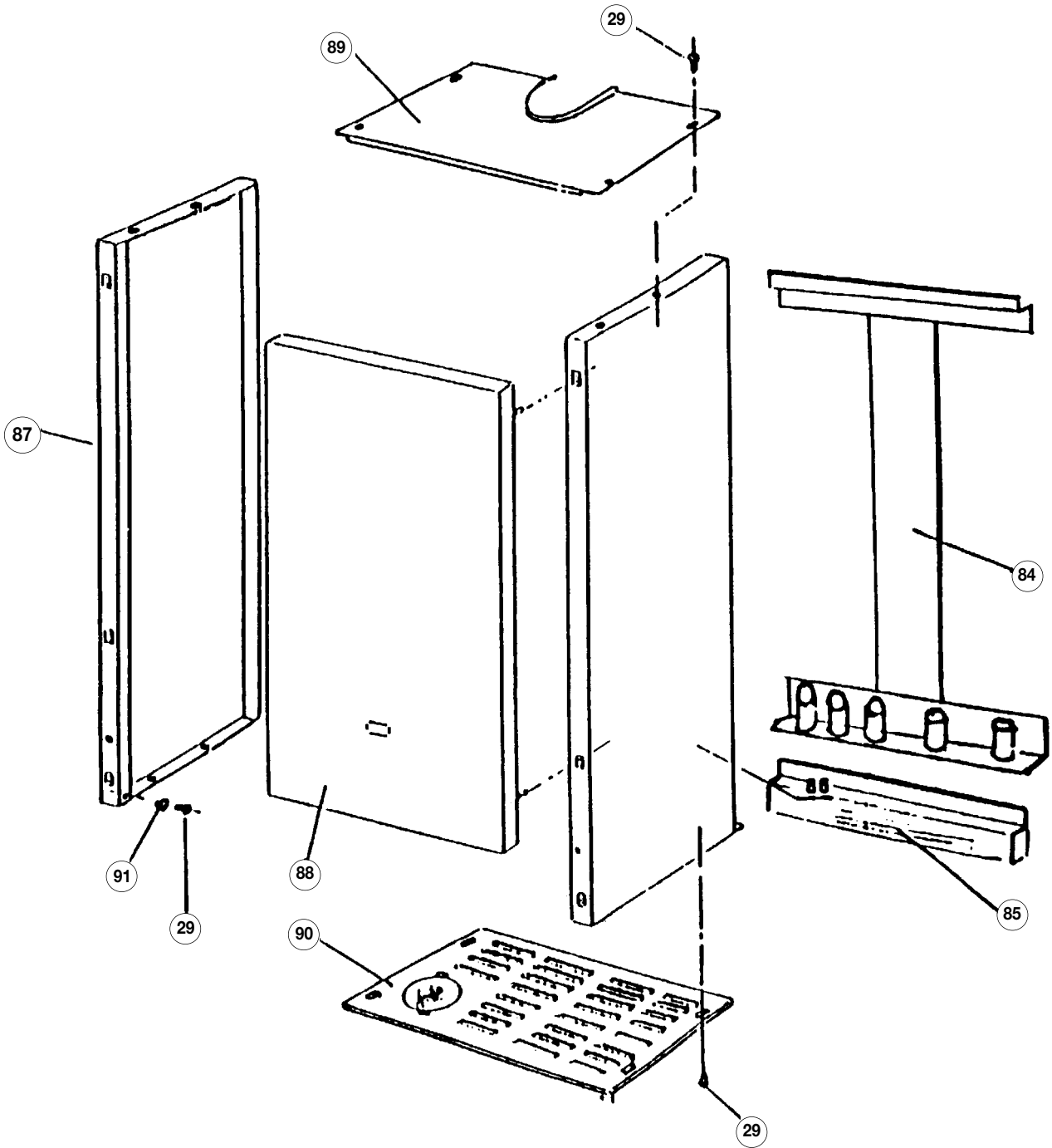
DUO
Controls



DUO
Gas System



DUO
Case Assy



DUO
Flue Assy

