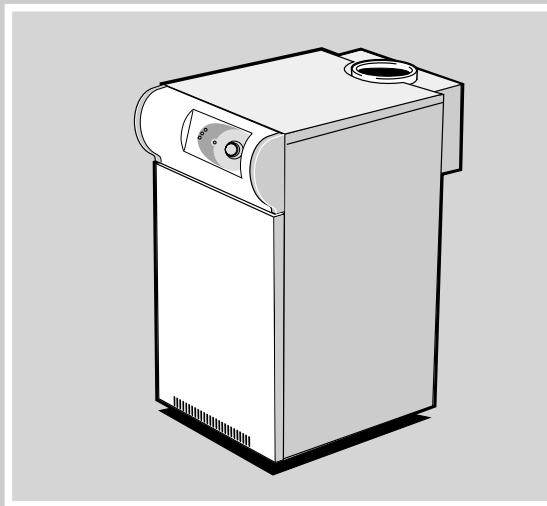


# THE IDEAL INSTALLATION & SERVICING MANUAL



*Concord*  
*CXA 40/H-120/H*

*i* BOILERS *Ideal*

## GENERAL

**Table 1- Performance Data**

Boiler		CXA 40/H	CXA 50/H	CXA 60/H	CXA 70/H	CXA 80/H	CXA 90/H	CXA 100/H	CXA 110/H	CXA 120/H
Number of Sections		3	4	4	5	5	6	6	7	7
Boiler Input	Gross									
	kW	48.3	60.3	72.4	84.5	96.5	108.6	120.7	132.7	144.8
	Btu/hr x 1000	164.7	205.8	247.0	288.2	329.3	370.5	411.7	452.8	494.0
	Nett									
	kW	43.5	54.3	65.2	76.1	87.0	97.8	108.7	119.6	130.4
	Btu/hr x 1000	148.3	185.4	222.5	259.6	296.7	333.8	370.9	408.0	445.0
Boiler Output	kW	40	50	60	70	80	90	100	110	120
	Btu/hr x 1000	136.5	170.6	204.7	238.8	273.0	307.1	341.2	375.3	409.4
Gas rate	m <sup>3</sup> /h	4.60	5.75	6.90	8.05	9.20	10.35	11.50	12.64	13.79
	ft <sup>3</sup> /h	162.4	203.0	243.6	284.2	324.8	365.4	406.0	446.6	487.1
Approx. flue gas volume	4.5% CO <sub>2</sub> & 100°C. m <sup>3</sup> /s	0.04	0.05	0.06	0.07	0.08	0.09	0.10	0.11	0.12
	4.5% CO <sub>2</sub> & 212°F. ft. <sup>3</sup> /m	85	106	127	148	170	191	212	233	254
Manifold setting pressure	mbar	9.7	9.8	10.2	10.0	9.3	9.6	10.7	11.1	12.1
	in.w.g.	3.9	3.9	4.1	4.0	3.7	3.8	4.3	4.4	4.8
Part load efficiency (Gross)	%	83.5	83.6	83.4	82.4	82.6	83.8	81.9	83.7	85.1
Seasonal efficiency (SEDBUK)*		[79.9]%	[79.9]%	[79.9]%	[79.9]%	[79.9]%	[79.9]%	[79.9]%	[79.9]%	[79.9]%

\* This value is in the UK government's Standard Assessment Procedure (SAP) for energy rating of dwellings. The test data from which it has been calculated has been certified by Advantica 0087.

**Note.** To obtain gas consumption in l/s, divide gross heat input in (kW) by a calorific value of 37.8 (MJ/m<sup>3</sup>).

**Table 2 - General Data**

Boiler		CXA 40/H	CXA 50/H	CXA 60/H	CXA 70/H	CXA 80/H	CXA 90/H	CXA 100/H	CXA110/H	CXA120/H
Number of sections		3	4	4	5	5	6	6	7	7
Flow tappings	Rc (in. BSP)	2 x 2 at rear								
Return tappings	Rc (in. BSP)	2 x 2 at rear								
Maximum static head metres (feet)		61 (200)								
Maximum pressure	bar (p.s.i.)	6.0 (87)								
Gas inlet connection	Rc (in. BSP)	3/4 (3/4)					1 (1)			
Minimum dynamic gas pressure required at the boiler inlet	mbar gauge	15.0	15.0	16.5	15.0	16.5	15.5	16.5	17.0	17.5
	(in.w.g.)	(6.0)	(6.0)	(6.6)	(6.0)	(6.6)	(6.2)	(6.6)	(6.8)	(7.0)
Electricity supply		230 Volts- single phase, 50 Hz, fuse 5 A								
Nominal flue size (to BS. 835)	mm	150	150	175	175	200	200	200	250	250
	(in.)	(6)	(6)	(7)	(7)	(8)	(8)	(8)	(10)	(10)
Diverter outlet socket internal diameter	mm	184	184	213	213	238	238	238	288	288
	(in.)	(7.3)	(7.3)	(8.4)	(8.4)	(9.4)	(9.4)	(9.4)	(11.3)	(11.3)
Length of burner bars (overall)	mm	377	497	497	617	617	737	737	857	857
	(in)	(14.8)	(19.5)	(19.5)	(24.3)	(24.3)	(29.0)	(29.0)	(33.7)	(33.7)
Main burner injectors( 3 off) size,	mm	3.4	3.82	4.12	4.57	4.86	5.2	5.3	5.5	56
Approximate dry weight	kg	210	265	265	330	330	395	395	490	490
	(lb.)	(463)	(584)	(584)	(727)	(727)	(871)	(871)	(1078)	(1078)
Water content	litre	22	30	30	37	37	45	45	53	53
	(gal.)	(4.8)	(6.6)	(6.6)	(8.2)	(8.2)	(9.9)	(9.9)	(11.7)	(11.7)

**CAUTION.** To avoid the possibility of injury during the installation, servicing or cleaning of this appliance care should be taken when handling edges of sheet steel components.

## CONTENTS

Air Supply .....	8
Boiler Assembly - exploded view .....	9
Boiler Clearances .....	5
Burner Assemblies - exploded views.	
CXA 40/H-80/H .....	22
CXA 90/H-120/H .....	22
Casing Assembly .....	19
Chimney System .....	8
Commissioning & Testing .....	17
Electrical Connections .....	13
Electrical Supply .....	8
Fault Finding .....	28
Gas Safety Regulations .....	3
Gas Supply .....	8
Hydraulic Resistance .....	5
Initial Lighting .....	17
Installation .....	9
Mandatory Requirements .....	7
Option Kits .....	4
Pump .....	6
Servicing .....	19
Short List of Parts .....	30
Site Assembled Boilers .....	26
Static Head Requirements .....	6
System Connections .....	11
Ventilation .....	8
Water Circulation .....	4
Water Connections .....	4
Water Treatment .....	6
Wiring Diagrams .....	14

## INTRODUCTION

### CONSTRUCTION

#### BOILER BODY

The sectional boiler body is of cast iron and is supplied assembled on a sheet steel combustion chamber with an integral draught diverter. The boiler can be supplied in sectioned form to special order for site assembly - refer to the section headed 'Instructions for Site Assembled Boilers'.

#### CASING

The casing is manufactured in stove enamelled sheet steel and is easily assembled on site.

#### BURNERS

The 3 burners are of stainless steel construction.

### Gas Safety (Installation and Use) Regulations or rules in force.

It is the law that **all** gas appliances are installed and serviced by a CORGI registered installer in accordance with the above regulations. Failure to install appliances correctly could lead to prosecution. It is in your own interest, and that of safety, to ensure that the law is complied with.

The **Concord CXA 40/H-120/H** range of boilers has been tested and certified by British Gas to prEN656 for use with **Natural gas only**.

### Multiple boiler installations

The **Concord CXA/H range** is certificated for use in multiple boiler installations, providing that the following conditions are satisfied.

1. A downdraught thermostat kit **MUST** be fitted to ALL boilers in the installation.
2. A maximum of 6 boilers may be used with a single flue header.
3. For clearances see Frame 2.

A comprehensive guide to multiple installations of Concord CXA/H boilers is available.

#### WARNING.

Failure to use a downdraught kit on every boiler in a multiple boiler installation will negate the certification of the installation and therefore contravene the essential requirements of the Gas Appliance Directive.

**Note. Concord CXA 40/H, CXA 50/H and CXA 60/H boilers are intended for use as COMMERCIAL BOILERS and are NOT certified for use in domestic applications. A domestic installation is defined as an installation where the boiler takes its combustion air from a living space or from a room directly or indirectly connected with the living space. It is important, therefore, that no external control devices - e.g. flue dampers, economisers etc., are directly connected to this appliance unless covered by these Installation and Servicing Instructions or otherwise recommended by Caradon Ideal Limited in writing. If in doubt, please enquire.**

**Any direct connection of a control device not approved by Caradon Ideal Limited could invalidate the British Gas Certification, the normal appliance warranty and could also infringe the Gas Safety Regulations. Table 1, Table 2 and the descriptive notes which follow contain all the essential data likely to be required by the installer.**

# GENERAL

## GAS CONTROLS

Control is by automatic ignition of intermittent pilot; once the presence of a flame has been proved the single (or double) main gas valves open to give full heat input. The mains voltage supply is via a terminal plug connection at the control box.

## ELECTRICAL CONTROLS

The boiler is supplied with 2 printed circuit boards; Board S4561B1054 is the ignition board containing the flame proving logic and the on-board spark generator. Board W4115A1020 contains the electronic thermostat and the pump overrun timer. A preset overheat thermostat is also fitted. The control box displays neons indicating boiler status as follows:

- Boiler on
- Lockout
- Overheat

A 4 minute anticycle delay is built in to the controls to prevent rapid cycling.

## FROST PROTECTION

Frost protection is incorporated in the boiler as long as there is a permanent live supply wired to terminal L1 on the terminal plug-in connection at the control box and the boiler thermostat knob is not switched to off.

If the temperature sensed by the boiler thermostat falls to about 5°C the boiler will fire until the temperature reaches 18°C. Note that this is designed to protect the boiler and may not necessarily protect the remote parts of the system.

## OPTION KITS

### Remote indication kit

This kit gives the facility of remote indication of the boiler status.

### Pressure gauge kit

In addition to the above control kit, an optional pressure gauge is also available for the range of boilers. Details for fitting are included with the pressure gauge.

### Downdraught thermostat kit

This kit is optional when used on a single CXA/H installation, but mandatory when used on a multiple boiler installation.

## DUTY

The range of boilers is suitable for: Combined indirect pumped domestic hot water **and** central heating systems; Independent indirect pumped domestic hot water **or** central heating systems.

Fully pumped systems may be open vented or sealed.

The range of boilers is NOT suitable for:

1. Gravity DHW systems.
2. Gravity heating systems.
3. Direct domestic hot water supply.

## WATER CIRCULATION SYSTEM

Due to the compact nature of the boiler the heat stored within the castings at the point of shutdown of the burner must be dissipated into the water circuit in order to avoid the overheat thermostat tripping. In order to allow pump operation after burner shutdown the boiler control box incorporates a pump overrun facility which operates for approximately 6 minutes after burner shutdown and, in order to make use of this, the pump must be wired to the appropriate terminal L2 (pump) in the boiler control box.

1. The minimum flow rate as given in Table 4 must be maintained whenever the boiler is firing and during the pump overrun period.
2. During the period of pump overrun there must be an open circuit of adequate water volume and/or load. The minimum size of this circuit is given by the use of Graph 1.

### Examples shown on Graph 1

- a. For the **CXA 90/H** and **CXA 100/H** the minimum circuit during pump overrun could be a load of 6 kW with a volume of 31 litres or any other combination given by the relevant line.
- b. For the **CXA 70/H** and **CXA 80/H** the minimum circuit during pump overrun could be a load of 2 kW with a volume of 45 litres or any other combination given by the relevant line.

## 1 WATER CONNECTIONS

Flow and return connections are 2" BSP.

A 1" BSP tapping is provided in the redundant return flange for the cold feed or expansion vessel connection.

### Safety Valve

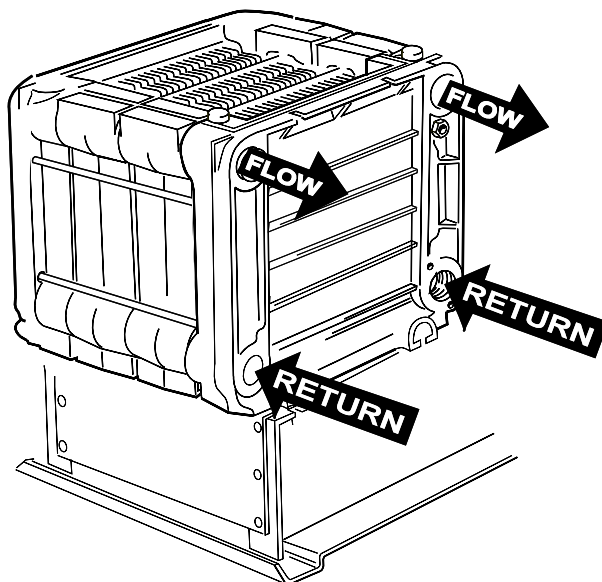
A safety valve must be sized and fitted in accordance with BS. 6644 for every type of system. The valve should be set at 0.7 bar (10 lb/in.<sup>2</sup>) above the operating pressure in the boiler. The maximum safety valve setting is 0.7 bar (10 lb/in.<sup>2</sup>) above the maximum design operating pressure of 6 bar (87 lb/in.<sup>2</sup>).

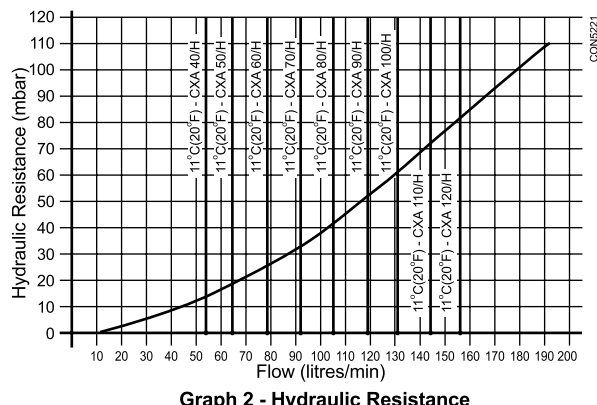
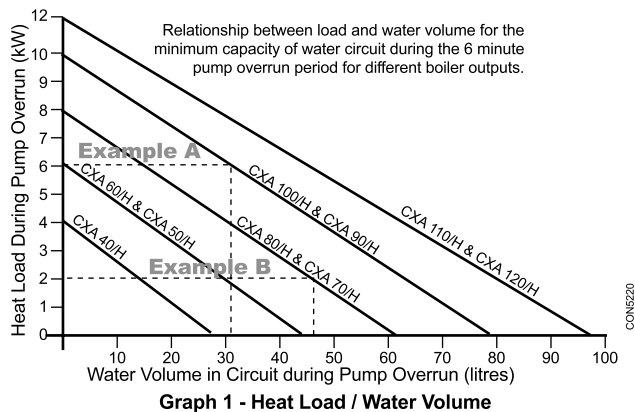
### Cold Feed/Open Vent

The independent cold feed and the open vent must comply with BS. 6644 and be of the following minimum size.

Boiler Size	Cold Feed	Open Vent
CXA 40/H - 50/H	3/4"	1"
CXA 60/H -120/H	1"	1 1/4"

Sealed system filling point - refer to Frame 8





## 2 CLEARANCES & DIMENSIONS

Table 3

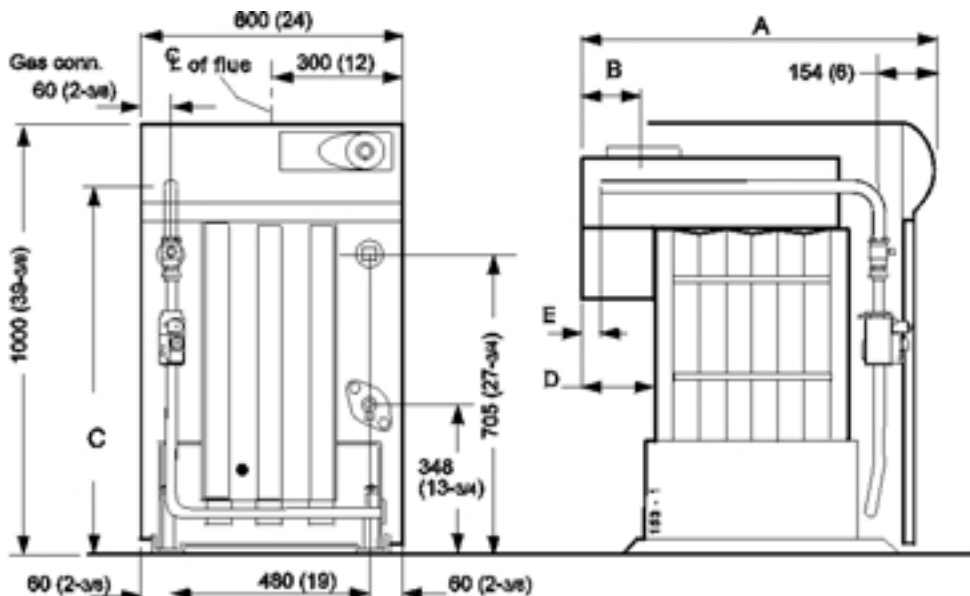
Boiler Size	CXA 40/H	CXA 50/H	CXA 60/H	CXA 70/H	CXA 80/H	CXA 90/H	CXA100/H	CXA110/H	CXA120/H	
No. of sections	3	4	4	5	5	6	6	7	7	
Front clearance mm (in)	750 (29 1/2)									
Rear clearance mm (in)	0	0	0	150 (6)	150 (6)	300 (12)	300 (12)	300 (12)	300 (12)	
Side clearance mm (in)	50 (2)	50 (2)	50 (2)	50 (2)	50 (2)	100 (4)	100 (4)	100 (4)	100 (4)	
Dimension A	mm	750	882	882	1042	1042	1212	1212	1385	1385
	in	29 1/2	34 3/4	34 3/4	41	41	47 3/4	47 3/4	54 1/2	54 1/2
Dimension B	mm	108	108	122	122	135	190	190	160	160
	in	4 1/4	4 1/4	4 7/8	4 7/8	5 3/8	7 1/2	7 1/2	6 1/4	6 1/4
Dimension C	mm	931	931	931	931	931	893	893	893	893
	in	36 5/8	36 5/8	36 5/8	35 7/8	35 7/8	34 3/8	34 3/8	35 3/16	35 3/16
Dimension D	mm	177	187	187	224	224	271	271	321	321
	in	7	7 3/8	7 3/8	8 7/8	8 7/8	10 5/8	10 5/8	12 5/8	12 5/8
Dimension E	mm	69	79	79	116	116	163	163	213	213
	in	2 3/4	3 1/8	3 1/8	4 5/8	4 5/8	6 1/2	6 1/2	8 3/8	8 3/8

### POSITION OF BOILER

Minimum clearances required from walls or other fixed objects to allow for the free access of combustion air are shown in Table 3 above.

However, for maintenance purposes we suggest a minimum rear clearance of 50mm.

Any combustible material adjacent to the boiler and its flue system must be so placed or shielded as to ensure that its temperature does not exceed 65°C (150 °F).



### MULTIPLE BOILER INSTALLATIONS

The minimum installation clearances must conform to the dimensions given below:

#### CXA 40/H, 50/H, 60/H, 70/H & 80/H

Clearance between boilers = 50mm  
Clearance at both ends of the multiple installation = 50mm\*

#### CXA 90/H, 100/H, 110/H & 120/H

Clearance between boilers = 100mm  
Clearance at both ends of the multiple installation = 100mm\*

**Rear clearance:** sufficient clearance should be given at the rear of the boiler for connection of gas and water pipework.

\*Additional clearance is required for access at either end of the installation.

## GENERAL

The above circuit capacity during pump overrun may be achieved either by provision of an adequate bypass circuit or by ensuring that a zone of suitable size is open for circulation during this period by relevant control of zone valves or pumps.

The wiring diagrams in Frames 17, 18 & 19 illustrate the control methods for achieving the above.

- Pump selection should take account of the hydraulic resistance given in Graph 2.

**Table 4 - Flow rates for fully pumped systems**

Boiler	Minimum flow rates for a temperature difference of 35°C (63°F)	
	l/s	g.p.m.
CXA 40/H	0.28	3.7
CXA 50/H	0.34	4.5
CXA 60/H	0.41	5.4
CXA 70/H	0.48	6.3
CXA 80/H	0.55	7.3
CXA 90/H	0.62	8.2
CXA 100/H	0.68	9
CXA 110/H	0.75	9.9
CXA 120/H	0.82	10.9

## PUMP POSITIONS

Whenever practically possible the circulating pump(s) should be positioned so that it pressurises the system being served. The vertical distance between the pump(s) and any cold feed and expansion cistern **MUST** comply with the pump manufacturers requirements in order to avoid cavitation. These requirements override the information given in Frame 3 if the static head required for the pump(s) exceeds that required for the boiler.

### MINIMUM FLOW OF WATER - Refer to Table 4

The system design must provide for an adequate flow rate through the boiler at all times when the boiler is firing. The minimum flow rate should correspond to a temperature difference across the boiler flow and return of 35 °C (63 °F), assessed at catalogue rating.

## WATER TREATMENT FOR HOT WATER AND HEATING BOILERS

There is a basic need to treat the water contained in all heating and indirect water systems, particularly open vented systems. It is assumed, incorrectly, that because boilers are operating in conjunction with what is apparently a closed circuit an open vented system will not, under normal circumstances, allow damage or loss of efficiency due to hardness salts and corrosion once the initial charge of water has been heated up a few times.

1mm of lime reduces the heat transfer from metal to water by 10%.

## 3 OPEN VENTED SYSTEMS - Minimum static head requirements

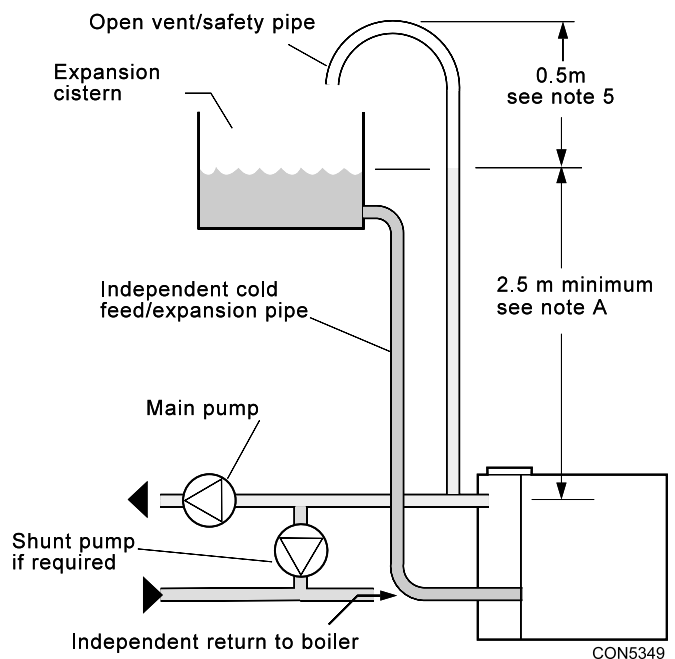
Particular reference should be made to BS. 6644: Section 2; Subsection 10 and Guidance note PM5 "Automatically controlled steam and hot water boilers" published by the Health and Safety Executive.

The information and guidance given below is not intended to override any requirements of either of the above publications or the requirements of the local authority, gas or water undertakings.

Other British Standards applicable are BS.5422 and BS.6700.

The information provided is based on the following assumptions:

- An independent open vent/safety pipe connection is made to the redundant boiler flow tapping or is positioned immediately after the system flow pipe connection to the header, as shown.
- An independent cold feed/expansion pipe connection is made to the redundant boiler return tapping. Cold feed/expansion pipe connections made to the pumped system return will result in an increase in the static head requirement, caused by the additional resistance of the distributor tube. Surging may also increase.
- The maximum flow rate through the boiler is based on a temperature difference of 11 °C at full boiler output and the circulating pump is positioned in the flow to the system.
- The boiler is at the highest point of circulation in the system. Systems designed to rise above the boiler flow tappings will automatically require a minimum static head higher than that shown.
- The position of the open vent/safety pipe above the expansion cistern water level is given as a guide only. The final position will depend upon the particular characteristics of the system. Pumping over of water into the expansion cistern must be avoided.



**Note A.** This minimum height must be increased, if necessary, to comply with the minimum head required by the pump manufacturer in order to avoid cavitation.

**Note B.** This diagram does not show safety valves, water flow switches, etc., necessary for the safe operation of the system.

# GENERAL

In practice the deposition of these salts is liable to cause noises from the boiler body or even premature boiler failure. Corrosion and the formation of black iron oxide sludge will ultimately result in premature radiator failure.

Open vented systems are not completely sealed from the atmosphere if proper venting and expansion of system water is to be achieved. The same tank is used to fill the system with water and it is through the cold feed pipe that system water expands into the tank when the boiler passes heat into the system. Conversely, when the system cools, water previously expelled is drawn back from the tank into the system together with a quantity of dissolved oxygen.

Even if leakage from the heating and hot water system is eliminated there will be evaporation losses from the surface of the tank which, depending upon ambient temperature, may be high enough to evaporate a large portion of the system water capacity over a full heating season.

There will always be corrosion within a heating or hot water system to a greater or lesser degree, irrespective of water characteristics, unless the initial fill water from the mains is treated. Even the water in closed systems will promote corrosion unless treated. For the reason stated, **Caradon Ideal Limited** strongly recommend that, when necessary, the system is thoroughly cleaned, prior to the use of stable inhibitor, which does not require continual topping up to combat the effects of hardness salts and corrosion on the heat exchangers of the boiler and associated systems.

**Caradon Ideal Limited** advise contact directly with specialists on water treatment such as:

Fernox Manufacturing Co. Ltd., or  
Tandem House,  
Marlowe Way,  
Croydon.  
Surrey CRO 4XS  
Tel 0870 601 5000

Sentinel Division  
Betz Dearborn Ltd.,  
Widnes,  
Cheshire, WA8 8UD  
Tel. 0151 424 5351.

## INSTALLATION REQUIREMENTS

The appliance must be installed by a CORGI registered installer. The installation of the boiler must be in accordance with the relevant

requirements of the Gas Safety Regulations, current I.E.E. (BS.7671) Regulations, Model Water Bye-laws, local water authority bye-laws and it should also comply with any relevant requirements of the local gas region, local authority and the relevant British Standard Codes of practice and building regulations.

### FOR SMALL PIPE INSTALLATIONS

BS. 6891; Installation of low pressure pipework

### FOR LARGE PIPE INSTALLATIONS

#### British Gas Publications

IM11: Flues for Commercial and Industrial Gas Fired Boilers and Air Heaters.

#### Gas Installations

IGE-UP-1: Purging Procedures of Non-domestic Gas Installations. Soundness Testing Procedures for Industrial and Commercial.

IGE-UP-2: Guidance notes on the Installation of Gas Pipework, Boosters and Compressors in Customer's Premises Equal to or Greater than 25mm (Non-domestic).

BS.6644: Installation of Gas Fired Hot Water Boilers 60kW to 2MW.

BS 6880 Pt 1-3: Water Supply.

CP342:2: Centralised Hot Water Supply.

#### Model Water Bye-laws

Manufacturers notes must not be taken, in any way, as overriding statutory obligations.

## FOUNDATION

The boiler must stand on a non-combustible floor (i.e. concrete or brick) which must be flat, level and of a suitable load bearing capacity to support the weight of the boiler (when filled with water) and any ancillary equipment.

If the boiler is mounted on a plinth then the dimensions must exceed the plan area of the boiler by at least 75mm on each side.

## 4 SEALED (PRESSURISED) SYSTEMS

### Working pressure 6 bar maximum.

Particular reference should be made to BS. 6644: Section 2; Subsection 11 and Guidance note PM5 "Automatically controlled steam and hot water boilers" published by the Health and Safety Executive.

The information and guidance given below is not intended to override any requirements of either of the above publications or the requirements of the local authority, gas or water undertakings.

In general commercial closed pressurised systems are provided with either manual or automatic water make up.

On both instances it will be necessary to fit automatic controls intended to protect the boiler, circulating system and ancillary equipment by shutting down the boiler plant if a potentially hazardous situation should arise.

Examples of such situations are low water level and operating pressure or excessive pressure within the system. Depending on circumstances, controls will need to be either manual or automatic reset. In the event of shutdown both visual and audible alarms may be necessary.

Pressure vessels used must comply with BS. 4814 and must be sized on the basis of the total system volume and initial charge pressure.

Initial minimum charge pressure should not be less than 0.5 bar (7.2 psi) and must take account of static head and specification of the pressurising equipment. The maximum water temperatures permissible at the point of minimum pressure in the system are specified in Guidance Note PM5.

When make-up water is not provided automatically it will be necessary to fit controls which shut down the plant in the event of the maximum system pressure approaching to within 0.35 bar (5 psi) of safety valve setting.

Other British Standards applicable to commercial sealed systems are:-

BS. 6880: Part 2.  
BS. 1212  
BS. 6281: Part 1  
BS. 6282: Part 1  
BS. 6283: Part 4

**VENTILATION**

Safe, efficient and trouble-free operation of open flued gas boilers is vitally dependent on the provision of an adequate supply of fresh air to the room in which the appliance is installed. Ventilation by grilles communicating to the outside air is required. The minimum free area and required positioning of these grilles must be in accordance with Tables 5 & 6.

**Table 5**  
**CXA 40/H-60/H boilers installed in a room or internal space**

Boiler size	Air vent free area cm <sup>2</sup>
40	202
50	247
60	304

This air vent shall be direct to outside air or to a room or internal space itself with an air vent to outside air of the same size.

**Table 6 - CXA 70/H-120/H boilers**

Total input rating of boilers	Position of air vents	Air vent areas (air direct from outside)
Up to 2 MW	HIGH LEVEL	270 cm <sup>2</sup> plus 2.25 cm <sup>2</sup> per kW input in excess of 60 kW total rated input
Up to 2 MW	LOW LEVEL	540 cm <sup>2</sup> plus 4.5 cm <sup>2</sup> per kW input in excess of 60 kW total rated input

Position ventilation grilles to avoid the risk of accidental obstruction by blockage or flooding. If further guidance on ventilation is required then consult BS.6644 and BS.5440:2.: 2000

**AIR SUPPLY BY MECHANICAL VENTILATION**

The supply of air by mechanical means to a space housing the boiler should be by mechanical inlet with natural or mechanical extraction. Mechanical extract ventilation with natural inlet must NOT be used.

Where a mechanical inlet and a mechanical extract system is applied, the design ventilation flow rates should be as in Table 4 of BS.6644.

The requirements for air supply by mechanical ventilation are given in BS.6644.

**Note.** For mechanical ventilation systems an automatic control should be provided to cause safety shutdown or lockout of the boiler(s) in the event of failure of air flow in either inlet or extract fans.

**IMPORTANT.** The use of an extractor fan in the same room as the boiler (or in an adjacent, communicating room) can, in certain conditions, adversely affect the safe operation of the boiler. Where such a fan is already fitted (or if it is intended to fit an extractor fan after installation of the appliance) the advice of the Gas Region should be obtained.

Tests for spillage of products from the draught diverter when the extractor fan is running and all doors and windows are shut should be carried out after installation. If spillage is detected, the area of permanent ventilation must be increased.

**CHIMNEY SYSTEM**

To ensure the safe and satisfactory operation of the boiler the chimney system (which may be common or individual, in the case of twin or multiple boiler installations) must be capable of the complete evacuation of combustion products at all times. The effective height of the chimney terminal(s) above the boiler outlet(s) must ensure sufficient buoyancy to overcome the resistance of the bends, tees and runs of the flue pipe involved and shall terminate in a down draught free zone. The number of bends and lengths of horizontal flue pipe used should be kept to a minimum in order to reduce gas flow resistance.

Compliance with the recommendations made in BS.6644, British Gas publication IM 11 'Flues for Commercial and Industrial Gas Fired Boilers and Air Heaters' and the 'Third Edition of the 1956 Clean Air Act Memorandum' should be strictly observed where applicable.

The chimney design should avoid the formation of excessive quantities of condensate. For this reason it is recommended that all chimneys are insulated and lined. In the case of brick or similar structures a stainless steel rigid or flexible flue liner (grade 304/316) may be used in conjunction with a 50 mm (minimum) thick layer of vermiculite or perlite granules between the liner and the inner skin of the chimney body. Liners should be sealed at both top and bottom.

As the **Concord CXA/H range** of boilers is supplied complete with an integral draught diverter, a diverter **MUST NOT** be fitted within the chimney system.

Drainage points positioned at the bottom of all vertical chimney sections should be provided. Drain pipes should be no less than 25 mm I.D., manufactured from acid condensate resistant material such as stainless steel and be positioned so that pipe runs and discharge points are not subject to the effects of frost and that flue gases cannot leak into the boiler room.

Care should be taken to ensure the specification of the chimney is suitable for the application by reference to the manufacturers literature. **Caradon Ideal Limited** can offer advice on the design of suitable chimney systems.

**GAS SUPPLY**

If there is any doubt regarding the capacity of the gas meter, the available gas pressure, the adequacy of existing service pipes or the size required for new service pipes then the advice of the gas region should be requested.

Installation pipework should be fitted and tested for gas soundness in accordance with BS. 6891;

IGE-UP-1 for small installations

IGE-UP-2 for large installations.

The local gas region must be consulted if it is necessary to employ a gas pressure booster.

**ELECTRICAL SUPPLY**

**WARNING.** This appliance must be efficiently earthed.

A 230 V - 50 Hz mains supply is required, fused at 5 amps.

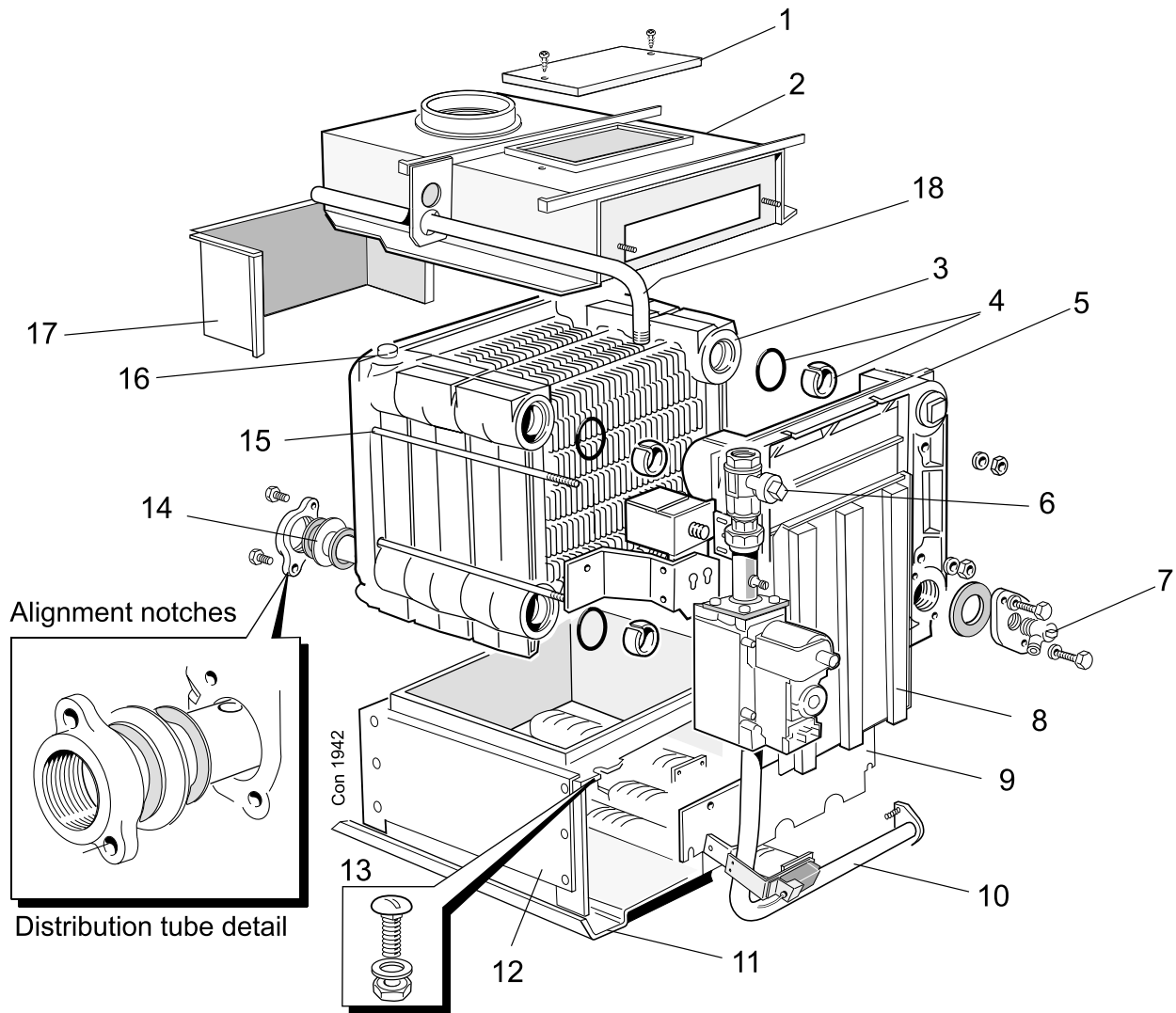
Wiring external to the appliance **MUST** be in accordance with the I.E.E. (BS. 7671) Wiring Regulations and any local regulations which apply.

For details of connections refer to Frame 14.



# INSTALLATION

## 5 CONCORD CXA/H BOILER ASSEMBLY - Exploded view



### Legend

- |  |                |                           |                       |
|--|----------------|---------------------------|-----------------------|
| 1. Cleanout cover                      | 7. Drain cock  | 10. Burner manifold assy. | 13. Section bolt      |
| 2. Collector hood                      | 8. NOx duct    | 11. Base plate            | 14. Distribution tube |
| 3. Middle section                      | 9. Front plate | 12. Combustion chamber    | 15. Tie rods          |
| 4. Section alignment rings & 'O' rings |                |                           | 16. Thermostat pocket |
| 5. End section                         |                |                           | 17. Spillage skirt    |
| 6. Gas cock                            |                |                           | 18. Gas pipe          |

## 6 PACKAGING

Check that all these packages are complete and have been correctly received on site.

Factory assembled boilers are despatched from the works as fully packaged units comprising:

1. Assembled boiler body (with distributor tube) on a wooden pallet base enclosed in a wooden crate.
2. Carton containing the casing, fastenings and flue brush.
3. Carton containing the installation pack and instruction books.
4. Carton containing the control box.

### CASING PACK contains:

- Front panel ..... 1 off
- Side panel ..... 2 off
- Top panel ..... 1 off
- Top support bracket ..... 2 off
- Flue brush ..... 1 off
- Casing hardware pack ... 1 off

### INSTALLATION HARDWARE PACK contains:

- M10 washer ..... 4 off
- Split pin ..... 1 off
- Strain relief bush ..... 1 off
- M10 x 25 Hex. Hd. screw ..... 2 off
- M10 x 35 Hex. Hd. screw ..... 2 off
- Gasket EPDM Type EP600 ..... 3 off
- Plug 2" taper Sq.Hd. .... 3 off
- Installation/Service instructions ..... 1 off
- User's instructions ..... 1 off
- Flange RC 1" ..... 1 off
- 2" BSP Flange (distributor tube) ..... 1 off
- 2" Installation pipe (handling bars) . 2 off
- Thermostat pockets ..... 2 off

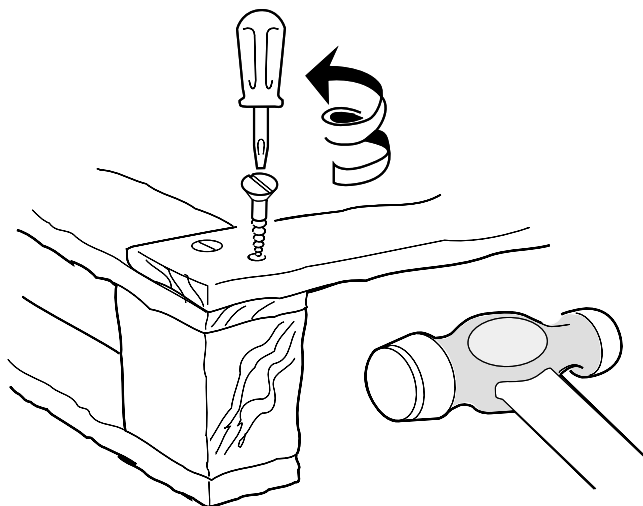
# INSTALLATION

## 7 PACKAGING AND BOILER REMOVAL

1. Remove the casing carton and outer packaging frame.
2. Remove the casing pack support frame.
3. Remove the distributor tube pack, controls package and installation pack.
4. Remove the 2" BSP steel handling bars from the installation pack.
5. Remove the 4 base bolts holding assembly to the packaging base.
6. Remove the wood screws securing the front cross member on the packaging base.
7. Remove the gas cock by unscrewing the union and screw in the handling bars into the 2 front tappings. *Protect the exposed inlet gas union from ingress of dirt.*
8. Knock out the front spacing blocks from the packaging base, ensuring that the boiler assembly is supported, using 2" BSP handling bars.

9. Using the handling bars, manoeuvre the boiler forwards on the packaging base and slide over collapsing base on to the floor.

**Note.** Before manoeuvring the boiler into its final position see Frame 8



## 8 BOILER ASSEMBLY

1. Fit the distributor tube (supplied with the boiler) into one of the return connection. That is one of the rear lower ports - refer to Frame 5.

Fit the flange, using the M10 x 35mm screws and washers provided.

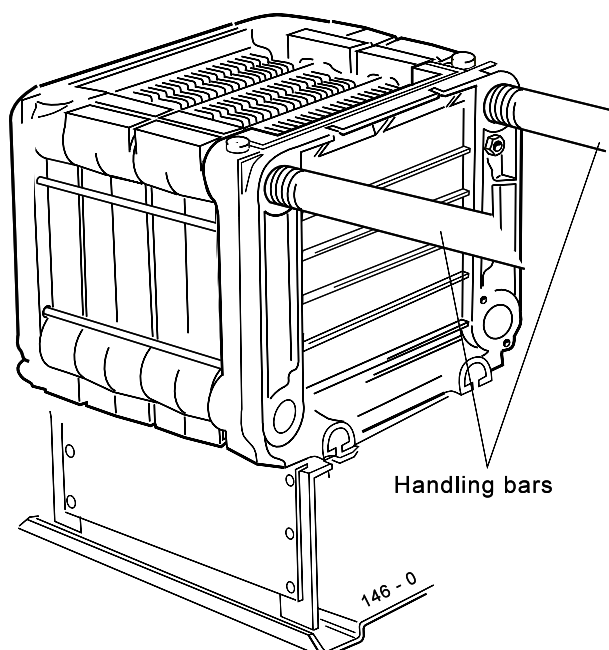
Ensure that the notch in the tube flange sits correctly into the groove on the section and that the 2 sealing gaskets are correctly assembled on the tube.

2. Fit the 1" tapped flange to the other lower rear connection, using the gasket and M10 x 25mm screws and washers provided.
3. Temporarily screw the 2 handling bars (2" pipe) into the top tappings and manoeuvre the boiler into position.
4. Complete the system connections, using suitable jointing compound, as follows:
  - a. The flow connection may be made to either of the rear top tappings (either at the same side as the return or opposite the return).  
To avoid air locks, any reduction in pipe size must be made in the vertical plane or achieved by using eccentric bushes.
  - b. The 1" tapping in the redundant return flange may be used for the cold feed on an open system or connection of a pressure vessel if on a sealed system.  
If not required for this purpose it should be plugged.

- c. Fit the 2 thermostat pockets. Refer to Frame 9.

**Note.** Frame 9 shows the relationship between the overheat thermostat and the flow tapping.

- d. Complete the water connections by plugging the 2 front top tappings with the 2" BSP plugs provided.



## 9 SYSTEM CONNECTIONS

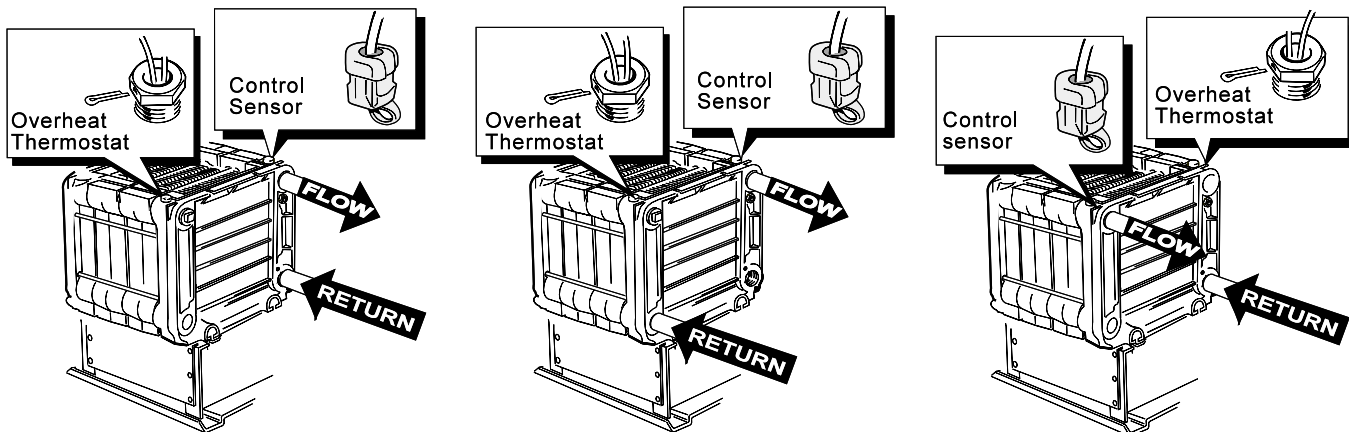
One flow and return connection should be made to the rear of the boiler - either on one side or opposite sides.

The distributor tube and gaskets, supplied with the boiler, must be connected into the pumped return connection. Refer to Frame 8.

Two thermostat pockets are supplied in the installation pack. These must be fitted in the 2 top 1/2" BSP tappings at either side of the rear of the heat exchanger.

Position the overheat thermostat phial into the thermostat pocket at the opposite side to the flow pipe. The illustrations below show the rear of the boiler with the flow and relative overheat thermostat positions.

Ensure that the overheat thermostat phial and control sensor are correctly secured in the pockets. Refer to Frame 13.

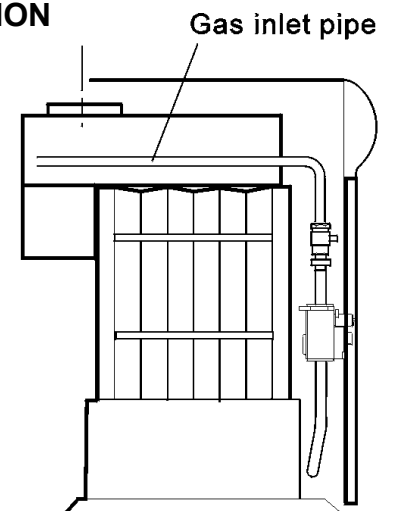


## 10 FLUE CONNECTION

1. Complete the flue connection.
2. The boiler is designed to accept flues to BS. 835 and should be sealed with an approved boiler putty.

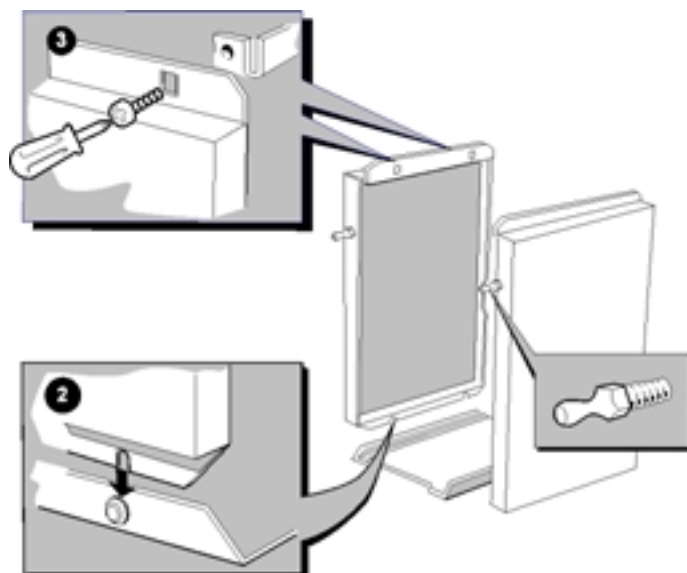
## 11 GAS CONNECTION

1. Connect the gas supply to the gas inlet pipe at the rear LH side of the boiler.
2. Table 2 gives details of the inlet connection size and the minimum working pressures.



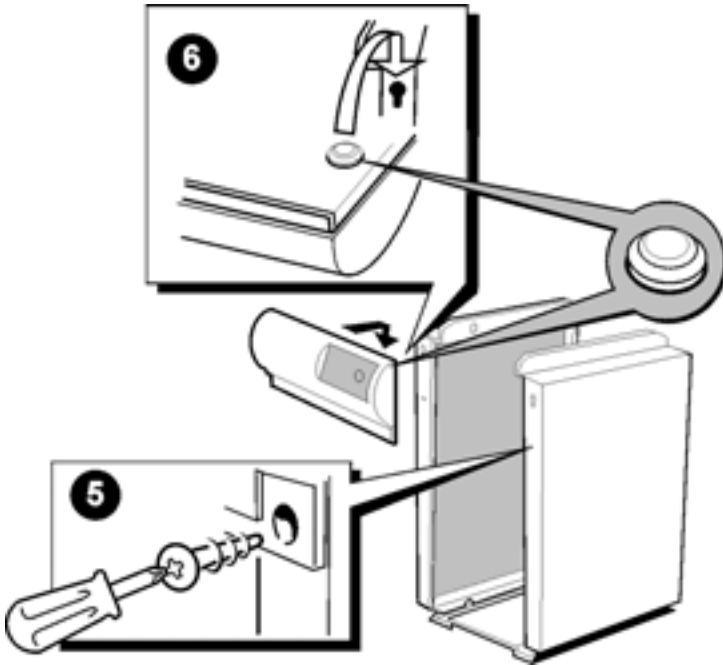
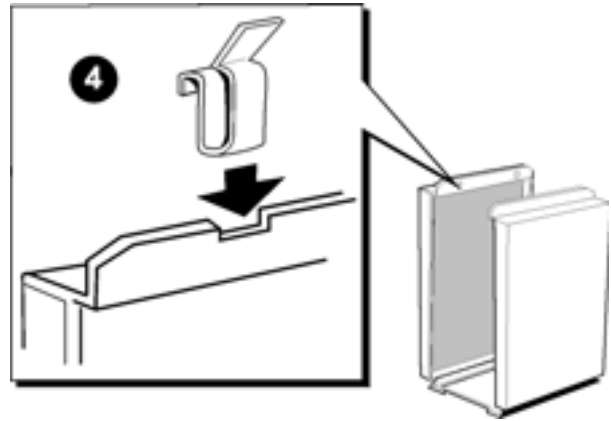
## 12 CASING ASSEMBLY

1. Unpack the control box from its carton and release the temperature sensing probe strapped to the back of the box. The boiler casing should now be fitted. A casing hardware pack contains all the screws required for assembly.
2. Slide the bottom of the side panels on to the location buttons on the base tray.
3. Screw the side panel to support angles. Repeat for the other side.

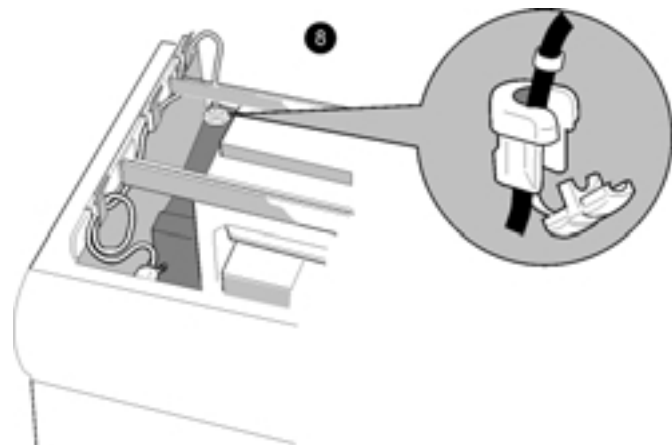
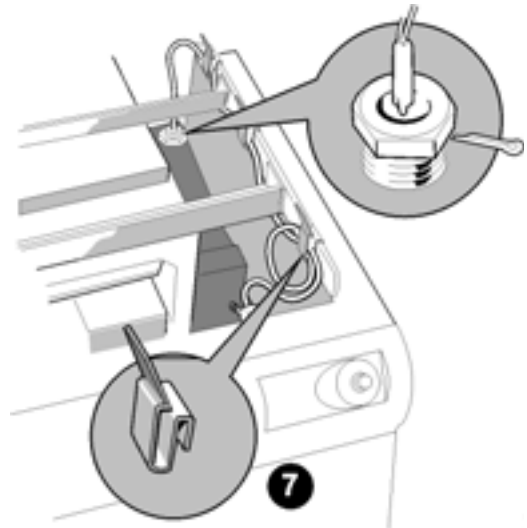


## 13 CASING ASSEMBLY (continued)

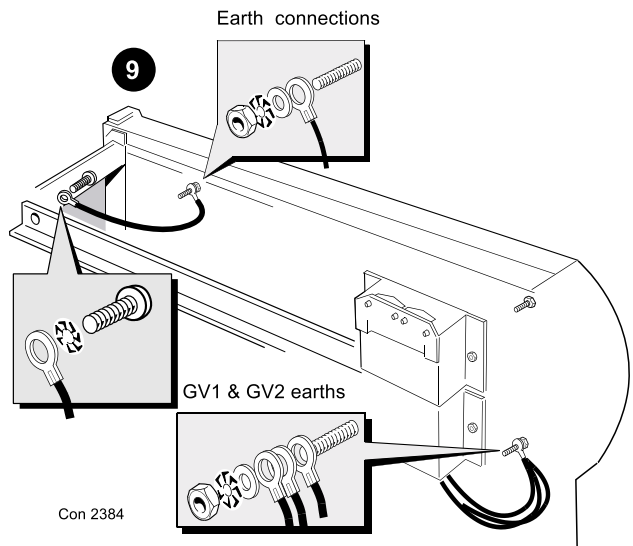
4. Fit 3 clips to the top of each side panel.
5. Fit the spire clips to the side casing panels.
6. Hook on the control box to the side panels. Screw in self tapping screws at the bottom of the control box to fix it to the side panels.



7. Route the overheat thermostat capillary through the cable clips as shown. Ensure the phial is correctly seated in the correct pocket opposite side to the flow connection. Refer to Frame 9. Secure with the split pin provided.
8. Route the temperature sensing probe through the cable clips provided and into the thermostat pocket adjacent to the flow connection.  
Fit the plastic Heyco bush over the sensor lead at the line shown and insert it into the thermostat pocket. Ensure that the Heyco bush is correctly located.



9. Fit the earth lead to the casing support angle as shown



# INSTALLATION

## 14 ELECTRICAL CONNECTIONS

Connection must be made in a way that allows complete isolation of the electrical supply - such as a double pole switch, having a 3mm (1/8") contact separation in both poles, or a plug and socket serving only the boiler and system controls. The means of isolation must be accessible to the user after installation.

This should serve only the boiler, together with its controls and pumps. The unswitched live supply, which the boiler requires to allow the pump overrun facility to operate, should be controlled by the above switched/fused supply, but should connect from there directly to the boiler and not via any automatic time or temperature controls.

The switched live supply should be subject to control by time and temperature controls in the usual way.

The controls incorporate a pump overrun facility, which is necessary to dissipate residual heat on plant shutdown. It is essential, therefore, that the main pump (and shunt pump if fitted) is wired to the pump terminals marked L2, N and Earth on the plug-in terminal strip on the top box at the rear of the control box.

The mains supply to the boiler must be wired to the boiler terminals L1, N and Earth on the plug-in terminal strip. This live connection must be unswitched, that is a supply not interrupted by any automatic temperature or time control, to enable the pump overrun (and the frost protection facility) to operate.

Failure to operate this procedure will result in nuisance overheat thermostat operation.

If the down draught flue thermostat is to be fitted then the link (marked TTB) should be removed from the plug-in connector.

The internal wiring of the boiler control box is shown in Frame 16.

Wiring should be in four core PVC insulated cable, not less than 0.75mm<sup>2</sup> (24/0.2mm). All fuses must be ASTA approved to BS. 1362.

The length of the conductors between the cord anchorage and the terminals must be such that the current carrying conductors become taut before the earthing conductor, if the cable or cord slips out of the cord anchorage.

The boiler can be controlled either by volt-free external contacts connected between terminals X1 and X2 or by a switched live supply brought to X2 (after removal of the factory-fitted link between X1 and X2), accompanied in each case by a permanent live supply to terminal L1.

If a separate frost thermostat is fitted it must be wired across the time switch contacts and if frost is likely the system should be turned off using the time switch settings - all other controls including the boiler thermostat knob should be in the normal running position.

**The earth connections MUST NEVER be omitted.**

Wire the earths as shown in Frames 13 and 16.

All wiring between entry at the rear of the boiler and the connection box must be secured neatly under the cable clips provided.

Wiring must never be allowed to come into contact with the hot boiler body.

Do not wire these connections in conduit up to the boiler as this will make it impossible to remove the control box for servicing or maintenance.

If fitted, a flow switch should be wired between F1 and F2 on the terminal plug in connector on the bottom box at the rear of the control box.

## 15 CONTROLS ASSEMBLY

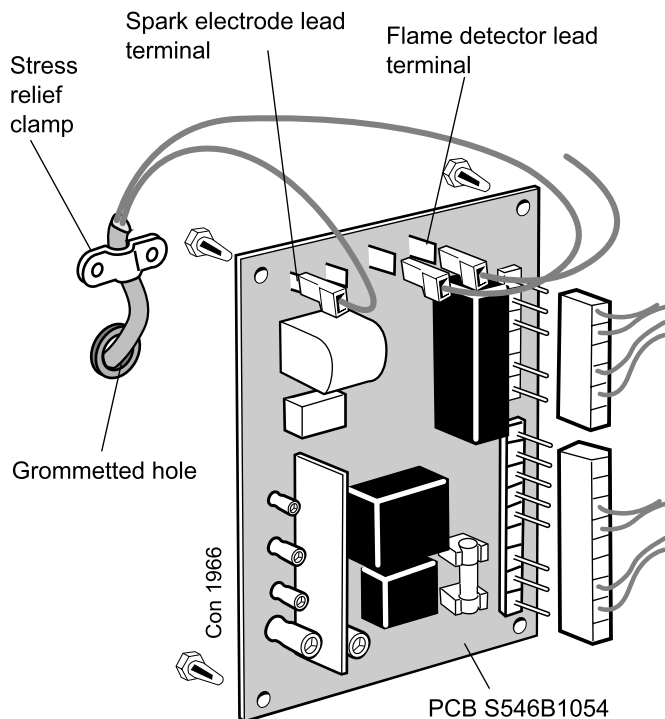
Remove the 2 screws from the box at the bottom of the control box back panel and push in the terminal plug-in connector containing the gas valve wiring harnesses; secure with the 2 screws.

Fit the earth terminals to the earth post at the left hand side of the control box back panel.

Undo the 2 screws securing the control box front panel and carefully lower it. Undo the stress relief clamp situated on the left hand side of the control box above the grommeted hole.

Free the sleeving containing the spark electrode lead and the flame detector lead and pass the terminals and sleeving through the grommeted hole; connect them to the appropriate terminals of the S4561B1054 PCB; refer to wiring diagram Frame 16.

Refit the stress relief clamp ensuring that the sleeving passes through the clamp before tightening.



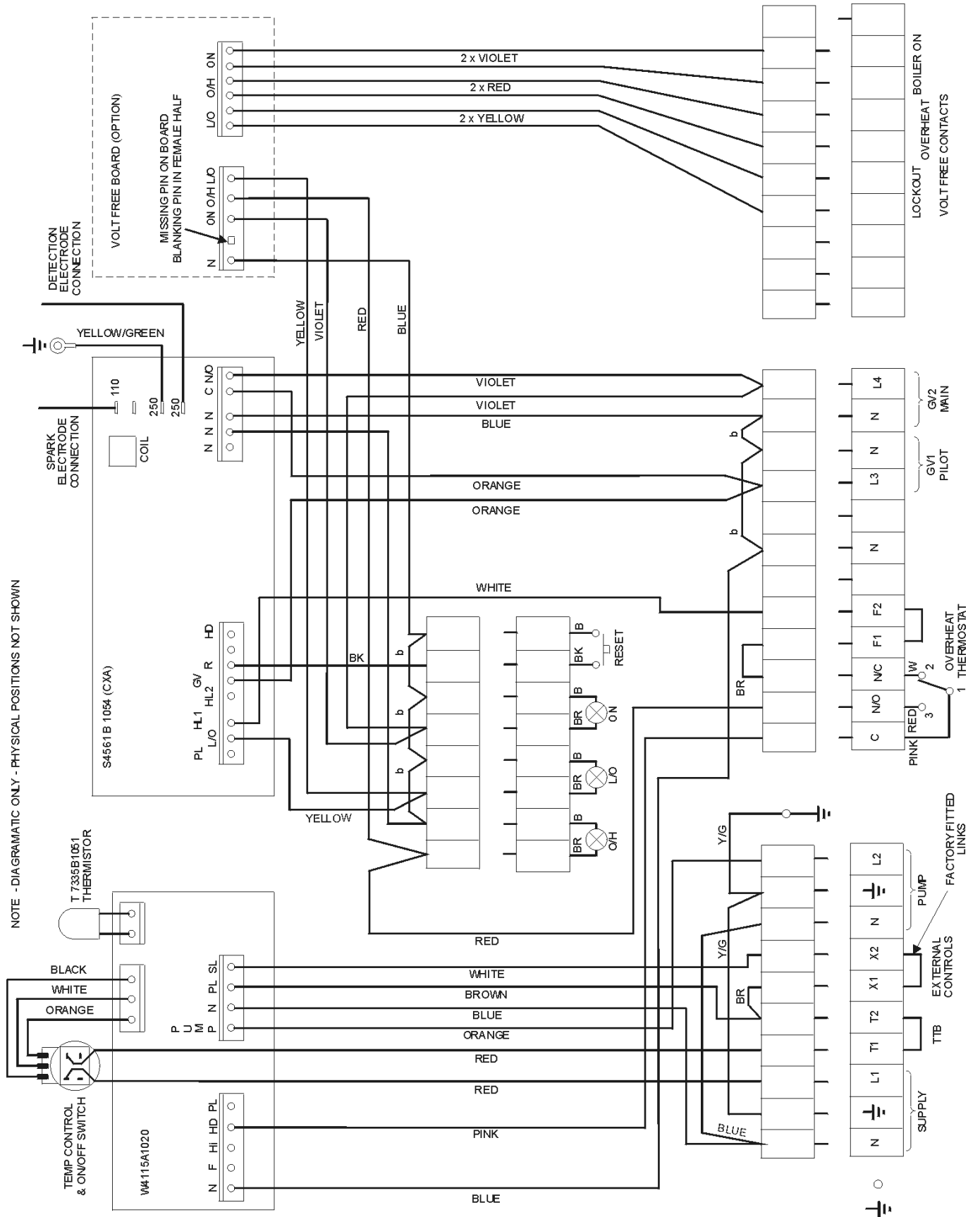
INSTALLATION

# INSTALLATION

## 16 INTERNAL WIRING

**LEGEND**

- |                 |                 |                 |                         |                 |
|-----------------|-----------------|-----------------|-------------------------|-----------------|
| <b>b</b> blue   | <b>br</b> brown | <b>y</b> yellow | <b>y/g</b> yellow/green | <b>v</b> violet |
| <b>bk</b> black | <b>r</b> red    | <b>w</b> white  | <b>or</b> orange        | <b>pk</b> pink  |



# INSTALLATION

## 17 ZONES WITH BI-DIRECTIONAL MOTORISED VALVES

### IMPORTANT

Terminal L2 may control the appropriate pump(s) directly, provided that the total running or starting current does not exceed 6A (resistive or inductive): if this rating would be exceeded then appropriate switchgear must be used to control the pumps indirectly.

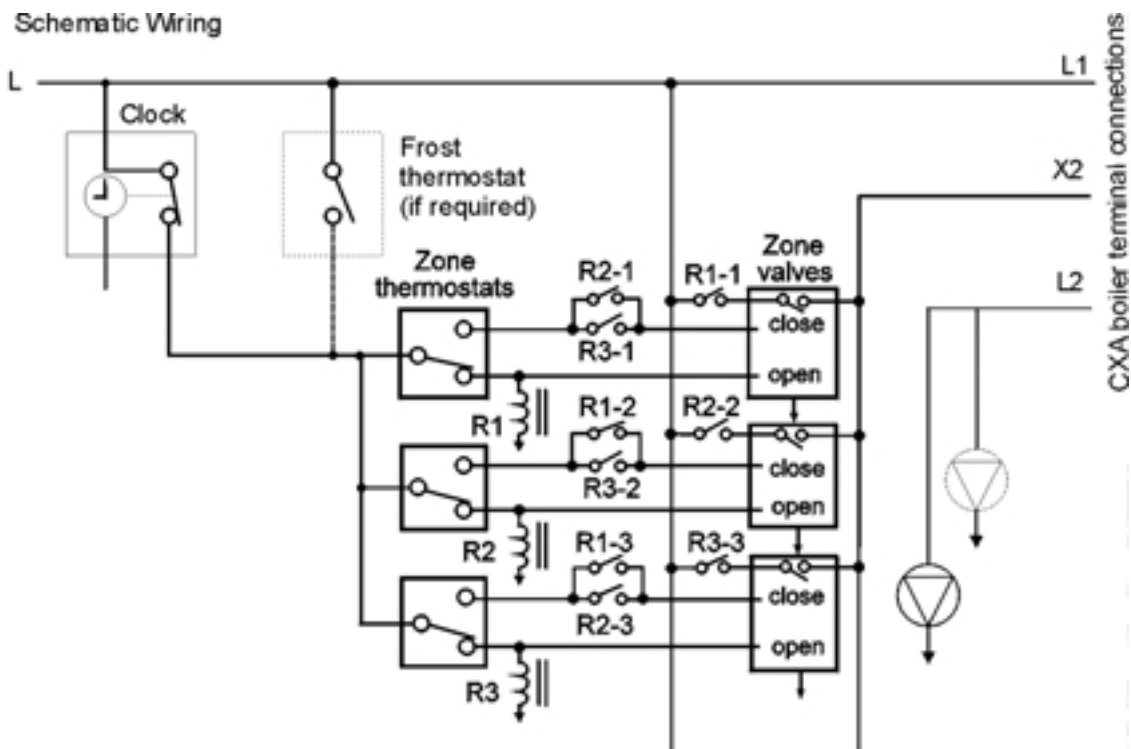
Three zones are illustrated but the principles may be extended as required, provided the above conditions are met. Each relay will then require as many contacts as there are zones.

### Overrun

Since any zone may be the load during overrun, all zones MUST individually be able to satisfy the conditions in the foregoing paragraph. If not all zones can do this then consider other means of control detailed on other sheets.

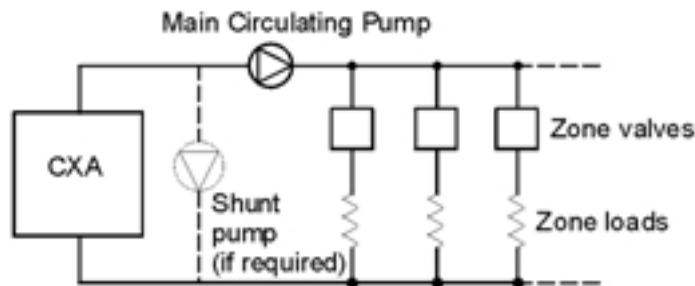
### Normal operation

When any thermostat is satisfied while others are calling for heat, power is available via relay contacts to close the valve for that zone. When all thermostats are satisfied (also when the clock period ends) all relays will be off, so the zone valves which were open will remain open for the pump overrun. At the start of the next call for heat (or the next clock period) valves on zones not calling for heat will motor shut.



NB. Contacts shown at room temperature with power off

### Pipework

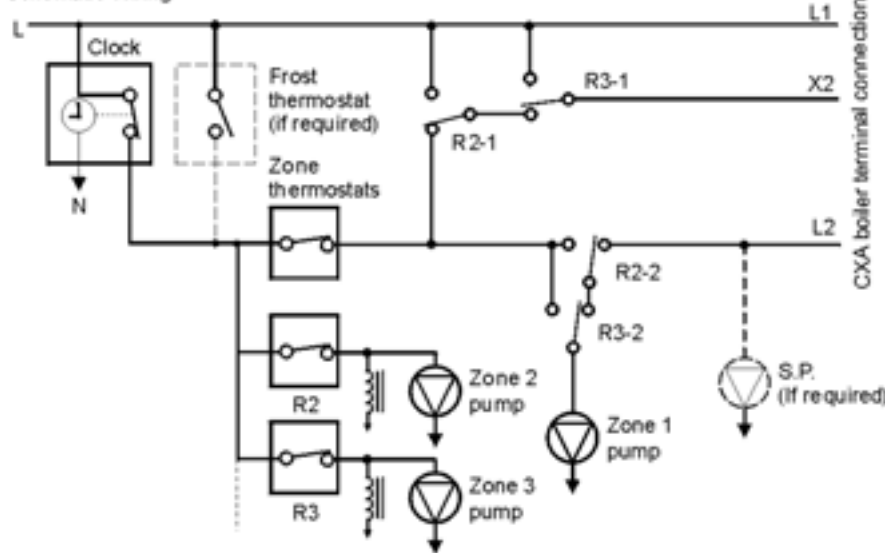




# INSTALLATION

## 18 ZONES WITH INDIVIDUALLY PUMPED ZONES (3 zones shown)

Schematic Wiring



### IMPORTANT

Terminal L2 may control the appropriate pump(s) directly, provided that the total running or starting current does not exceed 6A (resistive or inductive): if this rating would be exceeded then appropriate switchgear must be used to control the pumps indirectly.

Three zones are illustrated but the principles may be extended as required, provided the above conditions are met. For each zone (except Zone 1) a relay with 2 C/O contacts is required.

### Overrun

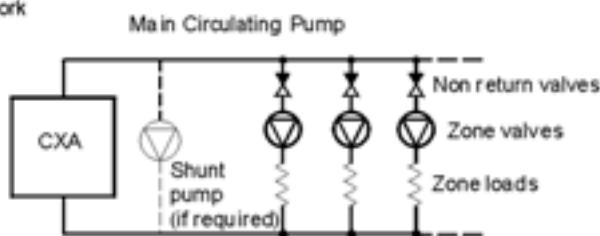
During overrun periods, Zone 1 pump performs the overrun facility; this zone, therefore, must satisfy the conditions in the foregoing paragraphs and Graph 1.

### Normal operation

During a call for heat on Zone 1 only, Zone 1 thermostat energises the boiler, which in turn energises Zone 1 pump from terminal L2.

During a call for heat on other zones, the appropriate relay directs power to L1 to energise the boiler, at the same time ensuring that Zone 1 pump is controlled by Zone 1 thermostat.

Pipework



## 19 ZONES WITH SPRING-RETURN MOTORISED VALVES

### IMPORTANT

Terminal L2 may control the appropriate pump(s) directly, provided that the total running or starting current does not exceed 6A (resistive or inductive): if this rating would be exceeded, then appropriate switchgear must be used to control the pumps indirectly.

Three zones are illustrated but the principles may be extended as required, provided the above conditions are met. Only one relay is required, irrespective of the number of zones.

### Overrun

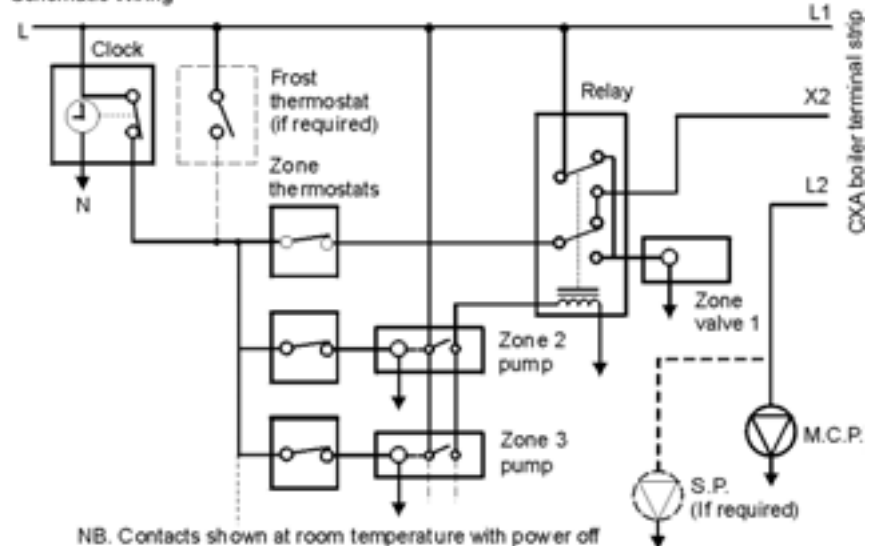
During overrun and dormant periods, Zone Valve 1 is held open. This zone, therefore, must satisfy the conditions in the foregoing paragraphs and Graph 1.

### Normal operation

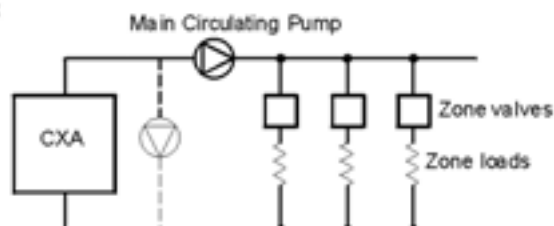
During a call for heat on Zone 1 only, the boiler energises via Zone 1 thermostat and the normally closed contacts of the relay.

During a call for heat on other zone(s), the relay will be energised by the auxiliary switch on the zone valves. This provides power to energise the boiler. If, in addition, Zone 1 now calls for heat, its thermostat will open Zone 1 valve via the normally open contacts of the relay.

Schematic Wiring



Pipework



When the clock period ends, Zone valve 1 will (stay) open via normally closed relay contacts to achieve pump overrun.



# INSTALLATION

## GENERAL

Check that all drain cocks are closed, that any stop valves fitted to the flow and return pipes are open and that the system has been filled and properly vented.

## PURGING

Check that the electricity supply is switched OFF.

Remove the casing lower front panel.

Extinguish all naked lights and open all doors and windows. **DO NOT SMOKE.** Check that the gas supply is turned ON at the meter and open the main gas inlet cock. Loosen the union and allow air to be purged from the gas line until gas is smelled. Refer to BS 6891 or IGE-UP-1 for further details. Retighten the union.

## TESTING FOR GAS SOUNDNESS

Close the gas supply cock at the meter.

Remove the screw in the inlet pressure test point (Frames 21/22) and connect a gas pressure gauge to the test point. Take particular care to ensure a gastight connection. Open the gas supply cock at the meter and the appliance gas cock; record the static pressure. Next, close the gas supply cock at the meter. Wait for 1 minute for temperature stabilisation then observe the pressure gauge over a period of 2 minutes.

Any leaks must be cured.

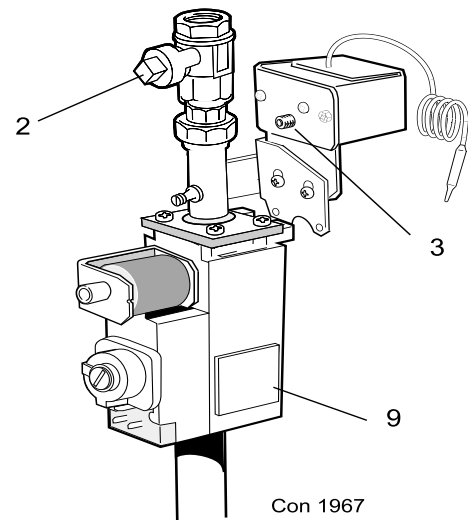
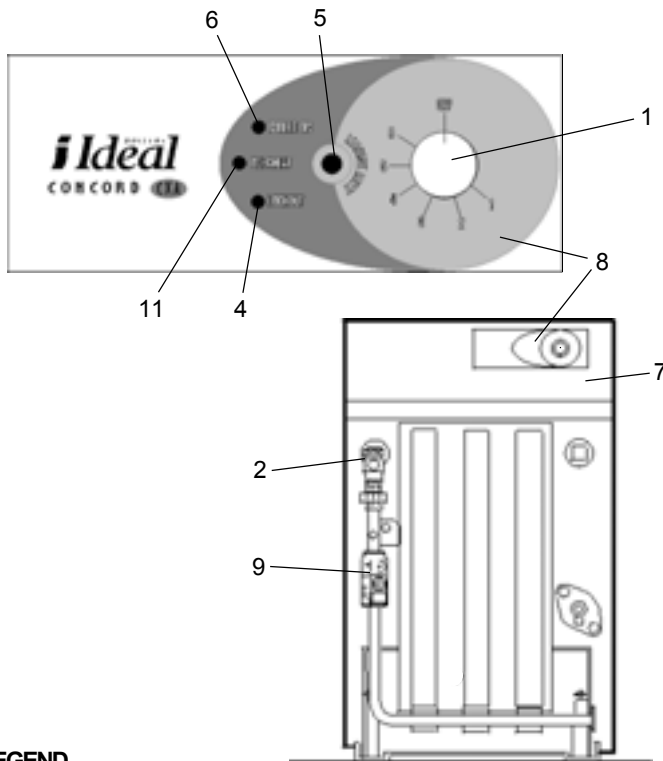
Replace all pressure test point screws.

## 21 INITIAL LIGHTING

1. Check that the boiler thermostat knob on the control box is OFF.
2. Ensure that the main gas inlet cock is open (groove in the square head in line with the pipe).
3. Press in the overheat reset button.
4. Switch on the electrical supply to the boiler.
5. Turn the boiler thermostat knob on the control panel to number 6.
6. If the boiler does not light at the end of its ignition period, the

lockout light will be illuminated. Press in and release the lockout reset button on the control box. The controls will reset and after a period of time will attempt to relight.

7. Once the pilot has lit, the controls will open the main gas valves and the main burners will light. The burner on light will be illuminated.
8. When the boiler has lit, check all connections for tightness using leak detection fluid.
9. Set the boiler thermostat knob to the required setting.
10. Turn off the electrical supply to the boiler at the mains.



### LEGEND

- |                                     |                         |  |
|-------------------------------------|-------------------------|--|
| 1. Thermostat knob                  | 4. Lockout light        | 8. Control panel                       |
| 2. Main gas inlet cock              | 5. Lockout reset button | 9. Main gas control valve              |
| 3. Overheat thermostat reset button | 6. Burner on light      | 10. Manifold pressure setting adjuster |
|                                     | 7. Control box          | 11. Overheat light                     |

## 22 GAS PRESSURE

### MANIFOLD PRESSURE

The manifold setting pressure must now be checked and adjusted as necessary.

Start the adjustment procedure with the system cold, on full load and with all temperature controls set to maximum to avoid thermostatic shutdown. Remove the blanking screw in the manifold setting pressure test point and connect a suitable gas pressure gauge.

Turn on the electrical supply light the boiler and let it operate for about 10 minutes to stabilise the burners. Check the pressure and if necessary adjust it as follows:

#### CXA 40/H-80/H boilers:

The location of the manifold pressure adjuster on the gas valve is shown in Frame 21. Remove the dust cover and, using a screwdriver, turn the screw clockwise to increase or anti clockwise to decrease the pressure, until it is set to the value in Table 1.

#### CXA 90/H and 100/H boiler:

The setting procedure must be done in 2 steps. The location of the manifold pressure adjuster on the gas controls is shown in Frame 21. Unscrew the bottom electrical plug on the LH gas valve and pull it off. Remove the dust cover and set the adjuster on the RH gas valve to the value given in Table 7. Refit the gas valve electrical plug then set the adjuster on the LH gas valve to give the burner pressure given in Table 7.

Failure to follow this procedure may result in the correct burner pressure being set but the 2 gas valve governors not working correctly.

#### CXA 110/H and 120/H boilers:

The setting procedure must be done in 2 steps. The location of the manifold pressure adjuster on the gas controls is shown in Frame 21. Remove the dust cover and, using a screwdriver, screw in the adjuster on the LH valve nearly fully. Set the adjuster on the RH gas valve until the manifold pressure is at the value given in Table 7. Unscrew the LH gas valve adjuster until the manifold pressure falls then screw it in again until the pressure is set at the value given in Table 7.

Failure to follow this procedure may result in the correct burner pressure being set but the 2 gas valve governors not working correctly.

**Table 7 - Manifold gas pressure settings**

Boiler	RH valve adjustment pressure mbar	LH valve (and final) adjustment pressure mbar
CXA 90/H	9.0	9.6
CXA 100/H	10.0	10.7
CXA 110/H	11.6	11.1
CXA 120/H	12.6	12.1

At the end of the adjustment procedure replace the dust covers, disconnect the gas pressure gauge and replace the blanking screw in the manifold pressure test point.

The gas rate for each size of boiler is given in Table 1 on page 4.

## 23 SPILLAGE CHECK

Check there is no spillage of combustion products from the boiler draught diverter by carrying out a spillage test, as detailed in BS. 5440:1.

## 25 ADJUSTMENT OF WATER FLOW RATE THROUGH THE BOILER

When commissioning the heating/domestic hot water system the shunt pump must be adjusted to give the minimum flow rate given in Table 4, when that part of the system intended to be used for dissipation of residual heat only is in operation.

## 24 TESTING

Check that the main burner responds correctly to manual on/off operations of any controls fitted in the gas control circuit. Check, in the following manner, the operation of the flame failure safety device:

1. Extinguish the main burner and pilot burner by turning off the main gas inlet cock.
2. The controls will go to lockout almost immediately and the lockout light on the control panel will light.
3. Turn the gas cock again, and press in and release the lockout reset button on the control box. After a period of time the controls reset the boiler and it will relight.
4. Complete the commissioning section of the boiler log book.

## 26 HANDING OVER

### ROUTINE OPERATION

Full instructions covering routine lighting and operation of the boiler are given on the Lighting and Operation Instruction Label located on the inside of the casing door.

Draw the attention of the boiler owner or his representative to the Lighting and Operating Instruction Label on the inside of the casing door. Give a practical demonstration of the lighting and shutting down of the boiler.

Describe the function of the boiler and system controls and show how they are adjusted and used.

Describe the function of the downdraught thermostat if fitted.

Hand these Installation and Servicing Instructions, User's Instructions and Log book to the customer and request him to keep them in a safe place for ready reference

**IMPORTANT.** Point out to the owner that the boiler must have regular maintenance and cleaning, at least annually, in order to ensure reliable and efficient operation. Regular attention will also prolong the life of the boiler and should preferably be performed at the end of the heating season.

After servicing complete the service section of the log book and return to the owner or their representative.

Recommend that a contract for this work should be made with the regional gas authority or a CORGI registered heating installer.

## 27 SERVICING

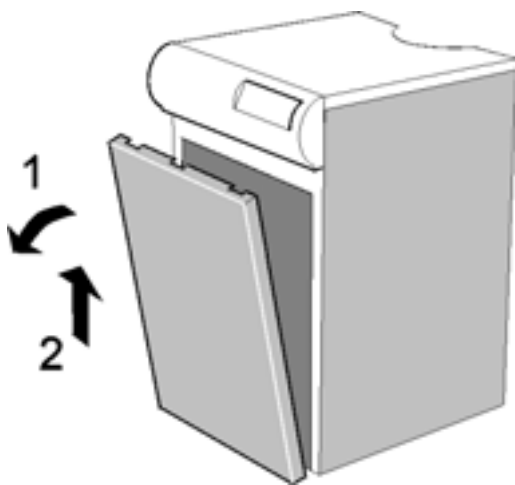
**Caradon Ideal Limited** does not accept any liability resulting from the use of unauthorised parts or the repair and servicing of appliances not carried out in accordance with the Company's recommendations and specifications.

A comprehensive service should be carried out at least once a year. The User is advised to make a contract with the local Gas Region or a CORGI registered heating installer.

**WARNING.** ALWAYS turn OFF the gas supply at the gas cock and switch OFF and disconnect the electricity supply to the appliance BEFORE SERVICING OR REPLACING ANY COMPONENTS.

### CLEANING THE BOILER. Refer to Frame 5

Pull and lift off the lower front panel and top panel from the boiler casing.



Unscrew the extended nuts at the top of the NOx duct behind the control box and lift the NOx duct clear of the burners as illustrated below.

Undo the 4 wing nuts securing the burner front plate. Pull the front plate forwards, at the top, and lift it out - taking care not to damage the insulation.

The centre and RH burners can be lifted out after they have been pushed back to clear the injector.

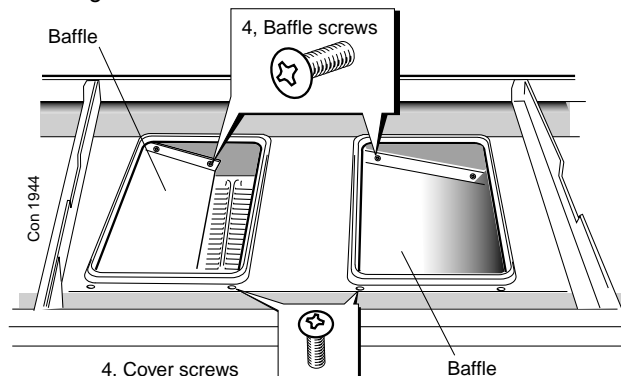
To remove LH burner the pilot gas pipe connection at the gas valve must be removed. The LH burner may now be removed by pushing it back to clear the injector and lifting it out. To remove it away from the boiler, the flame detector lead and spark lead must be disconnected in the control box.

Remove the 2 screws securing the control box door, lift it and carefully drop it down. Pull off the flame detector lead and the spark electrode lead connections from the S4561B1054 PCB (the left hand board). Undo the strain relief clamp and feed the sleeved leads out of the box. The burner can now be fully removed from the boiler.

Undo the screws securing the clean out cover and lift it off to give access to the flue ways.

### (CXA 120/H boiler only)

Remove four M5 securing screws retaining internal turning baffles from side of collector hood. Slide turning baffles to rear of collector hood void to facilitate access to flue ways for cleaning.



Remove all loose deposits from the heat exchanger, especially from between the fins, using the brush provided, and remove all debris from the combustion chamber floor.

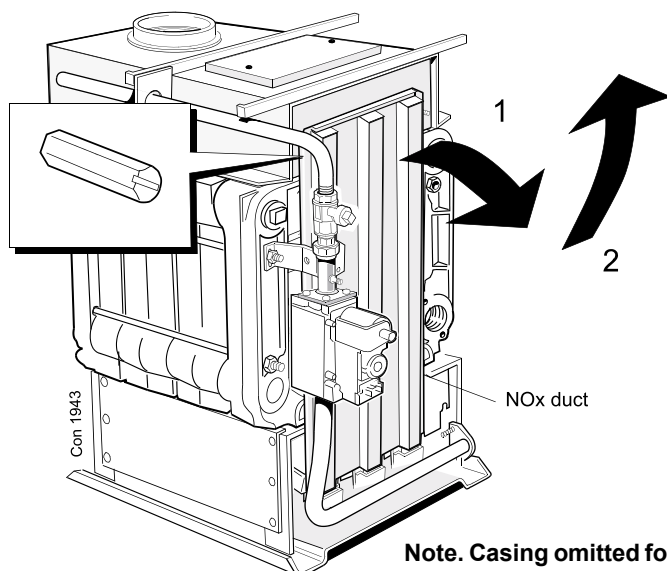
Examine the burner assembly. Clean the burner bars by brushing them down with a stiff bristle (not wire) brush. Check each bar carefully to ensure that all flame ports are clear, that there are no cracks and that all surfaces are free from accumulated deposits.

If available, an industrial vacuum cleaner may be useful to assist in this work. When cleaning the burner bars, take care to avoid damage from rough handling to the pilot pipe, electrodes and leads.

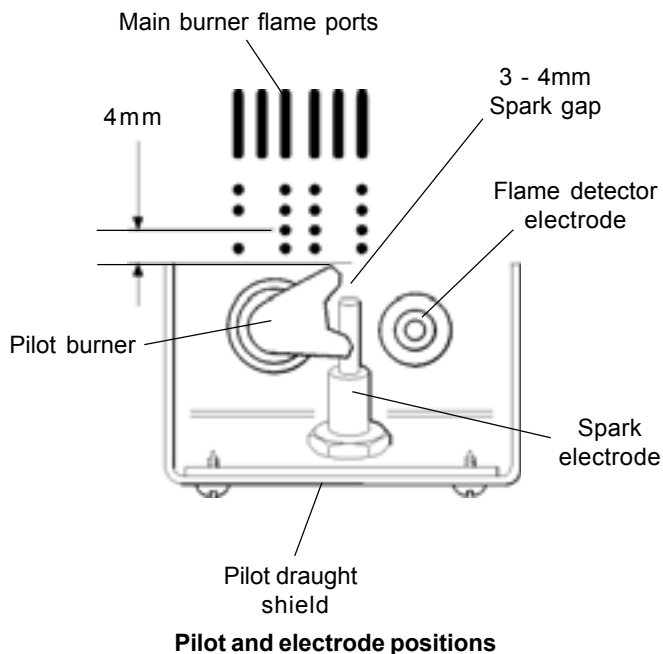
Inspect the pilot burner, injector, ignition electrode, and flame detector electrode.

Ensure that they are clean and in good condition. In particular, check that:

1. The pilot burner is firmly secured.
2. The pilot shield is clean and correctly positioned. (Not fitted to the CXA 120/H boiler).
3. The ignition electrode and lead are clean, undamaged, secure and correctly dimensioned. Refer to diagram in Frame 28.
4. The flame detector electrode and lead is clean, undamaged, secure and correctly dimensioned. Refer to Frame 28.
5. The pilot burner head is clean and undamaged.



## 28 SERVICING - continued.



Refit the LH burner, ensuring that the flame detector lead is properly connected. Reconnect both electrode leads at the S4561B1054 PCB in the control box. Ensure the sleeving passes through the strain relief clamp before refastening it.

Refit the centre and RH burners. Ensure that care is taken not to damage the combustion chamber insulation and that the burner front plate fits beyond the burner retaining returns when it is refitted.

### (CXA 120/H boiler only)

Refit collector hood baffles within collector hood using M5 securing screws.

Refit the flue clean out cover, NO<sub>x</sub> ducts, control box door, casing top and front panels.

### TESTING AFTER SERVICING

After re-assembly, restore the electricity and gas supplies. Light the boiler (refer to the Lighting and Operating Instruction Label on the inside of the casing front panel) and check the gas connections for tightness, as detailed under 'Testing for Gas Soundness' - Frame 20.

Check gas pressures and the gas rate; test as instructed in Frame 22 'Manifold Gas Pressure' and 'Testing'. Adjust any time and temperature controls to User's requirements and remember to reset any time control, which may have been switched off, to the correct time of day. Refit the lower front panel.

## 29 REPLACEMENT OF COMPONENTS - Refer to Frame 5

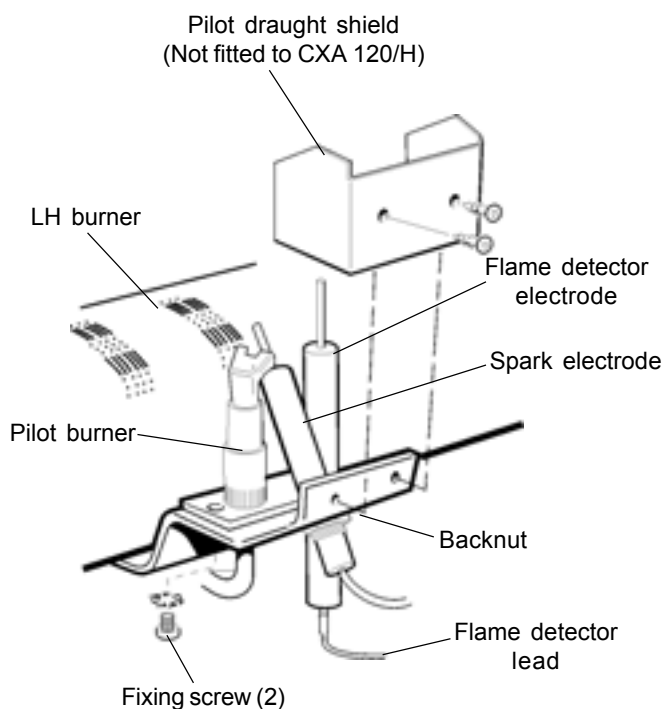
### GENERAL

**WARNING.** Always turn OFF the gas supply at the gas inlet cock and switch OFF and DISCONNECT the electricity supply BEFORE WORKING on the appliance.

To facilitate the replacement of components, remove and replace the lower front panel, NO<sub>x</sub> duct and the burner front plate as necessary -described under 'Servicing'.

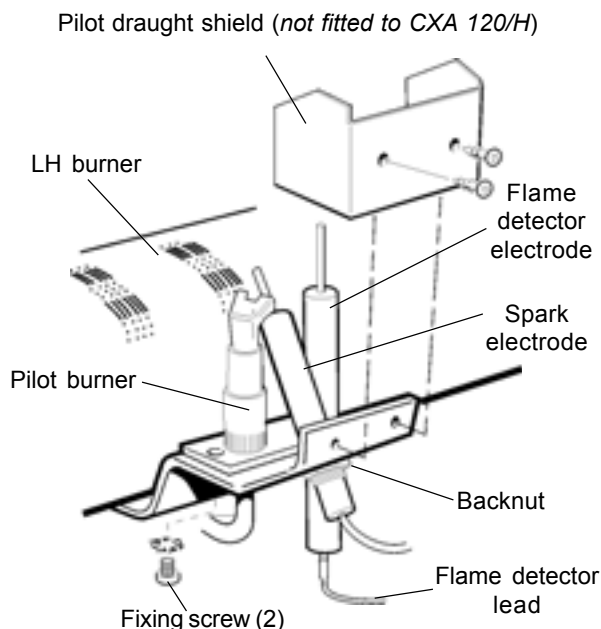
## 30 PILOT BURNER ASSEMBLY

1. Remove the LH burner as previously described in Frame 27
2. Remove the 2 screws securing the control box front panel, lift it and carefully lower it down.
3. Remove the flame detector lead and the spark lead connections from the S4561B1054 PCB in the control box. Undo the strain relief clamp and pass the sleeved wires through the grommetted hole in the back panel.
4. Remove the spark electrode by undoing the back nut. Pull off the flame detector lead connection and unscrew the electrode.
5. Undo the pilot pipe connection and undo the 2 screws retaining the pilot burner and remove it.
6. Fit the new pilot burner, ensuring that it faces towards the front of the burner and that the pilot injector is in position before connecting the pilot pipe.
7. Reassemble in reverse order, ensuring that the spark electrode lead passes through the sleeving and that the sleeving passes through the strain relief clamp in the control box before retightening.



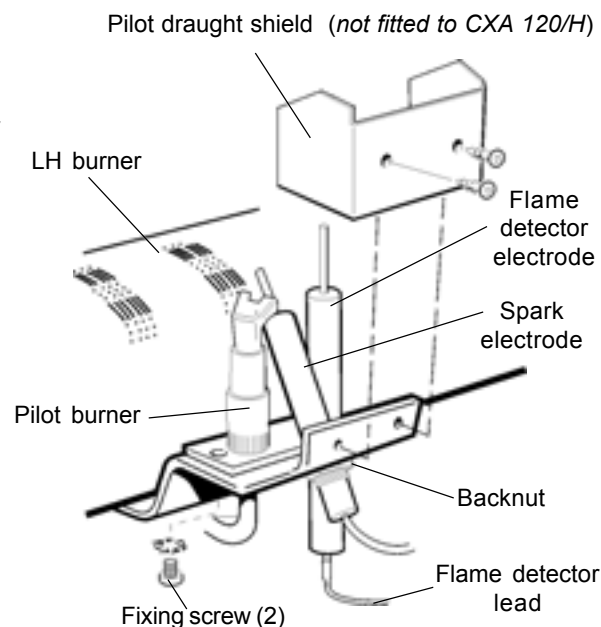
## 31 SPARK ELECTRODE AND LEAD

1. Remove the LH burner as previously described in Frame 27
2. Remove the 2 screws securing the control box front panel, lift it and carefully lower it.
3. Remove the spark lead and flame detector lead connection from the S4561B1054 PCB in the control box. Undo the strain relief clamp and pass the sleeved wires through the grommetted hole in the back panel.
4. Remove the spark electrode by undoing the back nut.
5. Fit the new electrode and reassemble in reverse order, ensuring that the spark electrode lead passes through the sleeving and that the sleeving passes through the strain relief clamp in the control box before retightening. Ensure that the push-on connections are as follows (from left to right): spark electrode, blank, earth, flame detector.



## 32 FLAME DETECTOR AND LEAD

1. Remove the LH burner as previously described in Frame 27
2. Pull off the lead at the electrode and unscrew the flame detector electrode.
3. Fit the new electrode and reassemble in reverse order.
4. To change the lead, remove the 2 screws securing the control box front panel, lift it and carefully lower it. Remove the flame detector lead and spark lead connection from the S4561B1054 PCB in the control box, undo the strain relief clamp and pass the sleeved wires through the grommetted hole in the back panel.
5. Pull the lead through the sleeving. The new lead must be passed through the sleeving small fitting first.
6. Reassemble in reverse order, ensuring that the sleeving passes through the strain relief clamp before tightening. Ensure that the push-on connections are as follows (from left to right): spark electrode, blank, earth, flame detector.



## 33 GAS CONTROL VALVE

1. Undo the pilot gas pipe connection at the gas control valve (if required).
2. Undo the screw securing the electrical plugs on the gas valve and lift them off.
4. Check that the gas inlet cock is OFF, unscrew the 4 screws from the inlet flange, and the 4 screws from the outlet flange and remove the valve. (CXA 90/H-120/H, loosen the other 4 screws on the inlet flange securing the other gas valve).
5. Replace the gas control valve and re-assemble in reverse order, ensuring that the arrow indicating the direction of flow is in the correct position.
6. Ensure that a new 'O' ring seal is correctly placed in each flange connection.
7. Test for gas soundness.

## 34 MAIN BURNERS

1. Remove the NOx duct and burner front plate, as previously described in Frame 27.
  2. Both RH and centre burners can be removed by sliding each one back to clear the injector, and then lifting out.
  3. To exchange the LH burner remove it from the boiler as previously described in Frame 27. Remove pilot burner as described in Frame 30.
  4. Fit new LH burner and the centre and RH burners.
- Note.** Ensure that the pilot burner is correctly fitted, i.e. facing the front, and that the pilot injector has not been omitted.
7. Reconnect the pilot gas pipe connection to the gas valve.

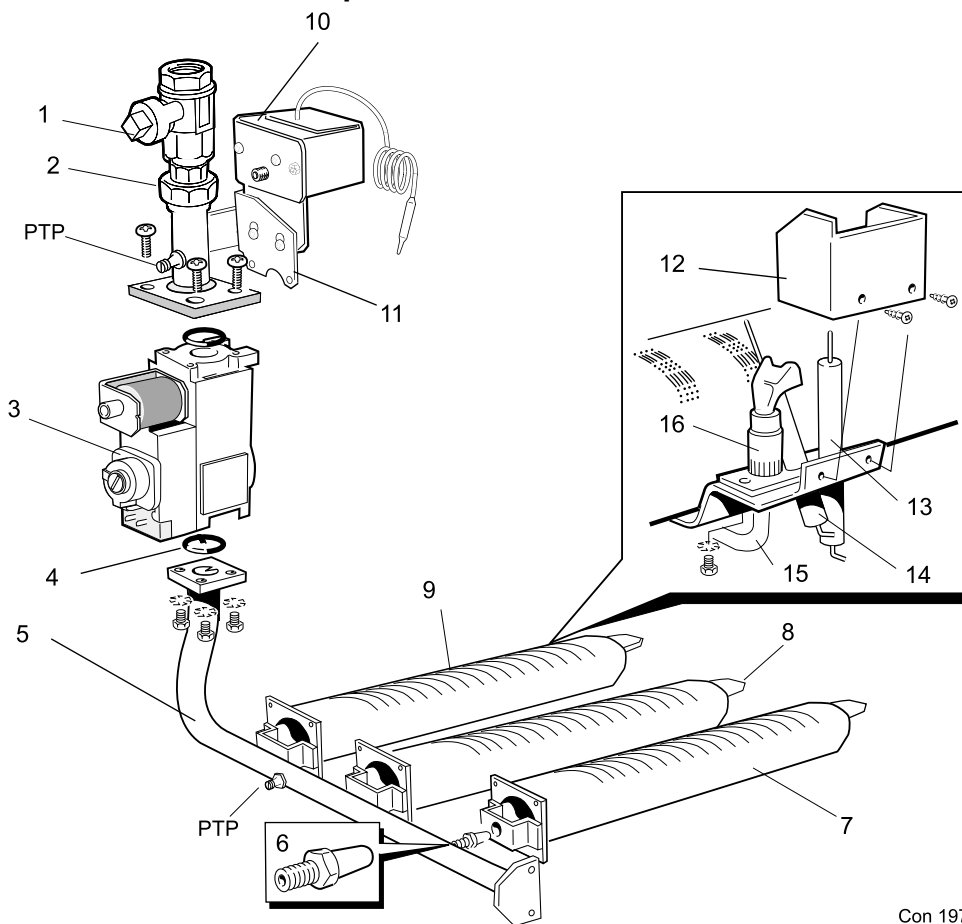
**IMPORTANT.** Care must be taken to prevent damage to the combustion chamber insulation when replacing burners.

## SERVICING

### 35 BURNER AND CONTROLS ASSEMBLY - Exploded View CXA 40/H - 80/H

#### LEGEND

1. Main gas inlet cock
  2. Gas inlet union
  3. Gas control valve
  4. 'O' ring seal
  5. Gas inlet manifold
  6. Main injector, 3 off
  7. RH burner
  8. Centre burner
  9. LH burner
  10. Overheat thermostat
  11. Mounting brackets
  12. Pilot draught shield
  13. Flame detector electrode
  14. Spark electrode
  15. Pilot gas pipe
  16. Pilot burner
- PTP pressure test point

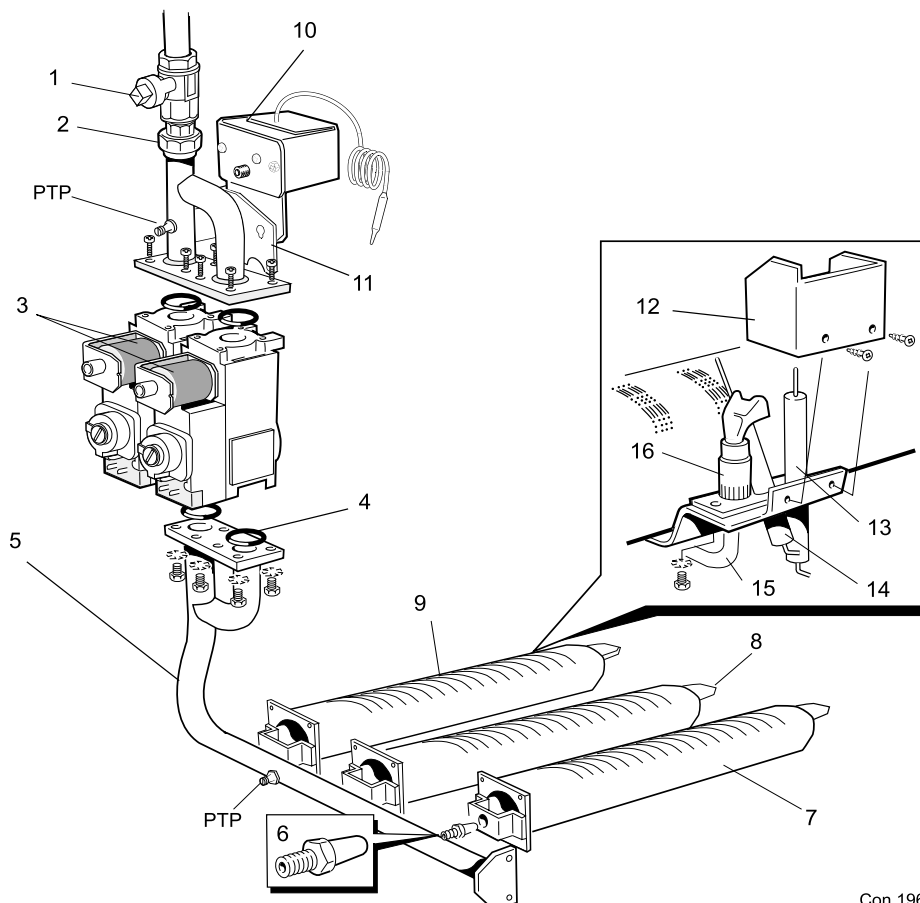


Con 1970

### 36 BURNER AND CONTROLS ASSEMBLY - Exploded View CXA 90/H - 120/H

#### LEGEND

1. Main gas inlet cock
  2. Gas inlet union
  3. Gas control valves
  4. 'O' ring seal
  5. Gas inlet manifold
  6. Main injector, 3 off
  7. RH burner
  8. Centre burner
  9. LH burner
  10. Overheat thermostat
  11. Mounting brackets
  12. Pilot draught shield (*not fitted to CXA 120/H*)
  13. Flame detector electrode
  14. Spark electrode
  15. Pilot gas pipe
  16. Pilot burner
- PTP pressure test point

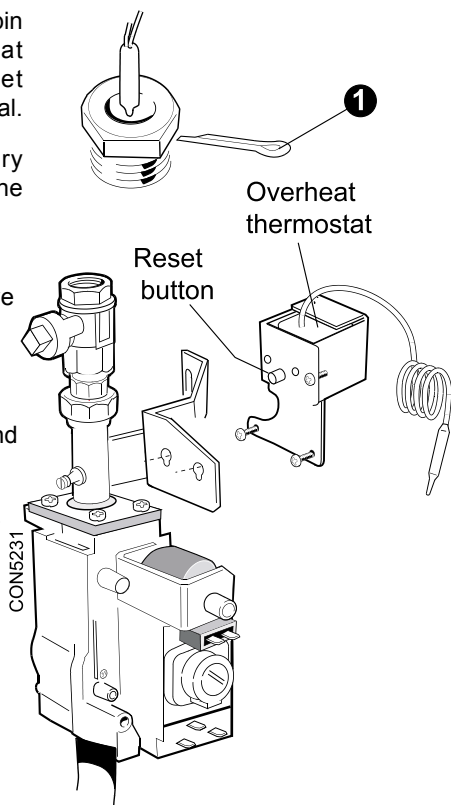


Con 1969



### 42 OVERHEAT THERMOSTAT

1. Remove the split pin from the overheat thermostat pocket and remove the phial.
2. Unclip the capillary from its clips on the casing side panel.
3. Loosen the 2 x M3 screws and remove the thermostat assembly from its fixing bracket.
4. Undo the screw and remove the cover.
5. Remove the wires.
6. Undo the backnut and remove the thermostat.
7. Fit the new thermostat and secure with the backnut.



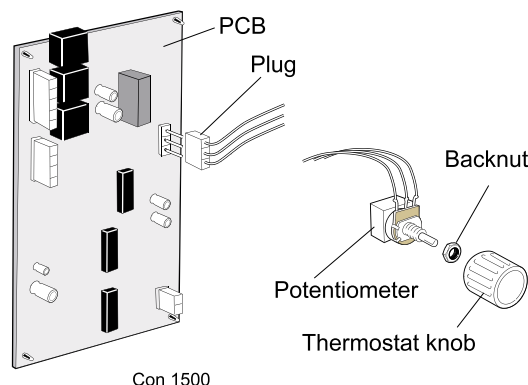
8. Reconnect the wires as follows:

- |         |          |        |
|---------|----------|--------|
| 1. Pink | 2. White | 3. Red |
|---------|----------|--------|
- Reconnect the earth terminal

9. Reassemble in reverse order.

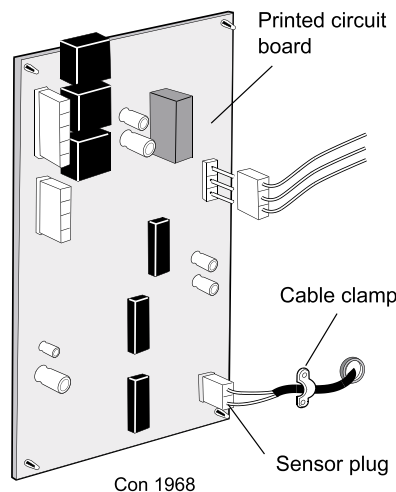
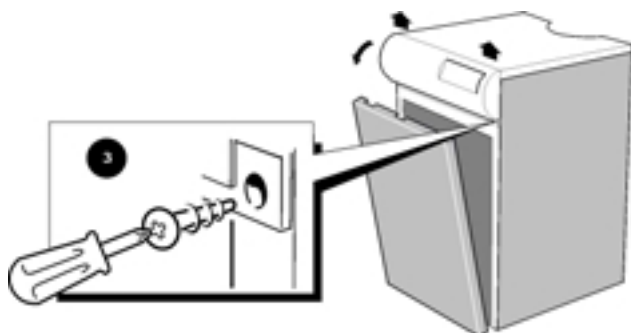
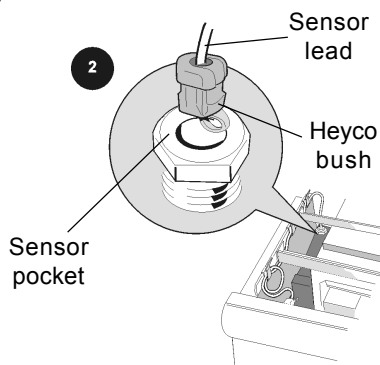
### 38 CONTROL SENSOR POTENTIOMETER ASSEMBLY

1. Undo the thermostat knob retaining screw and pull off the knob.
2. Remove the lower front panel
3. Undo the backnut and washer retaining the potentiometer.
4. Undo the 2 screws securing the control box front panel, lift it and carefully lower it down.
5. Pull off the connections at the back of the potentiometer and the plug from the PCB.
6. Fit the new potentiometer, and reassemble in reverse order, ensuring that the connections on the back of the potentiometer are made either to the top 2 or the bottom 2 tags and that the lug on the potentiometer body locates through the hole in the front panel of the control box.



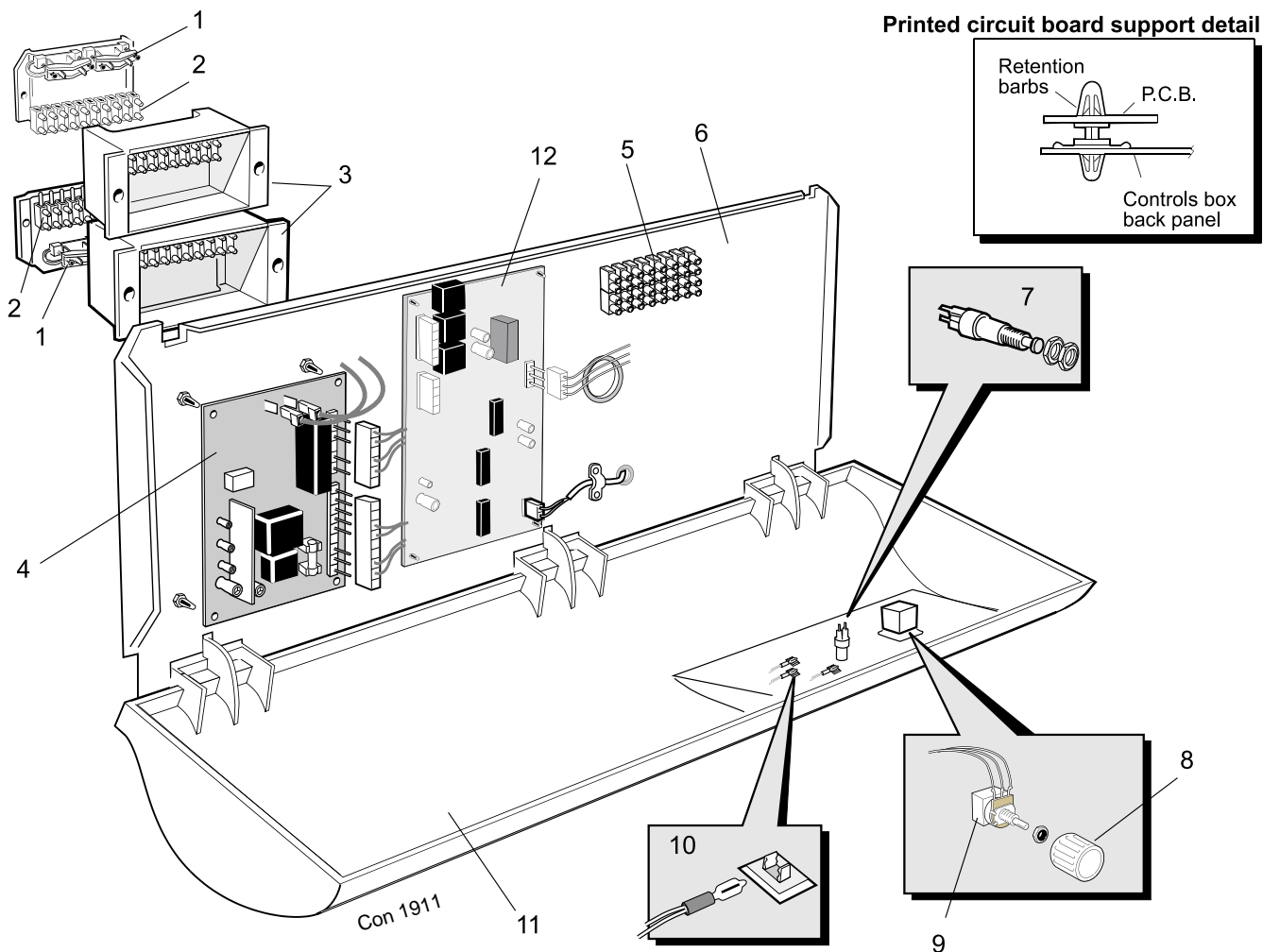
### 39 CONTROL SENSOR

1. Remove the lower front and top panel. Refer to Frame 27.
2. Remove the sensor from the thermostat pocket in the rear heat exchanger section by removing the Heyco bush.



3. Slacken the 2 screws securing the control box front panel, lift it and carefully lower it down.
4. Pull out the sensor plug from the printed circuit board and release cable clamp from the back panel.
5. Pull the sensor lead through the grommeted hole in the back panel and the wire clips.
6. Fit the new sensor and reassemble in reverse order, ensuring that the lead is rerouted along the casing in the clips provided.

## 40 CONTROL BOX - Basic Boiler, Exploded View

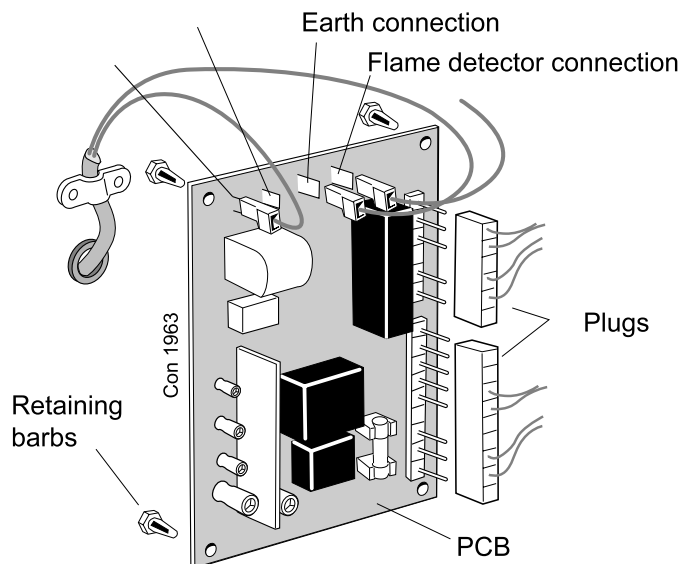


### LEGEND

- |                         |                         |                        |
|-------------------------|-------------------------|------------------------|
| 1. Wiring clamp.        | 5. Terminal strip       | 9. Potentiometer       |
| 2. Connection box plug. | 6. Back panel           | 10. Warning light lens |
| 3. Connection box.      | 7. Lockout reset button | 11. Controls box       |
| 4. PCB S4561A1054       | 8. Thermostat knob      | 12. PCB W4115A1020     |

## 41 PC BOARD NO. S4561B1054

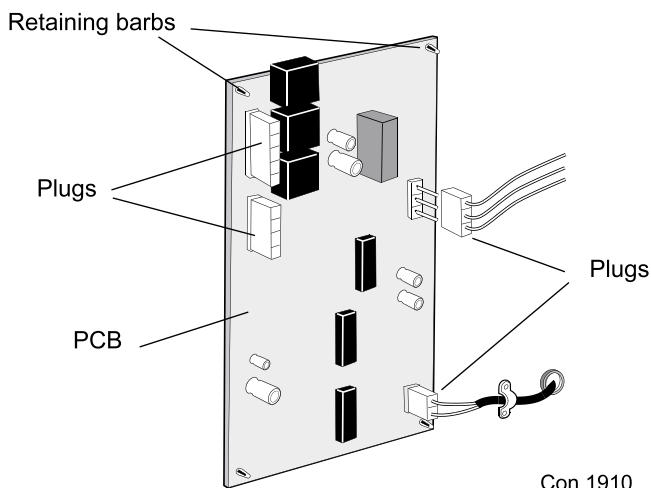
1. Remove the lower front panel.
2. Undo the 2 screws securing the control box front panel. Carefully lift it up and lower down.
3. Pull off the 2 plugs and 3 push-on connections from the board. The board can now be removed by squeezing in the retaining bars.
4. Re-assemble in reverse order, ensuring that the push-on connections are as follows (from left to right): spark electrode, blank, earth, flame detector.





## 42 PC BOARD W 4115A1020

1. Remove the lower front panel.
2. Undo the 2 screws securing the control box front panel. Carefully lift it up and lower it.
3. Pull off the 4 plugs from the board.
4. The board can now be removed by squeezing in the retaining barbs.
5. Fit the new board in reverse order.



## 43 COMBUSTION CHAMBER INSULATION REPLACEMENT

The insulation boards used in the combustion chambers of these products contain man-made fibres, refractory fillers, organic and inorganic binders and as such are deemed to be harmless to humans.

**Caradon Ideal Limited**, however, recommend that for your own comfort and to comply with good working practise the procedure described below is followed.

**IMPORTANT.** Turn OFF the gas and DISCONNECT the electricity supply.

To replace the insulation boards the major boiler components (including the heat exchanger and burners) have to be removed to gain access to the combustion chamber.

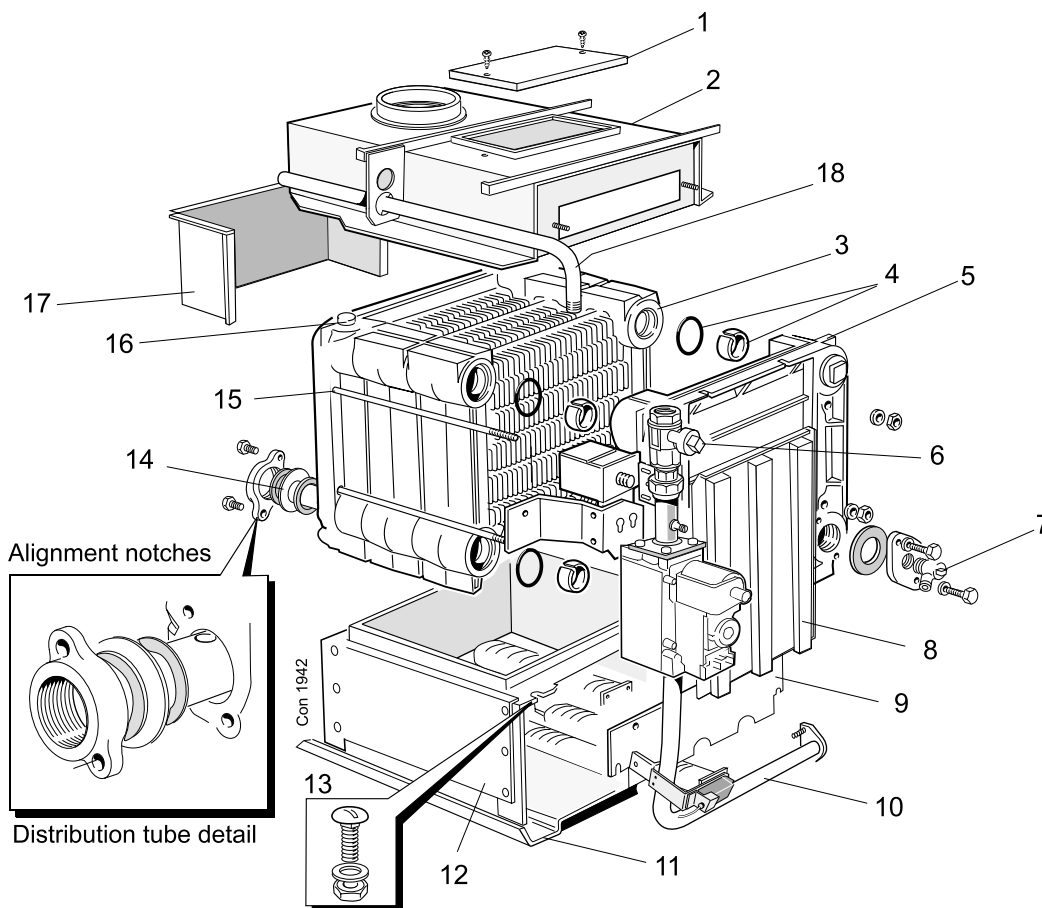
**Prior to removal of the boards the following protective equipment should be worn:**

- Face mask supplied with the spare part.
- Gloves supplied with the spare part.

1. Damp down the combustion chamber area containing the insulation boards.
2. Remove the insulation boards. The replacement boards are supplied in a plastic bag. This bag should be retained and the discarded boards should now be placed into it.
3. Sweep any dampened particles and place in the plastic bag.
4. Fit new insulation boards.
5. Remove the gloves and face mask and place them in the plastic bag.
6. Wash your hands and any areas of skin which may have come into contact with any of the particles from the insulation board.
7. Seal the plastic bag and dispose of it and its contents into a commercial tip.

## SITE ASSEMBLY

### 44 INSTRUCTIONS FOR SITE ASSEMBLED BOILERS



#### Legend

- |   |                           |
|---|---------------------------|
| 1. Cleanout cover.                      | 10. Burner manifold assy. |
| 2. Collector hood.                      | 11. Base plate.           |
| 3. Middle section.                      | 12. Combustion chamber.   |
| 4. Section alignment rings & 'O' rings. | 13. Section bolt.         |
| 5. End section.                         | 14. Distribution tube.    |
| 6. Gas cock.                            | 15. Tie rods.             |
| 7. Drain cock.                          | 16. Thermostat pocket.    |
| 8. NOx duct.                            | 17. Spillage skirt.       |
| 9. Front plate.                         | 18. Gas pipe.             |

#### The site assembled boiler is supplied in the following packages:

- Combustion chamber / manifold / burner assembly.
- Platework package.
- Casing package.
- Controls box package.
- End and centre sections.

#### GENERAL

The installation of the boiler must be in accordance with the Gas Safety (Installation and Use) Regulations or rules in force, building regulations, I.E.E. (BS.7671) Regulations and the bye-laws of the local water undertaking. It should also be in accordance with the relevant British Standard Codes of Practice together with any relevant requirements of the local Gas Region and local authority.

#### TOOLS REQUIRED

- Spanners
- Torque wrench
- Pozi screwdriver
- Mallet

#### ASSEMBLY

The combustion chamber should be positioned as near as possible to the installation site.

**IMPORTANT.** It must be remembered that the boiler distribution tube has to be fitted into the rear return tapping of the assembled boiler before siting.

Prior to assembling the sections it will be necessary to remove the burner and controls assembly from the combustion chamber.

Remove the assembly as follows:

1. Undo the 4 wing nuts securing the burner front plate. Pull the front plate forward from the top and lift it out.
2. The right hand and centre burners may now be lifted out after they have been pushed back to clear the injector.
3. In order to remove the left hand burner, the pilot gas pipe connection at the gas valve must be removed.
4. The left hand burner may now be removed by pushing it back to clear the injector and lifting it out - taking care not to damage the pilot gas pipe while the burner is out of the appliance.
5. Undo the nut securing the manifold assembly to the combustion chamber, pull the manifold assembly to the right and lift out.

## SITE ASSEMBLY

### 45 INSTRUCTIONS FOR SITE ASSEMBLED BOILERS - continued

#### PREPARATION OF SECTIONS

Each section should be brushed clean on all external surfaces and any debris which may have accumulated within the section should be removed via the bottom ports.

#### Section assembly - refer to exploded view, Frame 44

6. Take the back section (with 1/2" BSP tappings in the top) and lift it onto the combustion chamber so that the combustion chamber back panel return is inside the section rear lip. Locate a slotted steel ring and an 'O' ring seal into each of the 4 ports. It will be necessary to squeeze the steel ring slightly to enable it to be pushed fully into the recess.

7. Lift a middle section onto the combustion chamber and carefully offer it up to the back section until it engages the projecting steel rings. It may be necessary to use a mallet and hardwood block to ensure that the steel rings are pushed fully into the recesses and that the sections are butted up to each other.

**Note.** *Until the final section is fitted and the tie rods fastened the sections in the assembly are not fixed together therefore CARE MUST BE TAKEN TO PREVENT the installed section coming apart.*

8. Repeat the above procedure for all of the remaining sections until the assembly is complete.

9. Fit the 4 tie rods through the holes in the sides of the end sections and fit a flat steel washer, a shakeproof washer and a nut to both ends of each tie rod. Screw up all the nuts equally, in turn, and finally tighten them to a torque of 38-41 Nm (28-30 lb. ft.).

10. Fit the distributor tube assembly as described in Frame 8. Fit the drain cock (refer to exploded view in Frame 44).

11. On open vented systems a hydraulic test should be carried out at 1 1/2 times the design pressure given in Table 2 for a period of 30 minutes.

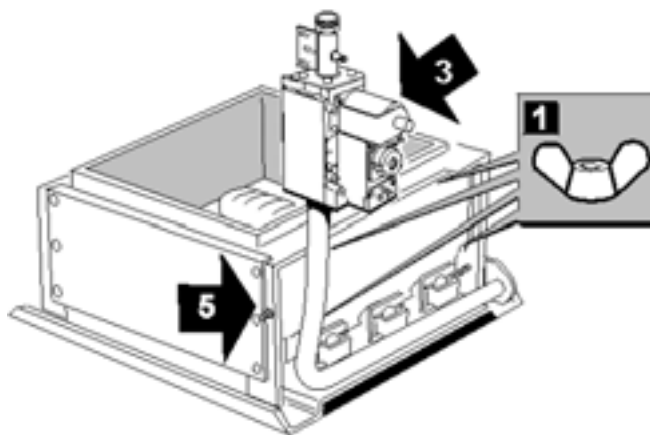
12. On a pressurised system the test should be at twice the design pressure for a period of 30 minutes.

13. Fit the 4 coach bolts into the lugs at the bottom of the front and rear sections. Secure with the nuts and washers provided.

14. Fit insulation wrap to heat exchanger. Secure with clips provided.

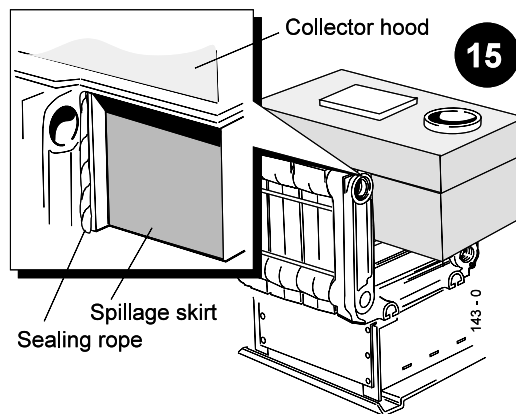
15. Fit the collector hood. Ensure the underside returns running across the hood sit within the front and rear section flueways. Fasten down, using the four M6 screws and nuts provided, through the front and rear fixing points.

16. Locate the fibreglass rope in the rear section grooves to form a seal with the spillage skirts. Fit the spillage skirts onto the collector hood using the self tapping screws provided.



18. Insert the burner rear supports into the slots at the back of the combustion chamber. Lift the front of the burners over the injectors and pull forward to engage.

19. Fit the support angles (contained in the platework package) to the collector hood. The angle with the hole for the earth screw fits to the front.

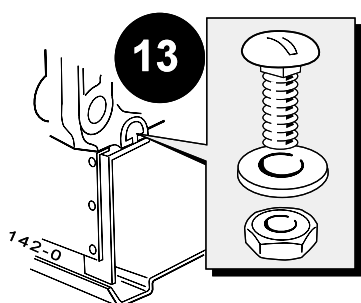


20. Fit the gas inlet pipe bracket to the rear support angle, on the LH side, using the self tapping screws.

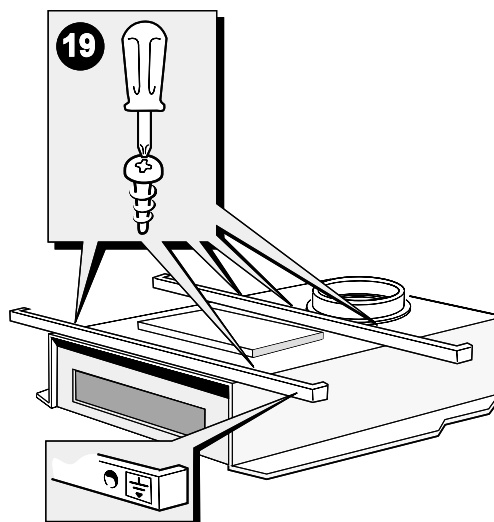
21. Fit the gas inlet pipe and make good the union between the gas cock and the valve inlet pipe.

22. Fit the NOx duct, using the reverse procedure to that shown in Frame 27, and secure with the extended nuts.

23. The boiler is now ready for installation. Go to Frame 8 and continue the installation from there.



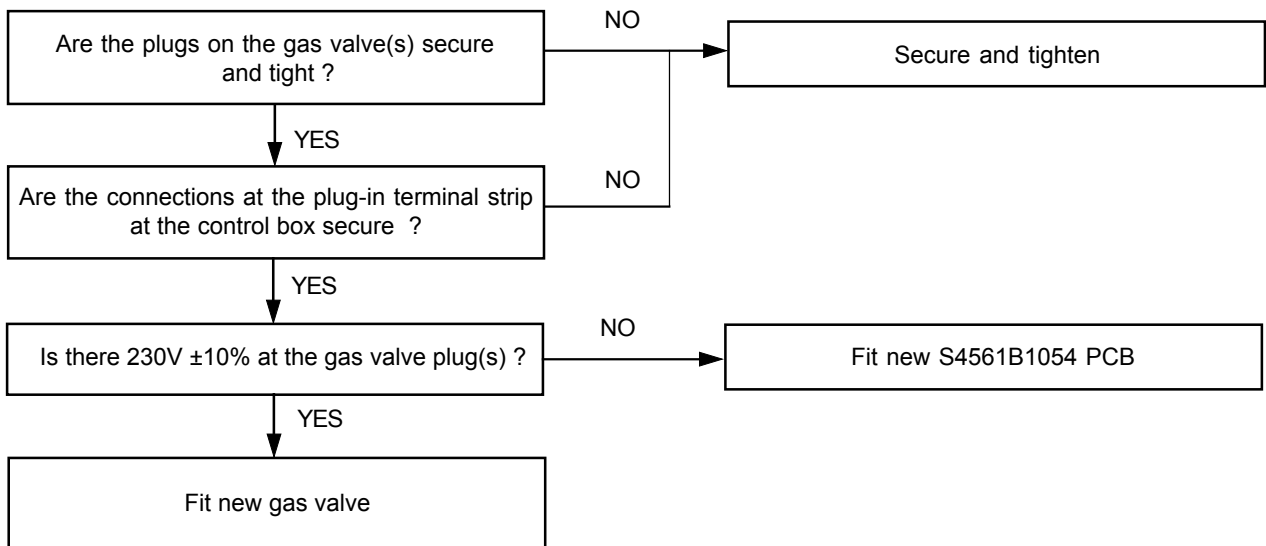
17. Refit the manifold assembly. Position the boiler insulation over the gas line tie bracket. Fasten the bolt securing the bracket to the front section before wrapping and securing insulation around the boiler body.



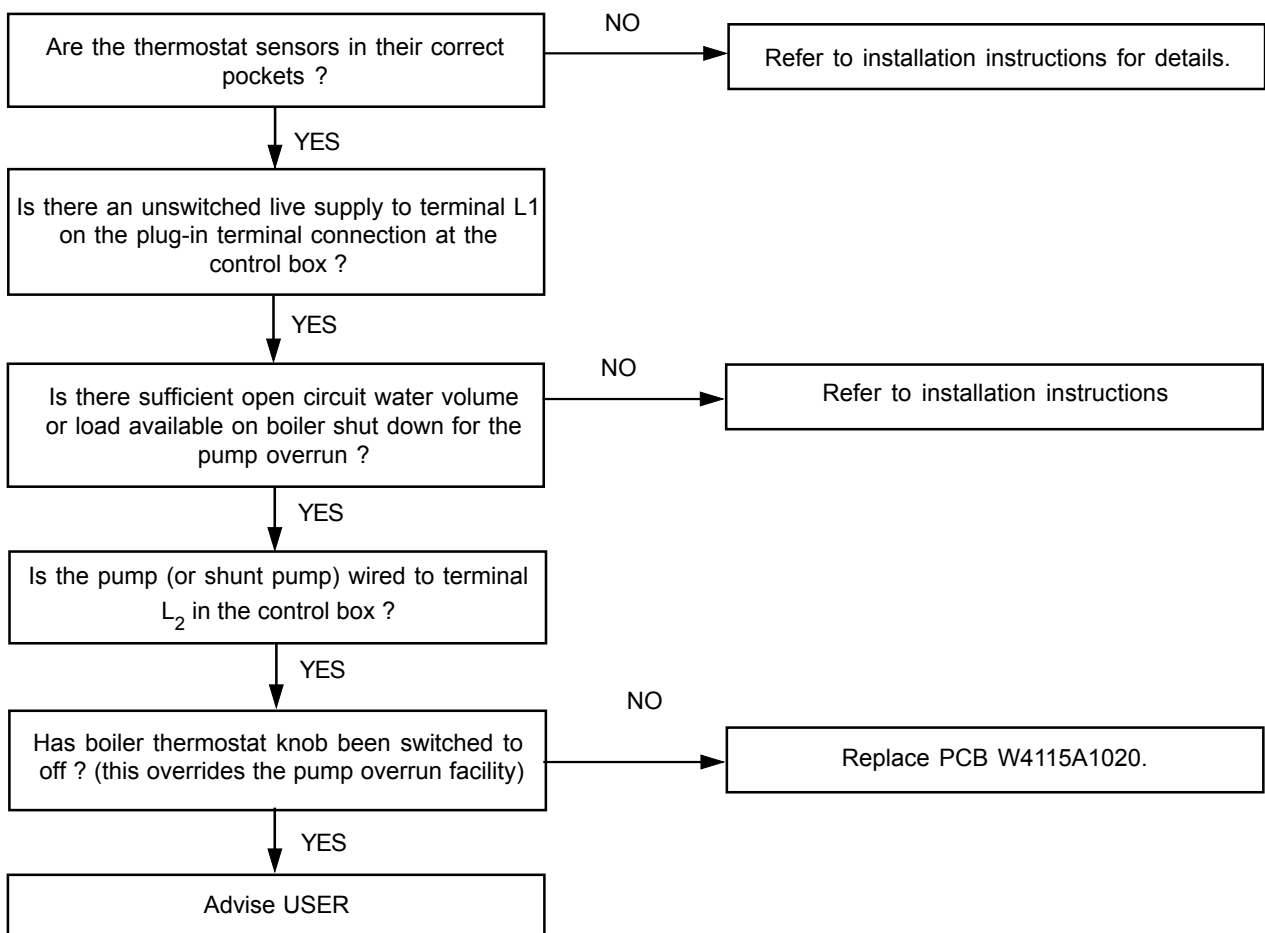


## FAULT FINDING

### 48 PILOT LIT BUT NO MAINS GAS



### 49 BOILER GOES OUT ON OVERHEAT THERMOSTAT



## SHORT LIST OF PARTS

The following are parts commonly required as replacements, due to damage or expendability.

When ordering spare parts please quote:

1. Boiler model
2. Boiler serial no. (refer to the data plate on the combustion chamber)
3. Boiler B.G. P.I. No. (refer to the data plate on the combustion chamber)
4. Description
5. Quantity
6. Product no.

Their failure or absence is likely to affect the safety and/or performance of this appliance.

Key No.	Description	Qty.	Product No.
12.4	Boiler body insulation ..... CXA 40/H	1	150 093
	..... CXA 50/60/H	1	150 094
	..... CXA 70/80/H	1	150 095
	..... CXA 90/100/H	1	150 096
	..... CXA 110/120/H	1	154 856
23	LH main burner ..... Worgas 0.087.751 CXA 40/H	1	150 153
	..... Worgas 0.087.753 CXA 50/60/H	1	150 154
	..... Worgas 0.087.755 CXA 70/80/H	1	150 155
	..... Worgas 0.087.757 CXA 90/100/H	1	150 156
	..... Worgas 0.087.761 CXA 110/120/H	1	154 812
24	Centre & RH main burners ..... Worgas 0.087.750 CXA 40/H	2	150 149
	..... Worgas 0.087.752 CXA 50/60/H	2	150 150
	..... Worgas 0.087.754 CXA 70/80/H	2	150 151
	..... Worgas 0.087.756 CXA 90/100/H	2	150 152
	..... Worgas 0.087.760 CXA 110/120/H	2	154 811
26	Main burner injectors ..... Size 3.4 mm; CXA 40/H	3	111 323
	..... Size 3.82mm; CXA 50/H	3	111 324
	..... Size 4.12mm; CXA 60/H	3	111 325
	..... Size 4.57mm; CXA 70/H	3	111 326
	..... Size 4.86mm; CXA 80/H	3	013 177
	..... Size 5.2mm; CXA 90/H	3	111 328
	..... Size 5.3mm; CXA 100/H	3	013 179
	..... Size 5.5mm; CXA 110/H	3	157 904
	..... Size 5.6mm; CXA 120/H	3	154 840
27	Pilot burner - HONEYWELL Q 349 A1067 complete with injector	1	077 105
28	Pilot burner injector - HONEYWELL 45900421-011	1	004 545
29	Gas control valve - HONEYWELL V4601 AB 1034	1	154 810
	Gas control valve - HONEYWELL VR4605 AB 1019 CXA 90 - 120/H	1	111 869
	Gas valve plugs and lead assy. CXA 40 -120/H	1	154 733
	Gas valve plugs and lead assy. CXA 90 -120/H	1	112 431
	Gas valve plugs and lead assy. CXA 90 -120/H	1	139 269
32	Ignition electrode and H.T. lead assy. ....	1	154 967
33	Flame sensing electrode .....	1	154 818
	Boiler status neons ..... Burner on	1	154 854
	..... Overheat	1	154 855
	..... Lockout	1	154 855
37	Electronic thermostat sensor & lead assembly	1	154 816
38	Thermostat potentiometer assembly .....	1	154 850
39	Thermostat knob .....	1	170 859
40	Overheat thermostat .....	1	155 791
41	Control box assembly, complete .....	1	157 152
42	Printed circuit board S4561B1054 .....	1	154 813
43	Printed circuit board W4115A1020 .....	1	154 815

## SHORT LIST OF PARTS

Key No.	Description	Qty.	Product No.
48	Right hand casing side panel - white stove enamel .. CXA 40/H	1	111 650
	..... CXA 50/H	1	111 651
	..... CXA 60/H	1	111 651
	..... CXA 70/H	1	111 652
	..... CXA 80/H	1	111 652
	..... CXA 90/100/H	1	111 653
	..... CXA 110/120/H	1	154 898
49	Left hand casing side panel - white stove enamel ..... CXA 40/H	1	111 650
	..... CXA 50/H	1	111 651
	..... CXA 60/H	1	111 651
	..... CXA 70/H	1	111 652
	..... CXA 80/H	1	111 652
	..... CXA 90/100/H	1	111 653
	..... CXA 110/120/H	1	154 898
50	Casing top panel - white stove enamel ..... CXA 40/H	1	111 293
	..... CXA 50/H	1	111 294
	..... CXA 60/H	1	111 295
	..... CXA 70/H	1	111 296
	..... CXA 80/H	1	111 297
	..... CXA 90/100/H	1	111 298
	..... CXA 110/120/H	1	154 897
51	Casing lower front panel - white stove enamel c/w lighting instructions	1	171 842
52	Casing upper front control panel (less controls) .....	1	154 846
53	Casing assembly, complete - white stove enamel .... CXA 40/H	1	157 389
	..... CXA 50 /H	1	157 390
	..... CXA 60/H	1	157 391
	..... CXA 70/H	1	157 392
	..... CXA 80/H	1	157 393
	..... CXA 90/100/H	1	157 394
	..... CXA 110/120/H	1	157 395
55	Reset Switch Assembly .....	1	155 269

## Technical Training

The Ideal Boilers Technical Training Centre offers a series of first class training courses for domestic, commercial and industrial heating installers, engineers and system specifiers. For details of courses please ring: ..... 01482 498 432

**Ideal Boilers**, P.O. Box 103, National Ave, Kingston upon Hull, HU5 4JN. Telephone: 01482 492 251 Fax: 01482 448 858. Registration No. London 322 137.

**Caradon Ideal Limited** pursues a policy of continuing improvement in the design and performance of its products. The right is therefore reserved to vary specification without notice.



**i Ideal** BOILERS

January 2002

UIN 157290 A02

**Caradon**  
Ideal Limited

***Ideal Installer/Technical Helpline: 01482 498 376***  
***www.idealboilers.com***