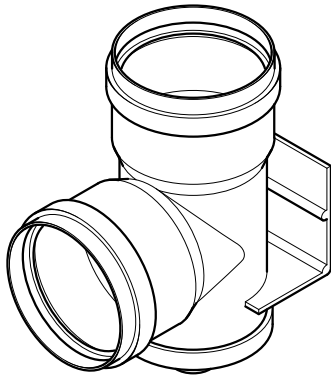


Kit Contents Identification

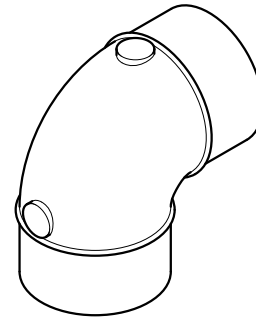
Condensate Collection

Kit No 248443

Key	Part No	Description	No Off
A	248446	Condensate Collector	1
B	248447	90° Bend - male x male	1



A



B