

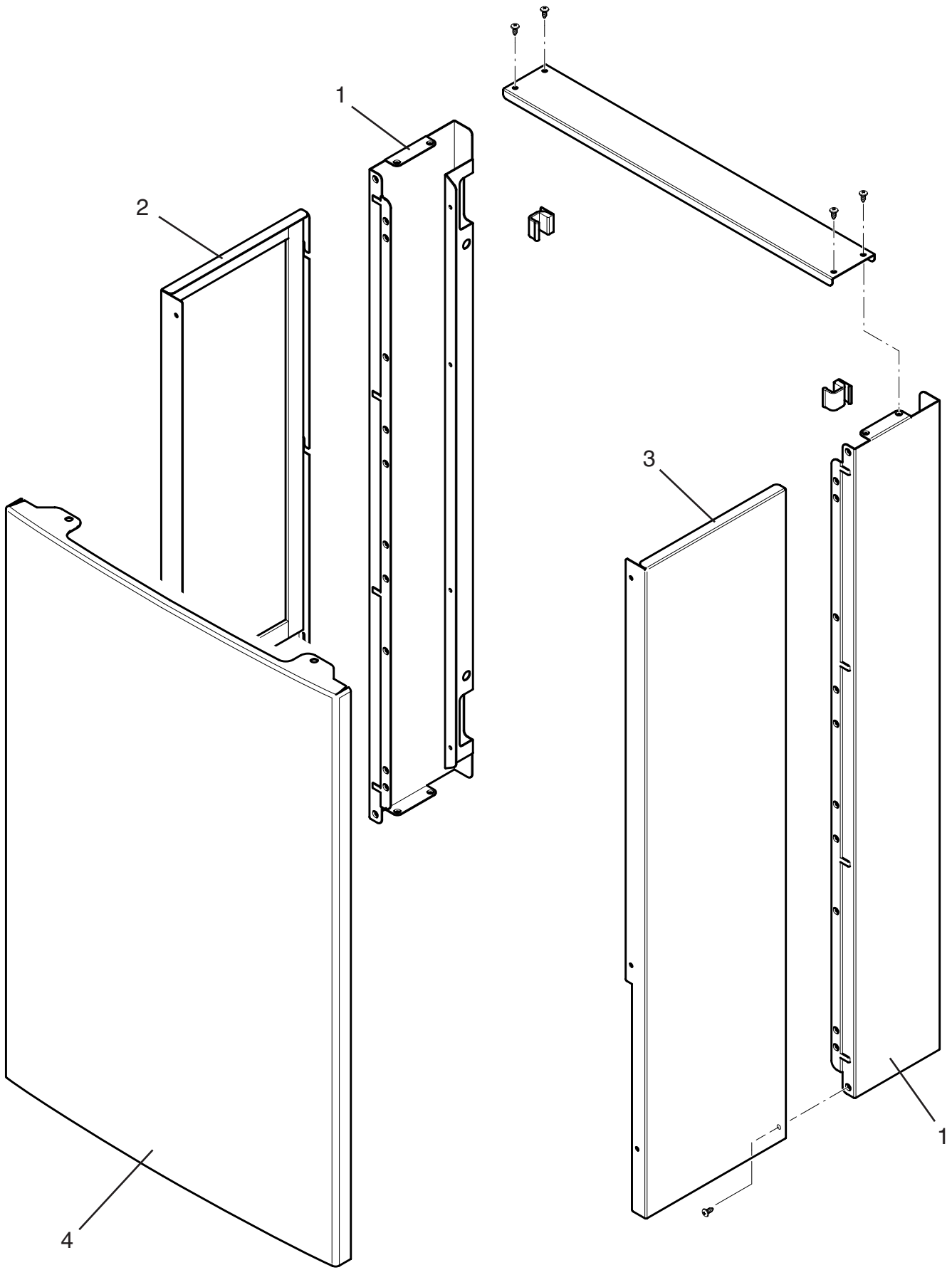
# POTTERTON PERFORMA 28i

## PARTS LIST

Key No	PART DESCRIPTION	PART NUMBER
1	REAR SUPPORT-OUTERCASE	247990
2	PANEL ASSEMBLY-LEFT	247991
3	PANEL ASSEMBLY- RIGHT	247992
4	PANEL ASSEMBLY- FRONT	247993
22	FAN - 105	248002
23	PRESSURE SWITCH	247380
32	HEAT EXCHANGER - PRIMARY- 105	248017
35	VESSEL - EXPANSION WITH STORE	248722
41	BURNER ASSEMBLY - 105	248030
44	INJECTOR - 1.28 NG	248210
59	LEAD-IGNITION ELECTRODE	248037
63	ELECTRODE - IGNITION	247384
72	PUMP (15-60) -105	248042
73	AIR VENT - AUTOMATIC	248043
76	HEAT EXCHANGER-DHW (22 PLATES)	248723
92	SAFETY VALVE -3 bar	248056
102	VALVE-3 WAY ASSEMBLY	248727
103	PRESSURE DIFFERENTIAL ASSEMBLY	248728
131	TEMPERATURE SENSOR	247394
135	THERMOSTAT - LIMIT	248079
140	GAS VALVE - VK4105 A	248085
141	MODULATION COIL AND SPRING	248086
154	PRINTED CIRCUIT BOARD	248731
169	GAUGE - PRESSURE	248090
191	WASHER - SEALING G1/2	247744
192	WASHER - SEALING G3/4	247745
280	SEAL -RUBBER-GAS TAP	247764
291	IGNITER WITH LEAD	248097
369	CABLE - LOW VOLTAGE	248732
387	MOTOR - 3 WAY VALVE	248733
390	VALVE - DIFFERENTIAL - DHW	248734

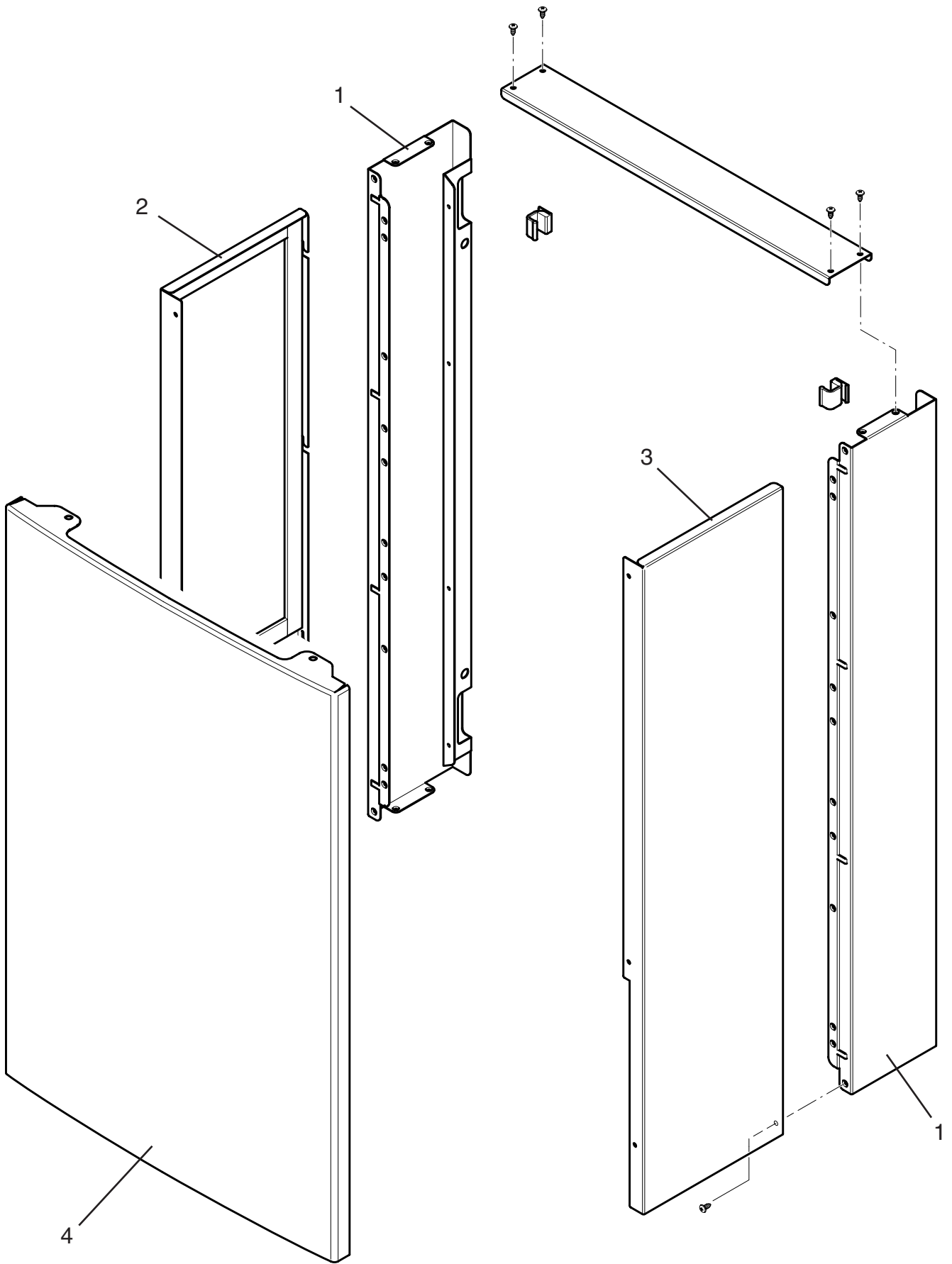
# Potterton Performa 28i

## Outer Case



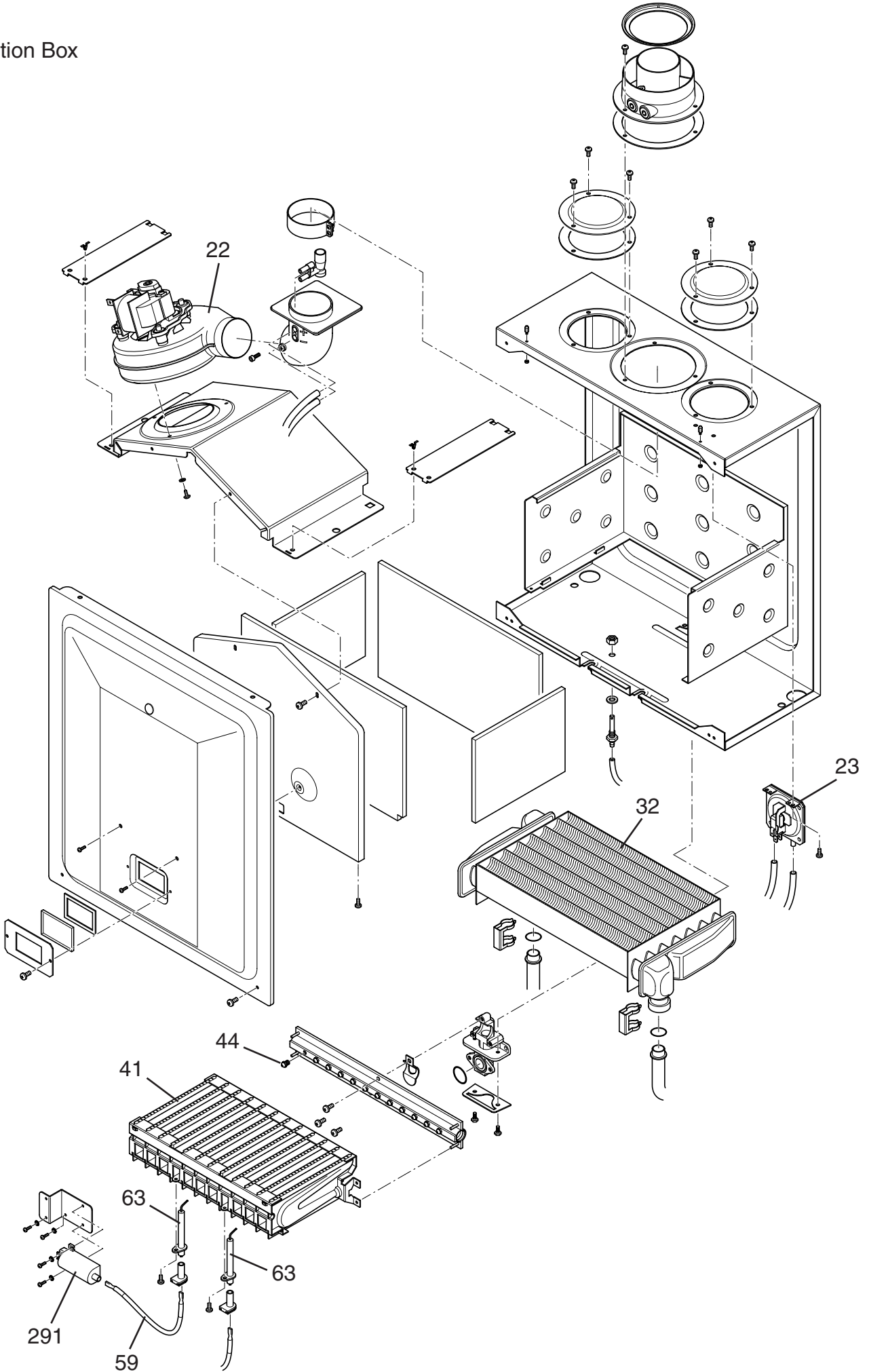
# Potterton Performa 28i

## Outer Case



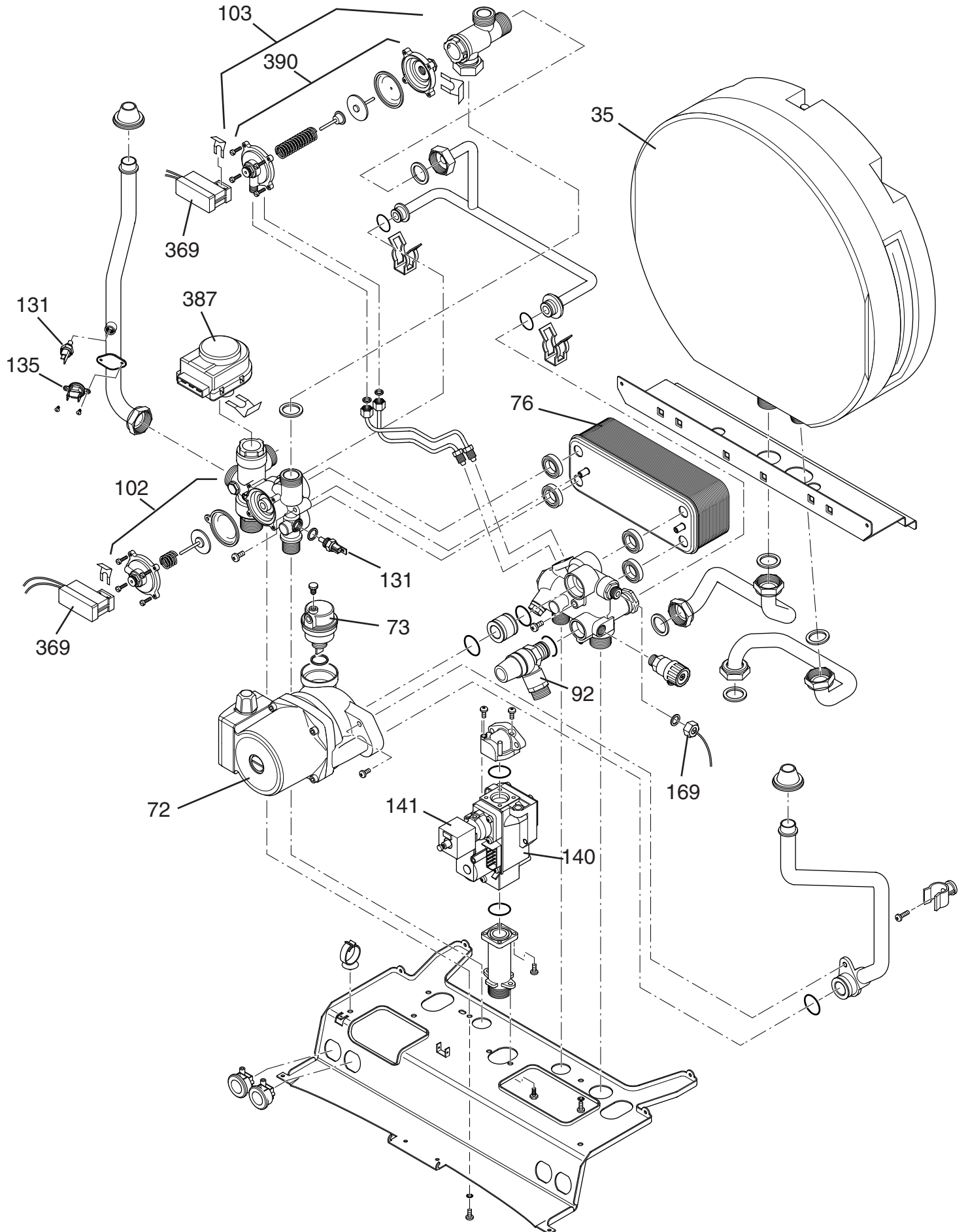
# Potterton Performa 28i

## Combustion Box



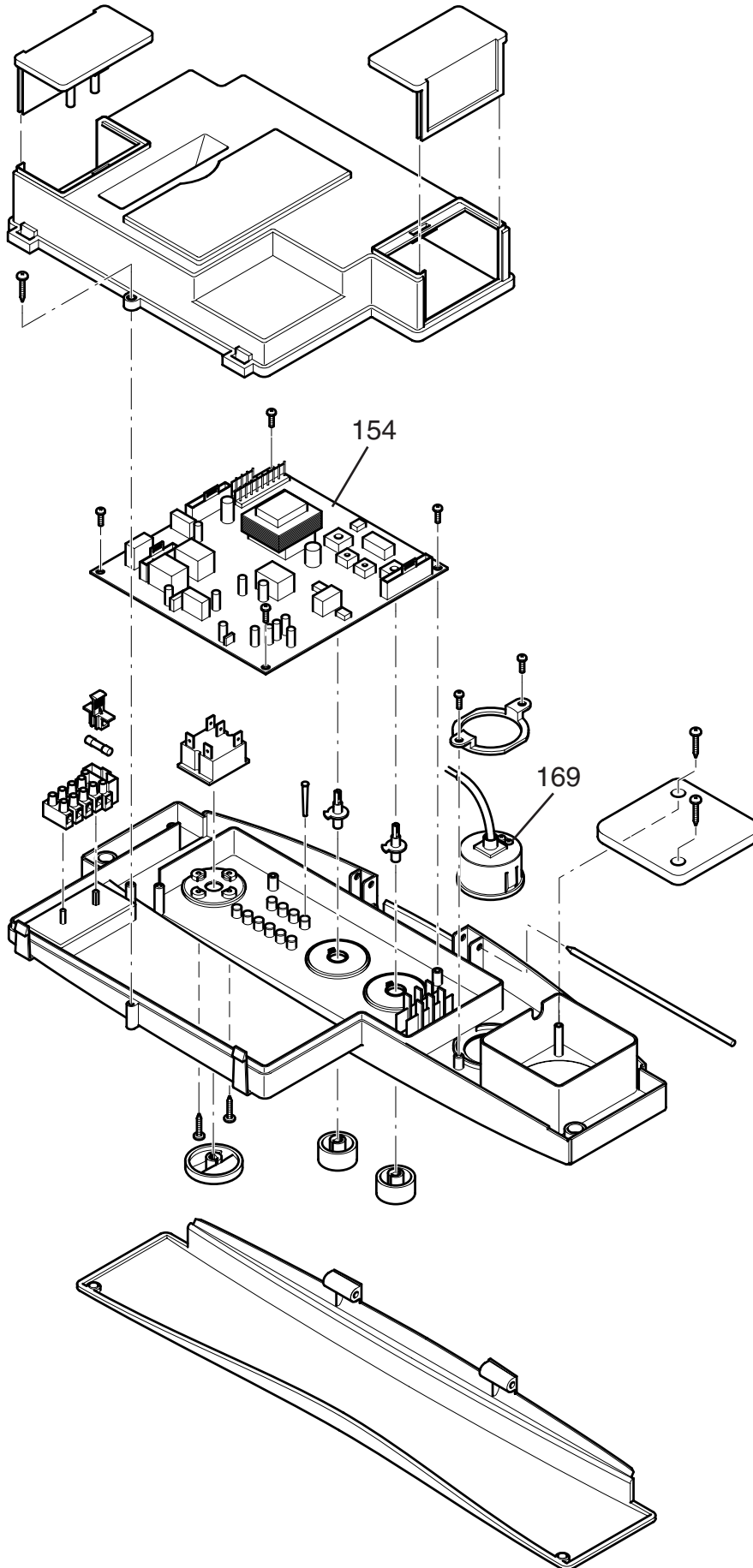
# Potterton Performa 28i

## Hydraulics



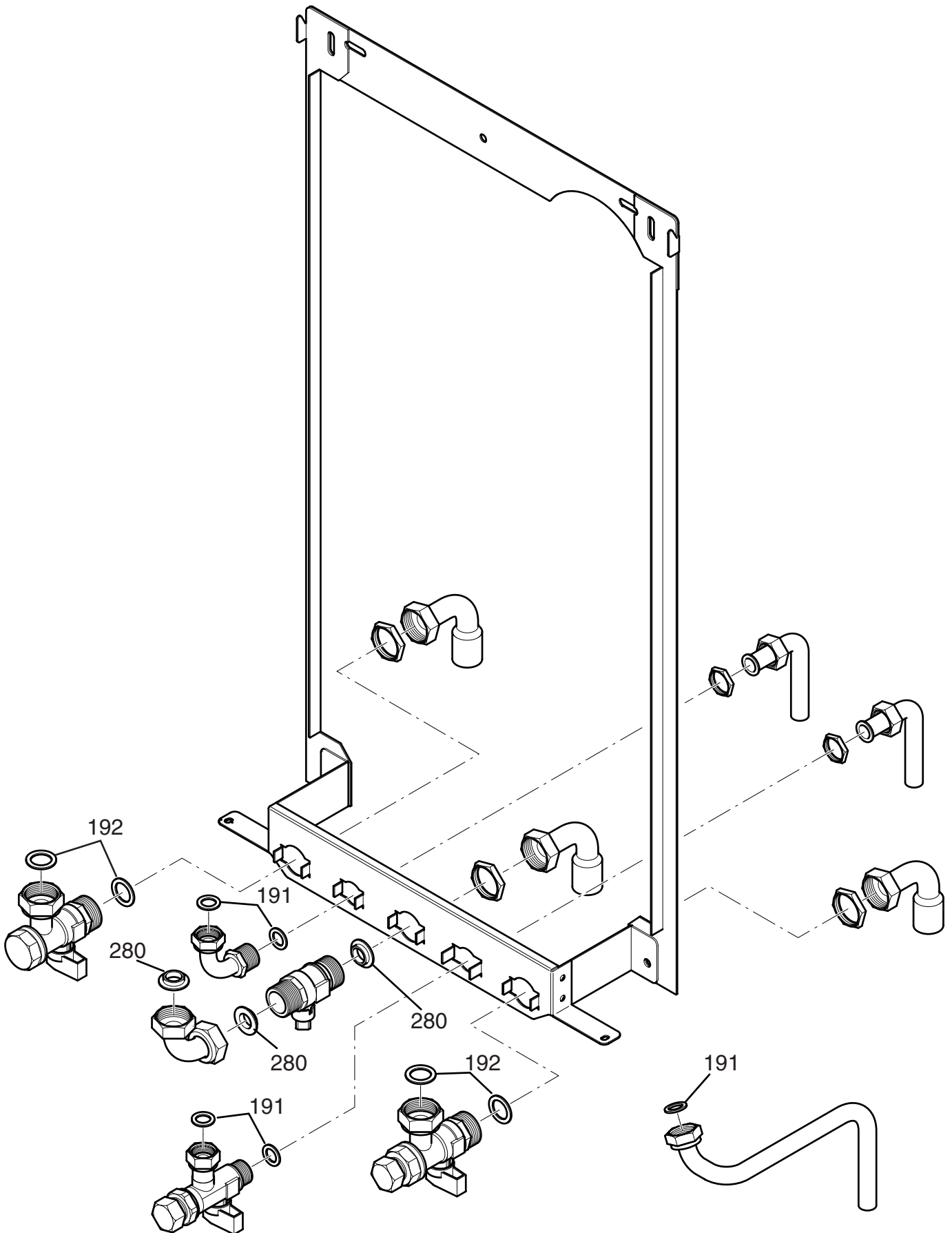
# Potterton Performa 28i

## Controls



# Potterton Performa 28i

## Wall Plate



# Potterton Performa 28i

## Wiring Harnesses

