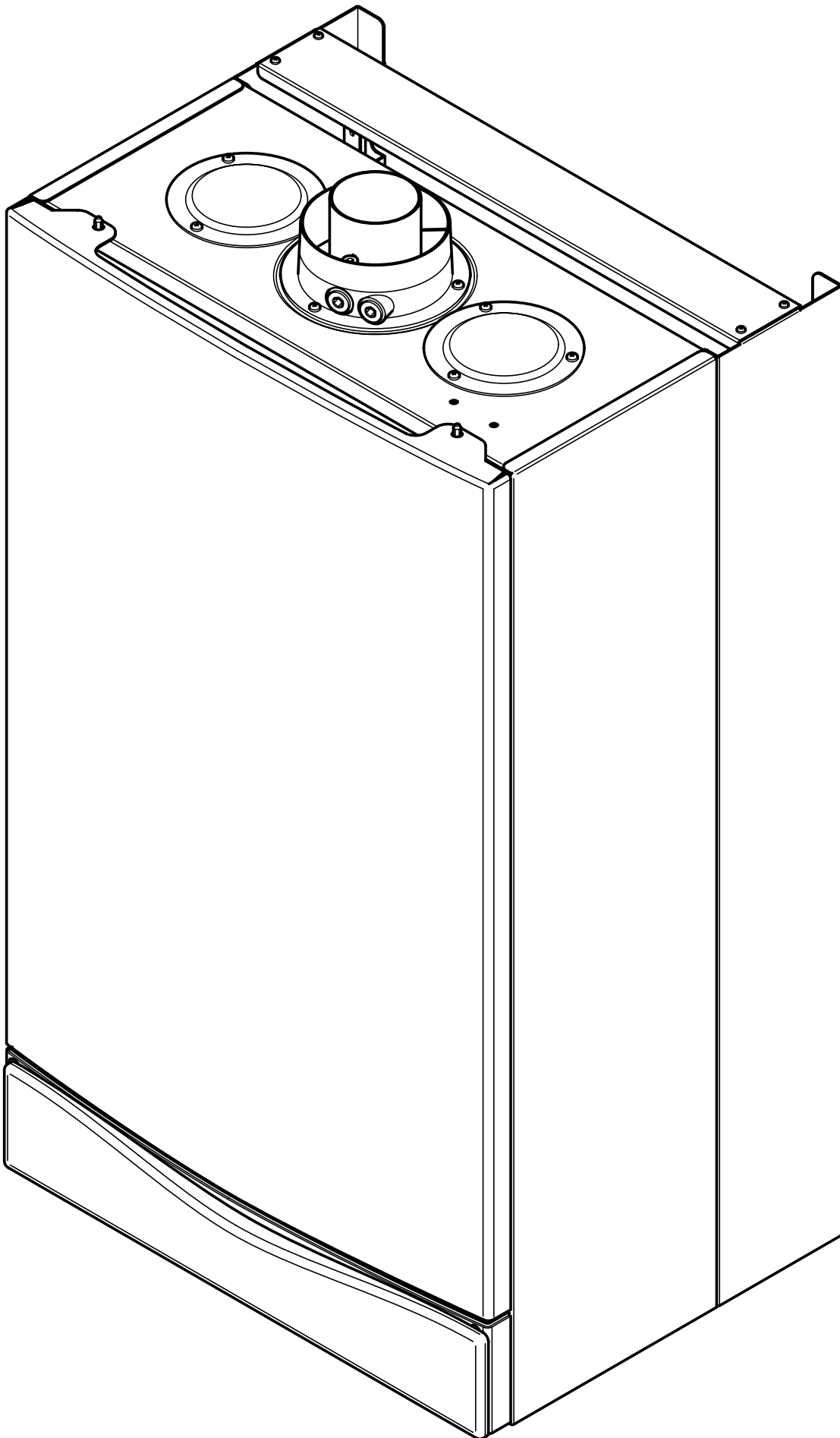


# POTTERTON PERFORMA 28

## PARTS LIST

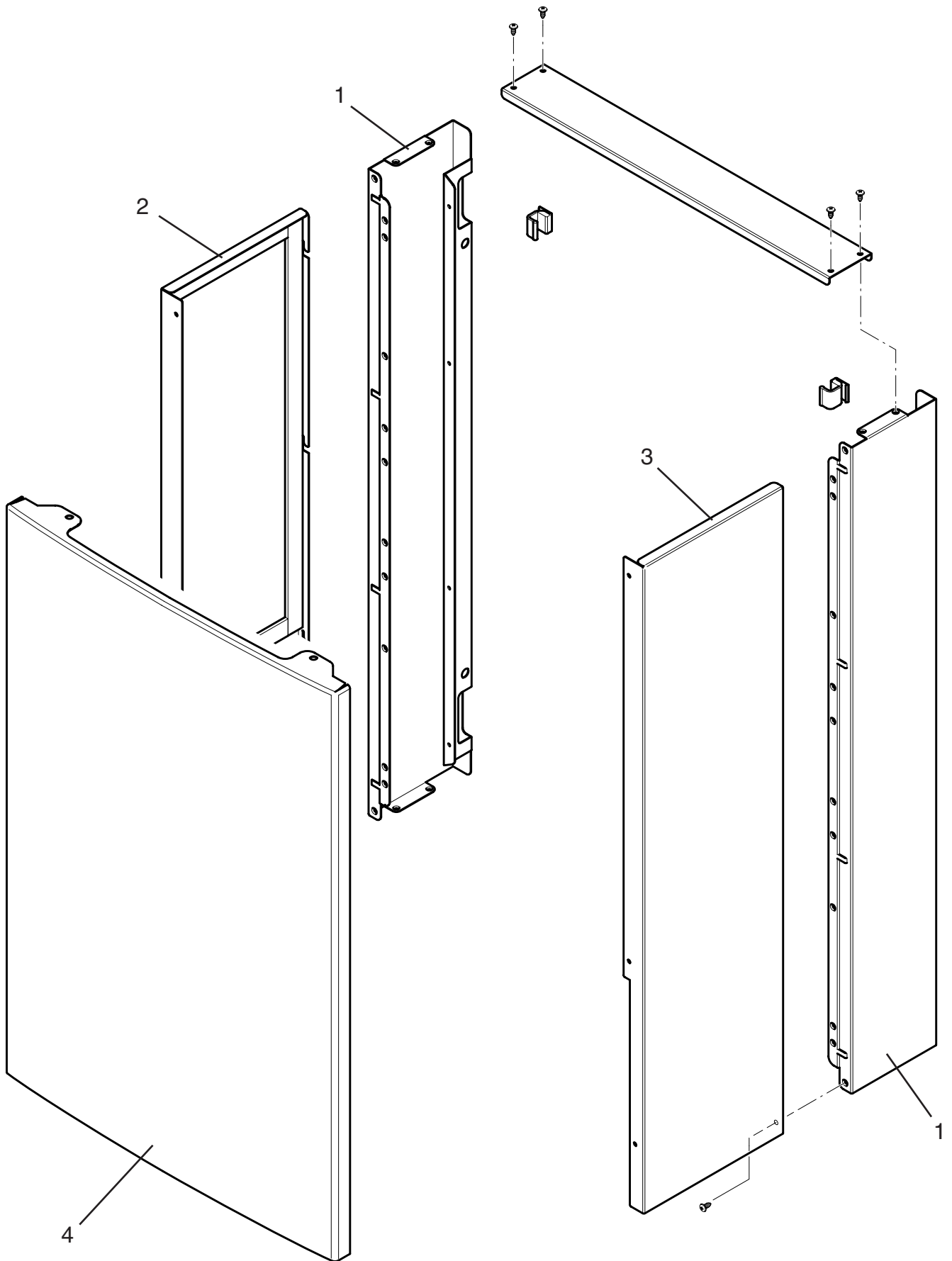
Key No	PART DESCRIPTION	PART NUMBER
1	REAR SUPPORT-OUTERCASE	247990
2	PANEL ASSEMBLY-LEFT	247991
3	PANEL ASSEMBLY- RIGHT	247992
4	PANEL ASSEMBLY- FRONT	247993
22	FAN - 105	248002
23	PRESSURE SWITCH	247380
32	HEAT EXCHANGER - PRIMARY- 105	248017
35	VESSEL - EXPANSION 8 L	248024
41	BURNER ASSEMBLY - 105	248030
44	INJECTOR - 1.28 NG	248210
59	LEAD-IGNITION ELECTRODE	248037
63	ELECTRODE - IGNITION	247384
72	PUMP (15-60) -105	248042
73	AIR VENT - AUTOMATIC	248043
76	HEAT EXCHANGER-DHW (16 PLATES)	248048
92	SAFETY VALVE -3 bar	248056
102	VALVE-3 WAY ASSEMBLY	248062
103	PRESSURE DIFFERENTIAL ASSEMBLY	248063
130	MICROSWITCH ASSEMBLY	248067
131	TEMPERATURE SENSOR	247394
135	THERMOSTAT - LIMIT	248079
140	GAS VALVE - VK4105 A	248085
141	MODULATION COIL AND SPRING	248086
154	PRINTED CIRCUIT BOARD	248074
169	GAUGE - PRESSURE	248090
191	WASHER - SEALING G1/2	247744
192	WASHER - SEALING G3/4	247745
280	SEAL -RUBBER-GAS TAP	247764
291	IGNITER WITH LEAD	248097

# Potterton Performa 28



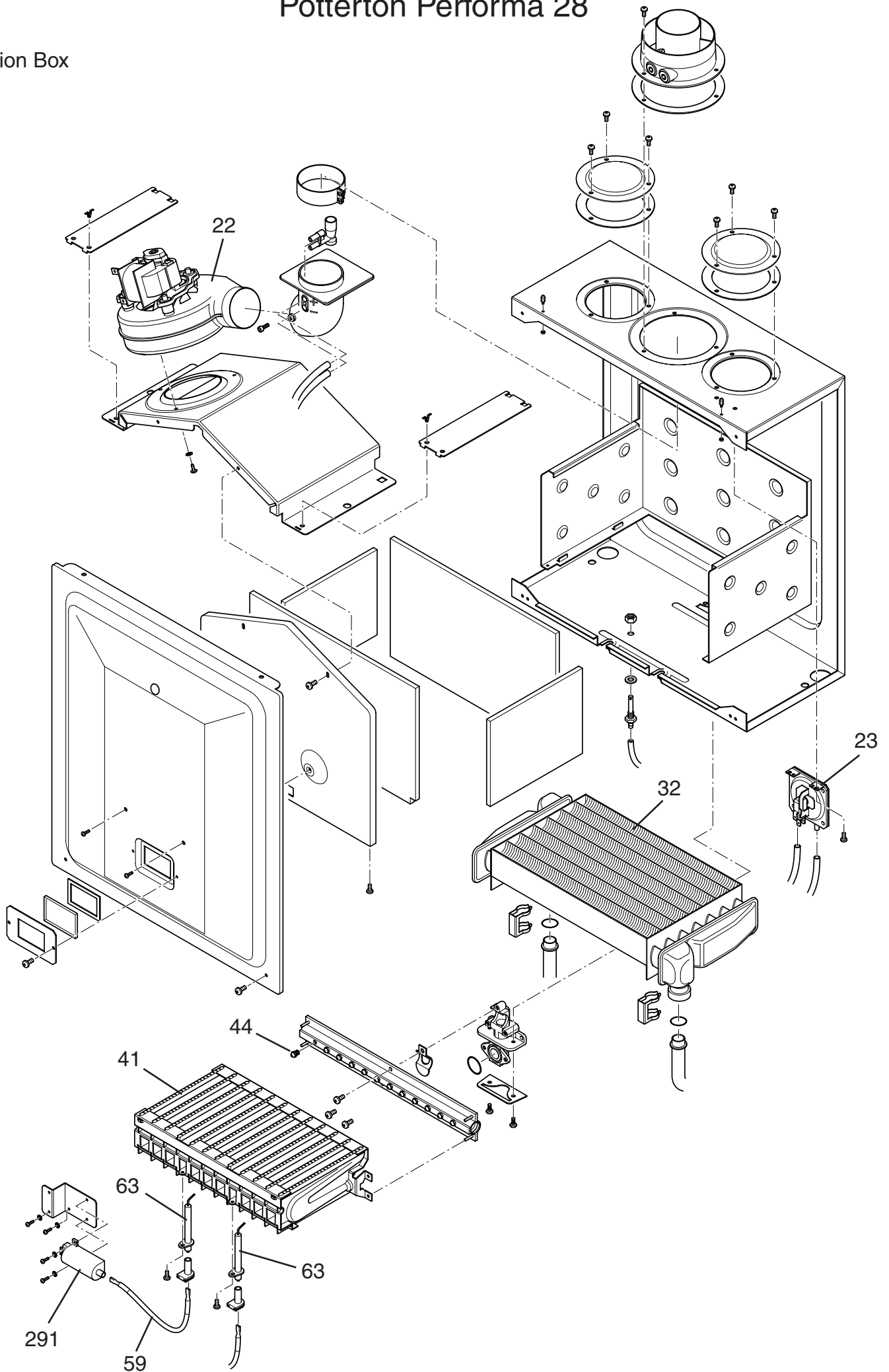
# Potterton Performa 28

## Outer Case



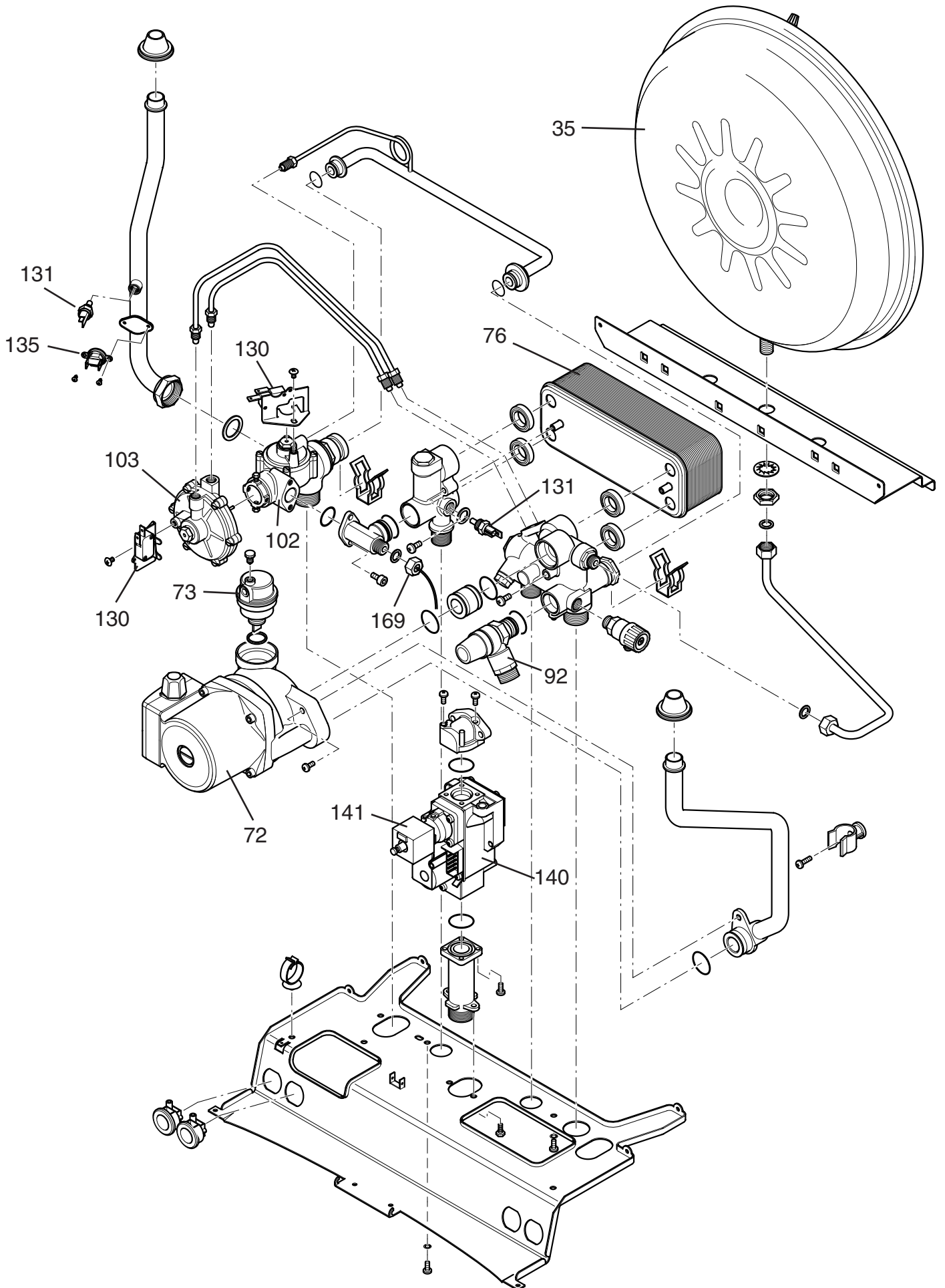
# Potterton Performa 28

Combustion Box



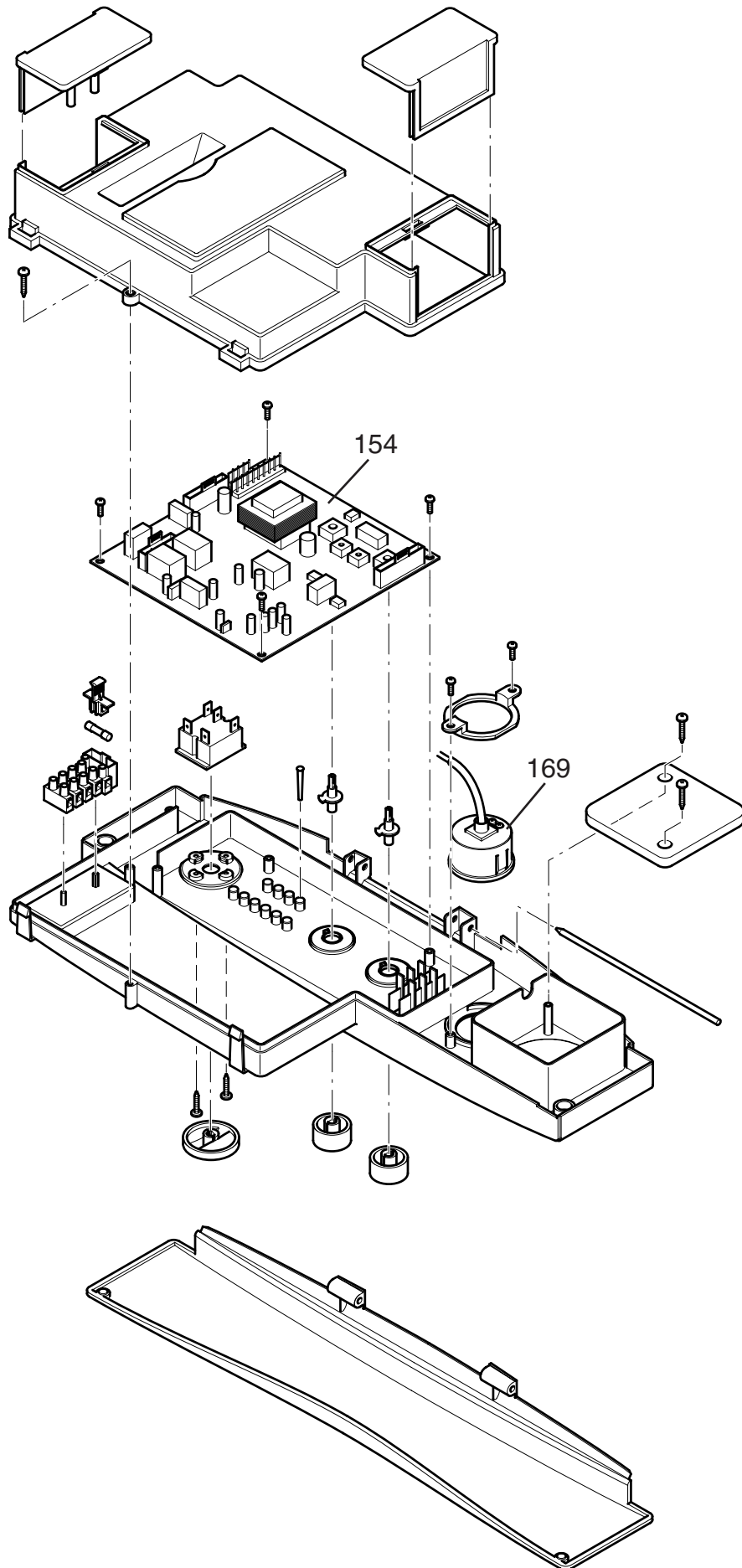
# Potterton Performa 28

## Hydraulics



# Potterton Performa 28

## Controls



# Potterton Performa 28

## Wall Plate

