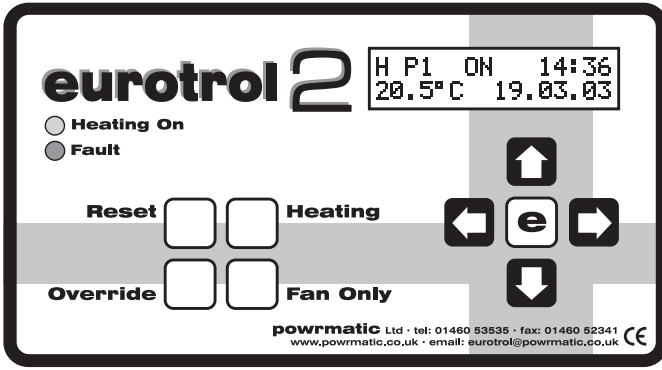


Installation and User Instructions



The eurotrol 2 is a high specification heating controller designed specifically to meet the demands of modern fuel efficient heating equipment and the latest environmental guidelines.

The eurotrol 2 uses optimum start technology as standard. This feature allows the controller to learn the amount of energy required to raise the building temperature to the required level when occupancy begins. The eurotrol 2 is continually monitoring the heating systems previous performance to determine the optimum time to turn the heating on with respect to the climatic conditions at the time.

Optimum stop technology can also be selected which can save energy at the end of the heating period.

Different temperatures may be selected for different times of the day to allow for variations in working practices.

The eurotrol 2 comes preprogrammed with all data and a typical heating schedule. All parameters can be easily adjusted after entering a password which may be assigned by the user using the 5 button keypad. As detailed later in this manual.

The 4 button user keypad may be locked in various combinations to allow different levels of user accessibility.

The eurotrol 2 can give a readout of the hours the burner has operated, to help accessing servicing intervals and after being programmed with the correct data, can also give an indication of the running costs.

These features together with others explained in this manual make the eurotrol 2 one of the most high specification stand alone heating controllers available.

User keypad (4 Buttons)

- Heating** Switches the control to heating mode when in fan only mode. Fan only mode will be reverted to on the next calendar day.
- Fan Only** Switches the control to fan only mode when in heating mode. Heating mode will be reverted to on the next calendar day.
- Reset** Resets the burner from lockout, (when this facility is available), and resets the run log to zero when used in the main menu.
- Override** Pressing once will initiate or cancel the extension time. Holding down for 5 secs. will activate the 'soft override' (will change the programs On or Off state until the next program step). Used as the 'escape key' in the programming menus.

Programming keypad (5 Buttons)

- e** Enters data, traverses between menu screens and data screens. Holding down for 5 secs. will display the run log.
- Up/Down** Traverses between menu screens and increases or decreases the selected values in the data screens.
- Left/Right** Traverses through input sectors on data screens.

The main display

The main display gives extensive information of the operational state of the controller

H P1 ON 14:36 20.5°C 19.03.03	Current time (24 hour clock)	OFF 14:36 20.5°C 19.03.03	Off Mode
H P1 ON 14:36 20.5°C 19.03.03	Current date (day.month.year)	H P1 ON 14:36 20.5°C 19.03.03	Heating Mode
H P1 ON 14:36 20.5°C 19.03.03	Current room temperature	F P1 ON 14:36 20.5°C 19.03.03	Fan only Mode
F P1 ON 14:36 20.5°C 19.03.03	Program No.	H HOL OFF 14:36 20.5°C 19.03.03	Holiday Mode
H EXT ON 14:36 20.5°C 19.03.03	Extension time active	H O/R ON 14:36 20.5°C 19.03.03	Override
LOCKOUT 14:36 20.5°C 19.03.03	Lockout	SERVICE DUE 01460 53535	Service Reminder

Overview

The eurotrol 2 comes preprogrammed with a typical heating program. After installation the minimum setup required will be to program the current time and date. The method of programming this is carried out in a similar manner to that of altering any of the pre-entered data.

Power up

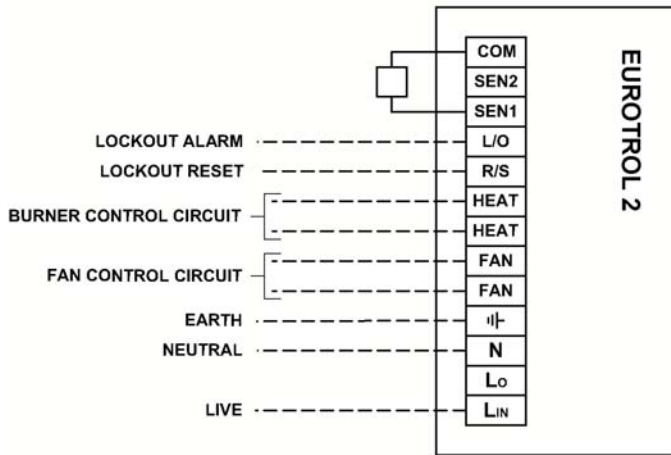
On initial power up a blank display followed by a partial display will appear for up to 15 seconds before the full display.

Programming the date and time

Note: GMT and BST will automatically be set and will change automatically twice each year.

H P1 ON 00:00 20.5°C 01.01.03	From the main screen press	e	to enter the password screen
ENTER PASSWORD 0000	From the password screen press	e	to enter the main menu
MAIN MENU SET MODE ↓	From the main menu screen press	Down Arrow	to enter the programs screen
MAIN MENU PROGRAMS ↑ ↓	From the programs screen press	Down Arrow	to enter the block day temp screen
MAIN MENU BLOCK DAY TEMP ↓	From the block day temp screen press	Down Arrow	to enter the set clock screen
MAIN MENU SET CLOCK ↑ ↓	From the set clock screen press	e	to enter the set clock data screen
SET CLOCK: 00:00 WE 01.01.03	In the set clock data screen press	Up Arrow	to adjust the first hour digit (24H)
SET CLOCK: 10:00 WE 01.01.03	Press	Right Arrow	to move to the next digit, press Up Arrow to adjust the second hour digit
SET CLOCK: 14:30 WE 19.03.03	Press	Right Arrow	to move to the next digit, press Up Arrow to adjust the selected data
SET CLOCK: 14:30 WE 19.03.03	Press	e	to enter the data and return to the set clock screen
MAIN MENU SET CLOCK ↑ ↓	From the set clock screen press	Override Box	to return to the main screen

Connections



POWRMATIC CONTROLLERS EQUIVALENT TERMINAL No's			
EUROTROL 2	POWRTROL	EUROTROL 'OLD'	POWRTROL
FAN →	VENT →	FAN CCT →	6
FAN →	VENT →	FAN CCT →	5
HEAT →	HEAT IN →	CTRL CCT →	2
HEAT →	HEAT OUT →	CTRL CCT →	1
N →	N →	N →	4
LIN →	L →	L →	3

Entering the switching program

Individual days may be programmed with up to 3 entries (P1-P3) and a Monday to Friday block may also be set with a further 3 entries.

Note: A basic program of Monday to Friday on at 08:00 (8am) and off at 17:00 (5pm) and a block temperature of 20°C is preprogrammed into the eurotrol 2.

Block temperatures

A block temperature is set which is automatically entered into every switching program. As each switching program is entered the required temperature may be adjusted without affecting any other entry. If the block temperature setting is subsequently adjusted then all program entries will revert to this temperature

H P1 ON 14:36 From the main screen press to enter the password screen
20.5°C 19.03.03

ENTER PASSWORD 0000 From the password screen press to enter the main menu

MAIN MENU SET MODE ↓ From the main menu screen press to enter the programs screen

MAIN MENU PROGRAMS ↑↓ From the programs screen press to enter the block day temp screen

MAIN MENU BLOCK DAY TEMP ↑↓ From the block day temp screen press to enter the block day temp data screen

SET ALL DAY TEMPS TO: 20°C Use the arrow keys to adjust the block temperature

SET ALL DAY TEMPS TO: 20°C Press to enter the block day temp and return to the previous screen

MAIN MENU BLOCK DAY TEMP ↑↓ From the block day temp screen press to enter the programs screen

MAIN MENU PROGRAMS ↑↓ From the programs screen press to enter the programs data screen

The program

MO P1 20°C ✓ Press to alter the day (individual days are selectable together with MO-FR as one entry)
08:00 → 17:00

MO P1 20°C ✓ Press to select the program number (3 programs P1-P3 are available for each day)
08:00 → 17:00

MO P1 20°C ✓ Press to alter the program number (if required)
08:00 → 17:00

MO P1 20°C ✓ Press to select the temperature to alter (if required)
08:00 → 17:00

MO P1 20°C ✓ Press to select the ✓ or ✗ to alter (✗ will temporarily disable the program entry)
08:00 → 17:00

MO P1 20°C ✓ Press to select the first figure to alter (if required)
08:00 → 17:00

MO P1 20°C ✓ Press and to alter the subsequent figures in the on and off time
08:00 → 17:00

MO P1 20°C ✓ Press to select the day again. Work through subsequent days and programs as required for your program
08:00 → 17:00

MAIN MENU PROGRAMS ↑↓ Press to enter the program and return to the program screen

H P1 ON 14:36 Press **Override** to return to the main display
20.5°C 19.03.03

Sample program

The screens pictured below show the settings required for the following program:

Monday to Friday on between 8am and 1pm controlled at 20°C

Monday to Friday on between 2pm and 5pm controlled at 20°C

Saturday on between 8.30am and 12pm controlled at 18°C

SET ALL DAY TEMPS TO: 20°C 1. Set Block temperature to 20°C
Sets all day temperatures to 20°C

MO-FR P1 20°C ✓ 2. Set MO-FR Program 1: On 08:00 Off 13:00
08:00 → 13:00 Sets these times for Monday through to Friday

MO-FR P2 20°C ✓ 3. Set MO-FR Program 2: On 14:00 Off 17:00
14:00 → 17:00 Sets these times for Monday through to Friday

SA P1 18°C ✓ 4. Set SA Program 1: Temp 18°C: On 08:30 Off 12.30
08:30 → 12:00 Sets these times and temperature for Saturday

Menu Options

Menu and data input screens are selected and data is input, using similar button sequences to that used in setting the clock.

Set Mode

MAIN MENU SET MODE ↓ Main menu: Set mode
Sets the operational mode for the controller.

Holiday dates

HOLIDAY DATES: 01.01 → 01.01 Main menu: Holiday dates
Suspends the program while the building is unoccupied.

Run log

HOURS: 00000:00 Main menu: Run log
COST £0.00 Displays burner hours run and approximate running cost.

Note: Run log may also be displayed from the main display by pressing and holding for 10 secs. (Password not required)

Extension time

EXTENSION TIME: 1hour Advanced menu: Extension time
Extends the current program when is pressed once. **Override**

Constant fan

CONSTANT FAN: OFF Advanced menu: Constant fan.
Heater fan runs constantly during program times in heating mode.

Night temp

NIGHT TEMP: OFF 05°C Advanced menu: Night temp.
Sets temperature that heater operates during program OFF times. May be turned On or OFF

Frost temp

FROST TEMP: ON 03°C Advanced menu: Frost temp.
Sets temperature that heater operates during fan only and OFF mode. May be turned On or OFF

No. of sensors

No OF SENSORS: 1 Advanced menu: No. of sensors.
Sets the number of sensors connected.

Optimum stop

OPTIMUM STOP: 0°C Advanced menu: Optimum stop.
Sets the temperature differential for optimum stop to begin.

Optimum stop:

Set temperature differential (preprogrammed to 0°C).

Optimum stop will switch off the heating to save energy before the end of the program time.

Example: If the heating program calls for the building to be heated to 20°C, but it is felt that at the end of the heating program this temperature could drop to 18°C with no detrimental effect, then the optimum stop should be set to 2°C (20°C - 18°C). This 2°C will be applied to any of the programs in use.

Note: A setting of 0°C effectively turns optimum stop off.

Power and cost

POWER: 0000kW Advanced menu: Power and cost.
COST: 0.000P/kWh Enters data to calculate approximate running cost.

New password

NEW PASSWORD: 0000 Advanced menu: New password.
Sets new password.

Service Date

SERVICE 01.01.03 Advanced menu: Service Date.
OFF _____ Displays service reminder and contact phone No.

Control mode

EXTENDED MENU CONTROL MODE ↓ Extended menu: Control Mode.
Currently unavailable on this model.

Differential

TEMPERATURE DIFF: 1.0°C Advanced menu: Differential.
Sets the switching differential for all set points.

Button Access

EXTENDED MENU BUTTON ACCESS ↑↓ Advanced menu: Button access.
Sets the level of user button access.

Engineer

EXTENDED MENU ENGINEER ↑ Extended menu: Engineer.
This menu only available to powrmatic engineers.

Eurotrol 2 - Menu Layout

H P1 ON 14:36
20.5°C 19.03.03

e

ENTER PASSWORD
0000

e

MAIN MENU
SET MODE ↓

e

SET MODE:
OFF ↓

↓

SET MODE:
FAN ONLY ↓

↓

SET MODE:
HEATING ↑

e

↓ ↑

No program will operate.
Frost control active.

Heater fan operates at dictate
of program, burner control
disabled. Frost control active.

Burner operates at dictate of program.
Controlled by day temp during program ON times
and night temp during Program OFF times

MAIN MENU
PROGRAMS ↑ ↓

e

MO P1 20°C ✓
00:00 → 17:00

e

Refer to program setting on reverse of sheet

↓ ↑

MAIN MENU
BLOCK DAY TEMP ↓

e

SET ALL DAY
TEMPS TO: 20°C

e

Resets all program temperatures

↓ ↑

MAIN MENU
SET CLOCK ↑ ↓

e

SET CLOCK: 12:34
WE 19.03.03

e

Sets current time and date

↓ ↑

MAIN MENU
HOLIDAY DATES ↑ ↓

e

HOLIDAY DATES:
01.01 → 01.01

e

Enter the first days holiday and the first day back (day : month).

↓ ↑

MAIN MENU
RUN LOG ↑ ↓

e

HOURS: 0000:00
COST: £0.00

e

Reset to zero by pressing **Reset**

↓ ↑

MAIN MENU
ADVANCED ↑ ↓

e

ADVANCED MENU
EXTENSION TIME ↓

e

EXTENSION TIME:
1hour

↓ ↑

ADVANCED MENU
CONSTANT FAN ↓

e

CONSTANT FAN:
OFF

e

Set to either On or OFF (preprogrammed to OFF).

↓ ↑

ADVANCED MENU
NIGHT TEMP ↓

e

NIGHT TEMP: OFF
05°C

e

Set temperature and ON or OFF (preprogrammed to OFF).

↓ ↑

ADVANCED MENU
FROST TEMP ↓

e

FROST TEMP: ON
03°C

e

Set temperature and ON or OFF (preprogrammed to ON).

↓ ↑

ADVANCED MENU
No OF SENSORS ↓

e

No OF SENSORS:
1

e

Set to 1 or 2 (preprogrammed to 1).

↓ ↑

ADVANCED MENU
OPTIMUM STOP ↓

e

OPTIMUM STOP:
0°C

e

Set temperature differential (preprogrammed to 0°C).

↓ ↑

ADVANCED MENU
POWER & COST ↓

e

POWER: 0000kW
COST: 0.000p/kWh

e

Enter INPUT power in kW and fuel cost in p/kWh.

↓ ↑

ADVANCED MENU
NEW PASSWORD ↑

e

NEW PASSWORD:
0000

e

Enter new 4 digit password (preprogrammed to 0000).

↓ ↑

ADVANCED MENU
SERVICE DATE ↑

e

SERVICE 01.01.03
OFF

e

Enter Service date, Telephone No. and ON or OFF

↓ ↑

MAIN MENU
EXTENDED ↑

e

EXTENDED MENU
CONTROL MODE ↓

e

CONTROL MODE:

e

No options currently available

↓ ↑

EXTENDED MENU
DIFFERENTIAL ↓

e

TEMPERATURE
DIFF: 1.5°C

e

Adjustable from 0.5°C to 3°C in 0.5°C steps (preprogrammed to 1.0°C).

↓ ↑

EXTENDED MENU
BUTTON ACCESS ↓

e

BUTTON ACCESS:
ALL ACTIVE

↓

BUTTON ACCESS:
ALL LOCKED

↓

BUTTON ACCESS:
RESET ONLY

e

All buttons accessible by user

All buttons locked

Reset button only accessible by user

↓ ↑

EXTENDED MENU
ENGINEER ↑

e

ENTER PASSWORD
0000

e

Password only issued to powrmatic engineers.