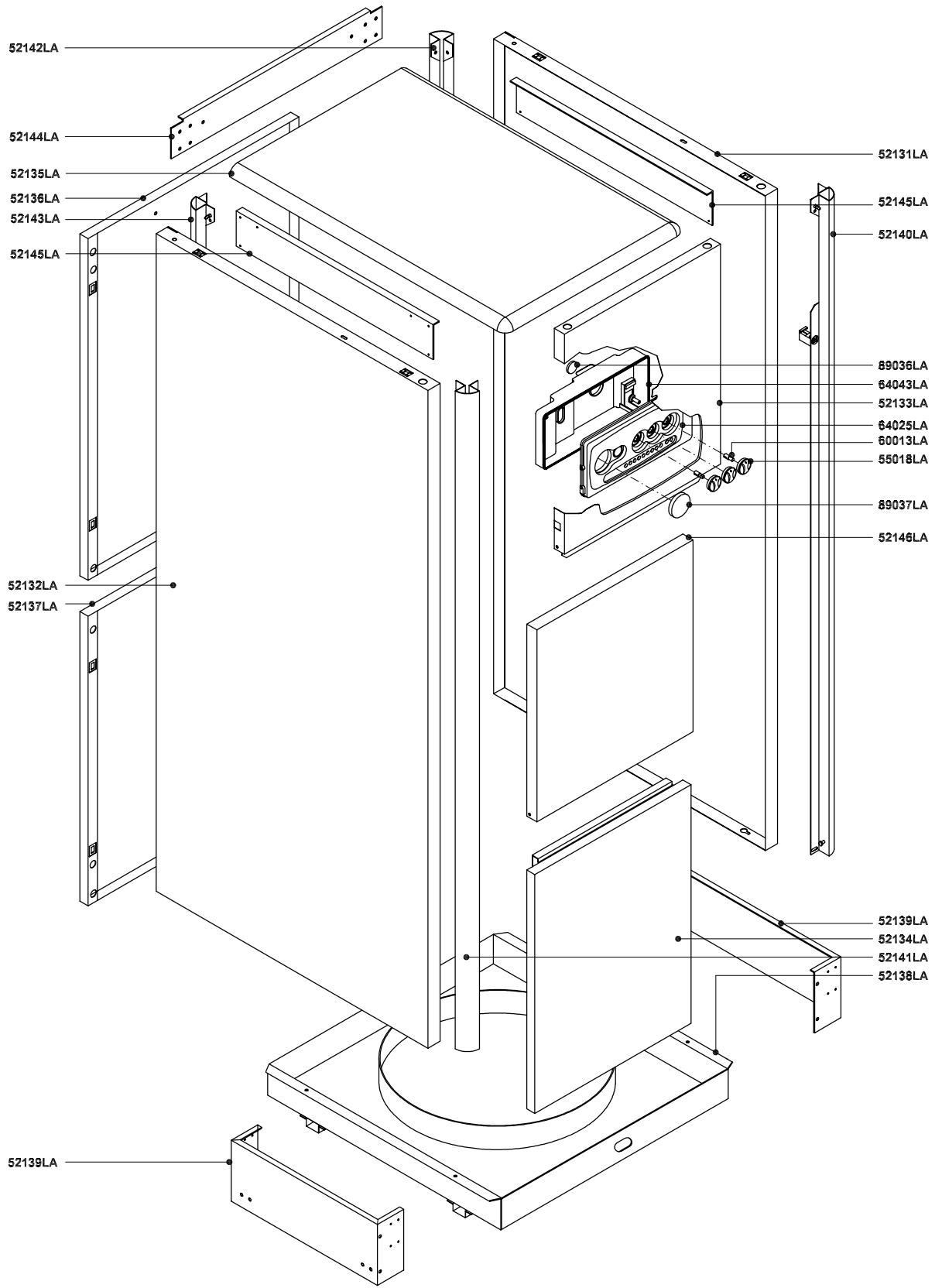


Rev.	Description	Date
------	-------------	------



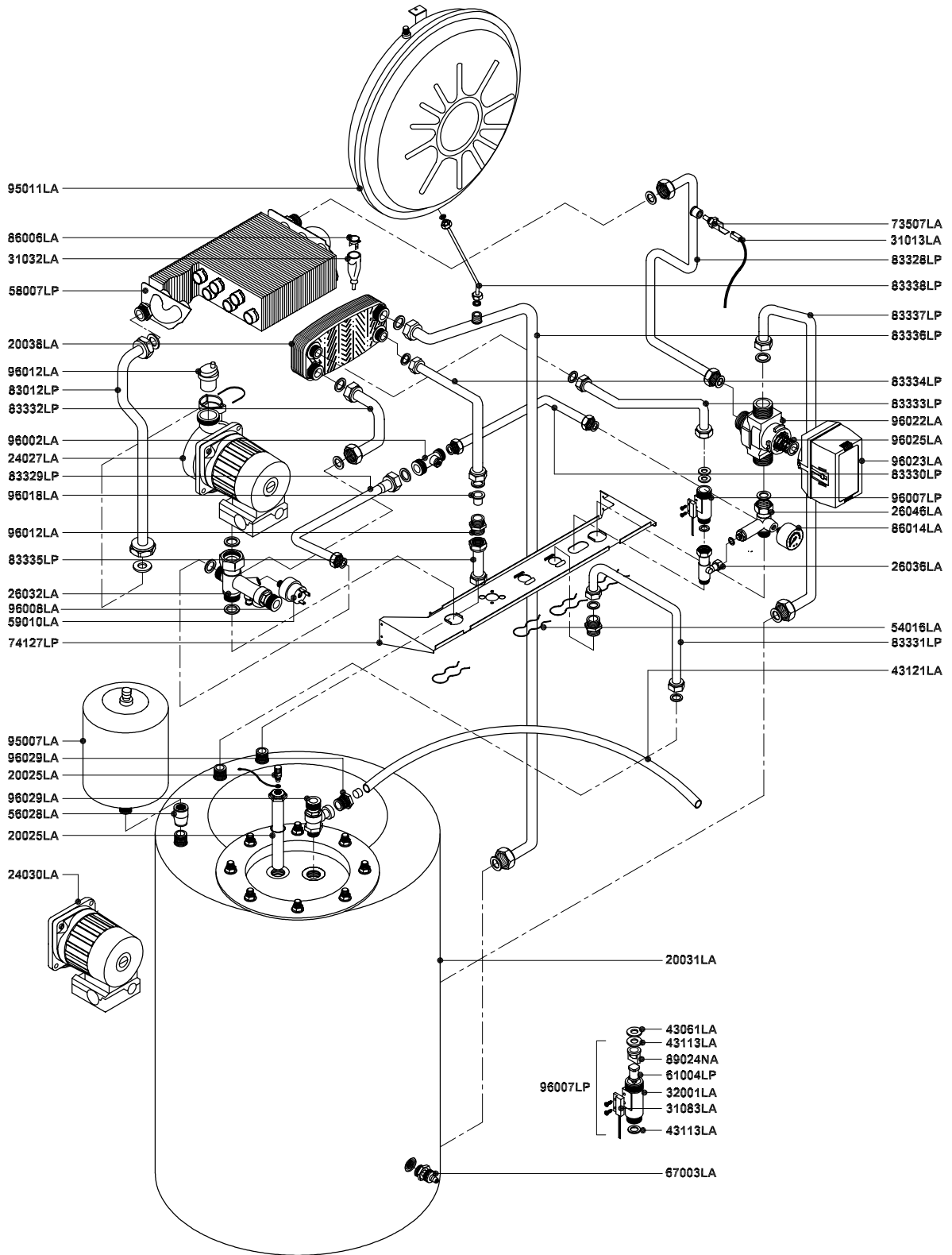
Pos.	Code	Description	Date:	U.M.	Qt.
		Description:	15.10.2000	G38.02.2911	methane
		Wall hung boiler - with D.H.W. storage cylinder spare parts	Scale: ---	G38.02.2912	L.P.G.
		FRAME + CASING COMPONENTS	Department: tecnico		
		Object / model:	Designed by:		heavy oil
		mod. RBA CS 100 E	Controlled by:		
		<i>room sealed - electronic ignition</i>	Approved by:	Sheet no.:	B0145_AB1

ALL DESCRIPTIONS AND ILLUSTRATIONS CONTAINED IN THIS LEAFLET HAVE BEEN CAREFULLY PREPARED BUT WE RESERVE THE RIGHT TO MAKE CHANGES AND IMPROVEMENTS IN OUR PRODUCTS WHICH MAY AFFECT THE ACCURACY OF THE INFORMATION CONTAINED IN THIS LEAFLET. E + OF ALL RIGHTS RESERVED. NO PART OF THIS DOCUMENT MAY BE REPRODUCED, STORED IN RETRIEVAL SYSTEMS OR TRANSMITTED IN ANY FORM OR BY ANY MEANS, WHETHER ELECTRONIC, MECHANICAL, PHOTOCOPIING, RECORDING OR OTHERWISE, WITHOUT THE MANUFACTURER'S PRIOR AUTHORIZATION IN WRITING.

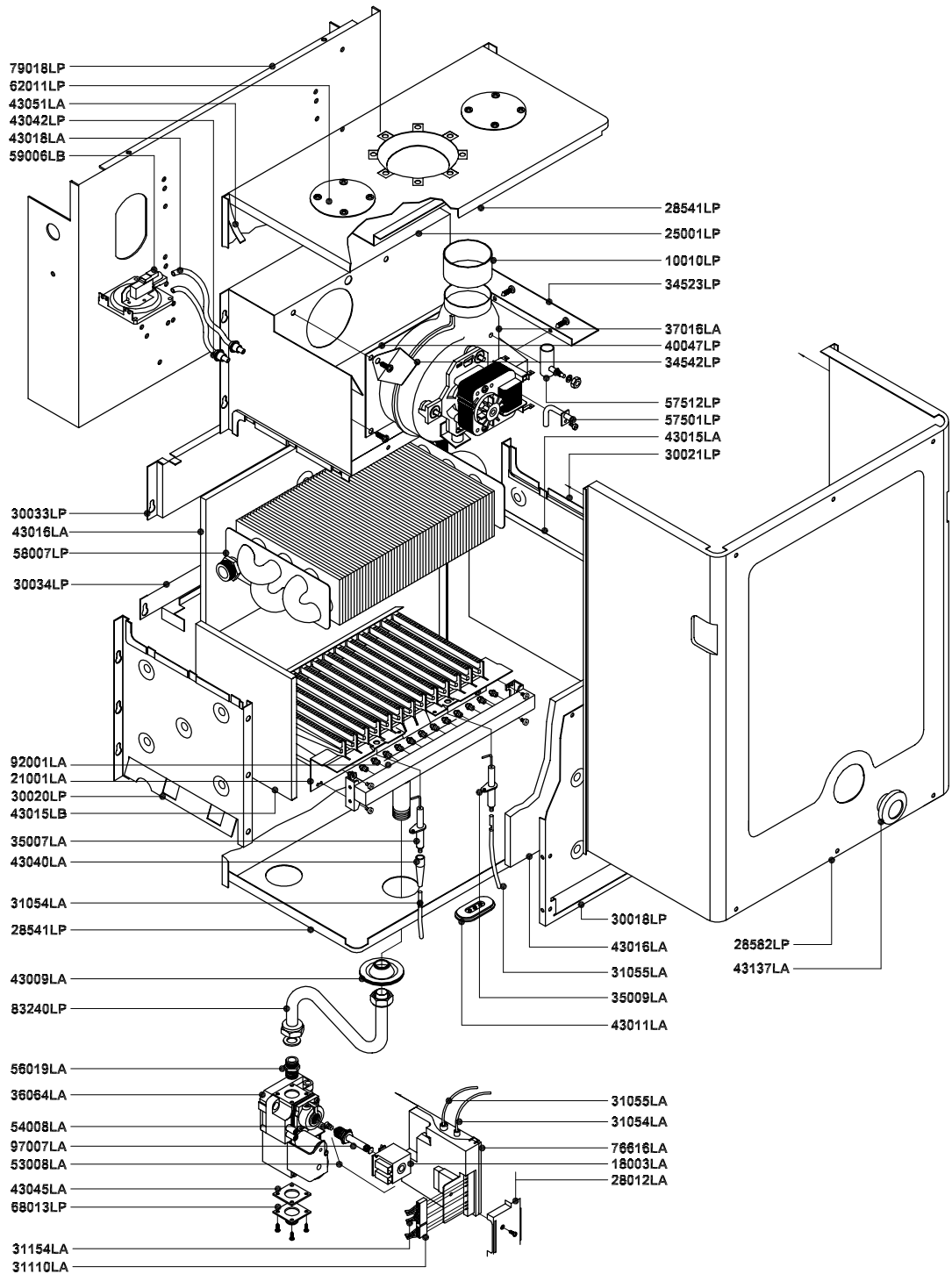
Rev.

Description

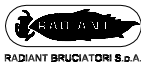
Date



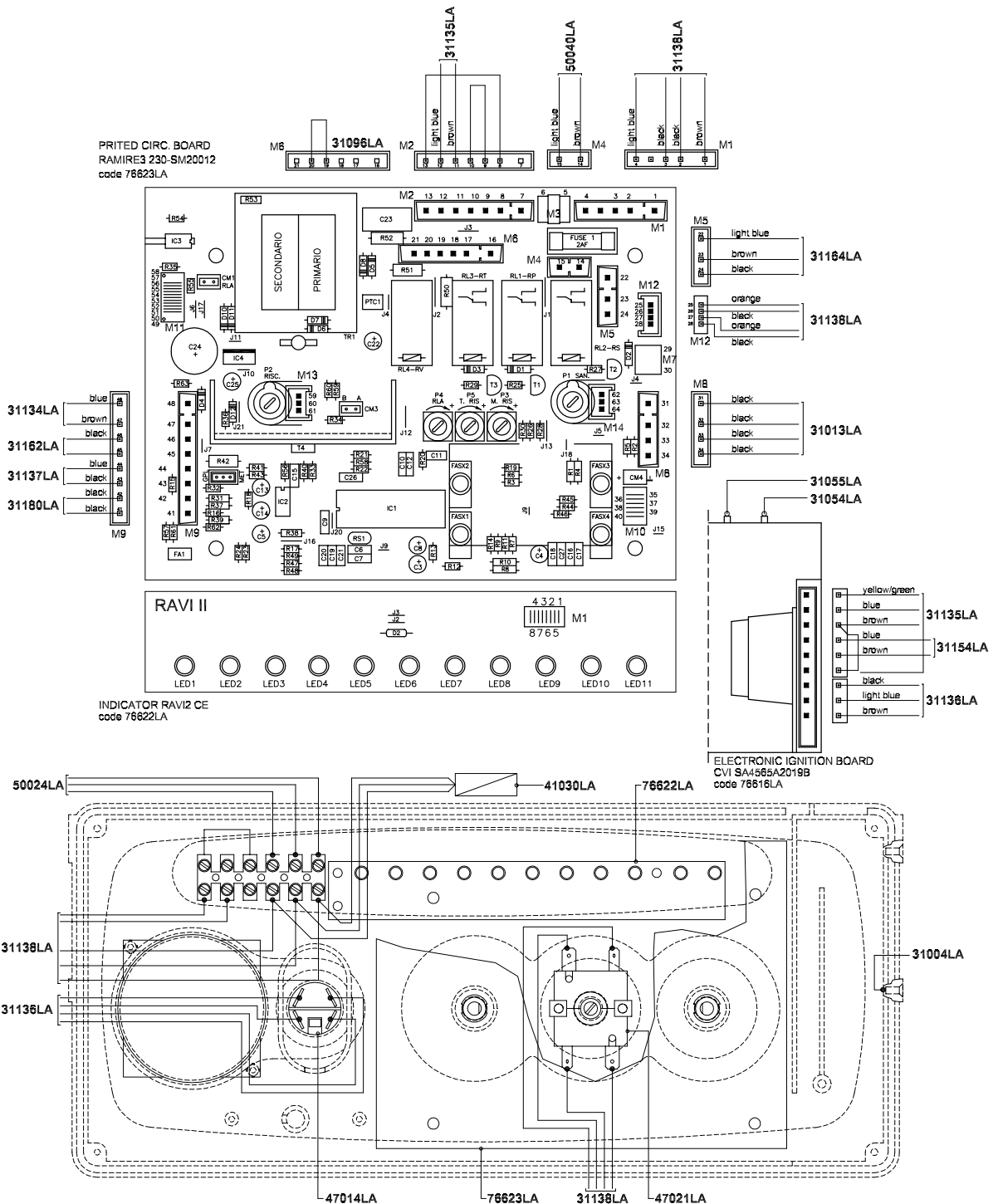
Pos.	Code	Description	U.M.	Qt.
		Description:	Date: 15.10.2000	G38.02.2911 methane
		Wall hung boiler - with D.H.W. storage cylinder spare parts	Scale: ---	G38.02.2912 L.P.G.
		HYDRAULIC SYSTEM	Department: tecnico	
		Object / model:	Designed by:	heavy oil
		mod. RBA CS 100 E	Controlled by:	
		<i>room sealed - electronic ignition</i>	Approved by:	Sheet no.: B0146_AB1
<small>ALL DESCRIPTIONS AND ILLUSTRATIONS CONTAINED IN THIS LEAFLET HAVE BEEN CAREFULLY PREPARED BUT WE RESERVE THE RIGHT TO MAKE CHANGES AND IMPROVEMENTS IN OUR PRODUCTS WHICH MAY AFFECT THE ACCURACY OF THE INFORMATION CONTAINED IN THIS LEAFLET. E + OF ALL RIGHTS RESERVED. NO PART OF THIS DOCUMENT MAY BE REPRODUCED, STORED IN RETRIEVAL SYSTEMS OR TRANSMITTED IN ANY FORM OR BY ANY MEANS, WHETHER ELECTRONIC, MECHANICAL, PHOTOCOPIING, RECORDING OR OTHERWISE, WITHOUT THE MANUFACTURER'S PRIOR AUTHORIZATION IN WRITING.</small>				



Pos.	Code	Description	U.M.	Qt.
		Description:	Date: 15.10.2000	G38.02.2911 methane
		Wall hung boiler - with D.H.W. storage cylinder spare parts	Scale: ---	G38.02.2912 L.P.G.
		THERMAL SYSTEM	Department: tecnico	
		Object / model:	Designed by:	heavy oil
		mod. RBA CS 100 E	Controlled by:	
		<i>room sealed - electronic ignition</i>	Approved by:	Sheet no.: B0147_AB1
<small>ALL DESCRIPTIONS AND ILLUSTRATIONS CONTAINED IN THIS LEAFLET HAVE BEEN CAREFULLY PREPARED BUT WE RESERVE THE RIGHT TO MAKE CHANGES AND IMPROVEMENTS IN OUR PRODUCTS WHICH MAY AFFECT THE ACCURACY OF THE INFORMATION CONTAINED IN THIS LEAFLET. E + OF ALL RIGHTS RESERVED. NO PART OF THIS DOCUMENT MAY BE REPRODUCED, STORED IN RETRIEVAL SYSTEMS OR TRANSMITTED IN ANY FORM OR BY ANY MEANS, WHETHER ELECTRONIC, MECHANICAL, PHOTOCOPIING, RECORDING OR OTHERWISE, WITHOUT THE MANUFACTURER'S PRIOR AUTHORIZATION IN WRITING.</small>				



RADIANT BRUCIATORI S.p.A.



Pos.	Code	Description	U.M.	Qt.
		Description: Wall hung boiler - with D.H.W. storage cylinder spare parts ELECTRIC SYSTEM		
		Object / model: mod. RBA CS 100 E room sealed - electronic ignition		
		Date: 15.10.2000	G38.02.2911	methane
		Scale: ---	G38.02.2912	L.P.G.
		Department: tecnico		
		Designed by:		heavy oil
		Controlled by:		
		Approved by:	Sheet no.:	B0148_AB1

ALL DESCRIPTIONS AND ILLUSTRATIONS CONTAINED IN THIS LEAFLET HAVE BEEN CAREFULLY PREPARED BUT WE RESERVE THE RIGHT TO MAKE CHANGES AND IMPROVEMENTS IN OUR PRODUCTS WHICH MAY AFFECT THE ACCURACY OF THE INFORMATION CONTAINED IN THIS LEAFLET. E + O
ALL RIGHTS RESERVED. NO PART OF THIS DOCUMENT MAY BE REPRODUCED, STORED IN RETRIEVAL SYSTEMS OR TRANSMITTED IN ANY FORM OR BY ANY MEANS, WHETHER ELECTRONIC, MECHANICAL, PHOTOCOPIING, RECORDING OR OTHERWISE, WITHOUT THE MANUFACTURER'S PRIOR AUTHORIZATION IN WRITING.