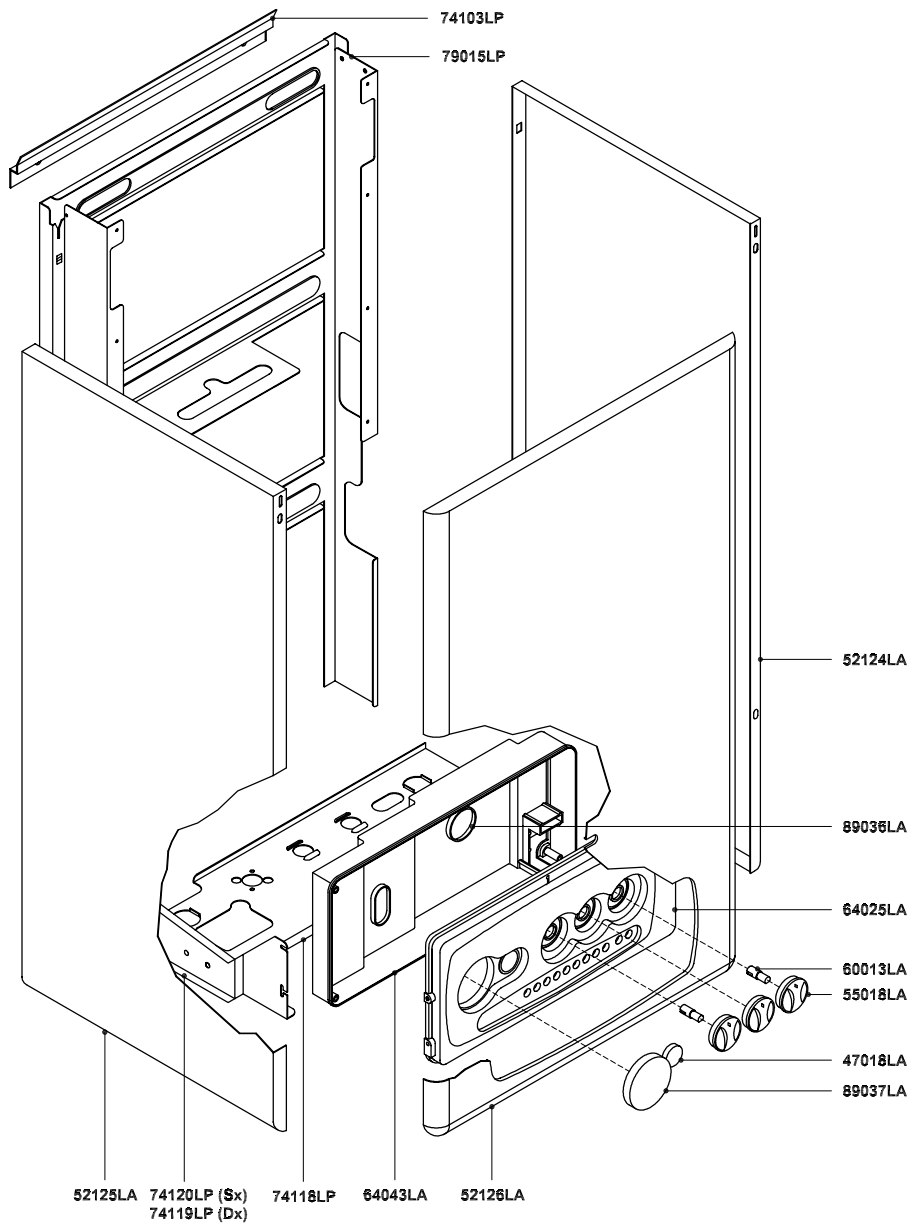
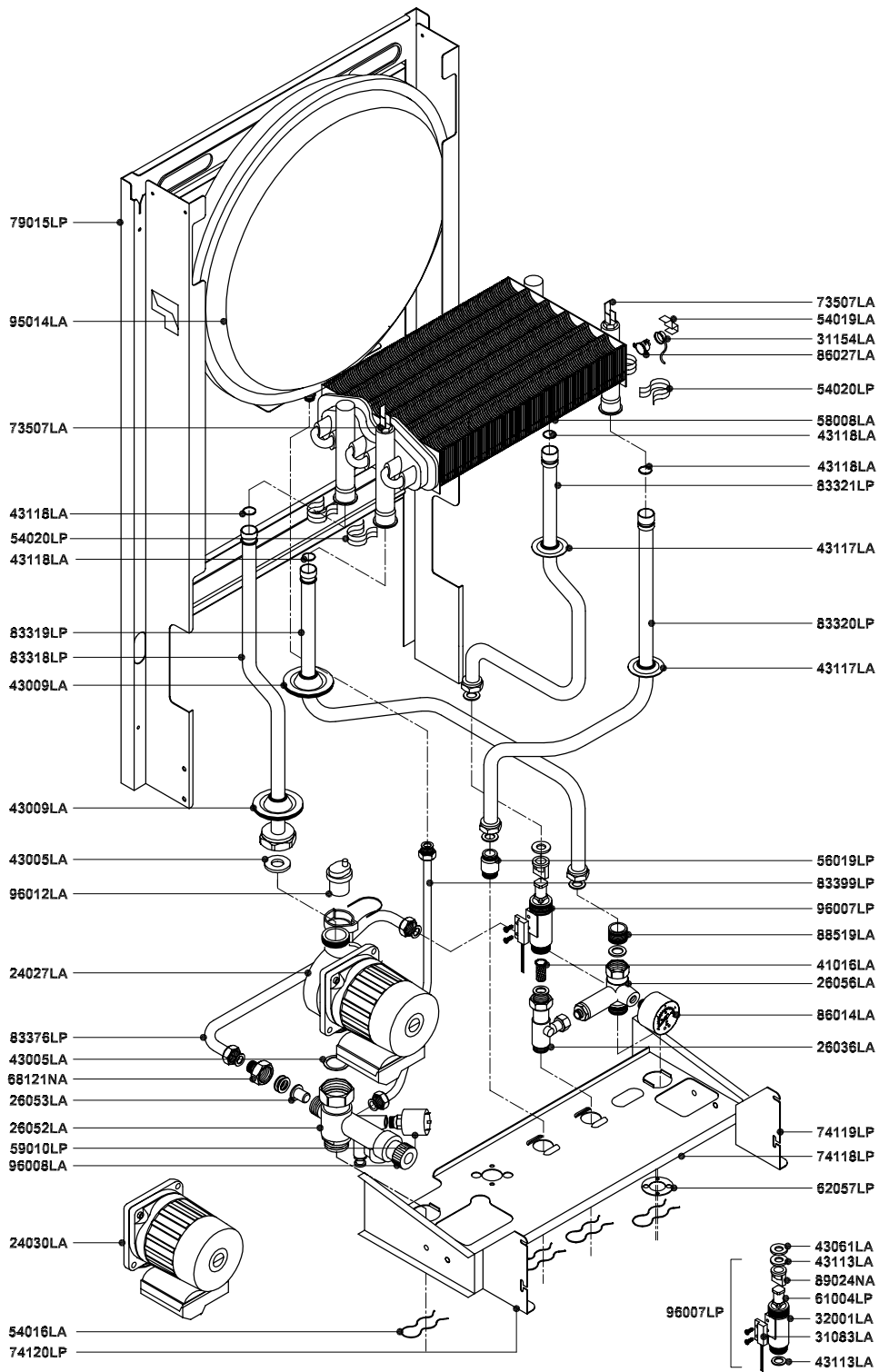


Rev.	Description	Date
------	-------------	------



Pos.	Code	Description	Date:	U.M.	Qt.
		Description: <b>Wall hung boiler - spare parts</b> <b>FRAME and CASING COMPONENTS</b>	<b>06.09.2000</b>	G00.02.2301	methane
		Object / model: <b>mod. RBS 20 E</b> <i>room sealed - electronic ignition</i>	Scale: ---	G00.02.2302	L.P.G.
			Department: tecnico		
			Designed by:		heavy oil
			Controlled by:		
			Approved by:	Sheet no.:	<b>B0017_AB1</b>
<small>ALL DESCRIPTIONS AND ILLUSTRATIONS CONTAINED IN THIS LEAFLET HAVE BEEN CAREFULLY PREPARED BUT WE RESERVE THE RIGHT TO MAKE CHANGES AND IMPROVEMENTS IN OUR PRODUCTS WHICH MAY AFFECT THE ACCURACY OF THE INFORMATION CONTAINED IN THIS LEAFLET. E + O ALL RIGHTS RESERVED. NO PART OF THIS DOCUMENT MAY BE REPRODUCED, STORED IN RETRIEVAL SYSTEMS OR TRANSMITTED IN ANY FORM OR BY ANY MEANS, WHETHER ELECTRONIC, MECHANICAL, PHOTOCOPIING, RECORDING OR OTHERWISE, WITHOUT THE MANUFACTURER'S PRIOR AUTHORIZATION IN WRITING.</small>					



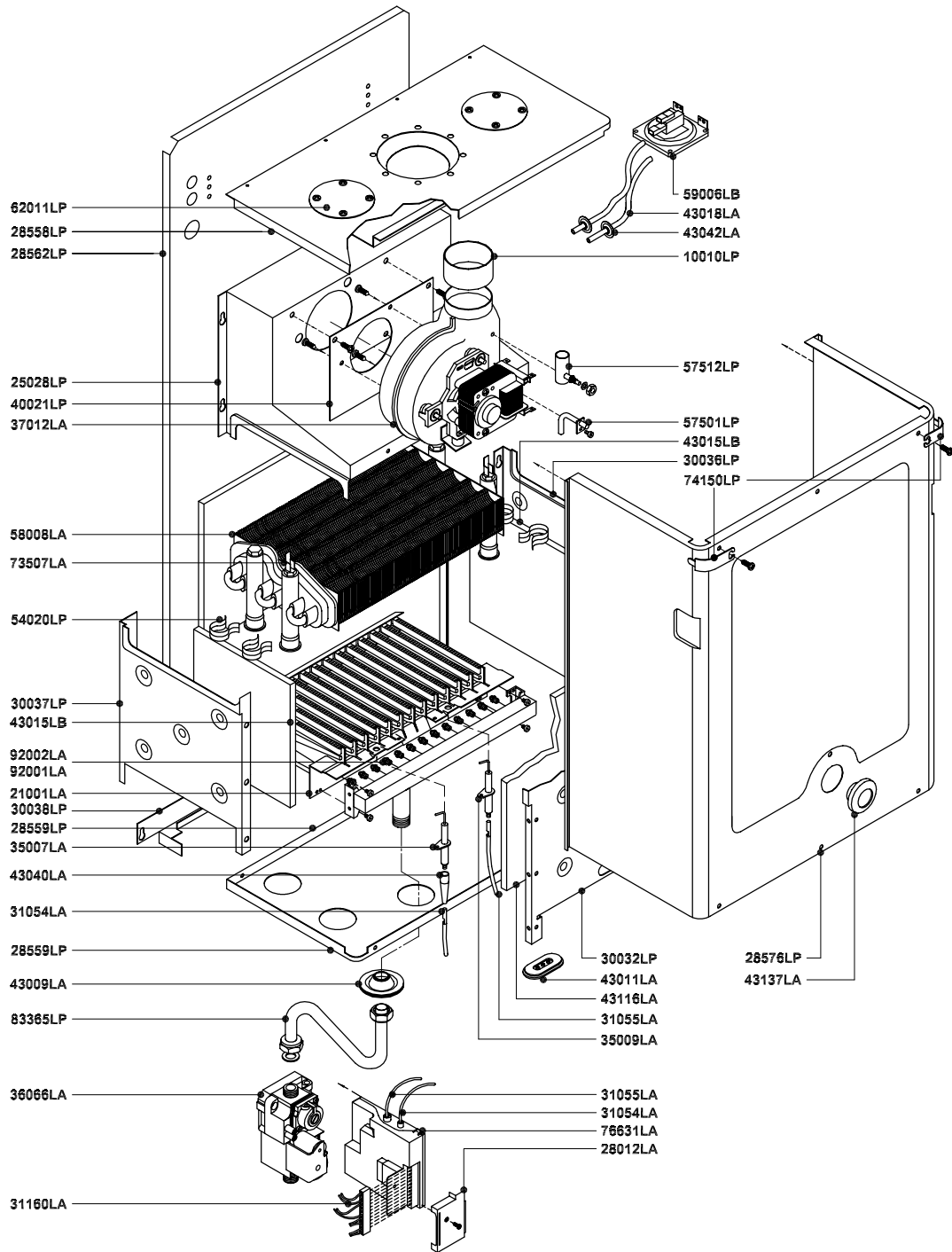


Pos.	Code	Description	Date:	U.M.	Qt.
		Description:	06.09.2000	G00.02.2301	methane
		<b>Wall hung boiler - spare parts</b>	Scale: ---	G00.02.2302	L.P.G.
		<b>HYDRAULIC SYSTEM</b>	Department: tecnico		
		Object / model:	Designed by:		heavy oil
		<b>mod. RBS 20 E</b>	Controlled by:		
		<i>room sealed - electronic ignition</i>	Approved by:	Sheet no.:	<b>B0018_AB1</b>
<small>ALL DESCRIPTIONS AND ILLUSTRATIONS CONTAINED IN THIS LEAFLET HAVE BEEN CAREFULLY PREPARED BUT WE RESERVE THE RIGHT TO MAKE CHANGES AND IMPROVEMENTS IN OUR PRODUCTS WHICH MAY AFFECT THE ACCURACY OF THE INFORMATION CONTAINED IN THIS LEAFLET. E + OF ALL RIGHTS RESERVED. NO PART OF THIS DOCUMENT MAY BE REPRODUCED, STORED IN RETRIEVAL SYSTEMS OR TRANSMITTED IN ANY FORM OR BY ANY MEANS, WHETHER ELECTRONIC, MECHANICAL, PHOTOCOPIING, RECORDING OR OTHERWISE, WITHOUT THE MANUFACTURER'S PRIOR AUTHORIZATION IN WRITING.</small>					

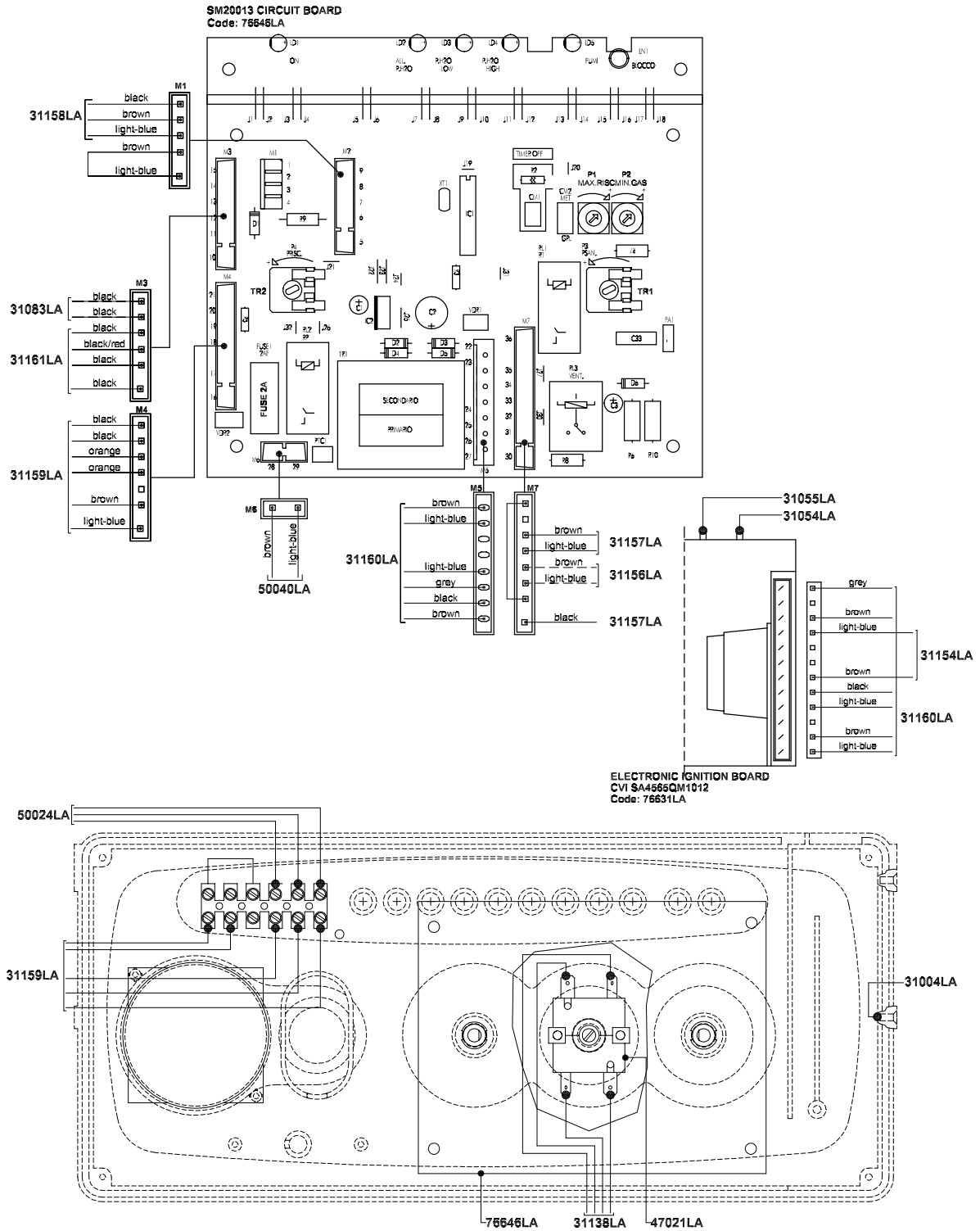
Rev.

Description

Date



Pos.	Code	Description	U.M.	Qt.
		Description:	Date: 06.09.2000	G00.02.2301 methane
		<b>Wall hung boiler - spare parts</b>	Scale: ---	G00.02.2302 L.P.G.
		<b>THERMAL SYSTEM</b>	Department: tecnico	
		Object / model:	Designed by:	heavy oil
		<b>mod. RBS 20 E</b>	Controlled by:	
		<i>room sealed - electronic ignition</i>	Approved by:	Sheet no.: <b>B0019_AB1</b>
<small>ALL DESCRIPTIONS AND ILLUSTRATIONS CONTAINED IN THIS LEAFLET HAVE BEEN CAREFULLY PREPARED BUT WE RESERVE THE RIGHT TO MAKE CHANGES AND IMPROVEMENTS IN OUR PRODUCTS WHICH MAY AFFECT THE ACCURACY OF THE INFORMATION CONTAINED IN THIS LEAFLET. E + O            ALL RIGHTS RESERVED. NO PART OF THIS DOCUMENT MAY BE REPRODUCED, STORED IN RETRIEVAL SYSTEMS OR TRANSMITTED IN ANY FORM OR BY ANY MEANS, WHETHER ELECTRONIC, MECHANICAL, PHOTOCOPIING, RECORDING OR OTHERWISE, WITHOUT THE MANUFACTURER'S PRIOR AUTHORIZATION IN WRITING.</small>				



Pos.	Code	Description	U.M.	Qt.
		Description:		
		<b>Wall hung boiler - spare parts</b>	G00.02.2301	methane
		<b>ELECTRIC SYSTEM</b>	G00.02.2302	L.P.G.
		Object / model:		
		<b>mod. RBS 20 E</b>		heavy oil
		<i>room sealed - electronic ignition</i>		
		Date: 06.09.2000		
		Scale: ---		
		Department: tecnico		
		Designed by:		
		Controlled by:		
		Approved by:		
		Code no.:		
		Sheet no.:	<b>B0020_AB1</b>	

ALL DESCRIPTIONS AND ILLUSTRATIONS CONTAINED IN THIS LEAFLET HAVE BEEN CAREFULLY PREPARED BUT WE RESERVE THE RIGHT TO MAKE CHANGES AND IMPROVEMENTS IN OUR PRODUCTS WHICH MAY AFFECT THE ACCURACY OF THE INFORMATION CONTAINED IN THIS LEAFLET. E + OF ALL RIGHTS RESERVED. NO PART OF THIS DOCUMENT MAY BE REPRODUCED, STORED IN RETRIEVAL SYSTEMS OR TRANSMITTED IN ANY FORM OR BY ANY MEANS, WHETHER ELECTRONIC, MECHANICAL, PHOTOCOPIING, RECORDING OR OTHERWISE, WITHOUT THE MANUFACTURER'S PRIOR AUTHORIZATION IN WRITING.