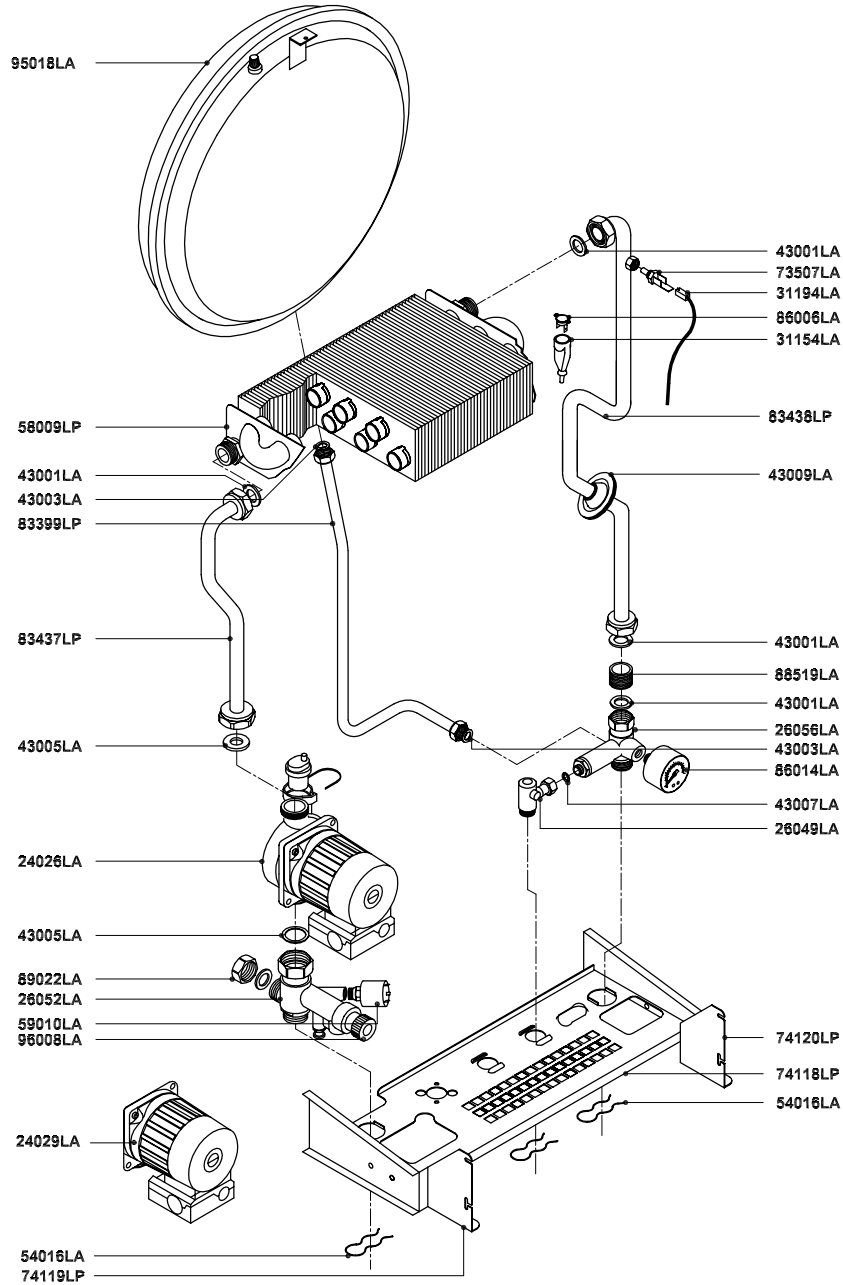


Pos.	Code	Description	Date:	U.M.	Qt.
		Description: <b>Only heating wall hung boiler - Spare parts</b> <b>FRAME and CASING COMPONENTS</b>	06.09.2000	G00.02.2221	methane
		Object / model: <b>mod. RS 30 E</b> <i>room sealed - electronic ignition</i>	Scale: ---	G00.02.2222	L.P.G.
			Department: tecnico		
			Designed by:		heavy oil
			Controlled by:		
			Approved by:	Sheet no.:	<b>B0183_AB1</b>
<small>ALL DESCRIPTIONS AND ILLUSTRATIONS CONTAINED IN THIS LEAFLET HAVE BEEN CAREFULLY PREPARED BUT WE RESERVE THE RIGHT TO MAKE CHANGES AND IMPROVEMENTS IN OUR PRODUCTS WHICH MAY AFFECT THE ACCURACY OF THE INFORMATION CONTAINED IN THIS LEAFLET. E + O ALL RIGHTS RESERVED. NO PART OF THIS DOCUMENT MAY BE REPRODUCED, STORED IN RETRIEVAL SYSTEMS OR TRANSMITTED IN ANY FORM OR BY ANY MEANS, WHETHER ELECTRONIC, MECHANICAL, PHOTOCOPIING, RECORDING OR OTHERWISE, WITHOUT THE MANUFACTURER'S PRIOR AUTHORIZATION IN WRITING.</small>					

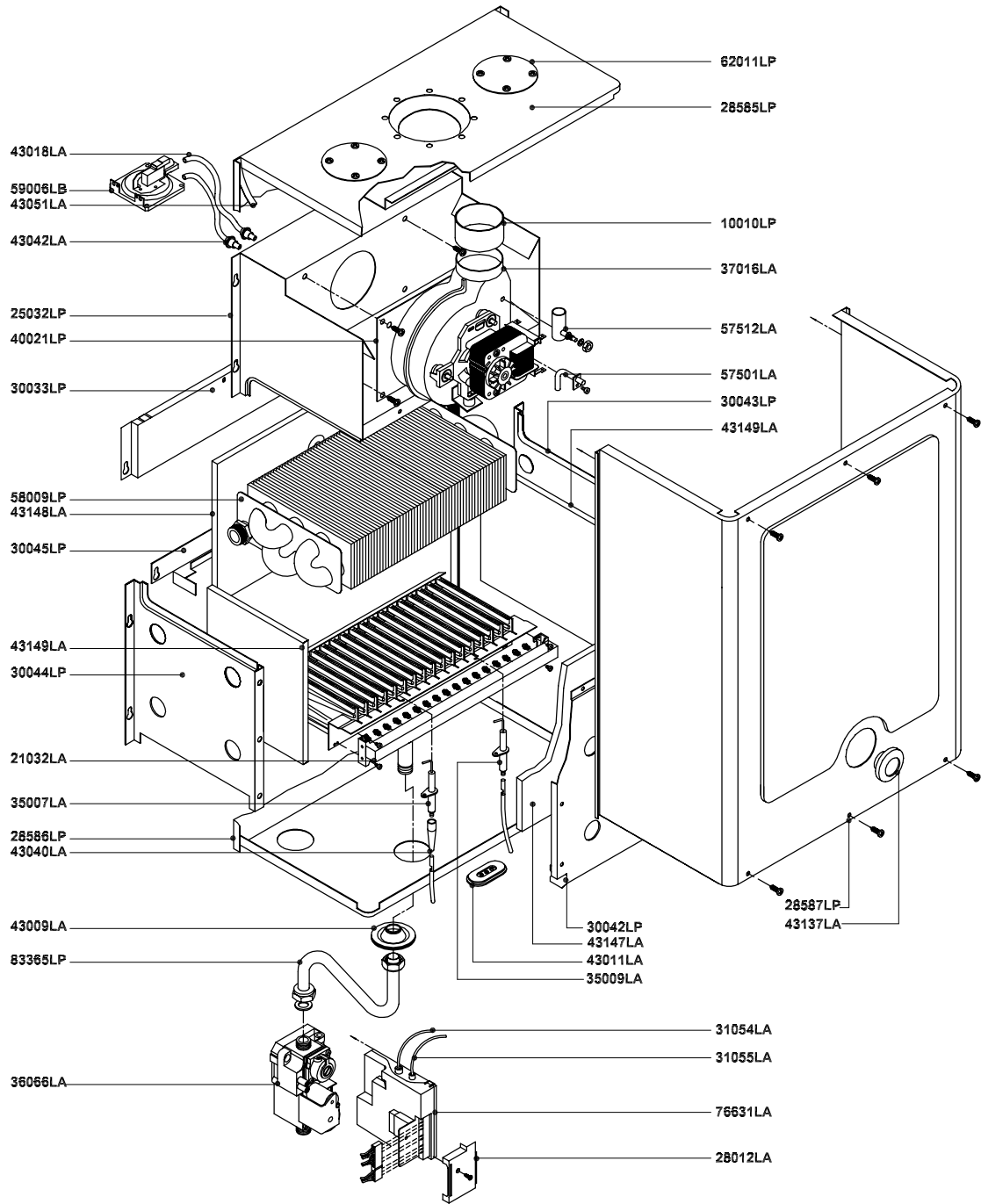




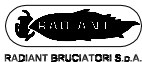
Pos.	Code	Description	Date:	U.M.	Qt.
		Description: <b>Only heating wall hung boiler - spare parts</b> <b>HYDRAULIC SYSTEM</b>	06.09.2000	G00.02.2221	methane
		Object / model: <b>mod. RS 30 E</b> <i>open combustion chamber - electronic ignition</i>	Scale: ---	G00.02.2222	L.P.G.
			Department: tecnico		
			Designed by:		heavy oil
			Controlled by:		
			Approved by:	Sheet no.:	<b>B0184_AB1</b>
<small>ALL DESCRIPTIONS AND ILLUSTRATIONS CONTAINED IN THIS LEAFLET HAVE BEEN CAREFULLY PREPARED BUT WE RESERVE THE RIGHT TO MAKE CHANGES AND IMPROVEMENTS IN OUR PRODUCTS WHICH MAY AFFECT THE ACCURACY OF THE INFORMATION CONTAINED IN THIS LEAFLET. E + OF ALL RIGHTS RESERVED. NO PART OF THIS DOCUMENT MAY BE REPRODUCED, STORED IN RETRIEVAL SYSTEMS OR TRANSMITTED IN ANY FORM OR BY ANY MEANS, WHETHER ELECTRONIC, MECHANICAL, PHOTOCOPIING, RECORDING OR OTHERWISE, WITHOUT THE MANUFACTURER'S PRIOR AUTHORIZATION IN WRITING.</small>					

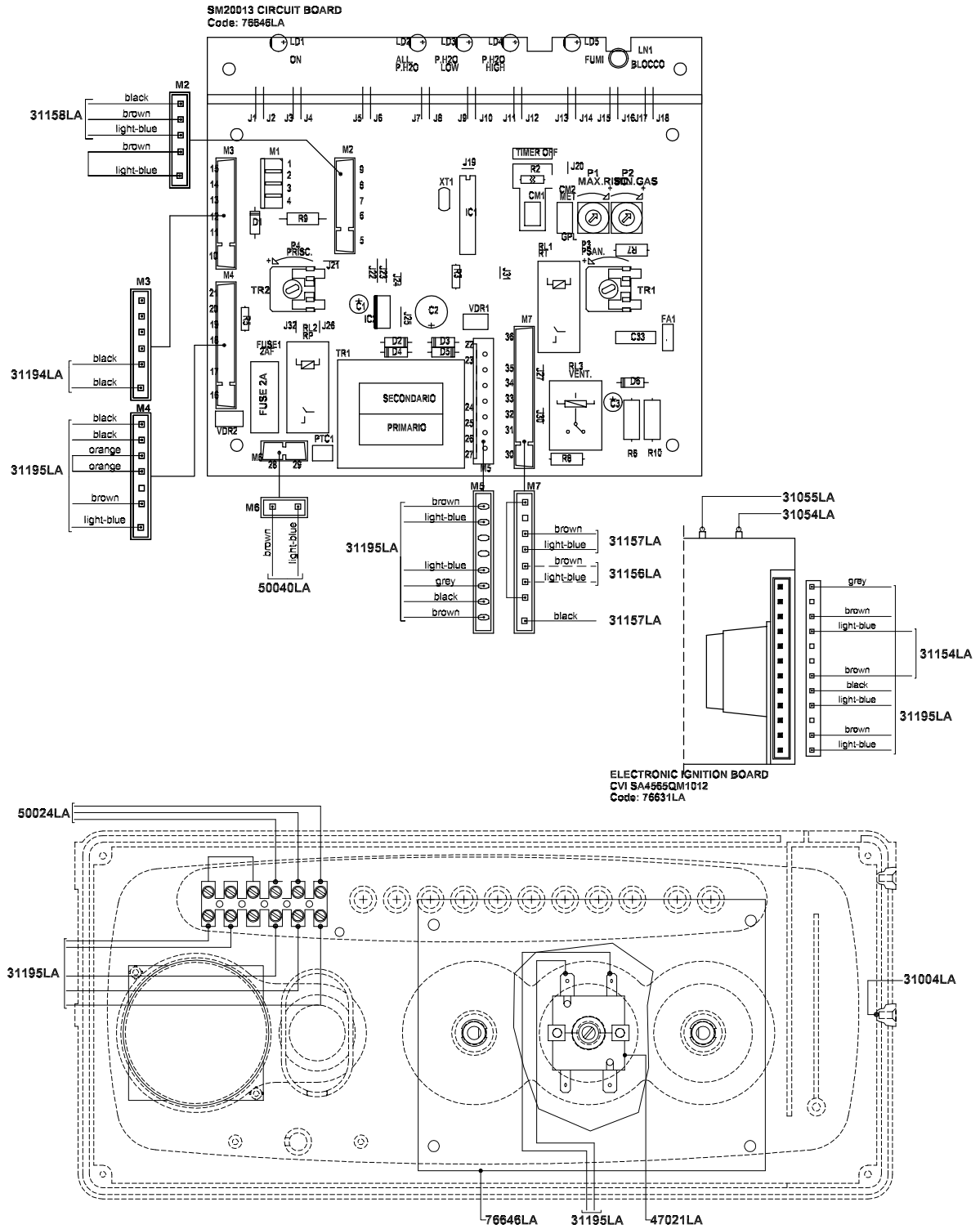


RADIANT BRUCIATORI S.p.A.



Pos.	Code	Description	U.M.	Qt.
		Description:	Date: 06.09.2000	G00.02.2221 methane
		<b>Only heating wall hung boiler - spare parts</b>	Scale: ---	G00.02.2222 L.P.G.
		<b>THERMAL SYSTEM</b>	Department: tecnico	
		Object / model:	Designed by:	heavy oil
		<b>mod. RS 30 E</b>	Controlled by:	
		<i>open chamber - electronic ignition</i>	Approved by:	Sheet no.: <b>B0185_AB1</b>
<small>ALL DESCRIPTIONS AND ILLUSTRATIONS CONTAINED IN THIS LEAFLET HAVE BEEN CAREFULLY PREPARED BUT WE RESERVE THE RIGHT TO MAKE CHANGES AND IMPROVEMENTS IN OUR PRODUCTS WHICH MAY AFFECT THE ACCURACY OF THE INFORMATION CONTAINED IN THIS LEAFLET. E - OF ALL RIGHTS RESERVED. NO PART OF THIS DOCUMENT MAY BE REPRODUCED, STORED IN RETRIEVAL SYSTEMS OR TRANSMITTED IN ANY FORM OR BY ANY MEANS, WHETHER ELECTRONIC, MECHANICAL, PHOTOCOPIING, RECORDING OR OTHERWISE, WITHOUT THE MANUFACTURER'S PRIOR AUTHORIZATION IN WRITING.</small>				





Pos.	Code	Description	U.M.	Qt.
		Description:		
		<b>Only heating wall hung boiler - spare parts</b>		
		<b>ELECTRIC SYSTEM</b>		
		Object / model:		
		<b>mod. RS 30 E</b>		
		<i>room sealed - electronic ignition</i>		
		Date: 06.09.2000	G00.02.2221	methane
		Scale: ---	G00.02.2222	L.P.G.
		Department: tecnico		
		Designed by:		
		Controlled by:		heavy oil
		Approved by:	Sheet no.:	<b>B0186_AB1</b>

ALL DESCRIPTIONS AND ILLUSTRATIONS CONTAINED IN THIS LEAFLET HAVE BEEN CAREFULLY PREPARED BUT WE RESERVE THE RIGHT TO MAKE CHANGES AND IMPROVEMENTS IN OUR PRODUCTS WHICH MAY AFFECT THE ACCURACY OF THE INFORMATION CONTAINED IN THIS LEAFLET. E - OF ALL RIGHTS IS RESERVED. NO PART OF THIS DOCUMENT MAY BE REPRODUCED, STORED IN RETRIEVAL SYSTEMS OR TRANSMITTED IN ANY FORM OR BY ANY MEANS, WHETHER ELECTRONIC, MECHANICAL, PHOTOCOPIING, RECORDING OR OTHERWISE, WITHOUT THE MANUFACTURER'S PRIOR AUTHORIZATION IN WRITING.