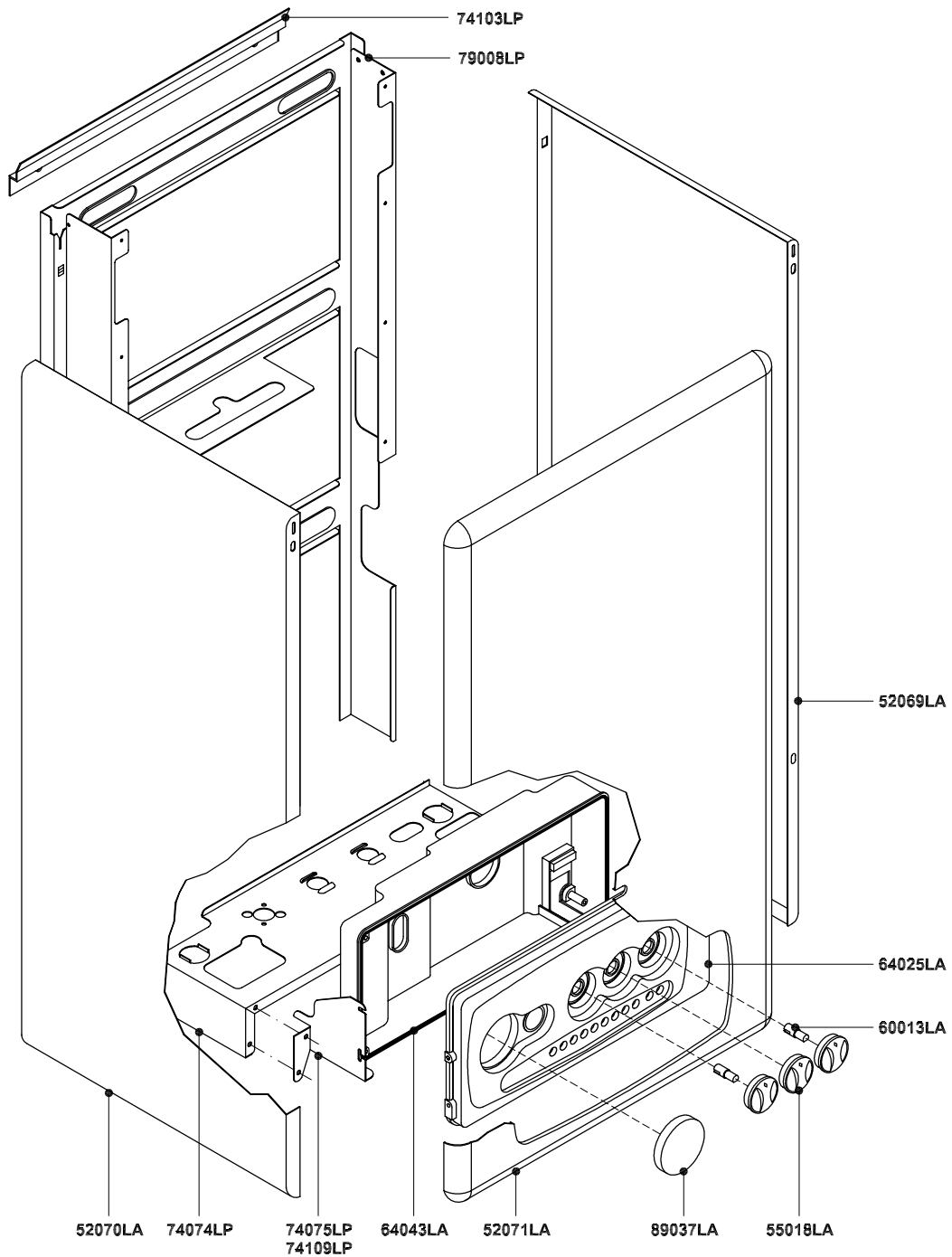
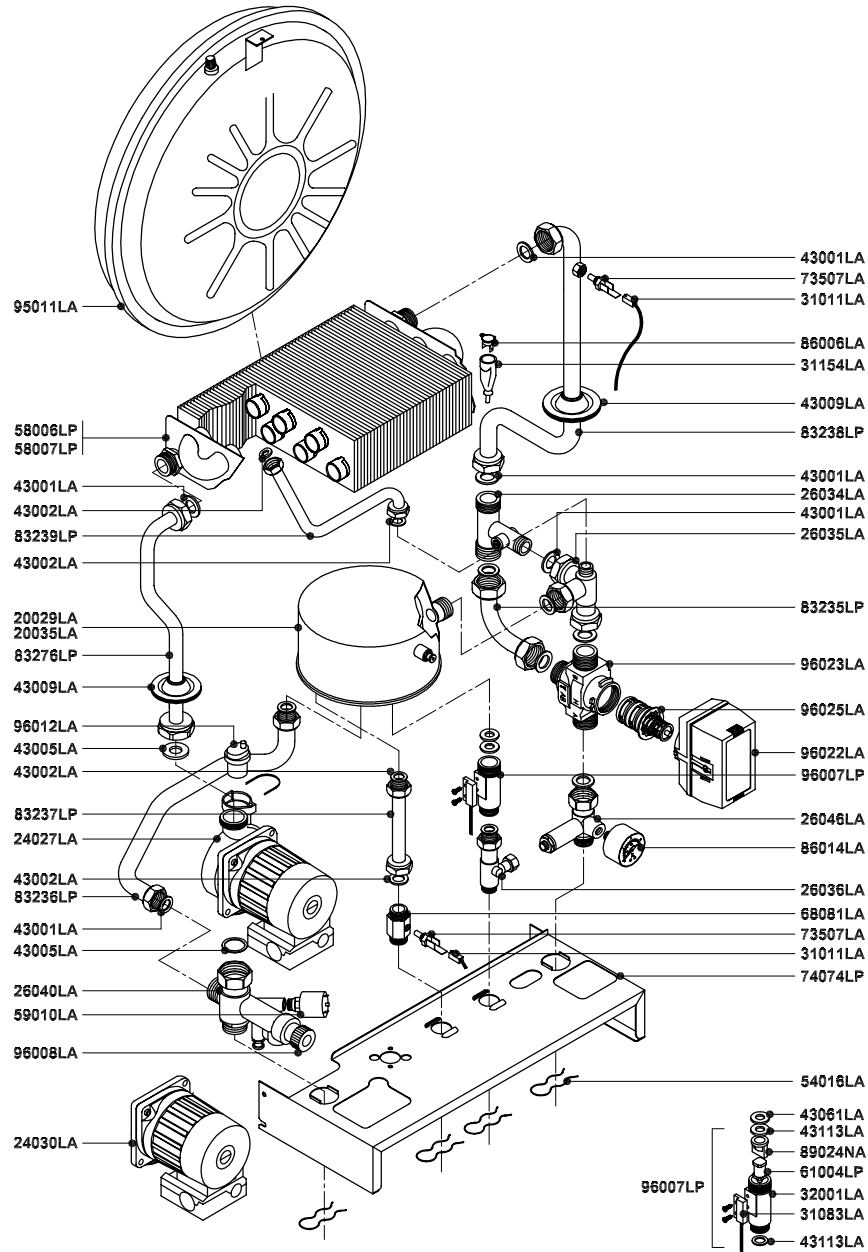


Rev.	Description	Date
------	-------------	------

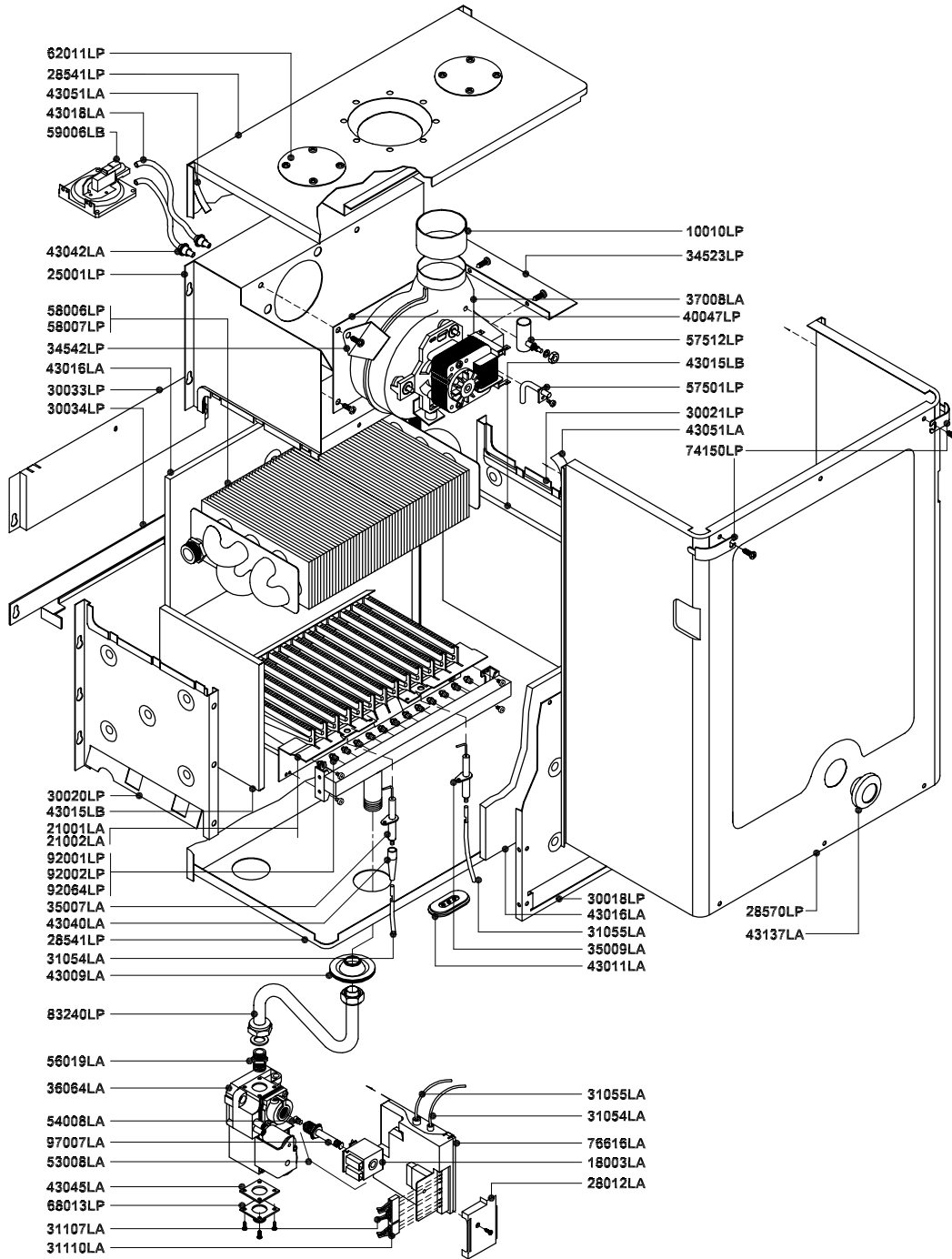


Pos.	Code	Description		U.M.	Qt.
		Description:	Date: 29.01.2001	G00.02.2901	methane
		Wall hung boiler - Spare parts	Scale: ---	G00.02.2902	L.P.G.
		FRAME and CASING COMPONENTS	Department: tecnico		
		Object / model:	Designed by:		heavy oil
		mod. RSF 20 E	Controlled by:		
		Room sealed - electronic ignition	Approved by:	Sheet no.:	B0045_AB1
<small>ALL DESCRIPTIONS AND ILLUSTRATIONS CONTAINED IN THIS LEAFLET HAVE BEEN CAREFULLY PREPARED BUT WE RESERVE THE RIGHT TO MAKE CHANGES AND IMPROVEMENTS IN OUR PRODUCTS WHICH MAY AFFECT THE ACCURACY OF THE INFORMATION CONTAINED IN THIS LEAFLET. E - OF ALL RIGHTS RESERVED. NO PART OF THIS DOCUMENT MAY BE REPRODUCED, STORED IN RETRIEVAL SYSTEMS OR TRANSMITTED IN ANY FORM OR BY ANY MEANS, WHETHER ELECTRONIC, MECHANICAL, PHOTOCOPIING, RECORDING OR OTHERWISE, WITHOUT THE MANUFACTURER'S PRIOR AUTHORIZATION IN WRITING.</small>					

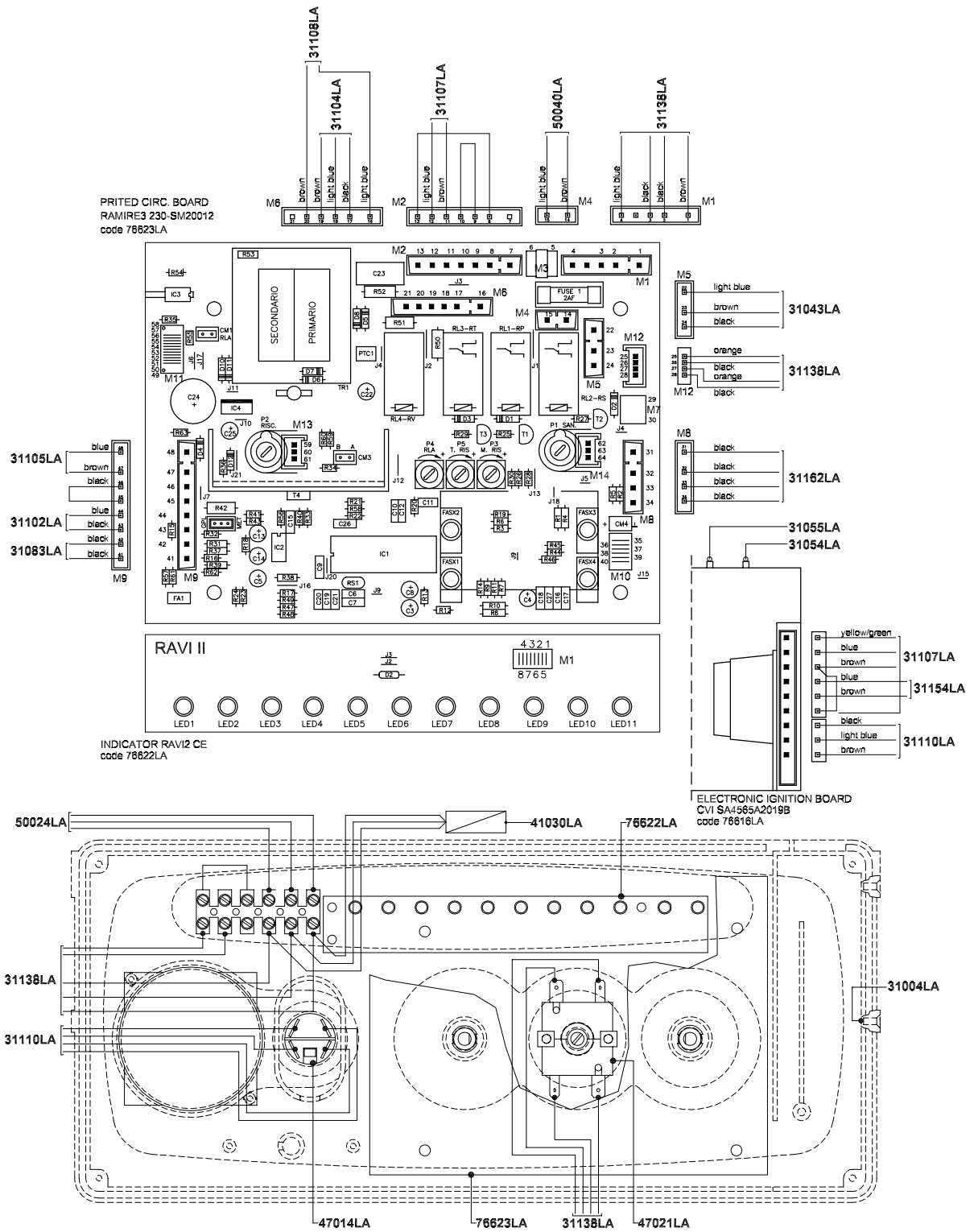




Pos.	Code	Description	Date:	U.M.	Qt.
		Description: Wall hung boiler - Spare parts HYDRAULIC SYSTEM	29.01.2001	G00.02.2901	methane
		Object / model: mod. RSF 20 E Room sealed - electronic ignition	Scale: ---	G00.02.2902	L.P.G.
			Department: tecnico		
			Designed by:		heavy oil
			Controlled by:		
			Approved by:	Sheet no.:	B0046_AB1
<small>ALL DESCRIPTIONS AND ILLUSTRATIONS CONTAINED IN THIS LEAFLET HAVE BEEN CAREFULLY PREPARED BUT WE RESERVE THE RIGHT TO MAKE CHANGES AND IMPROVEMENTS IN OUR PRODUCTS WHICH MAY AFFECT THE ACCURACY OF THE INFORMATION CONTAINED IN THIS LEAFLET. E + O ALL RIGHTS RESERVED. NO PART OF THIS DOCUMENT MAY BE REPRODUCED, STORED IN RETRIEVAL SYSTEMS OR TRANSMITTED IN ANY FORM OR BY ANY MEANS, WHETHER ELECTRONIC, MECHANICAL, PHOTOCOPIING, RECORDING OR OTHERWISE, WITHOUT THE MANUFACTURER'S PRIOR AUTHORIZATION IN WRITING.</small>					



Pos.	Code	Description	U.M.	Qt.
		Description:	Date: 29.01.2001	G00.02.2901 methane
		Wall hung boiler - Spare parts	Scale: ---	G00.02.2902 L.P.G.
		THERMAL SYSTEM (ROOM SEALED - ELECT. IGNITION)	Department: tecnico	
		Object / model:	Designed by:	heavy oil
		mod. RSF 20 E	Controlled by:	
		Room sealed - electronic ignition	Approved by:	Sheet no.: B0047_AB1
<small>ALL DESCRIPTIONS AND ILLUSTRATIONS CONTAINED IN THIS LEAFLET HAVE BEEN CAREFULLY PREPARED BUT WE RESERVE THE RIGHT TO MAKE CHANGES AND IMPROVEMENTS IN OUR PRODUCTS WHICH MAY AFFECT THE ACCURACY OF THE INFORMATION CONTAINED IN THIS LEAFLET. E - OF ALL RIGHTS RESERVED. NO PART OF THIS DOCUMENT MAY BE REPRODUCED, STORED IN RETRIEVAL SYSTEMS OR TRANSMITTED IN ANY FORM OR BY ANY MEANS, WHETHER ELECTRONIC, MECHANICAL, PHOTOCOPIING, RECORDING OR OTHERWISE, WITHOUT THE MANUFACTURER'S PRIOR AUTHORIZATION IN WRITING.</small>				



Pos.	Code	Description	U.M.	Qt.
		Description:		
		Wall hung boiler - Spare parts		
		ELECTRIC SYSTEM (ROOM SEALED - ELECTR. IGNITION)		
		Object / model:		
		mod. RSF 20 E		
		Room sealed - electronic ignition		
		Date: 29.01.2001	G00.02.2901	methane
		Scale: ---	G00.02.2902	L.P.G.
		Department: tecnico		
		Designed by:		heavy oil
		Controlled by:		
		Approved by:		
		Sheet no.:	B0048_AB1	

ALL DESCRIPTIONS AND ILLUSTRATIONS CONTAINED IN THIS LEAFLET HAVE BEEN CAREFULLY PREPARED BUT WE RESERVE THE RIGHT TO MAKE CHANGES AND IMPROVEMENTS IN OUR PRODUCTS WHICH MAY AFFECT THE ACCURACY OF THE INFORMATION CONTAINED IN THIS LEAFLET. E + OE ALL RIGHTS RESERVED. NO PART OF THIS DOCUMENT MAY BE REPRODUCED, STORED IN RETRIEVAL SYSTEMS OR TRANSMITTED IN ANY FORM OR BY ANY MEANS, WHETHER ELECTRONIC, MECHANICAL, PHOTOCOPIING, RECORDING OR OTHERWISE, WITHOUT THE MANUFACTURER'S PRIOR AUTHORIZATION IN WRITING.