



ROBINSON WILLEY

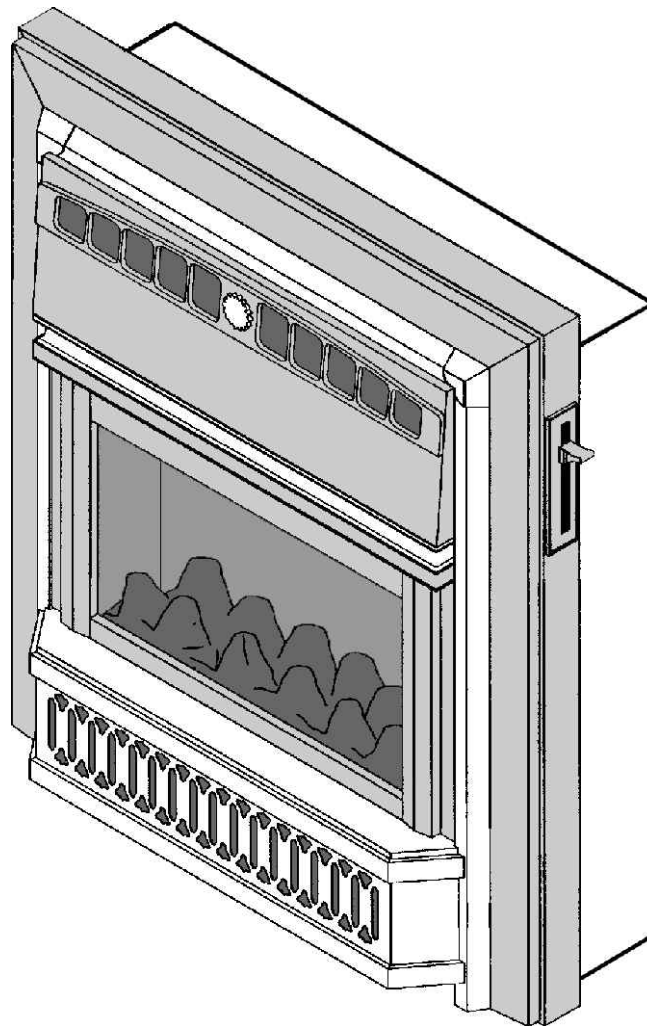
ATHENA R.S.

Room Sealed Inset Live Fuel Effect Gas Fire

PRODUCT No. A99009

G.C. No. 32-170-17

Installation and Servicing Instructions



'CE MARKED' FOR USE IN G.B. & I.E.

LEAVE THESE INSTRUCTIONS WITH THE USER

TABLE OF CONTENTS


No.	SECTION	PAGE
	TABLE OF CONTENTS	2
	TABLE OF FIGURES	2
1.0	DESCRIPTION	3
2.0	INSTALLATION REQUIREMENTS	3
3.0	TECHNICAL DATA	3
4.0	SAFETY	4
5.0	UNPACKING	4
6.0	SITING GENERAL	5
7.0	NON-COMBUSTIBLE WALL INSTALLATION	7
8.0	REBATED SURROUND INSTALLATION	8
9.0	COMBUSTIBLE WALL INSTALLATION	9
10.0	PREPARATION OF HEATER	10
11.0	GAS CONNECTION	12
12.0	COMMISSIONING	12
13.0	GUIDANCE ON FITTING A LINTEL	13
14.0	SERVICING	15
15.0	SPARES AND SERVICE	18
16.0	SHORT LIST OF PARTS	18


TABLE OF FIGURES

No.	DESCRIPTION	PAGE
1	FLUE EXPLODED DIAGRAM	4
2	TYPICAL INSTALLATION	5
3	FLUE TERMINAL LOCATION	6
4	CABLE FIXING	7
5	FLUE ASSEMBLY IN TIMBER FRAMED AND COMBUSTIBLE CONSTRUCTION	9
6A	OVERALL FLUE LENGTH	10
6B	FLUE ASSEMBLY INSTALLED	10
6C	EXPLODED DIAGRAM OF FLUE COMPONENTS	10
7	TERMINAL GUARD INSTALLATION	11
8	COAL BED INSTALLATION	11
9	REAR ENTRY GAS SUPPLY CONNECTION	12
10	LOAD ASSESSMENT FOR LINTELS	13
11	CUTTING THE SLOT FOR LINTEL	14
12	FITTING LINTEL	14
13	CONSTRUCTING THE OPENING	14
14	DETAIL OF PILOT INJECTOR, OLIVE AND PIPE ASSEMBLY	15
15	REMOVING THE OUTER CASE	15
16	REMOVING THE CONTROLS ASSEMBLY (1)	15
17	REMOVING THE CONTROLS ASSEMBLY (2)	16
18	MAIN BURNER REMOVAL	16
19	MAIN INJECTOR AND BURNER SUPPORT PANEL REMOVAL	16
13	REMOVING THE SLIDER CONTROL / FSD	17
14	GAS SHUT OFF TAP LINKAGE PIN ORIENTATION	17
15	PILOT FLAMES	18


1.0 DESCRIPTION

The ATHENA R.S. is a room sealed, inset live fuel effect gas heater with coals.

The heater can be mounted only on a non-combustible hearth, and can be fitted into a suitable fire surround. The heater can be installed on a normal brick wall from the inside of a building making it ideal for rooms where access from the outside is difficult, for example multi-storey buildings. If the heater is to be installed on a combustible wall, then the combustible wall kit,  Part No. 994530, must be used together with a 152 mm rebated surround.

Four flues are available:	 Part No.
Mini (telescopic) flue for walls from 280mm to 353mm	990177
Short (requires cutting) flue for walls from 225mm to 353mm	993241
Medium (telescopic) flue for walls from 353mm to 507mm	993240
Long (telescopic) flue for walls from 507mm to 658mm	993239

The heater is not supplied with the a flue. The flue is supplied separately.
The heater is for use on Natural Gas only (G20 at 20 mbar supply pressure).
The appliance data badge is positioned on the left hand side of the backplate.

The following optional extras are available: -	 Part No.
Combustible Wall Kit	994530
Terminal Guard	994371

2.0 INSTALLATION REQUIREMENTS

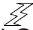
Gas Safety (Installation and Use) Regulations 1994 (as amended). It is the law that all gas appliances are installed by competent persons in accordance with technical requirements.

The following items relate to this appliance:

1. BS 5871
2. BS 5440
3. BS 6891
4. The Building Regulations issued by the Department of Environment and the Building Standards (Scotland) (Consolidation) Regulations issued by the Scottish Development Department.
5. Any other relevant British Standard Code of Practice and/or Local Building Regulations.
6. These installation instructions and in accordance with the rules in force.

3.0 TECHNICAL DATA

DIMENSIONS

Height	690 mm
Width	645 mm
Depth	125 mm
Weight	29.2 Kg
Gas Type	Natural Gas
Max. Heat Input	4.5 kW
Max. Heat Output	3.53 kW
Height to Centre Line of Flue	351mm
Setting Pressure	COLD 17.5 mbar \pm 1.0 mbar
Min Supply Pressure	20 mbar
Burner - Main	Bray Aerated Duplex
- Pilot	SIT 0150060
Injector - Upper	Bray Cat 77/180
- Lower	Bray Cat 77/160
- Pilot	SIT No. 34
Ignition	Battery Operated Electronic Ignition. Battery Size 9V MN1604 or 6LR61
Slider Control / FSD	Concentric TESA 2875-002
Spark Gap	3 to 4 mm
Control Knob Settings	OFF, FULL, HIGH, ECON, MED, PILOT 

4.0 SAFETY

- 4.1 Due to high temperature, the appliance should be located away from furniture and curtains.
- 4.2 Children and adults should be alerted to the hazards of high surface temperature and should stay away to avoid burns or clothing ignition.
- 4.3 Young children should be carefully supervised when they are in the same room as the appliance.
- 4.4 Clothing or other flammable material should not be placed on or near the appliance.
- 4.5 Any safety screen or guard removed for servicing an appliance must be replaced prior to operating the appliance.
- 4.6 Installation and repair should be carried out by a CORGI registered service agent. The appliance should be inspected before use and at least annually by a CORGI registered service agent. More frequent cleaning may be required due to excessive lint from carpeting, bedding material, etcetera. It is imperative that control compartments, burners and circulating air passageways of the appliance be kept clean.
- 4.7 The glass door is of a special heat resisting type, and if damaged must be replaced with the proper spare (see Section 16.0 Short List of Parts).
- 4.8 **WARNING:** Do not operate appliance with the glass front removed, cracked or broken.
- 4.9 **WARNING:** Do not subject the glass door to impact of any kind as breakage may occur.

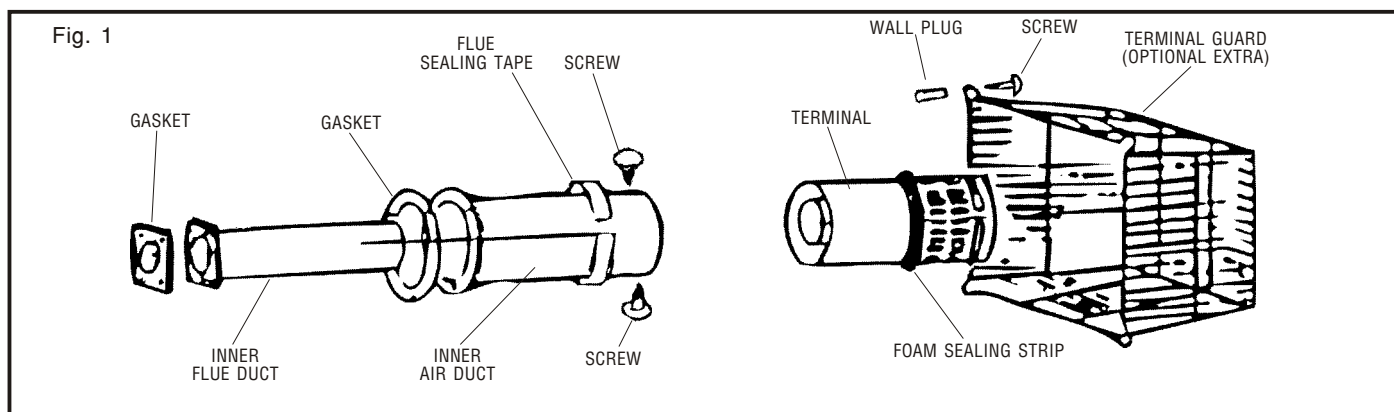
5.0 UNPACKING

The heater is packed in a carton together with the following items (See Fig. 1):-

1. Gasket pack comprising flue and air duct gaskets.

- | | No. | Description | Part No. |
|--|-----|-------------------------------------|----------|
| 2. Pack of fittings comprising: | 4 | Cable fixing eyelets | 822006 |
| | 4 | Woodscrews No. 10 x 38mm | 810240 |
| | 4 | Wall fixing brackets | 990251 |
| | 4 | No. 8 Self Tapping Screws x10mm | 810490 |
| | 4 | Wall plugs | 820343 |
| | 2 | Fixing cables | 992424 |
| | 2 | Cable adaptors | 994839 |
| | 2 | Grub screws | 810940 |
| | 3 | M4 x 10mm Taptite screws (air duct) | 810327 |
| | 2 | No. 6 Self Tapping Screws x 10mm | 810776 |
| 3. Foam seal pack. | | | 822092. |
| 4. A template representing the backplate full size; indicating the positions of the air inlet duct and eyelet screw positions. | | | |
| 5. The fuel effect. | | | |

Remove the items and keep in a safe place. Lay the heater on its back in a safe place.



6.0 SITING GENERAL

The ATHENA R.S. can only be mounted on a non-combustible hearth at least 700 mm wide by 300 mm deep with the heater central. Its top surface should preferably be 50 mm above the floor level to discourage the placing of rugs or carpets over it.

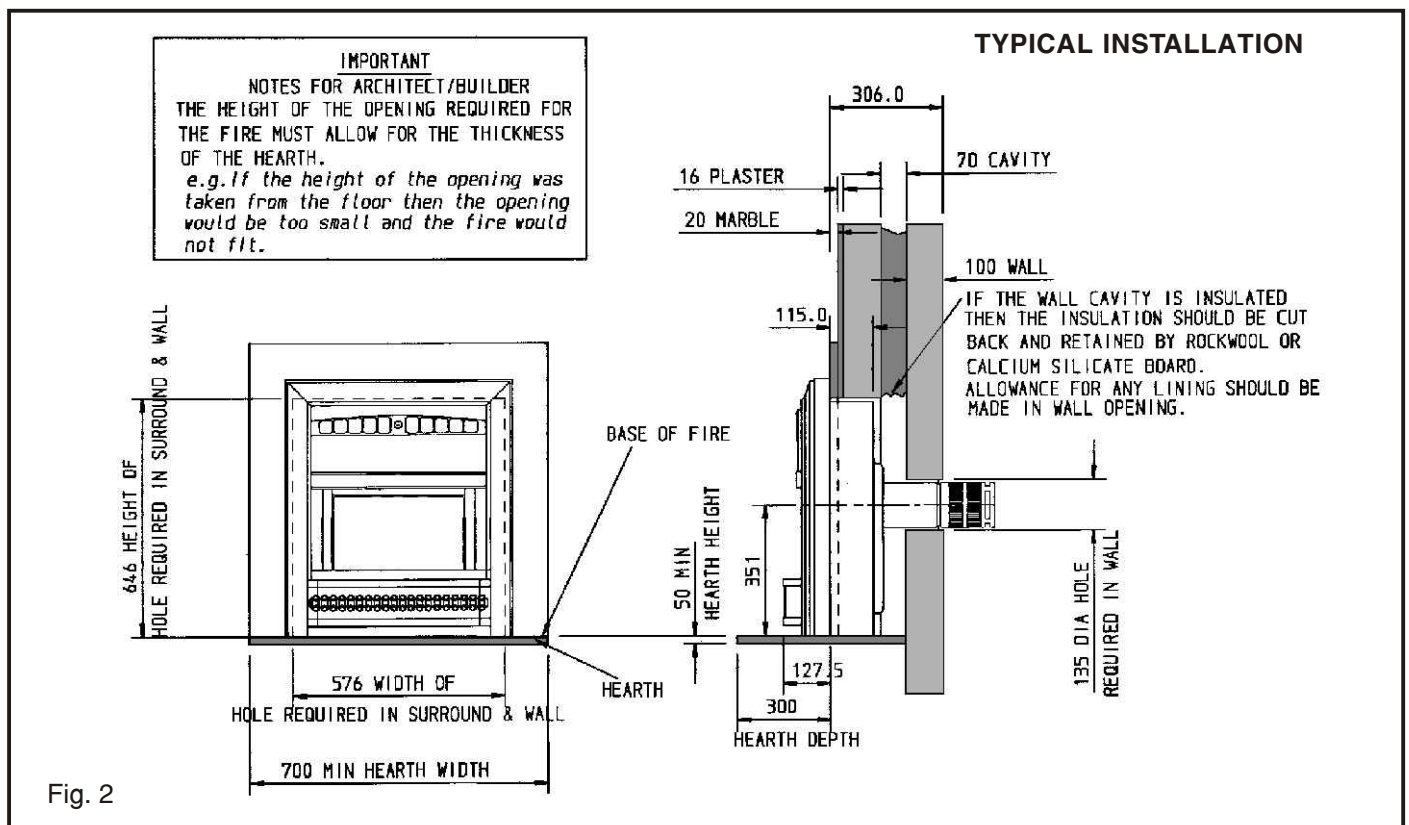
The heater can be installed in the inner leaf of a suitable external wall, requiring a cut-out 646 mm high by 576 mm wide, ensuring that the wall above is properly supported using the appropriate lintel. (see Section 13.0 Guidance on Fitting a Lintel). The heater can be fitted into a fire surround having a cut-out 646 mm high by 576 mm wide. The material of the surround must have a 150°C application i.e. marked with the suffix '150'

If it is not feasible to cut an opening in the wall then a rebated surround with a 152 mm rebate should be used, to enable the heater to be fixed to the inner face of the wall. If the wall is constructed from combustible materials, either wholly or partially, then the combustible wall kit **SRW** Part No. 994530 and a 152 mm rebated surround **MUST** be used. (see Section 8.0 Rebated Surround Installation and Section 9.0 Combustible Wall Installation).

There is a seal on the back of the heater which seals against the wall to prevent draughts from the cavity into the room.

NOTES :

1. When installing the heater using a 152 mm rebated surround, the hearth depth must be increased by 152 mm also.
2. When fixing the flue length, the wall thickness must be measured from the inner face of the fire surround (Refer to Section 10 Preparation of heater).



6.1 Siting The Heater

Outside (Fig. 3): Check that the terminal location complies with the requirements of the table below.

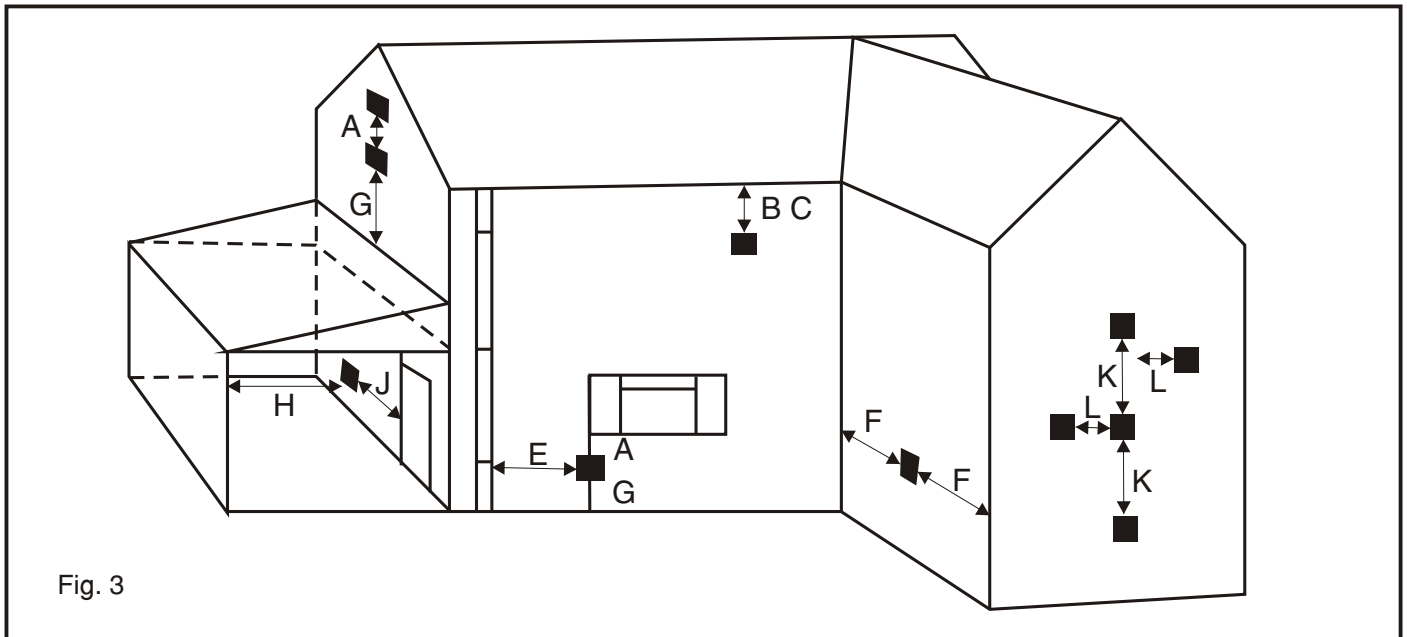


Fig. 3

TERMINAL POSITION	MINIMUM DISTANCE
A - Directly below an openable window or other opening e.g. air brick	300mm
B - Below gutters, soil pipes or drain pipes	300mm
C - Below eaves	300mm
D - Below balconies or car port roof	600mm
E - From vertical soil pipes or drain pipes	75mm
F - From internal or external corners	600mm
G - Above ground, roof or balcony level	300mm
H - From a surface facing a terminal	600mm
I - From a terminal facing a terminal	600mm
J - From an opening in the car port (e.g. door, window) into dwelling	1200mm
K - Vertically from a terminal on the same wall	1500mm
L - Horizontally from a terminal on the same wall	300mm

Note that in England and Wales the Building Regulations require a terminal guard to be fitted if the terminal is less than 2m (6ft 6in) from the level of any ground, balcony, flat roof or place to which any person has access and which adjoins the wall in which the outlet is situated. A suitable guard assembly is available from Robinson Willey Limited. The part number is 994371. In Scotland, although the Building Standards (Scotland) do not require a terminal guard to be fitted, the fitting of a guard as detailed above is recommended.

INSIDE CLEARANCES :

1. Allow 50mm access at each side of the heater for servicing.
2. Curtains must be 150mm clear at the top of the heater and 50mm at the sides and must not be closeable over the front of the heater.
3. A wooden or combustible shelf may be fitted over the heater. The minimum height of the underside of the shelf of 125mm depth must be 130mm. For shelves of greater depth, allow an additional clearance of 15mm for every 25mm additional shelf depth.
4. A minimum clearance to combustible material of 500mm is required around the heater.

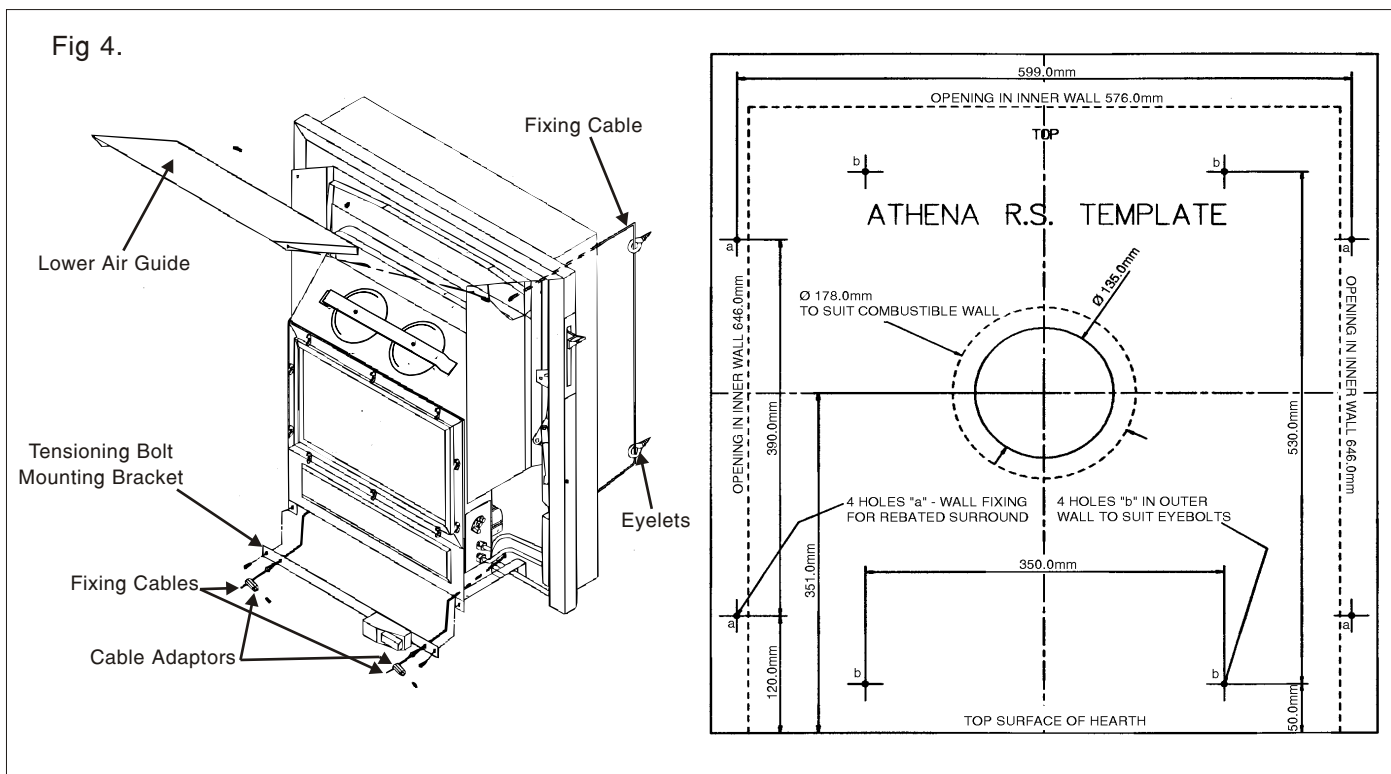
7.0 NON-COMBUSTIBLE WALL INSTALLATION

NOTE: The following instructions relate to normal brick walls. If the wall is wholly or partly of combustible material, the heater can not be installed by this method (see Section 9.0. Combustible Wall Installation). Check the wall thickness. Four different sizes of flue are available for wall thickness up to 658 mm as shown below.

	NRW Part number
Mini (telescopic) flue for walls from 280mm to 353mm	990177
Short (requires cutting) flue for walls from 225mm to 353mm	993241
Medium (telescopic) flue for walls from 353mm to 507mm	993240
Long (telescopic) flue for walls from 507mm to 658mm	993239

When fixing the flue length, the wall thickness must be measured from the inner face of the fire surround (Refer to Section 10 Preparation of heater).

- 7.1 Create an opening in the wall, in the position required, 646 mm high x 576 mm wide, ensuring that the wall above the opening is properly supported using the appropriate lintel (see Section 13.0 Guidance on Fitting a Lintel).
- 7.2 Position the template supplied on the inner face of the outer section of the wall ensuring that its top is level and that the centre line of the flue is 351 mm above the hearth level.
- 7.3 Cut the hole for the flue making sure that it is straight and level. This can be done with either a 135 mm diameter core drill or hammer and chisel. If neatly drilled no making good is necessary. If not it will be necessary to make good the hole at the terminal end where the flue seal will be located to seal the gap.
- 7.4 Use the template to mark the cable fixing eyelet positions (see Fig 4.). Drill the four fixing holes to a minimum depth of 57 mm using 6 mm diameter masonry drill and insert the plugs.
- 7.5 Screw the cable fixing eyelets into the wall plugs ensuring that they are positioned so the cable can run vertically.



8.0 REBATED SURROUND INSTALLATION

NOTE: The following instructions relate to walls where it is not feasible to cut an opening into the wall. The installation will require a 152 mm rebated surround. If the wall is wholly or partly of combustible material then the combustible wall kit **SRW** Part No. 994530 must be used (see Combustible Wall Installation Section 9.0). Check the wall thickness. The following lengths of flue, up to 658 mm, are available and must be ordered specifically.

	SRW Part number
Mini (telescopic) flue for walls from 280mm to 353mm	990177
Short (requires cutting) flue for walls from 225mm to 353mm	993241
Medium (telescopic) flue for walls from 353mm to 507mm	993240
Long (telescopic) flue for walls from 507mm to 658mm	993239

When fixing the flue length, the wall thickness must be measured from the inner face of the fire surround (Refer to Section 10 Preparation of heater).

All other relevant installation requirements apply (see Section 2.0 Installation Requirements.)

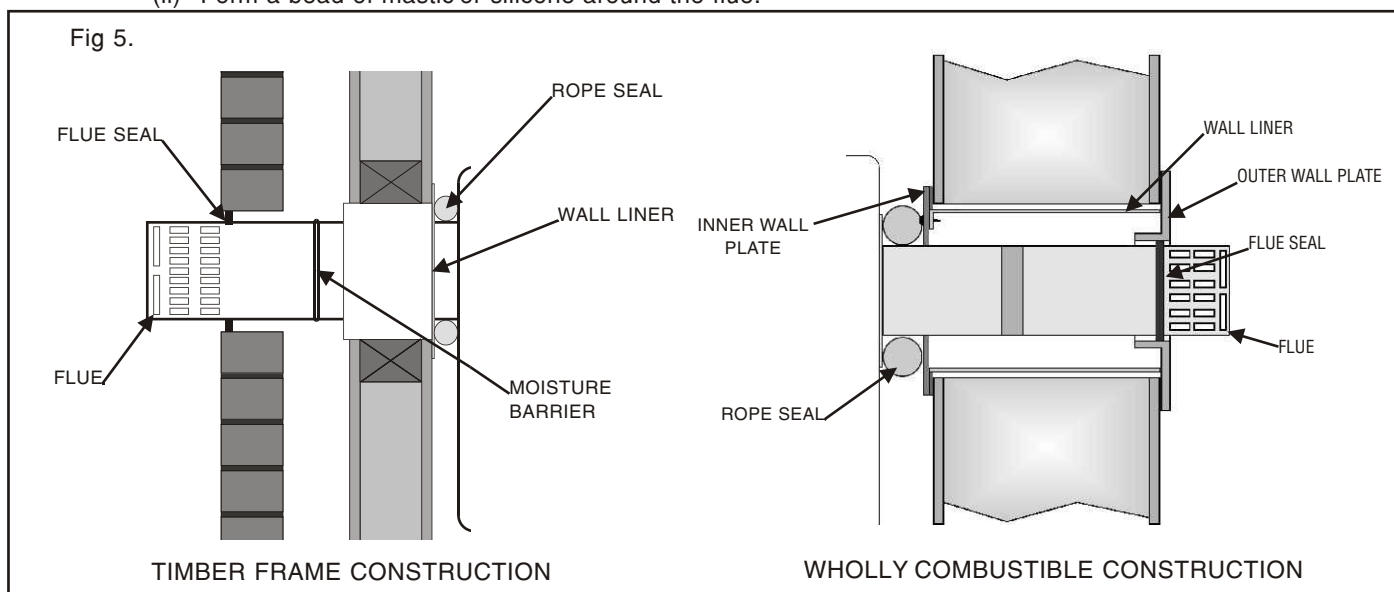
- 8.1 Position the template supplied on the face of the wall ensuring that its top is level and that the centre line of the flue is 351 mm above the hearth level. Mark the four fixing bracket positions (see Fig 4.).
- 8.2 Cut the hole for the flue making sure that it is straight and level. This can be done with either a 135 mm diameter core drill or hammer and chisel. If neatly drilled no making good is necessary. If not it will be necessary to make good the wall at both ends of the hole.
- 8.3 Drill the four fixing holes to a minimum depth of 57 mm using 6 mm diameter masonry drill and insert the plugs.
- 8.4 Screw the four fixing brackets supplied to the wall ensuring that they are positioned with the return flange pointing outwards.
- 8.5 Remove the outer case from the heater by lifting it up and away from the locating hooks.
- 8.6 Place the heater face down taking care to protect any soft surface.
- 8.7 Fit the flue and air ducts to the back of the heater using the gaskets and screws provided. This operation is made easier by using the screws to tap the holes before assembly. The four screws for the flue duct are already fitted to the heater. The flanges of the ducts are marked 'TOP' to indicate the way in which the ducts are to be fitted. Note: **DO NOT** remove the two middle slotted screws.
- 8.8 Adjust the flue length: First measure the wall thickness and add 148 mm to give the overall length of flue 'A' (see Fig 6A.) Fit the terminal assembly to the ducts already fitted to the heater. The top of the assembly is marked 'TOP'. Set the overall length of the flue to the dimension 'A'. Drill 2.7 mm diameter for the fixing screws and secure it with the screws provided. Seal the joint using the self-adhesive tape provided.

NOTES:

- (i) If rear entry gas supply connection is required, then it **MUST** be installed prior to the installation of the heater (see Section 11.1 Rear Entry Gas Connection).
 - (ii) If front entry gas supply connection from the left or right side is required, then it **MUST** be installed after the installation of the heater (see Section 11.2 Front Entry Gas Connection).
 - (iii) An suitable means of isolation must be fitted in the gas supply line to the heater.
- 8.9 If fitting to a non-combustible wall, with a 135 mm diameter hole, then the cavity must be sealed from the room by fitting the additional foam seal supplied around the flue, approximately 37 mm from the heater connection.
 - 8.9 Remove the tape from the foam sealing strip(s) on the flue. Do not remove the tape before the heater is ready to be installed as the foam strip commences to expand once the tape is removed. The rate of expansion however, is low and there will be adequate time to install the heater, after which the foam strip will continue to expand and fill the gap between the flue and the wall. If for any reason the sealing strip has already expanded before the heater is installed, it can simply be compressed by hand until it is flush with the surface of the flue.
 - 8.10 Insert the flue into the opening in the wall created for the flue. Push the heater back towards the wall until the 'V' notch in the fixing brackets line up with the back panel of the heater. Fix in position with the self tapping screws provided.
 - 8.11 Slide the 'marble' into position between the heater fixing brackets and the seal on the back of the heater, taking care not to damage the seal. check the dimension from the face of the marble to the face of the wall.
 - 8.12 Offer up the 152 mm rebated surround to the wall and fix in position.

9.0 COMBUSTIBLE WALL INSTALLATION

- 9.1 For installation on walls constructed or comprising combustible materials, reference should be made to the requirements of BS 5440 and the Building Regulations.
- 9.2 Timber Framed Housing: For a timber framed house, the fire can be installed as directed in The Institute of Gas Engineers Utilization Procedure *IGE/UP/7 GAS INSTALLATIONS IN TIMBER FRAME BUILDINGS*.
- 9.3 The combustible wall kit is suitable for walls in which the combustible part is not more than 195 mm thick measured from the inside of the building.
- 9.4 The combustible wall kit required is ~~SRW~~ No. 994530. If the whole of the wall is of combustible material, the outer wall plate must be used, requiring access to the outside of the building.
- 9.5 If the screws and the wall plugs supplied are not suitable for a particular application, proprietary cavity wall fixings may be used.
- 9.6 Proceed as detailed in Section 8.0 Rebated Surround Installation **EXCEPT** for the following points: -
- (a) Cut the hole for the flue to a diameter of 178 mm through the plaster board taking care not to damage the Vapour Control Layer (VCL).
 - (b) Cut the VCL 10 mm less in diameter than the hole just cut in the plasterboard. This will ensure a seal around the flue liner.
 - (c) Continue the 178 mm diameter hole through the remainder of the combustible material. If the outer leave of the wall is constructed of non-combustible material then cut the hole 135 mm diameter making allowances for the shrinkage of the timber frame.[†]
 - (d) Measure the thickness of the combustible part of the wall and cut the flue liner to this length, cutting off the end without the fixing brackets. Fit the liner to the sealing plate using the screws provided.
 - (e) Push the liner through the VCL taking care not to damage the VCL, and ensuring that the liner **DOES NOT** protrude into the cavity by more than 10 mm.
 - (f) If the wall is wholly of combustible material, install the outer wall plate centrally over the hole from the outside as shown in the diagram below. It is recommended that a silicone sealing compound is applied to the inner face of the wall plate to provide a watertight installation.
 - (g) Fit the flue, see Sections 8.7 and 8.8. **NOTE:** When determining the flue length, measure the wall thickness from the face of the outer wall plate.
 - (h) Slide the rope seal over the flue, until it touches the back of the heater, prior to removing the tape from the flue foam sealing strip.
 - (i) Before installing the flue into the wall is necessary to provide a moisture barrier around the flue at the point which will be in the centre of the cavity. Either of the following methods are acceptable: -
 - (i) Wrap a wire which will not cause corrosion tightly around the flue.
 - (ii) Form a bead of mastic or silicone around the flue.



[†] Note: It is not necessary to allow for shrinkage of timber frames in existing buildings where the necessary length of time has elapsed to allow for any contraction of the timber frame.

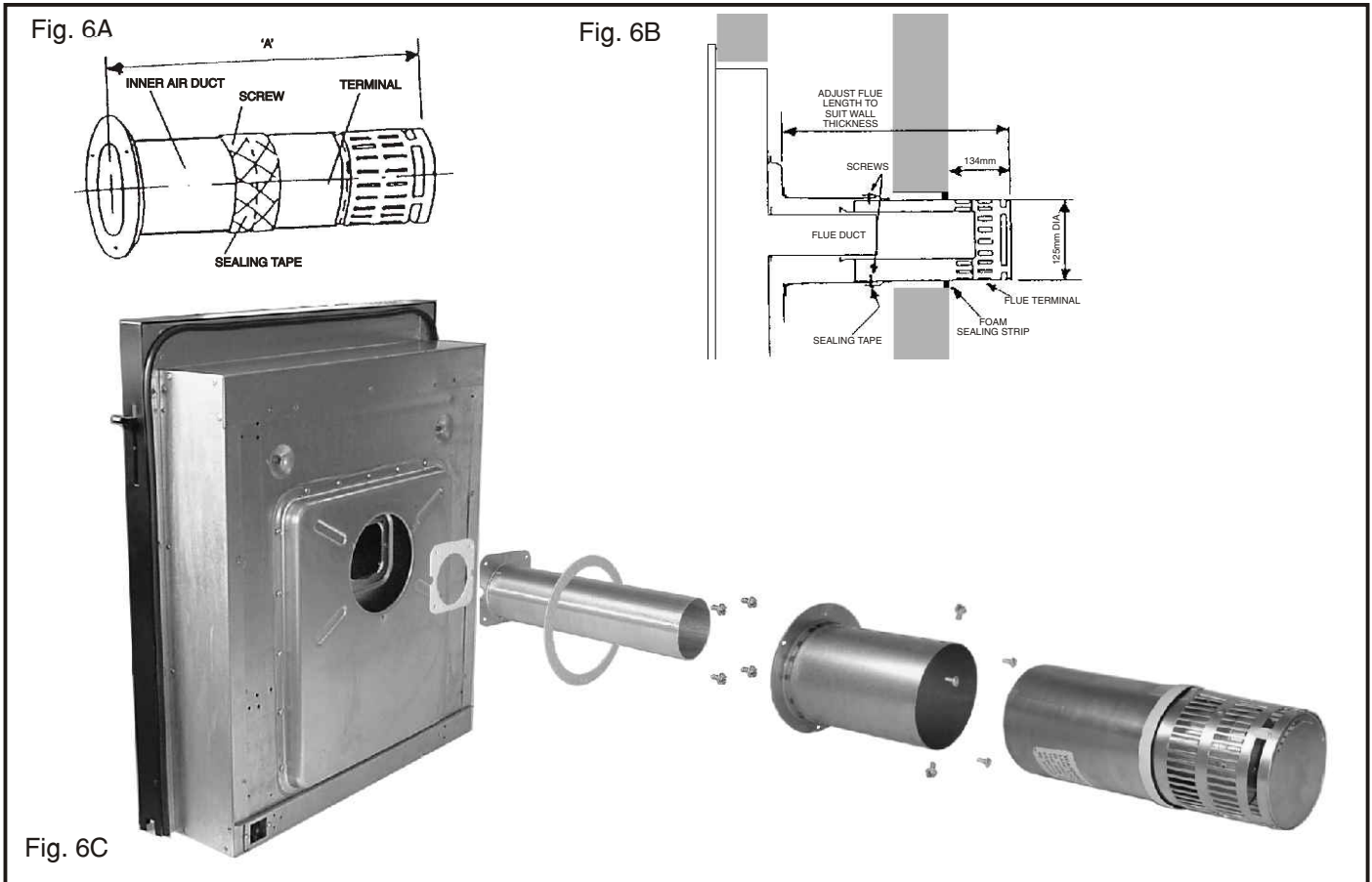
10.0 PREPARATION OF HEATER

10.1 Remove Outer Case (Fig 9.)

- Remove the outer case by lifting it up and away from the locating hooks.
- Remove the tensioning bolt mounting bracket from the underside of the combustion box. This is done by removing the two fixing screws. Take care not to damage the wires of the ignition unit as this is attached to the same bracket.

10.2 Fit Flue

- Place the heater face down taking care to protect any soft surface.
- Fit the flue and air ducts to the back of the heater using the gaskets and screws provided. This operation is made easier by using the screws to tap the holes before assembly. The four screws for the flue duct are already fitted to the heater. The flanges of the ducts are marked 'TOP' to indicate the way in which the ducts are to be fitted. Note: **DO NOT** remove the two middle slotted screws.

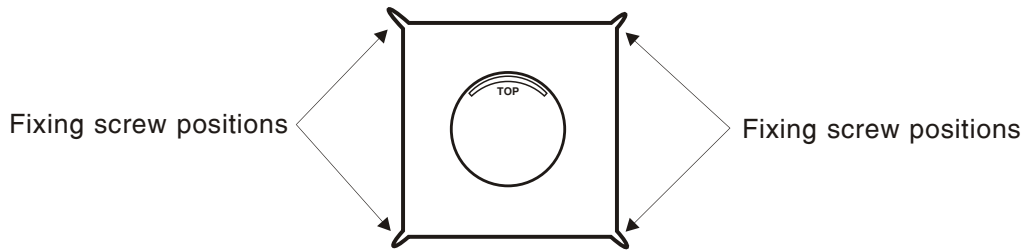



- Adjust the flue length: First measure the wall thickness to give the overall length of flue 'A'. Fit the terminal assembly to the ducts already fitted to the heater. The top of the assembly is marked 'TOP'. Set the overall length of the flue to the dimension 'A' (Fig. 6A). Drill 2.7 mm diameter for the fixing screws and secure it with the screws provided. Seal the joint using the self-adhesive tape provided.

IMPORTANT NOTES:

- If rear entry gas supply connection is required, then it **MUST** be installed prior to the installation of the heater into the wall (see Section 11.1 Rear Entry Gas Connection).
 - If front entry gas supply connection from the left or right side is required, then it **MUST** be installed after the installation of the heater into the wall (see Section 11.2 Front Entry Gas Connection).
 - A suitable means of isolation must be fitted in the gas supply line to the heater.
- To insert the fixing cables it is necessary to remove the lower air guide. This is done by removing the two fixing screws and sliding it out (see Fig 4.).
 - Insert the free end of the cables through the respective holes in the back panel of the heater, and then down through the cable fixing eyelets. The cables are then inserted through the lower holes in the back panel of the heater and through the holes in the tensioning bolts. Re-fit the tensioning bolt mounting bracket.
 - Remove the tape from the foam sealing strip on the terminal. Do not remove the tape before the heater is ready to be installed as the foam strip commences to expand once the tape is removed. The rate of expansion however, is low and there will be adequate time to install the heater, after which the foam strip will continue to expand and fill the gap between the flue and the wall. If for any reason the sealing strip has already expanded before the heater is installed, it can simply be compressed by hand until it is flush with the surface of the flue.

Fig 7.



- (h) Insert the heater into the opening, ensuring that the flue is inserted into the hole in the outer section of the wall. Push the heater back against the wall and pull each fixing cable taut. Thread the cable adaptors onto the cables and slide up to the tensioning bolts. While keeping the fixing cables taut, tighten the grub screw in the cable adaptors so that it grips the fixing cable. (see Fig 4.)
- (i) Using a spanner, unscrew each tensioning bolt by approximately 20 mm to tension the cable. Prevent the cable adaptors from rotating while unscrewing the tensioning bolts.
- (j) Re-fit the lower air guide ensuring that the long edge with the flange points down and rests on top of the first heat exchanger.
- (g) If a terminal guard is required (optional extra  No. 994731) fit it with the kit supplied ensuring that it is positioned as shown in Fig 7.

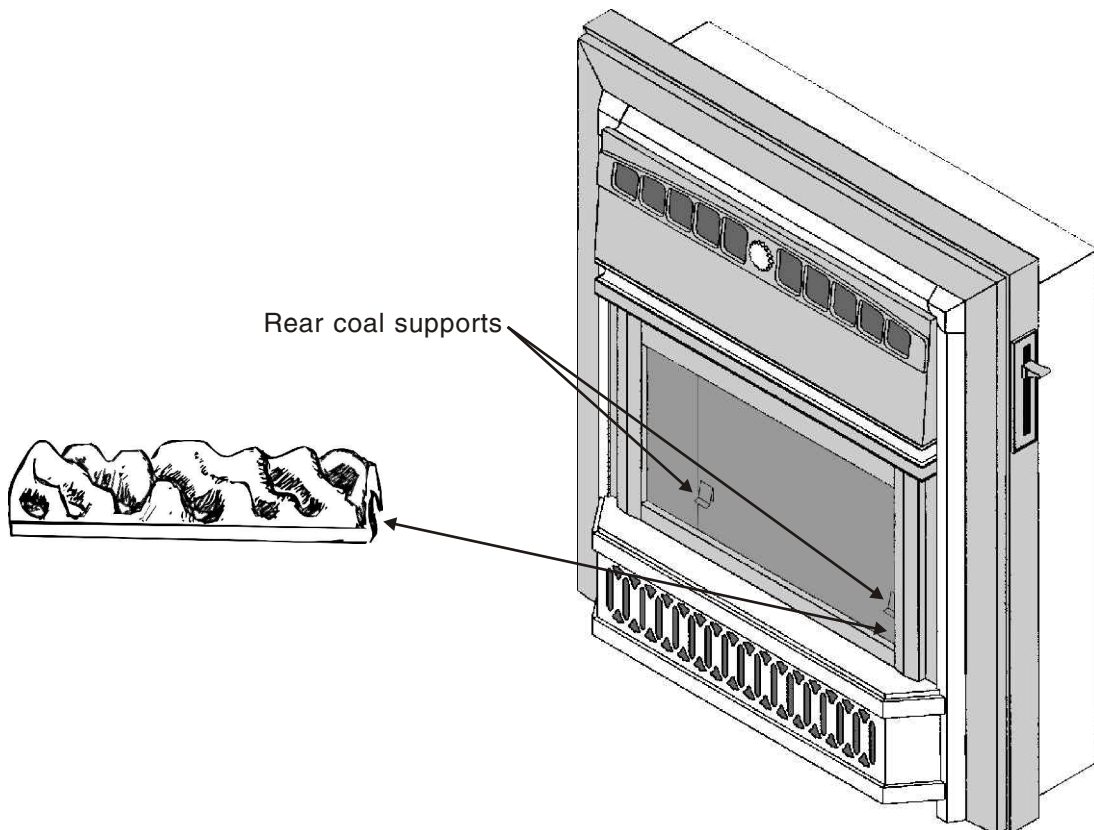
10.3 Install Fuel Effect (See Fig 8.)

Remove the coal pack from the heater and remove the coal effect from its pack. The coal effect is a one piece assembly and has a 'tunnel' cut out at one end. Fit the coal effect so that this tunnel is over the pilot burner on the right side of the firebox. The coal effect should come to rest on the full length inner front support and also on the two rear coal supports.

10.4 Replace Glass Door

Refit the glass door ensuring all studs protrude through the door evenly. Replace the wingnuts and tighten evenly.

Fig 8.



11.0 GAS CONNECTION

11.1 Rear Entry Gas Supply Connection

IMPORTANT NOTE: If rear entry gas supply connection is required, then it **MUST** be installed prior to the installation of the heater into the wall. If any pipe is run in or through the cavity, a factory sleeved pipe must be used and sealed where the pipe enters the fire and/or cavity.

- Position the gas supply pipe at the right hand side of the opening and fit the appliance inlet elbow which has Rp ¼ (¼ in BSP) internal thread (see Fig 9.). After the heater has been installed into the wall connect the appliance inlet elbow to the gas inlet pipe.

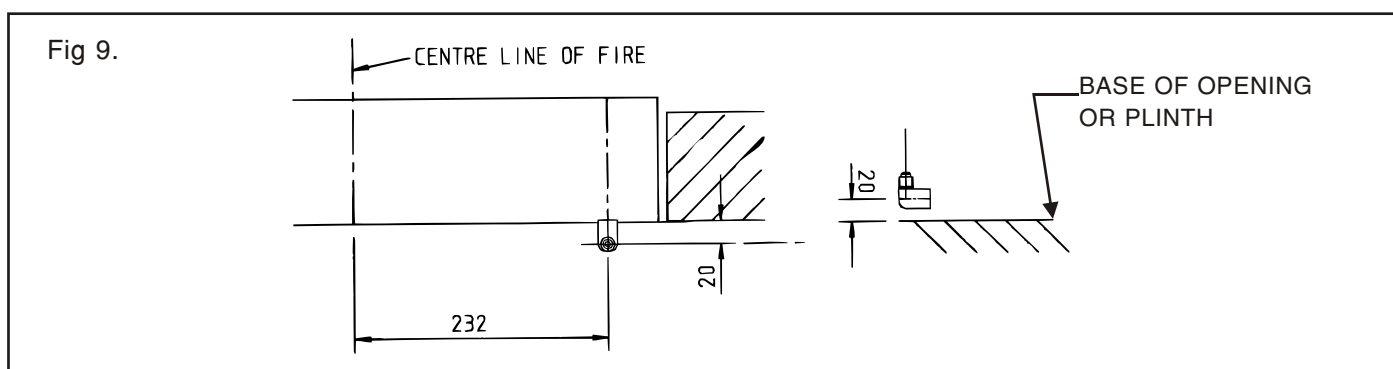
11.2 Front Entry Gas Supply Connection

IMPORTANT NOTE: If front entry gas supply connection is required, then it **MUST** be installed after the installation of the heater into the wall.

- Loosen the nut on the appliance inlet elbow which is located at the bottom right corner of the appliance and turn the elbow to face either left or right as required.
- Connect the gas supply to the appliance inlet elbow which has Rp ¼ (¼ in BSP) internal thread.

11.3 Test for Gas Soundness. (Refer to BS 6891)

The gas installation, including the meter, should be inspected and tested for soundness and purged.



12.0 COMMISSIONING

12.1 Check the Gas Pressure and F.S.D. Operation

Remove the pressure test point sealing screw and connect a pressure gauge to the test point.

- Light the heater. Please refer to the Users Instructions. Slide the control knob to the full on position marked HIGH.
- Check that the burner pressure is as specified on page 3. Turn off the heater. Wait 3 minutes then slide the control knob directly to the full on position marked HIGH. The pressure should read ZERO to confirm the FSD has shut off the gas. Remove the pressure gauge and replace the pressure test screw. Re-light the heater and test for gas soundness around the sealing screw using a suitable leak detection fluid.
- Check ignition performance.

WARNING: If you want to re-light a hot heater wait three minutes before doing so.

12.2 Refit Outer Case

Replace the outer case by placing it over the locating hooks at the top and bottom of the infill frame.

12.3 Instruct User (Refer to the Users Instructions)

Make sure that the user understands the following:-

- How to light and operate the heater.
- Demonstrate the removal and replacement of the glass door and the removal and replacement of the ceramics. Advise on the need to clean these items regularly.
- Advise that for safe and efficient operation, the heater should be serviced annually by a CORGI registered service agent.
- When the heater is first lit a slight smell may be noticed but this will quickly clear away with use.

Hand over these instructions to the user.

13.0 GUIDANCE ON FITTING A LINTEL

- 13.1 This section only applies to installations where an opening has to be cut, or is being built into, the inner leaf of the cavity wall (see Section 7.0 Non-Combustible Wall Installation).
- 13.2 To support the wall above the opening, a suitable lintel must be inserted across the top of the opening. If fitting into a cavity wall, a lintel 876 mm long (minimum) having a height of 95 mm and a depth to match the inner wall thickness. The lintel could be either precast concrete or steel.

Before proceeding with the installation of the heater, an assessment of the area immediately above the heater is required, see Fig 10. If there are no existing openings or beams within either triangle, proceed with forming the opening. However, if openings or beams occur within either triangle either:-

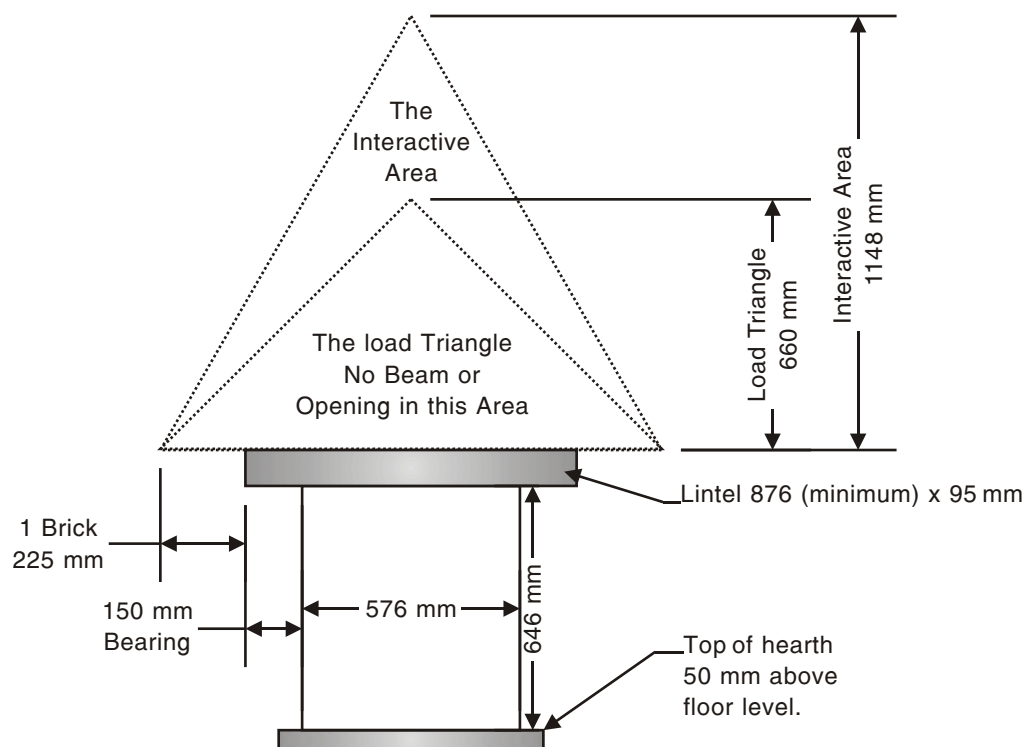
1. Use the guidance in the Good Building Guide 10 to assess the loads,
2. Seek specialist advice,
3. Relocate the fire position.

The 'Load Triangle' - typical inner leaf weights

122	brickwork	104 kg
122	concrete blocks	110 kg
150	concrete blocks	146.5 kg

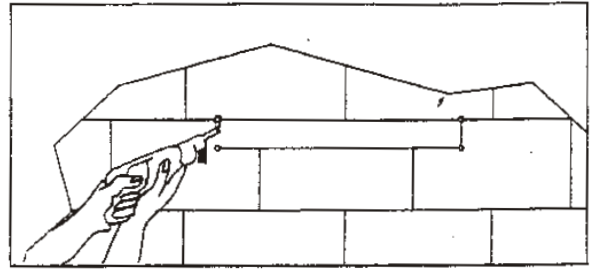
These are well within the load capacity of proprietary lintels.

Fig 10.



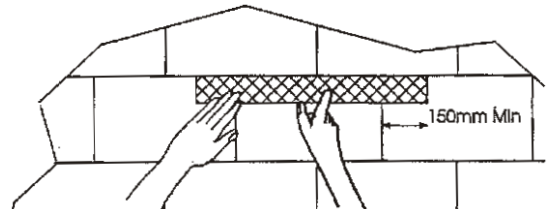
- 13.3 Mark out, where possible, centrally beneath a blockjoint where the lintel is to be fitted. Unless lime mortar has been used it will be necessary to drill four holes with a masonry drill and then use a mechanical cutter such as a 'SHARK' saw to cut out the correct size of slot required for the chosen lintel (see Fig 11.).

Fig 11.



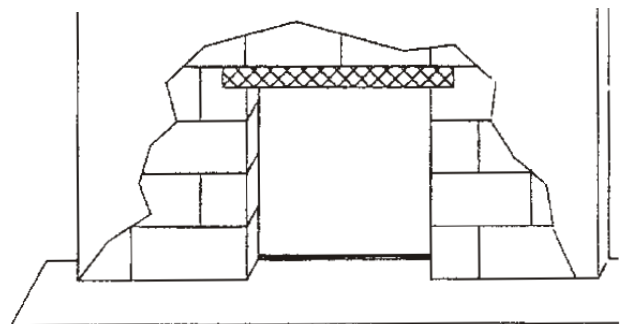
- 13.4 Fit the lintel and slate pin, leaving the wall above safe and firm. Always bed the lintel on mortar, never on a dry bed (see Fig 12.).

Fig 12.



- 13.5 Remove the masonry below the lintel and clear all the debris from the cavity. Construct the opening to the size specified in Section 7.0 Non-Combustible Wall Installation (see Fig 4.).
 A Rockwool™ (or similar seal such as Superlux™ type board) must be used to prevent the cavity insulation coming into contact with the hot surfaces of the heater (see Fig 2.).
 Note: the cavity itself must not be bridged by any other part of the fire other than the flue duct, however the firebox may encroach into the cavity by up to 40mm.
 In all installations ensure that there is no structural damage to the property or to the damp course.

Fig 13.



14.0 SERVICING

Important Notes:

The appliance area must be kept clear and free from combustible materials, flammable vapour and liquids.

The flow of combustion and ventilation air must not be obstructed.

Servicing the heater is recommended once a year. Servicing consists of removing dust from the heater generally, cleaning the burner, examination of the flueing system, checking for gas soundness, and checking the operation of the heater.

Turn off the gas supply before commencing any servicing. Always test for gas soundness after servicing or exchanging any component, with the gas shut off tap in the ON position.

Only use official Robinson Willey spare parts.

14.1 Removing Outer Case (Fig 15.)

- (a) Remove the outer case by lifting it up and away from the locating hooks.
- (b) Ensure that the control knob is at its OFF position.
- (c) Remove the two control knob securing screws and remove the control knob.
- (d) Remove the four infill frame securing screws and remove the infill frame.
- (e) Remove the lower air guide (Fig 4.).
- (f) Remove the Right hand side air guide.
- (g) Refitting is the reverse procedure of removal.

14.2 Removing The Control Assembly

- (a) Remove the outer case as previously described in Section 14.1.
- (b) Remove the thermocouple as described in Section 14.8.
- (b) Disconnect the following nuts (see Fig 16):-
 - (i) Both the main injector supply pipe connections.
 - (ii) The thermocouple connection.
 - (iii) The ignition electrode securing nut.
 - (iv) Pilot supply tube connection (taking care not to lose the injector which is hooked onto the olive crimped onto the gas supply pipe, see Fig 14).
 - (v) Inlet elbow connection.
- (c) Disconnect the red and blue wires from the ignition unit.
- (d) Remove the three mounting screws (see Fig 17).
- (e) Remove the control assembly.
- (f) Refitting is the reverse procedure of removal.

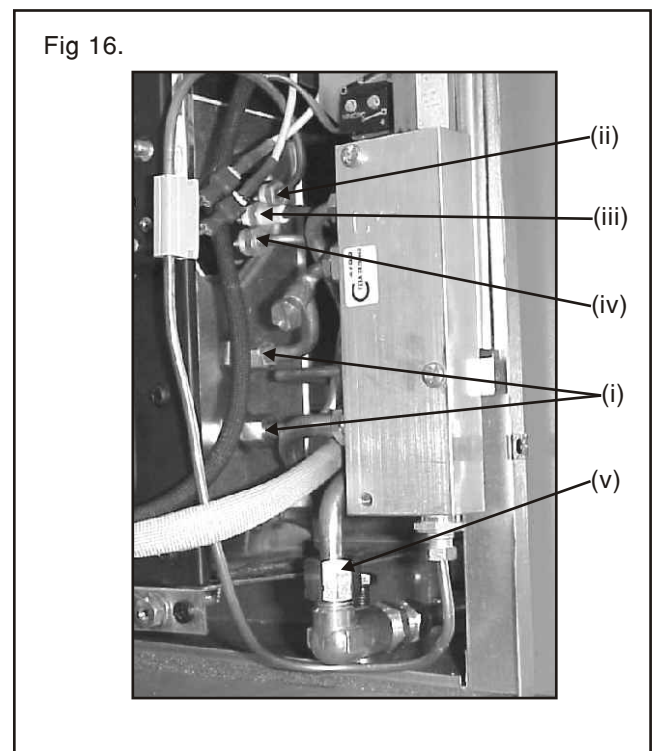
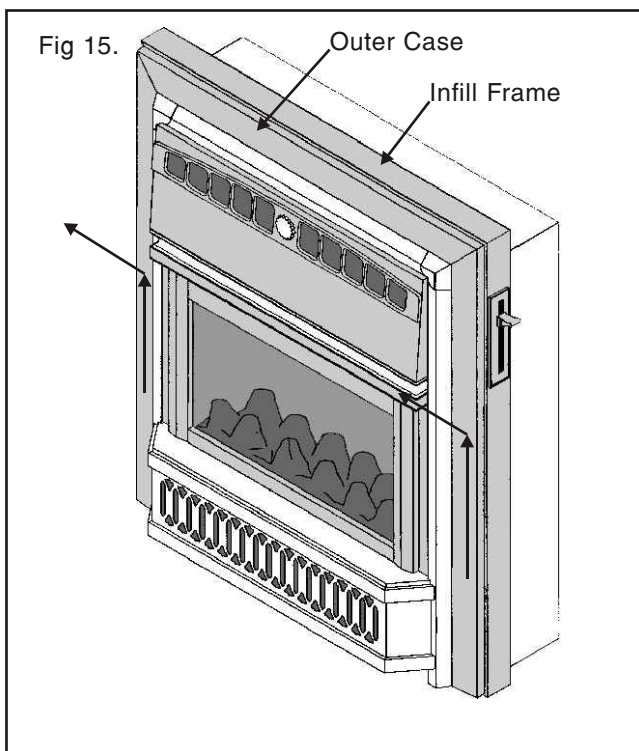
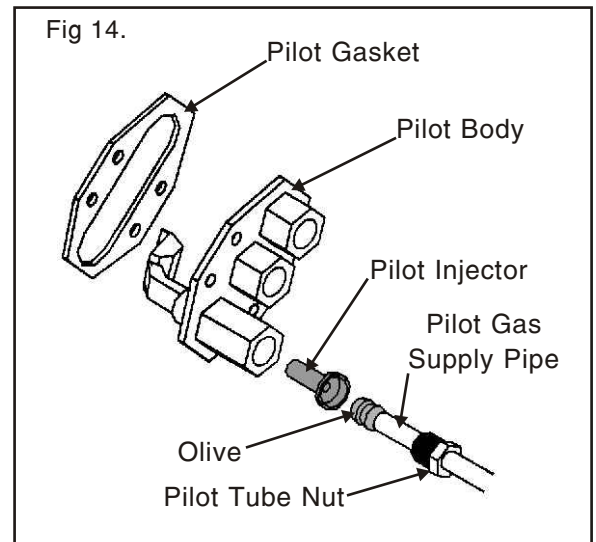
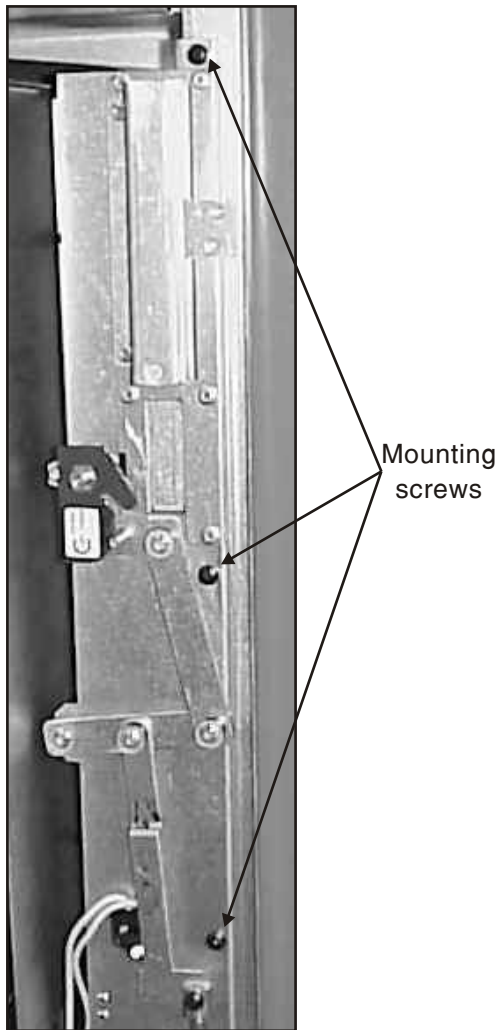


Fig 17.



14.3 Removing The Main Burner

- (a) Remove the control assembly as previously described in Section 14.2.
- (b) Remove the glass door seal by unscrewing the ten wing nuts. Put the glass door in a safe place to avoid damage.
- (c) Remove the coal bed and place in a safe place to avoid damage.
- (d) Unscrew the wing nut on the left side of the combustion chamber.
- (e) Remove the main injectors noting the correct installation and place in a safe place (Fig 19.).
- (f) Using a spanner unscrew the six screws holding the burner support plate in position (Fig 19.).
- (g) Remove the burner by sliding it towards the right (1) and then lift the left end of the burner upwards (2), (see Fig 18. The burner can now be withdrawn through the front opening.
- (h) Refitting is the reverse procedure of removal.

14.4 Removing The Main Burner Injectors (Fig 19)

- (a) Remove the controls assembly as previously described in Section 14.2.
- (b) Unscrew the main burner injectors one at a time. If both injectors are removed at the same time the main burner will drop down out of position making injector refitting difficult.
- (c) Refitting is the reverse procedure of removal.

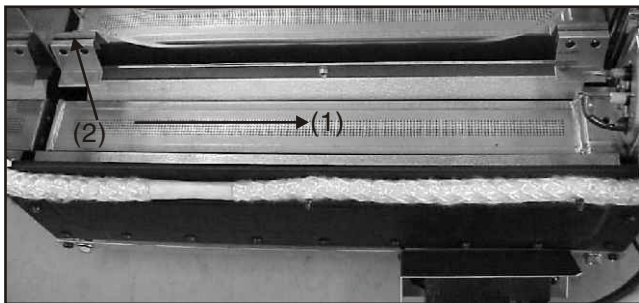


Fig 18.

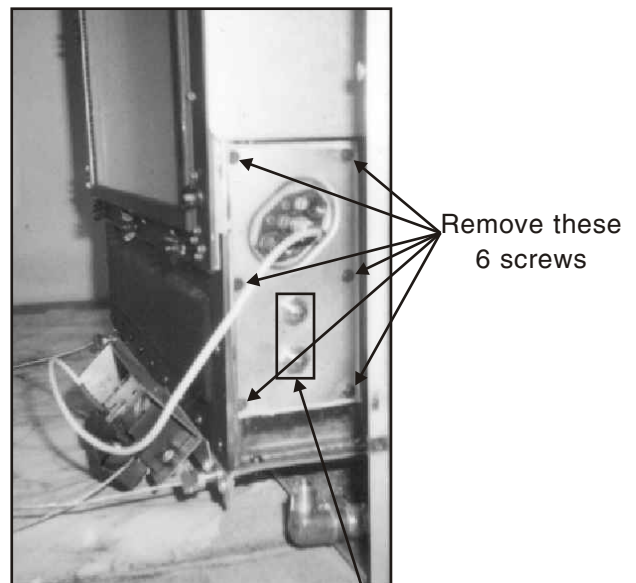


Fig 19.

14.5 Removing The Slider Control / FSD (Fig 20.)

- (a) Remove the outer case as previously described in Section 14.1.
- (b) Disconnect all four gas pipes from the left side of the slider control / FSD.
- (c) Disconnect the thermocouple from the bottom of the slider control / FSD.
- (d) Remove the linkage retaining screw.
- (e) Remove the two mounting screws and withdraw the slider control / FSD.
- (f) Refitting is the reverse procedure of removal.

14.6 Removing The Gas Shut Off Tap

- (a) Remove the controls assembly as previously described in Section 14.2.
- (b) Disconnect both of the gas pipe connections.
- (c) Loosen the locknut holding the gas tap in position.
- (d) Slide the tap off the bracket from the left.
- (e) Refitting is the reverse procedure of removal.

Important Note: Ensure that the linkage pin is correctly located in the gas shut off tap actuating cam when refitting (Fig 21.).

14.7 Removing The Pilot Injector

- (a) Remove the controls assembly as previously described in Section 14.2.
- (b) Remove the pilot injector.
- (c) Refitting is the reverse procedure of removal.

14.8 Removing The Thermocouple

- (a) Disconnect the yellow interrupt wires from the thermocouple.
- (b) Remove the thermocouple from the bottom of the slider control / FSD.
- (c) Remove the thermocouple from the pilot.
- (d) Refitting is the reverse procedure of removal.

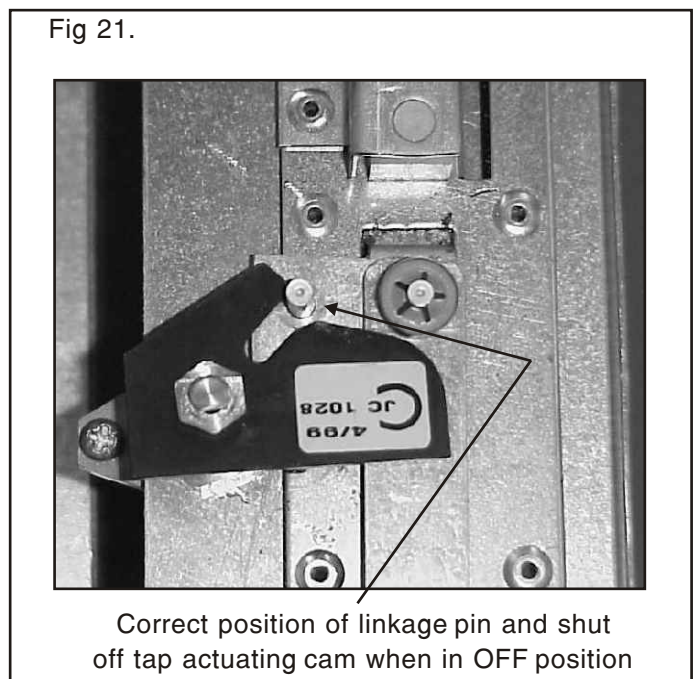
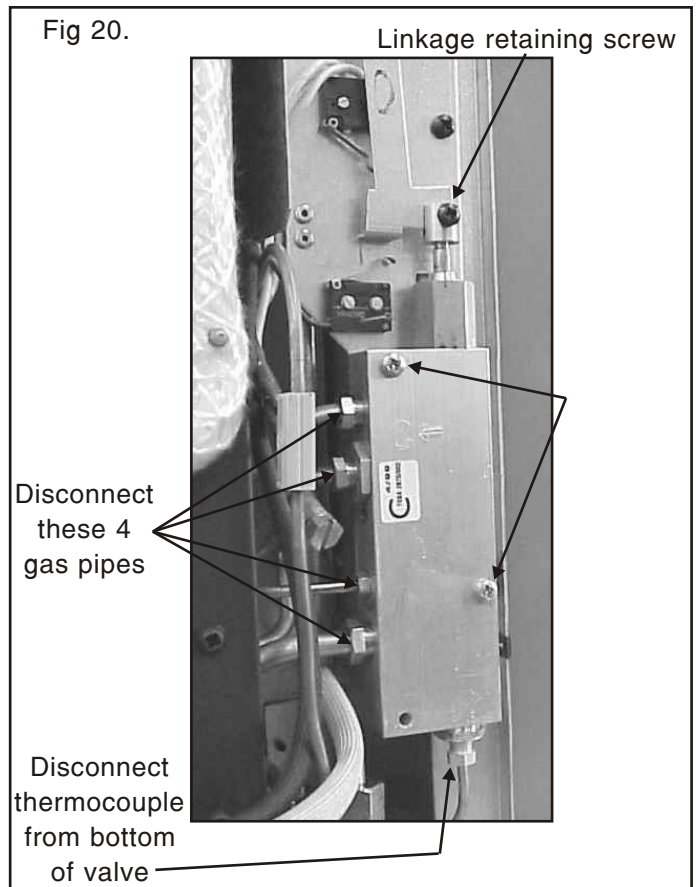
14.9 Removing The Ignition Electrode

- (a) Remove the outer case as previously described in Section 14.1.
- (b) Disconnect the tubing nut on the thermocouple at the pilot end.
- (c) Disconnect the ignition lead from the ignition electrode.
- (d) Disconnect the tubing nut on the ignition electrode.
- (e) Refitting is the reverse procedure of removal.

14.10 Pressure Relief Panels

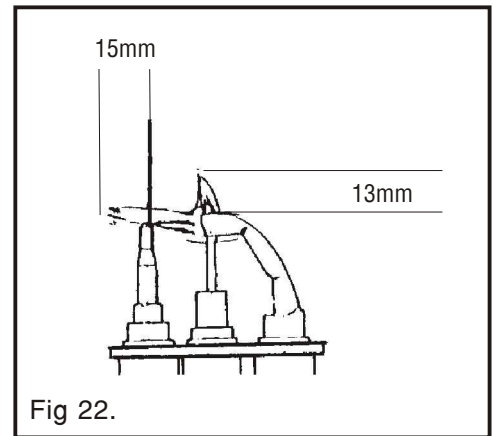
If dealing with a complaint resulting from a delayed ignition problem it is necessary to ensure that the pressure relief panels, in the firebox top, are properly located and that the gaskets are undamaged. If the gaskets are faulty change them as detailed below:-

- (a) Lift each pressure relief panel in turn and remove the old gaskets.
 - (b) Fit the new gaskets ensuring that they are properly located over the upturned flanges.
- © Lower the pressure relief panels onto the gaskets ensuring that they seat properly.



14.11 Removing The Pilot Burner

- Remove the controls assembly as previously described in Section 14.2.
- Remove the four screws securing the pilot burner to the combustion chamber.
- Remove the pilot burner.
- Refitting is the reverse procedure of removal.
- After refitting the pilot burner, visually check that the pilot flames are as shown in Fig 22.



14.12 Removing The Ignition Unit

- Remove the outer case as previously described in Section 14.1.
- Disconnect the red and blue wires from the ignition unit.
- Remove the two screws securing the unit to its mounting bracket.
Note: This operation will also remove the ignition unit heat shield.
- Refitting is the reverse procedure of removal.

14.13 Removing The Ignition Micro switch

- Remove the outer case as previously described in Section 14.1.
- Disconnect the red and blue wires from the ignition unit.
- Cut the cable tie securing the wires to the gas valve.
- Remove the two screws securing the micro switch to the controls assembly and withdraw the switch.
- Refitting is the reverse procedure of removal.

14.14 Removing The Thermocouple Break Micro switch

- Remove the outer case as previously described in Section 14.1.
- Disconnect the yellow wires from the thermocouple break.
- Remove the two screws securing the micro switch to the controls assembly and withdraw the switch.
- Refitting is the reverse procedure of removal.

15.0 SPARES AND SERVICE

For spares and service apply to your local supplier or installer stating that the appliance is a ATHENA R.S. The serial number of the heater is shown on the small label on the lower right side of the heater.

Advantage should be taken of regular servicing/inspection by a CORGI registered service agent to ensure continued safe and efficient operation of the heater.

16.0 SHORT LIST OF PARTS

SRW PART NUMBER	DESCRIPTION
991328	Coal Bed
990274	Control Knob
990284	Control Knob Bezel
822291	Gas Shut Off Tap
822290	Slider Control / FSD
820363	Ignition Electrode
822295	Thermocouple
990197	Glass Door Assembly
993911	Ignition Lead

All these spares plus a comprehensive list are available by contacting the address below.

990266 Issue 5
 ROBINSON WILLEY LIMITED
 Mill Lane, Old Swan, Liverpool. L13 4AJ. England.
 Telephone: 0151-228-9111 Fax: 0151-228-6661