

STOVAX



Riva F40 Cube *Multi-Fuel Free Standing Stove*

Installation Instructions Models: RVF40C

For use in Great Britain and Eire

This product is suitable for use in the stated countries. To install the product in other countries it is essential to obtain translated instructions and in some cases the product may require modification. Contact Stovax to obtain further information.

IMPORTANT

**Before installation of this product please read these instructions fully.
The installer should complete the commissioning sheet at the start of the User Instructions.**

TECHNICAL SPECIFICATION

RIVA STOVE: MODEL RVF40C

	RIVA F40 Cube Model: RVF40C
Nominal heat output	4.9 kW
Space heating output	4.9kW
Flue draught	1.25mm Wg
Fuel type	Seasoned wood (less than 20% moisture content) Manufactured smokeless fuel
Do not burn petroleum based fuels such as petro-coke, as these will seriously damage the appliance.	
Maximum log length	250mm
Flue outlet size	Standard 128mm (5")
Weight	80Kg

STANDARD FEATURES

- Primary air (under grate air for full multifuel use)
- Airwash (for woodburning / clean glass)
- Pre-set secondary air control (to ensure complete burning of flue gases)
- Riddling grate system for clean de-ashing
- Stainless steel ashpan
- Removable door handle

PACKING LIST

- User Instructions
- Installer Instructions
- Guarantee card
- Accessory catalogue
- Pair leather stove gloves
- Fixing kit (2 x Rawl plugs + 2 x Coach screws)
- 2.5mm A/F hex socket key
- 3.0 mm A/F hex socket key

SITE REQUIREMENTS

Before installation of this product please read these instructions fully.

It is very important to also understand the requirements of the UK Building Regulations (England and Wales – Document J / Scotland - Part F), along with any local regulations that may apply. Should any conflict occur between these instructions and these regulations the regulations shall apply.

Your local Building Control Office would be happy to advise should questions arise, regarding the requirements of the regulations.

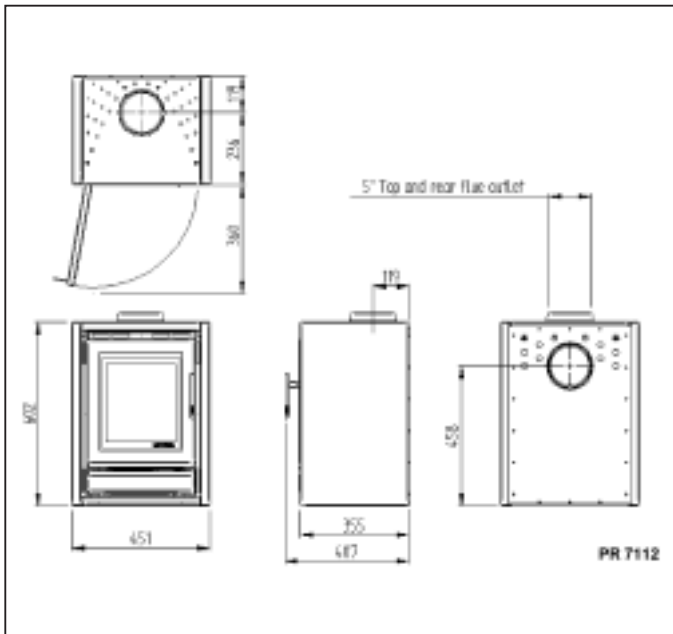
The Riva Stove should be fitted by a HETAS (GB only) registered installer, or approved by your local building control officer. Your Stovax dealer should be able to arrange this service for you.

Your building insurance company may also require you to inform them that you have installed a new heating appliance, so check with your insurers that your cover is still valid after installing the Riva Stove.

When completing the installation and building works you should comply with your responsibilities under the Health and Safety at Work Acts, and any new regulations, which may be introduced during the lifetime of these instructions.

A faulty installation could cause danger to the inhabitants and structure of the building.

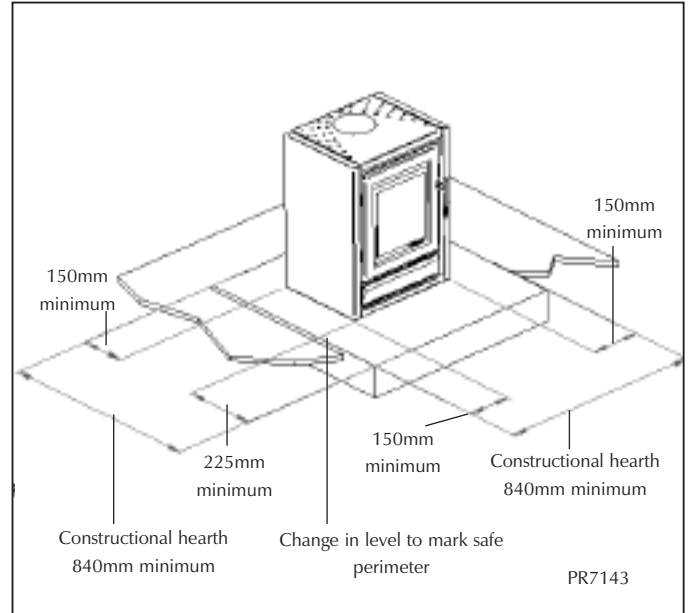
RIVA F40 CUBE DIMENSIONS



Additional information covering the installation the Riva F40 Cube may be found in the following British Standards: - BS6461, BS6999, and BS8303.

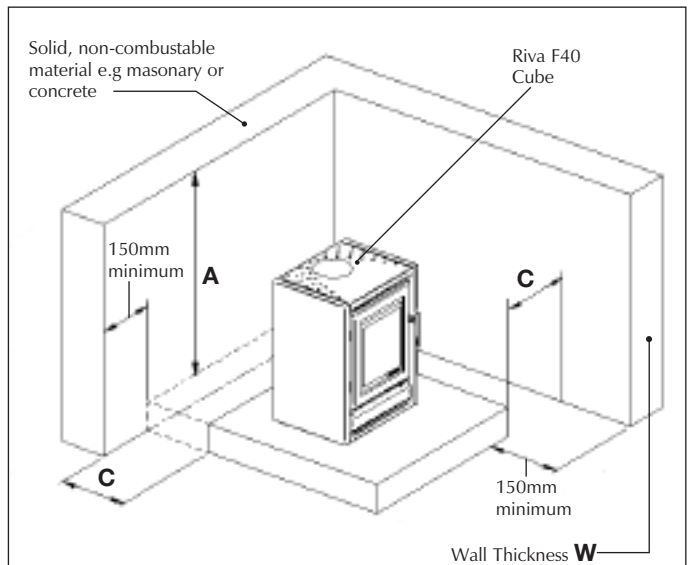
HEARTH DIMENSIONS

The appliance must stand on a constructional hearth with the minimum dimensions as shown in diagram below.



If you are fitting the appliance into an existing hearth setting check that it complies with the current construction regulations and is the minimum sizes shown.

If you have no existing fireplace or chimney, it is possible to construct a suitable hearth setting. However this should be constructed to comply with the requirements of both current national and local regulations with the design approved by your local building control officer. Remember that any new chimney added to your property may also require planning permission.



NB The above diagram and the table at the top of page 4 have been taken from the Building Regulations, document J.

PRE-INSTALLATION CHECKS

Location of hearth or Riva F40 Cube	Solid, non combustible material	
	Thickness (W)	height (A)
Where the hearth abuts a wall and the Riva Stove is not more than 50mm from the wall	200mm	At least 300mm above the Riva Stove and 1200mm above the hearth
Where the hearth abuts a wall and the appliance is more than 50mm but not more than 300mm from the wall.	75mm	At least 300mm above the Riva Stove and 1200mm above the hearth
Where the hearth does not abut a wall and is more than 150mm from the wall. See note below	75mm	At least 1200mm above the hearth
Note: There is no requirement for protection the wall where C is more than 150mm		

If is important that adequate Ventilation exists and the Flue or Chimney system that is to be used is in good working condition. Products of combustion that enter the room could be a serious health risk. Before installation of this product we recommend that the Flue or Chimney system and Ventilation requirements are inspected by a competent person, and passed as suitable for use with the appliance to be fitted. In particular the following.

1. FLUE AND CHIMNEY

- 1.1 The construction of the Flue or Chimney system should meet the requirements of the Building Regulations with sizes as shown:-
- Riva F40 Cube** – 125mm (5") diameter with liner or factory made system.
150mm (6") diameter or 135mm (5½") square diameter without liner .
- 1.2 If a suitable approved factory made system is to be used it should be installed to the manufactures instructions. Do not connect to systems containing large voids, or over 230mm
- 1.3 The minimum height of the Flue or Chimney must be 4m (13') when measured from the hearth to the top of the flue, with no horizontal sections, and the maximum of 4 bends with angles of less than 45 degrees.
- 1.4 A suitable approved factory made system may be used when installed to the manufacturer's instructions.
- 1.5 The minimum height of the Flue or Chimney must be 4m (13') when measured from the hearth to the top of the flue, with no horizontal sections, and the minimum number of bends.

- 1.6 The flue exit from the building should be positioned to comply with the requirements of the Building Regulations.
- 1.7 The Flue or Chimney must be free from any obstruction of any kind.
- 1.8 The Flue or Chimney must be clean and sound. If it has previously been used with wood, coal or solid fuel, it should be swept before use.
- 1.9 Ensure no other heating appliances are connected to the same Flue or Chimney system.
- 1.10 Check that the Flue or Chimney is structurally sound. In particular it should not be possible for products of combustion to come into contact with combustible materials in the structure of the building.
- 1.11 Check the flue draught. This should be done with all windows and doors closed and any extraction fans in this or adjoining rooms running at maximum speed. (See next section for additional ventilation requirements)

Note: A guide containing general information on Chimneys and Flues is obtainable from: -

The British Flue & Chimney Manufacturers' Association,
FETA
2 Waltham court
Milley lane
Hare hatch
Reading
Bucks
RG10 9TH
Tel : - 01189403416 e-mail :- info@feta.co.uk

2. ADDITIONAL VENTILATION

- 2.1 The Riva stove has no requirement for additional, as the natural leakage into the room around doors and windows may be adequate. However, in well insulated rooms it may be necessary to provide an additional air supply.
- 2.2 Extractor fans or cooker hoods should not be placed in the same room or space as the appliance.
- 2.3 **If any of these checks reveal problems do not proceed with the fitting of the appliance until they have been rectified.**

INSTALLATION INSTRUCTIONS

To make the fitting of the Riva Stove easier, gain better access to the flue connection and protect paint work from damage, remove the internal components the ash pit door and door.

1. DOOR REMOVAL

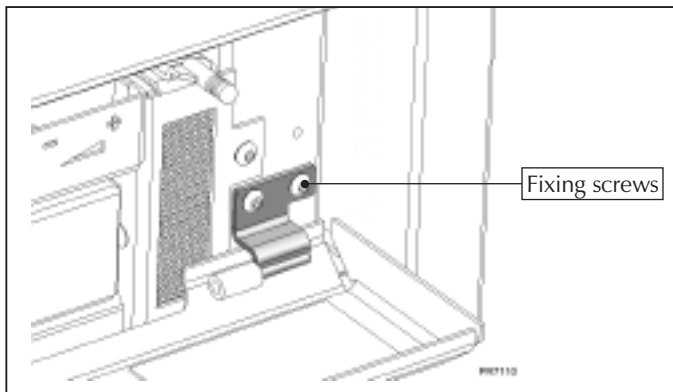
(Tools required – None)

- 1.1 Remove the door from the Riva stove, by opening the door by approximately 25mm and lifting the door free of the hinge blocks on the left of the door. Then lie the door face down on a soft flat surface, to protect the paint work and glass.

2. ASHPIT DOOR REMOVAL

(Tools required – 2.5mm A/F Hex socket key)

- 2.1 Remove the ashpit door by lowering the door to expose the hinge fixing screws (2 each hinge). Remove the fixing screws and lift the ashpit door clear of the appliance.

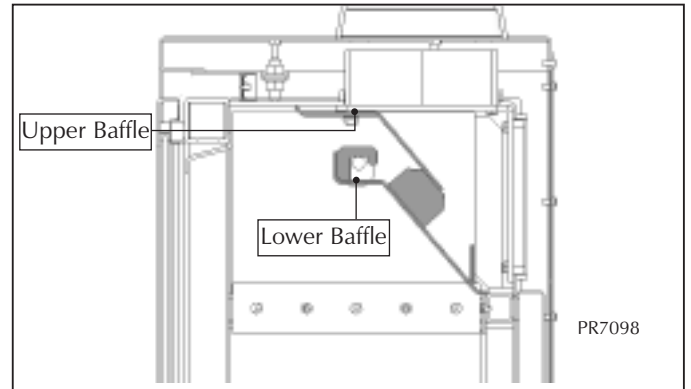


- 2.2 The replacement is the reverse of the previous operations..

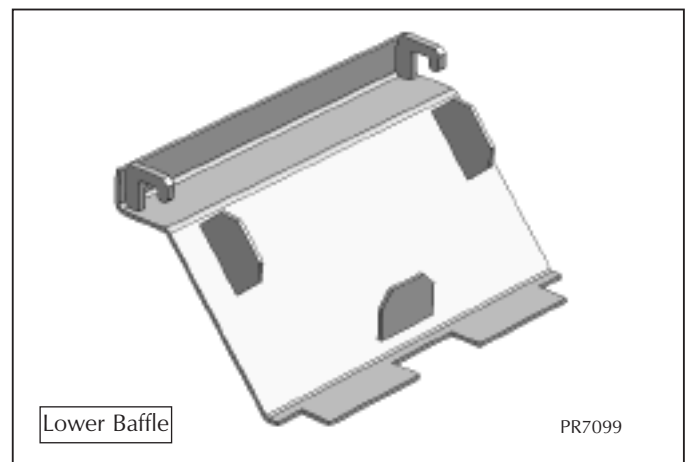
3. BAFFLE REMOVAL

(Tools required – None)

- 3.1 To maintain efficient combustion the Riva stove is fitted with a twin baffle system, consisting of upper and lower baffles.

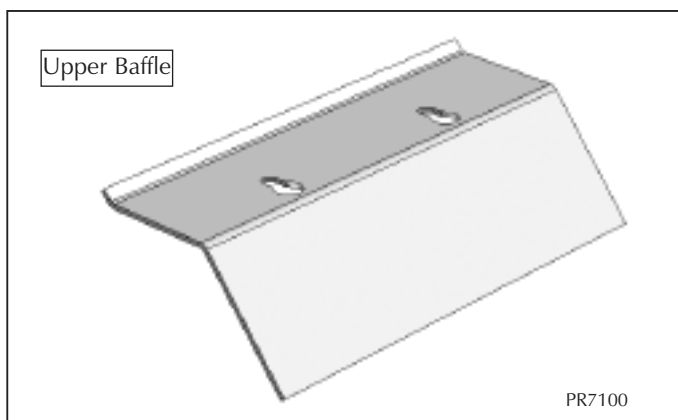


- 3.2 To remove the baffle, first remove the Log Guard from the stove to give access to the firebox.
- 3.3 **First** remove the **Lower Baffle** (see diagram above) by lifting the front edge to unhook it from the support bars, then pull the baffle forward to disengage the rear edge from the location above air inlet holes. Rotate the baffle to remove from the firebox through the door opening.



- 3.4 **Second** remove the **Upper Baffle** (see diagram above) by pulling forward to disengage it from the hanging points at the top of the firebox. Rotate the baffle to remove from the firebox through the door opening.

INTSALLATION INSTRUCTIONS



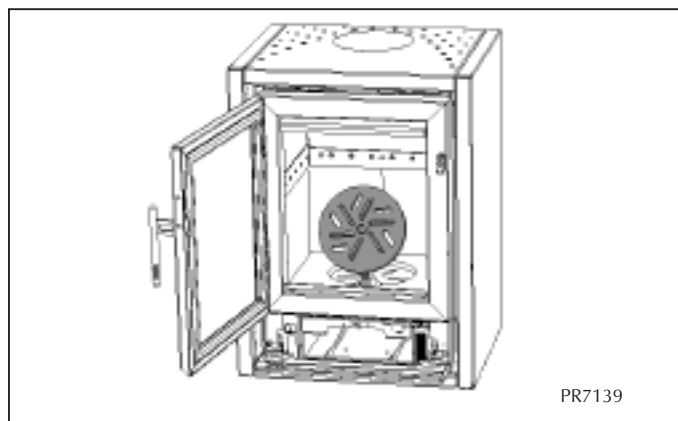
3.5 The replacement of the system is the reverse of the previous operations.

Do not modify the baffle

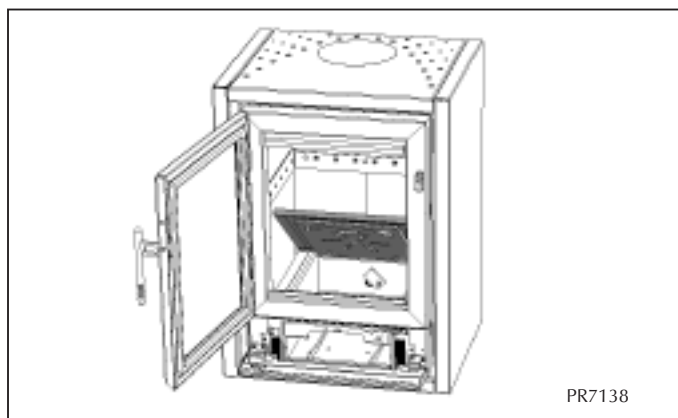
4. FIREGRATE REMOVAL

(Tools required – None)

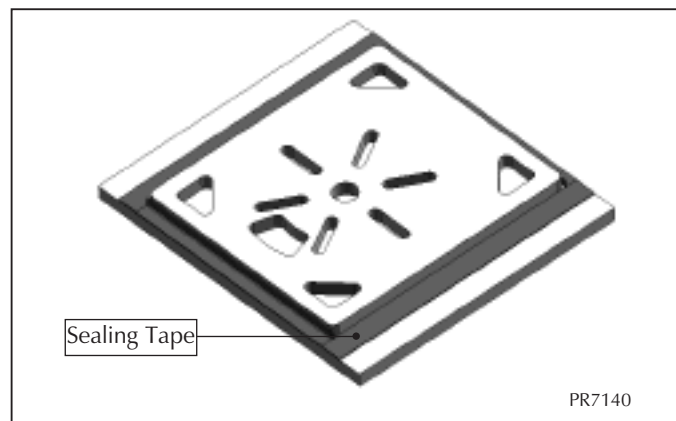
4.1 To remove the grate, first remove the ash pan, then the centre grate by tipping the grate control down wards and lifting the centre grate vertically.



4.2 The main grate can then be lifted by the front first and then rotating the main grate to clear the firebox.



4.3 Ensure that the seal tape on the underside of the grate is in good condition and correctly fitted. If not, replace with new seal tape (stovax part number 4998).



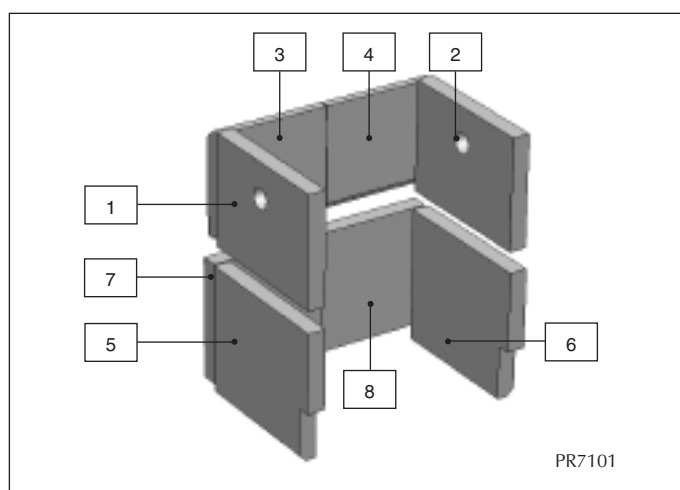
4.4 Replace the grate in the reverse order from removal.

4.5 Ensure that the grate sits flat on the sides supports, and that no debris are trapped under it . Check also that the centre grate sits flat and rotates freely with no debris trapped under it

5. BRICK REMOVAL

(Tools required – None)

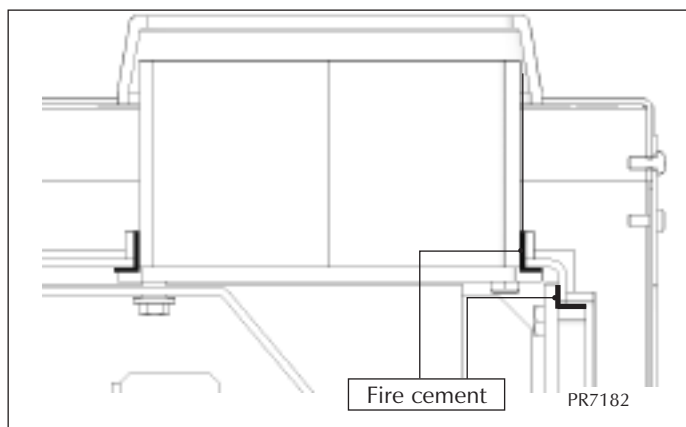
5.1 The bricks must be removed and replaced in the correct order, as shown, after removing the baffles and grate system.



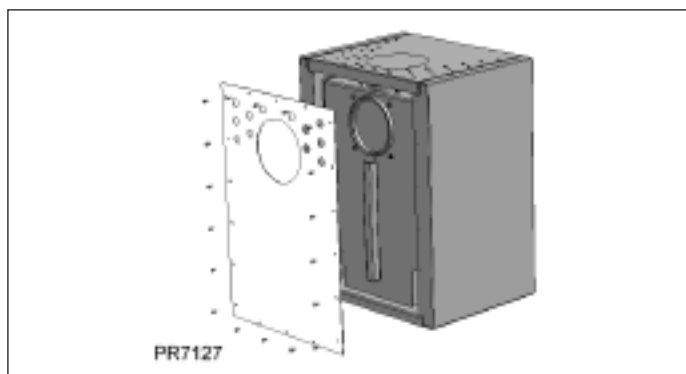
INSTALLATION INSTRUCTIONS

6. INSTALLING THE APPLIANCE

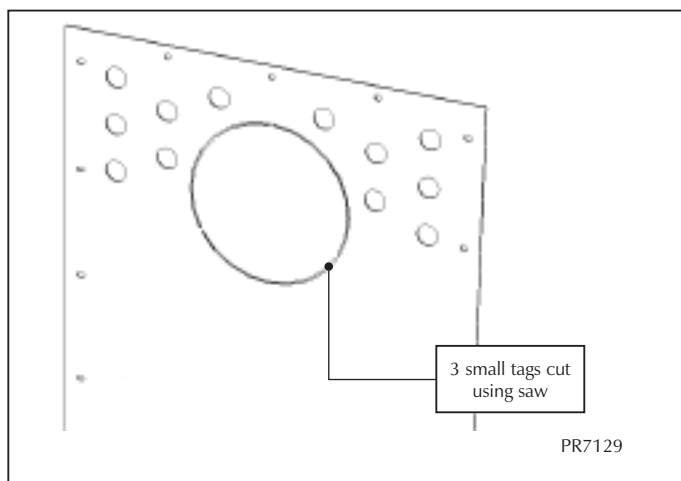
- 6.1 **Select and fit the required flue option.**
 6.2 **Top flue** (Tools required – 10mm A/F Spanner/Socket Wrench)
 6.3 The stove is factory supplied with top flue outlet but the flue collar and blanking plate requires sealing with Fire Cement before use. Also see section 6.13.



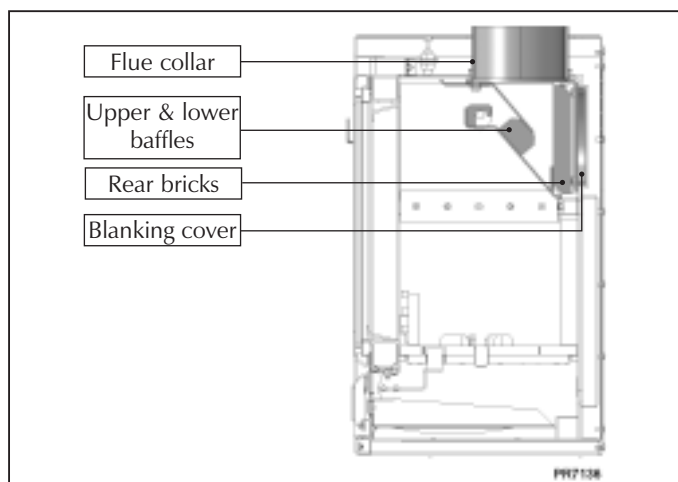
- 6.4 **Rear flue** (Tools required - cross headed screw driver, 10mm A/F spanner/socket wrench and a keyhole saw)
 6.5 Remove the back cover after removing the fixing screws.



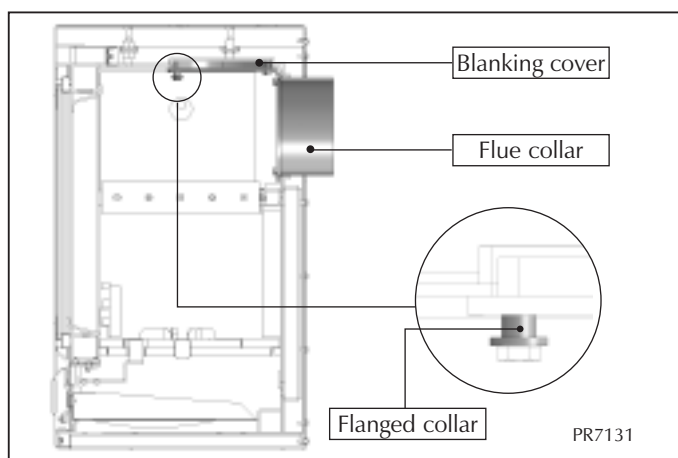
- 6.6 Remove the flue break-out cover using a small saw to cut the 3 securing tags.



- 6.7 Reverse the flue spigot and blanking plate as detailed.



- Remove upper and lower baffle see Section 3
 Remove rear top bricks (No 3 in diagram) see Section 5
 Remove the flue spigot using a 10mm A/F spanner/socket wrench to remove the 4 fixing bolts including the 2 flanged spacers.
 spanner/socket wrench to remove the 4 bolts.
 Remove the blanking plate using a 10mm A/F

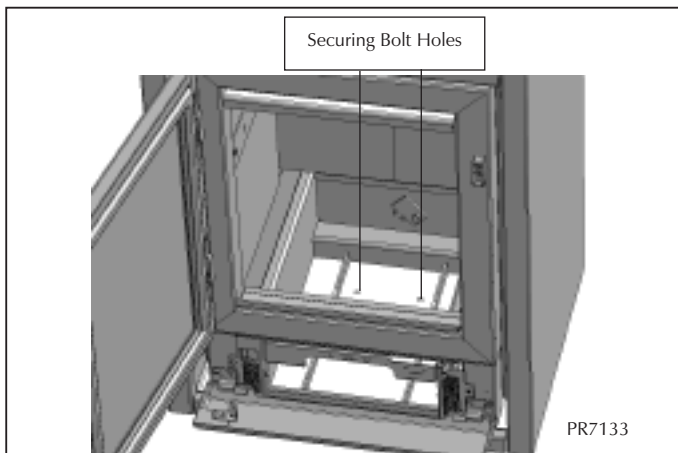


- 6.8 Fitting the flue spigot and blanking plate.

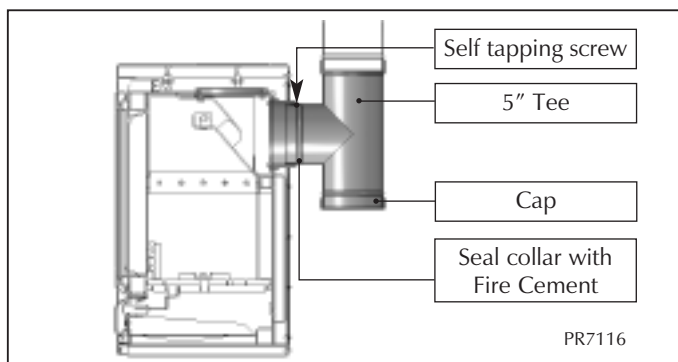
- Fit the blanking plate to the top flue outlet by using the 4 bolts (including the 2 flanged spacers as shown) sealing to the firebox using fire cement.
 Fit the flue collar to the rear flue outlet using the 4 bolts from the cover plate sealing to the firebox using fire cement.
 Do not replace the firebrick
 Re-install upper and lower baffle see Section 3

INSTALLATION INSTRUCTIONS

- 6.9 Securing to hearth (Tools required - 10mm A/F spanner/socket wrench and masonry drill.)

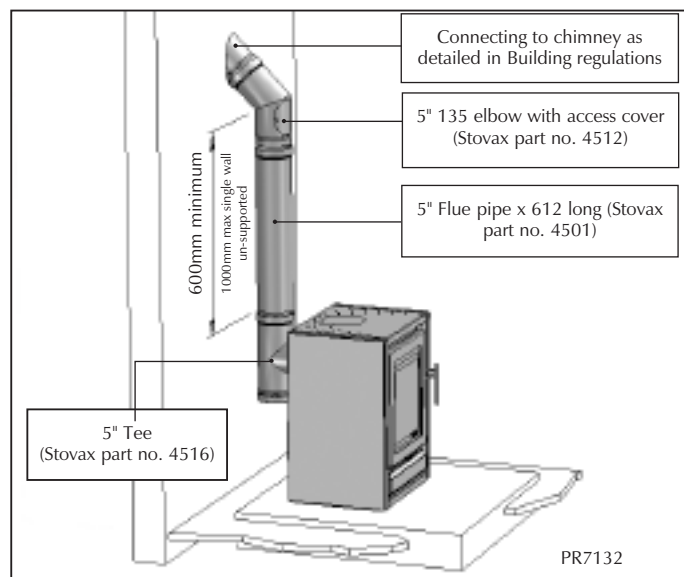


- 6.10 Rear flue pipe installation (Tools required – Screwdriver for suitable self tapping screw)

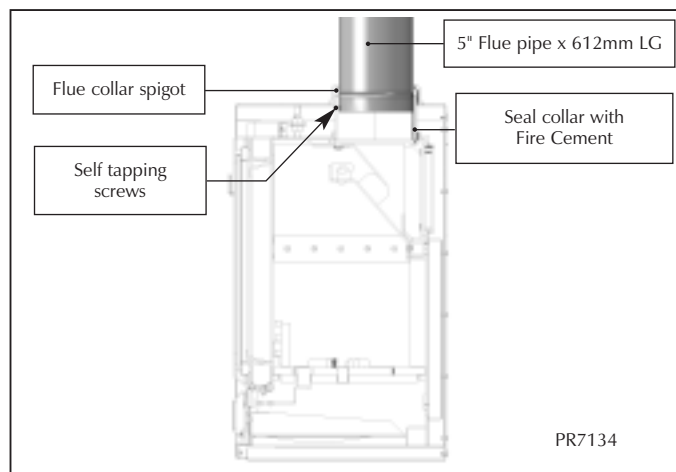


- 6.11 Connect a 5" tee (stovax part no 4516) by inserting it into the flue spigot, sealing using fire cement and secure with a suitable self tapping screw. The cap supplied with the tee is used as the cleaning access.

- 6.12 Typical rear flue installation. Flue to be installed in accordance with manufactures instructions.

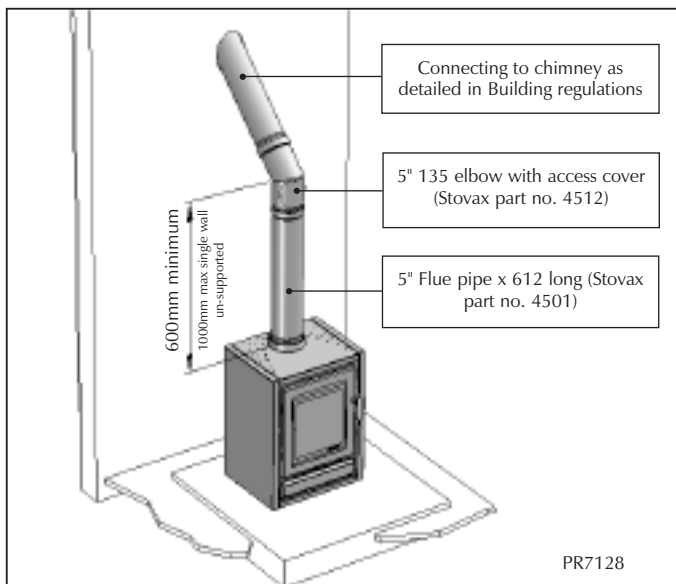


- 6.13 Top flue pipe installation (Tools required – Screwdriver for suitable self tapping screw)



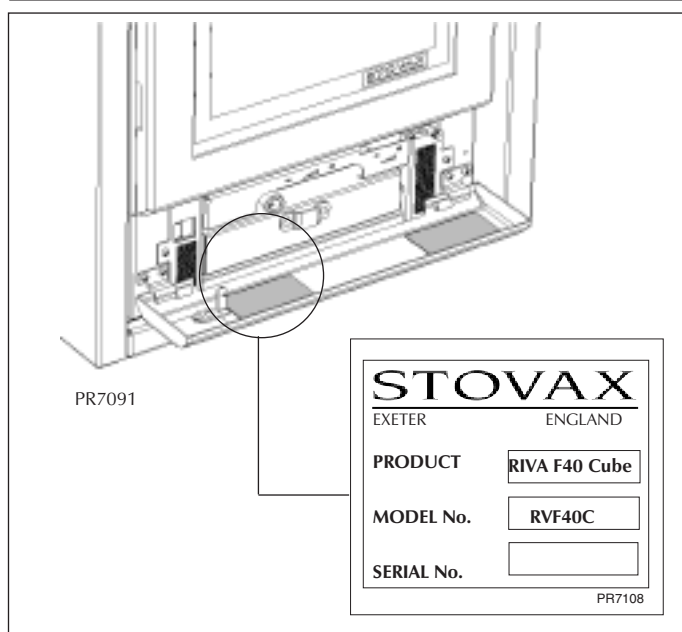
- 6.14 Connect a 5" flue pipe 612mm long (Stovax part no 4501) by inserting it into the flue spigot, seal using fire cement and secure with a suitable self tapping screw. Fit the cast iron finishing collar over the flue pipe and locate into recess in the top cover.

- 6.15 Typical top flue installation Flue to be installed in accordance with manufactures instructions.

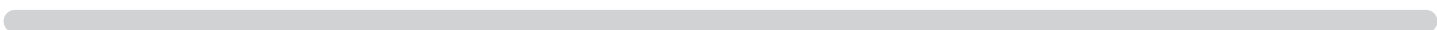


COMMISSIONING

- 1.1 Replace the firegrate, firebricks, baffles, log retainer, and door(s). Check the door alignment and catch operation, adjust if required as detailed on page 10 of the User Instructions. Inspect the door seals for damage and check the operation of the air controls.
- 1.2 Carry out a final smoke draw test, by first warming the flue with a blowlamp, or similar, for about 10 minutes. Then place a smoke pellet on the centre of the grate, with the air controls open, and close the door. Smoke should now be drawn up the flue and be seen to exit from the flue terminal. This test should be completed with all doors and windows in the room where the Stove is fitted closed. Should this test fail the suitability of the flue system and ventilation should be re-checked.
- 1.3 Light the appliance and gently allow the temperature to increase slowly to operating levels. Check that no combustion products are entering the room. When the Stove has reached a steady operating condition open the main firedoor and carry out a spillage test with a smoke match or pellet around the door opening. If excessive spillage does occur allow the appliance to cool and re-check the suitability of the flue system and ventilation.
- 1.4 Explain the safe operation of the stove and the use of the controls to the user, along with the need to only use suitable fuels. Also explain the cleaning and routine maintenance requirements.
- 1.5 Explain the requirements to use a suitable fireguard when children, elderly or infirm persons may be near the appliance.
- 1.6 **Record dealer/supplier details and installer details in user instructions.**
- 1.7 **Record serial number in user instructions.**
This number will be required when ordering spare parts and making warranty claims.



- 1.8 **Give the copy of the user instructions to the customer.**



Stovax Ltd, Falcon Road, Sowton Industrial Estate, Exeter, Devon, England EX2 7LF
Tel: (01392) 474011 Fax: (01392) 219932 E-mail: info@stovax.com www.stovax.com