

VAILLANT SPARE PART CATALOGUE

Vaillant unvented indirect

hot water cylinder

VANTAGE VIHC120

VANTAGE 120

VANTAGE 150, 200

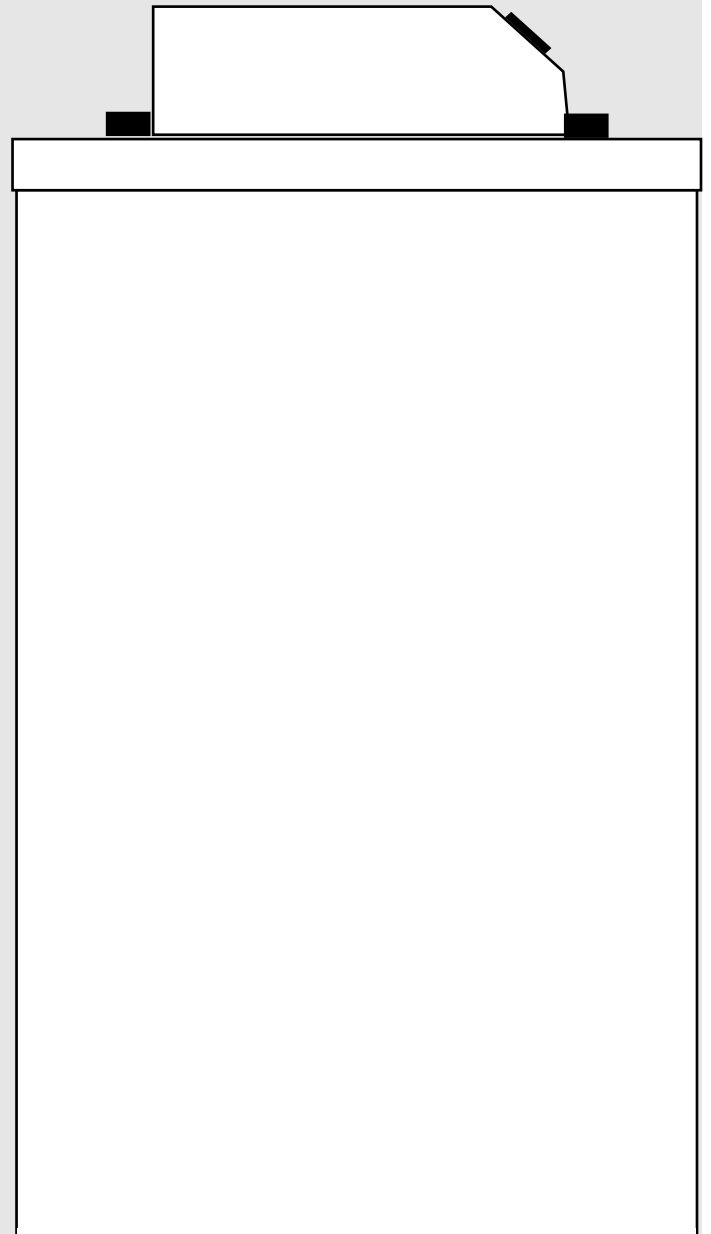
Vaillant gas fired storage

water heater

VGH 130/1, 160/1, 190/1

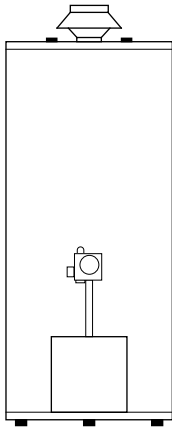
VGH 130/2, 160/2, 190/2

VGH 130/3, 160/3, 190/3, 220/3

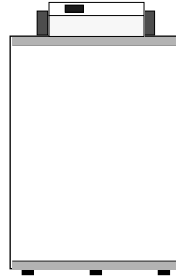


8026 97 GB 09/96

View of appliances



VGH 130/1, 160/1, 190/1
VGH 130/2 Z, 160/2 Z, 190/2 Z
VGH 130/3 Z - 220/3 Z

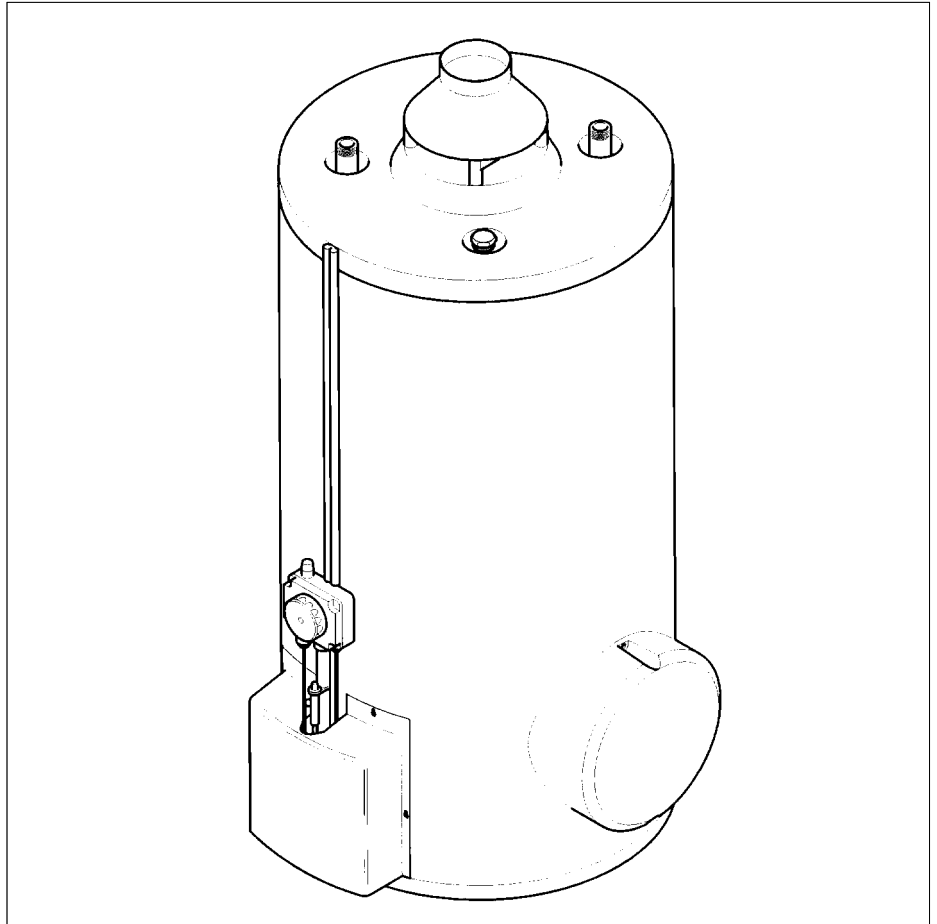


Vantage VIHC 120
Vantage 120, 150, 200

Content

	Page
Vaillant gas fired storage water heater	3 - 11
Vaillant unvented indirect hot water cylinder	13 - 25
Vaillant safety assembly	27 - 31

Vaillant gas fired storage water heater



Vaillant gas fired storage water heater
VGH 130/1, 160/1, 190/1

Page

4 - 5

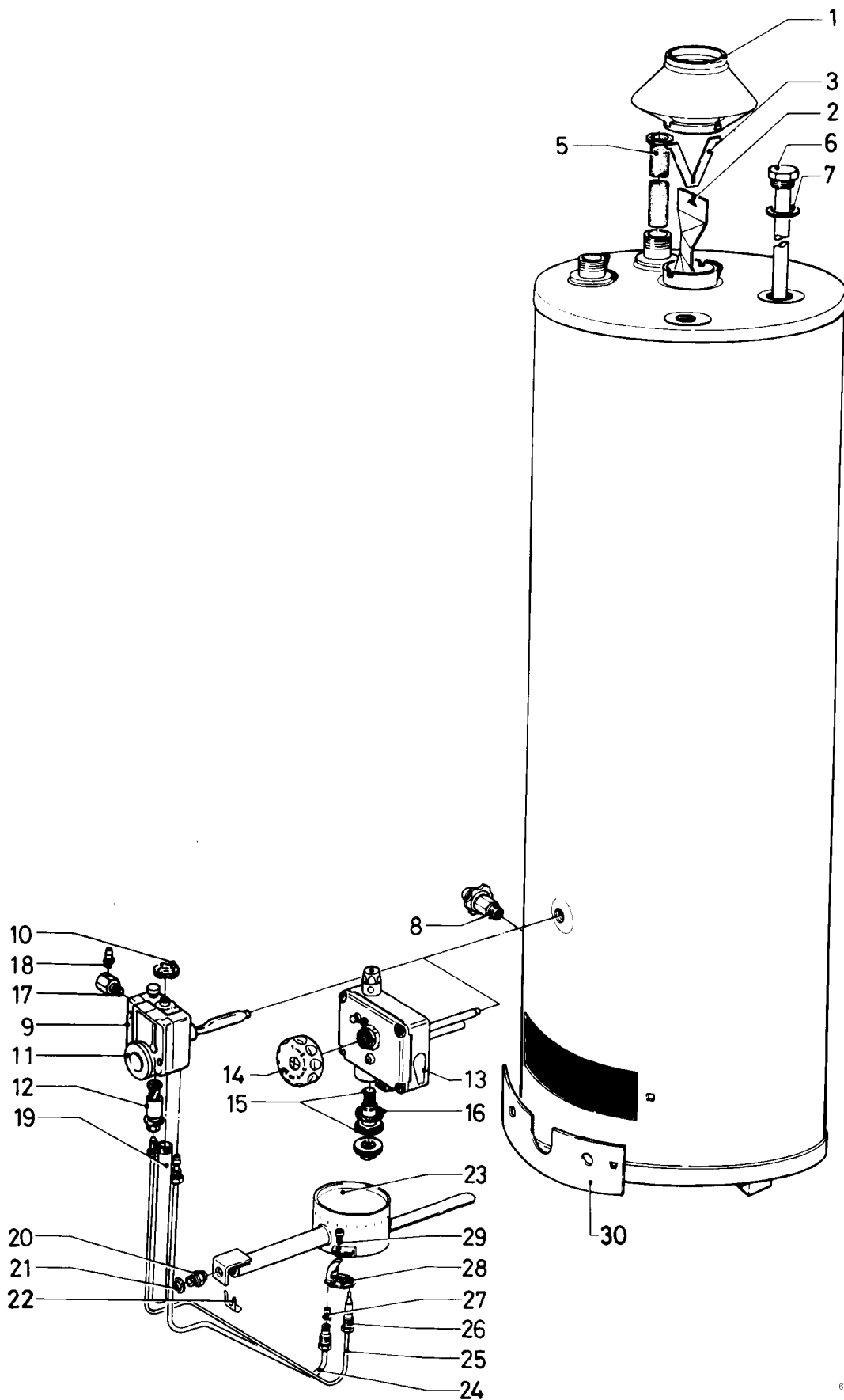
Vaillant gas fired storage water heater
VGH 130/2 Z, 160/2 Z, 190/2 Z

6 - 7

Vaillant gas fired storage water heater
VGH 130/3 Z, 160/3 Z, 190/3 Z, 220/3 Z

8 - 11

Vaillant gas fired storage water heater
VGH 130/1, 160/1, 190/1



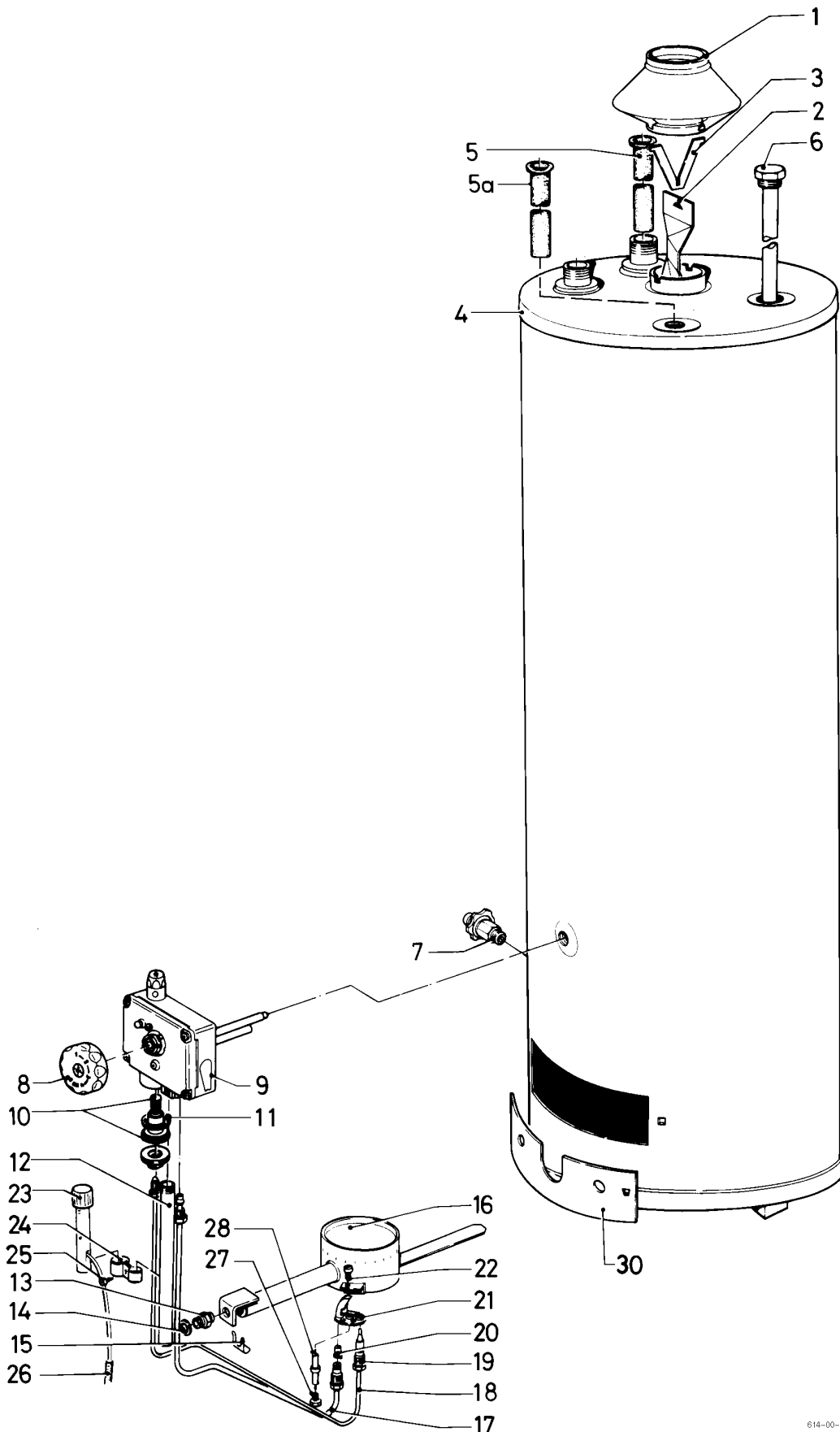
614-00-60-002

Vaillant gas fired storage water heater

VGH 130/1, 160/1, 190/1

Pict. No.	Article-No.	Part	Indic.	Type, Remarks
1	07-3998	draft diverter		
2	15-3255	guide plate		VGH 130/1
	15-3256	guide plate		VGH 160/1
	15-3286	guide plate		VGH 190/1
3	08-6104	support		
5	19-1091	tube		VGH 130/1
	19-1090	tube		
	19-1007	tube		
-	08-3851	tube		not shown
6	28-5865	corrosion protection anode ¹⁾		VGH 130/1
	28-5867	corrosion protection anode ¹⁾		VGH 160/1, 190/1.
				¹⁾ Notice All corrosion protection anodes have been changed in length + depth from original specification
7	98-1745	packingring		
8	08-2205	drain valve		
9		gas section		as shown no longer available, please order part-no. 05-1023 (see pict.-no. 13)
10	14-3931	knob		
11	14-3930	knob		
12		magneto		as shown no longer available, please order part-no. 05-1023 (see pict.-no. 13)
13	05-1023	gas section		with parts 14-16
14	14-3942	knob		
15	17-0262	magneto		
16	98-1765	packingring		
17	08-0809	connection		
18	04-0248	test nipple		
19	08-4712	connection tube		
20	24-8305	burner nozzle	3,05	VGH 130/1 natural gas
	24-8130	burner nozzle	1,30	VGH 130/1 LP-gas
	24-8330	burner nozzle	3,30	VGH 160/1 natural gas
	24-8142	burner nozzle	1,42	VGH 160/1 LP-gas
	24-8340	burner nozzle	3,40	VGH 190/1 natural gas
	24-8150	burner nozzle	1,50	VGH 190/1 LP-gas
21	98-0424	packingring		
22	12-6134	spring		
23	04-1449	burner		
24	04-3929	pilot burner tube		
25	17-1170	thermo-couple		
26	18-2621	screw		
27	04-2843	pilot burner nozzle	38	natural gas (jet number is not orifice size)
	04-2839	pilot burner nozzle	21	LP-gas (jet number is not orifice size)
28	04-2914	pilot burner support		
29	08-8624	screw		
30	07-0413	cover plate		

Vaillant gas fired storage water heater
 VGH 130/2 Z, 160/2 Z, 190/2 Z



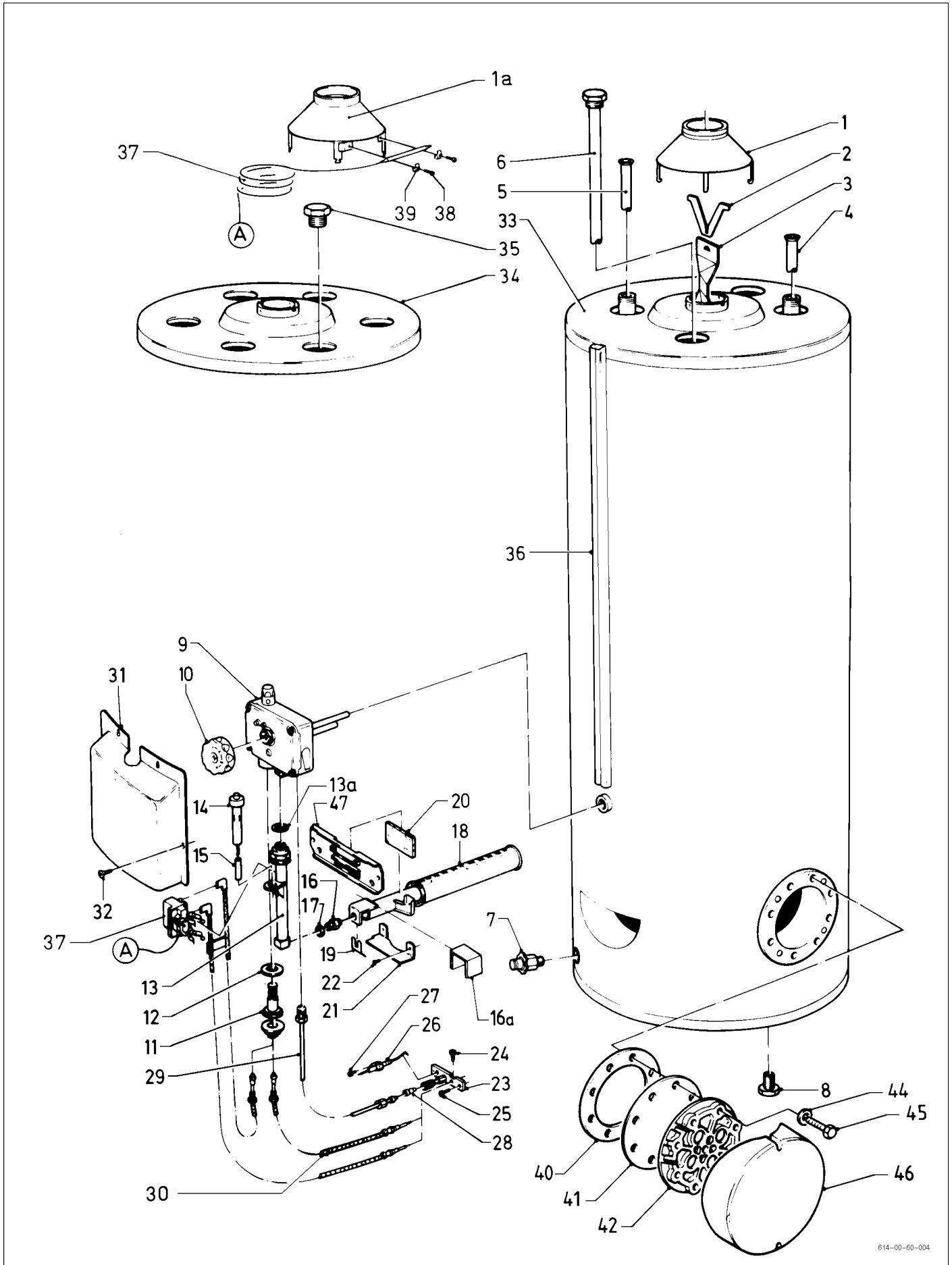
614-00-60-008

Vaillant gas fired storage water heater

VGH 130/2 Z, 160/2 Z, 190/2 Z

Pict. No.	Article-No.	Part	Indic.	Type, Remarks
1	07-3998	draft diverter		VGH 130/2-190/2 (push fit on flue duct, old type)
	07-4923	draft diverter		VGH 130/2-190/2(version with location push fit on top cover (new type)
2	15-3324	flue baffle (spiral)		VGH 130/2
	15-3326	flue baffle (spiral)		VGH 160/2
	15-3328	flue baffle (spiral)		VGH 190/2
3	08-6104	support		
4	-	cover		for VGH 130/2-190/2 with draft diverter (push fit on flue duct) no longer available. substitute: top cover 07-1822 and draft diverter 07-4923 (pict-no. 1)
	07-1822	top cover		VGH 130/2-190/2 (new model with draft diverter located on top cover
5	19-1091	dip tube		VGH 130/2 (for cold water connection)
	19-1090	dip tube		VGH 160/2 (for cold water connection)
	19-1007	dip tube		VGH 190/2 (for cold water connection)
5a	19-1090	dip tube for circulation	960 mm	for VGH 130/2 shorten to 700 mm for VGH 160/2 shorten to 800 mm
6	28-5865	corrosion protection anode ¹⁾		VGH 130/2
	28-5866	corrosion protection anode ¹⁾		VGH 160/2
	28-5867	corrosion protection anode ¹⁾		VGH 190/2
				¹⁾ Notice All corrosion protection anodes have been changed in length + depth from original specification
7	08-2205	drain valve		
8	14-3942	knob		
9	05-1023	gas section		with parts 13-15
10	17-0262	magneto		
11	98-1765	packingring		
12	08-4712	connection tube		VGH 130/2-190/2
13	24-8260	burner nozzle	2,60	VGH 130/2 natural gas
	24-8270	burner nozzle	2,70	VGH 160/2 natural gas
	24-8280	burner nozzle	2,80	VGH 190/2 natural gas
	24-8130	burner nozzle	1,30	VGH 130/2 LP-gas
	24-8142	burner nozzle	1,42	VGH 160/2 LP-gas
	24-8150	burner nozzle	1,50	VGH 190/2 LP-gas
14	98-0424	packingring		
15	12-6134	spring		
16	04-1449	burner		VGH 130/2-190/2
17	04-3929	pilot burner tube		
18	17-1170	thermo-couple		
19	18-2621	screw		
20	04-2843	pilot burner nozzle	38	natural gas (jet number is not orifice size)
	04-2839	pilot burner nozzle	21	LP-gas (jet number is not orifice size)
21	04-2914	pilot burner support		
22	08-8624	screw		
23	09-1060	piezo ignition		
24	08-6335	support		
25	07-0334	screw		
26	17-7634	insulating tube		
27	18-2618	screw		
29	09-0638	ignition electrode		
30	07-0463	cover plate	beige	VGH 130/2-190/2

**Vaillant gas fired storage water heater
 VGH 130/3 Z, 160/3 Z, 190/3 Z, 220/3 Z**



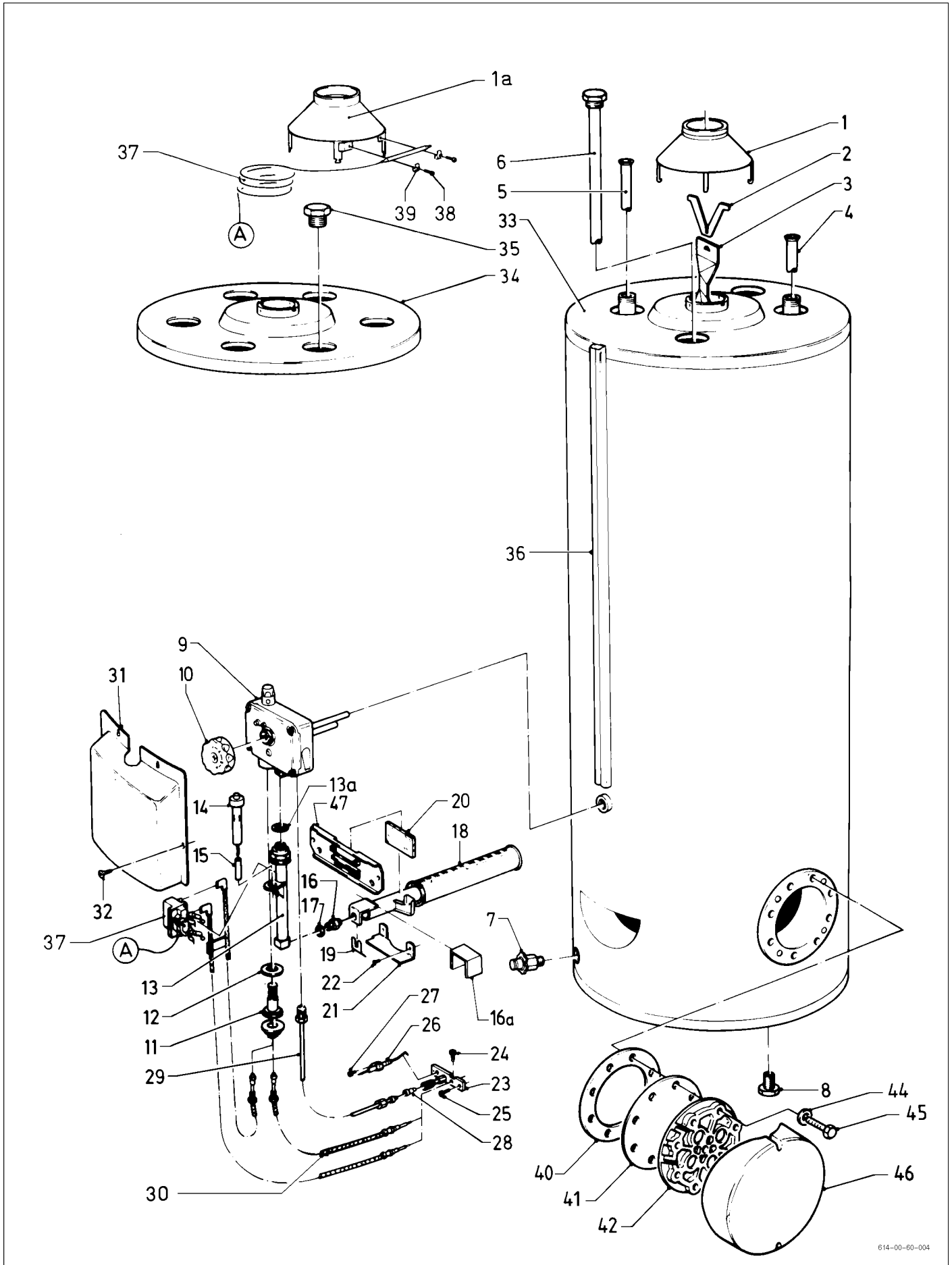
614-00-60-004

Vaillant gas fired storage water heater

VGH 130/3 Z, 160/3 Z, 190/3 Z, 220/3 Z

Pict. No.	Article-No.	Part	Indic.	Type, Remarks
1	07-4923	draft diverter		
2	08-6104	support		
3	15-3391	flue baffle (spiral)		VGH 130/3
	15-3393	flue baffle (spiral)		VGH 160/3
	15-3395	flue baffle (spiral)		VGH 190/3
	15-3328	flue baffle (spiral)		VGH 220/3
4	19-1091	dip tube		VGH 130/3, length of 800 mm, ø 20 mm
	19-2982	dip tube		VGH 130/3, length of 800 mm, ø 18 mm
	19-1090	dip tube		VGH 160/3, length of 960 mm, ø 20 mm
	19-2981	dip tube		VGH 160/3, length of 960 mm, ø 18 mm
	19-1007	dip tube		VGH 190/3, length of 1190 mm, ø 20 mm
	19-2980	dip tube		VGH 190/3, length of 1190 mm, ø 18 mm
	19-2955	dip tube		VGH 220/3, length of 1460 mm, ø 20 mm
	19-2983	dip tube		VGH 220/3, length of 1460 mm, ø 18 mm
5	19-1091	dip tube		VGH 130/3, length of 800 mm, ø 20 mm
	19-2982	dip tube		VGH 130/3, length of 800 mm, ø 18 mm
	19-1090	dip tube		VGH 160/3, length of 960 mm, ø 20 mm
	19-2981	dip tube		VGH 160/3, length of 960 mm, ø 18 mm
	19-1007	dip tube		VGH 190/3, length of 1190 mm, ø 20 mm
	19-2980	dip tube		VGH 190/3, length of 1190 mm, ø 18 mm
	19-2955	dip tube		VGH 220/3, length of 1460 mm, ø 20 mm
	19-2983	dip tube		VGH 220/3, length of 1460 mm, ø 18 mm
6	28-5866	corrosion protection anode ¹⁾		VGH 130/3, length of 855 mm
	28-5867	corrosion protection anode ¹⁾		VGH 160/3, length of 970 mm
	28-5868	corrosion protection anode ¹⁾		VGH 190/3, length of 1080 mm
	28-5869	corrosion protection anode ¹⁾		VGH 220/3, length of 1200 mm
				¹⁾ Notice All corrosion protection anodes have been changed in length + depth from original specification
7	08-2205	drain valve		
8	07-1931	adjusting screw		
9	05-1023	gas section		with parts 10 - 12
10	14-3942	knob		
11	17-0262	magneto		
12	98-1765	packingring		
13	08-4733	connection tube		
13a	98-0214	packingring		
14	09-1060	piezo ignition		
15	08-0364	hose		
16	24-8240	burner nozzle	2,40 mm ø	VGH 130/3 natural gas
	24-8260	burner nozzle	2,60 mm ø	VGH 160/3 natural gas
	24-8260	burner nozzle	2,60 mm ø	VGH 190/3 natural gas
	24-8280	burner nozzle	2,80 mm ø	VGH 220/3 natural gas
	24-8132	burner nozzle	1,32 mm ø	VGH 130/3 LP-gas
	24-8138	burner nozzle	1,38 mm ø	VGH 160/3 LP-gas
	24-8142	burner nozzle	1,42 mm ø	VGH 190/3 LP-gas
	24-8142	burner nozzle	1,42 mm ø	VGH 220/3 LP-gas
17	98-0424	packing ring		
18	04-1684	burner		
19	12-6134	spring		
20	16-1207	inspection glass		
21	07-0482	cover plate		VGH 130/3 natural gas, LP-gas
22	23-5715	screw		
23	04-2961	pilot burner		with pieces 24, 26, 27
23a	07-0489	cover plate		for pilot burner LP-gas
24	11-9105	screw		
25	07-0334	screw		
26	09-0668	ignition electrode		
27	11-9104	screw		

**Vaillant gas fired storage water heater
 VGH 130/3 Z, 160/3 Z, 190/3 Z, 220/3 Z**

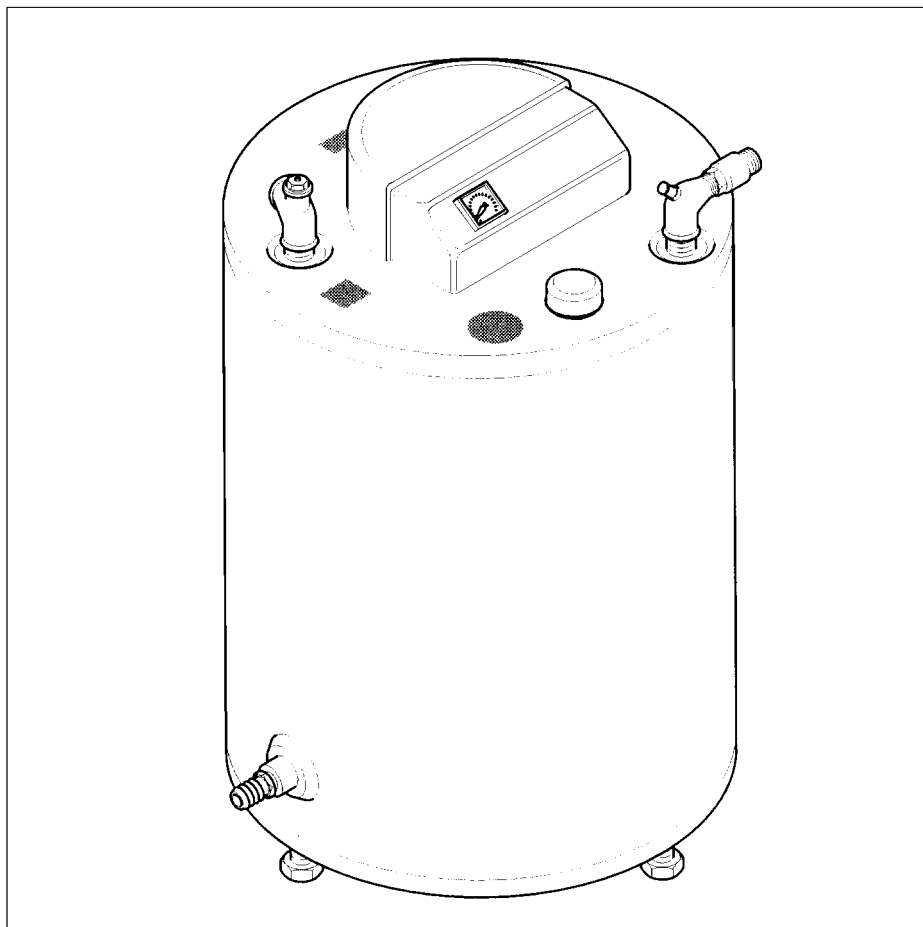


614-00-60-004

**Vaillant gas fired storage water heater
 VGH 130/3 Z, 160/3 Z, 190/3 Z, 220/3 Z**

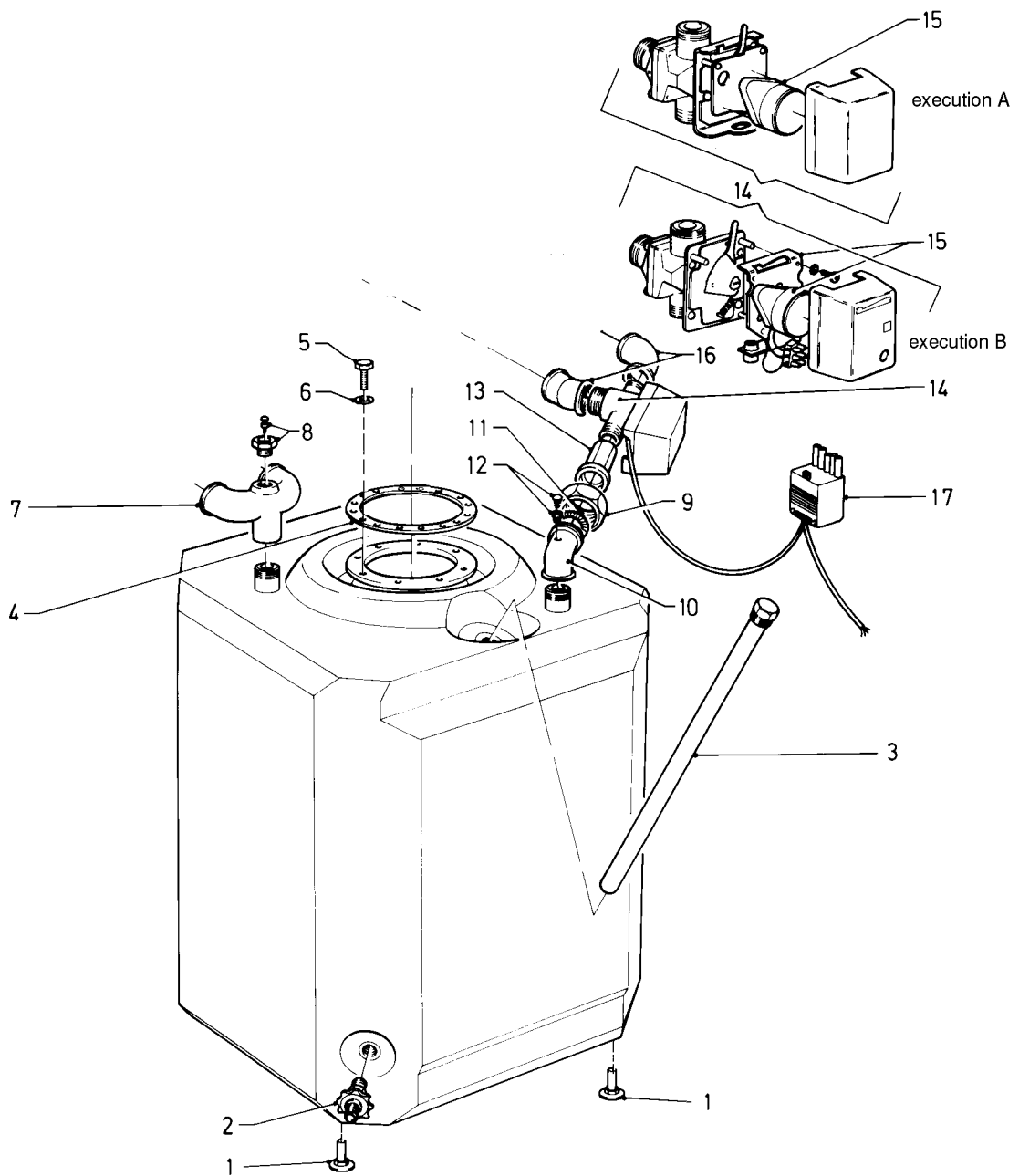
Pict. No.	Article-No.	Part	Indic.	Type, Remarks
28	04-2882	pilot burner nozzle	0,35 mm ø	natural gas
	04-2881	pilot burner nozzle	0,20 mm ø	LP-gas
29	04-3951	pilot burner tube		
30	17-1174	thermo-couple		
31	07-2355	cap		
32	08-8624	screw		
33	07-1880	cover		VGH 130/3 - 190/3 without cleaning flange, till 03.91
	07-1880	cover		VGH 130/3 - 220/3 with cleaning flange, from 03.91
	07-1899	cover		VGH 220/3 without cleaning flange, till 03.91
35	13-9419	plug		inspection hole VGH 220/3
36	98-0936	packingring		VGH 220/3
37	08-9317	flange		VGH 220/3
38	08-9323	flange		VGH 220/3
39	28-4049	disc		VGH 220/3
40	11-6480	screw	M10X35mm	VGH 220/3
41	20-3841	cap		VGH 220/3
	07-6228	insolation		VGH 220/3, not shown

Vaillant unvented indirect hot water cylinder



	Page
Vaillant unvented indirect hot water cylinder VANTAGE VIHC 120	14 - 15
Vaillant unvented indirect hot water cylinder VANTAGE VIHC 120 Control panel	16 - 17
Vaillant unvented indirect hot water cylinder VANTAGE VIHC 120 Component and connection details	18 - 19
Vaillant unvented indirect hot water cylinder VANTAGE VIHC 120 Flange assembly, hot water outlet	20 - 21
Vaillant unvented indirect hot water cylinder VANTAGE 120	22 - 23
Vaillant unvented indirect hot water cylinder VANTAGE 150, 200	24 - 25

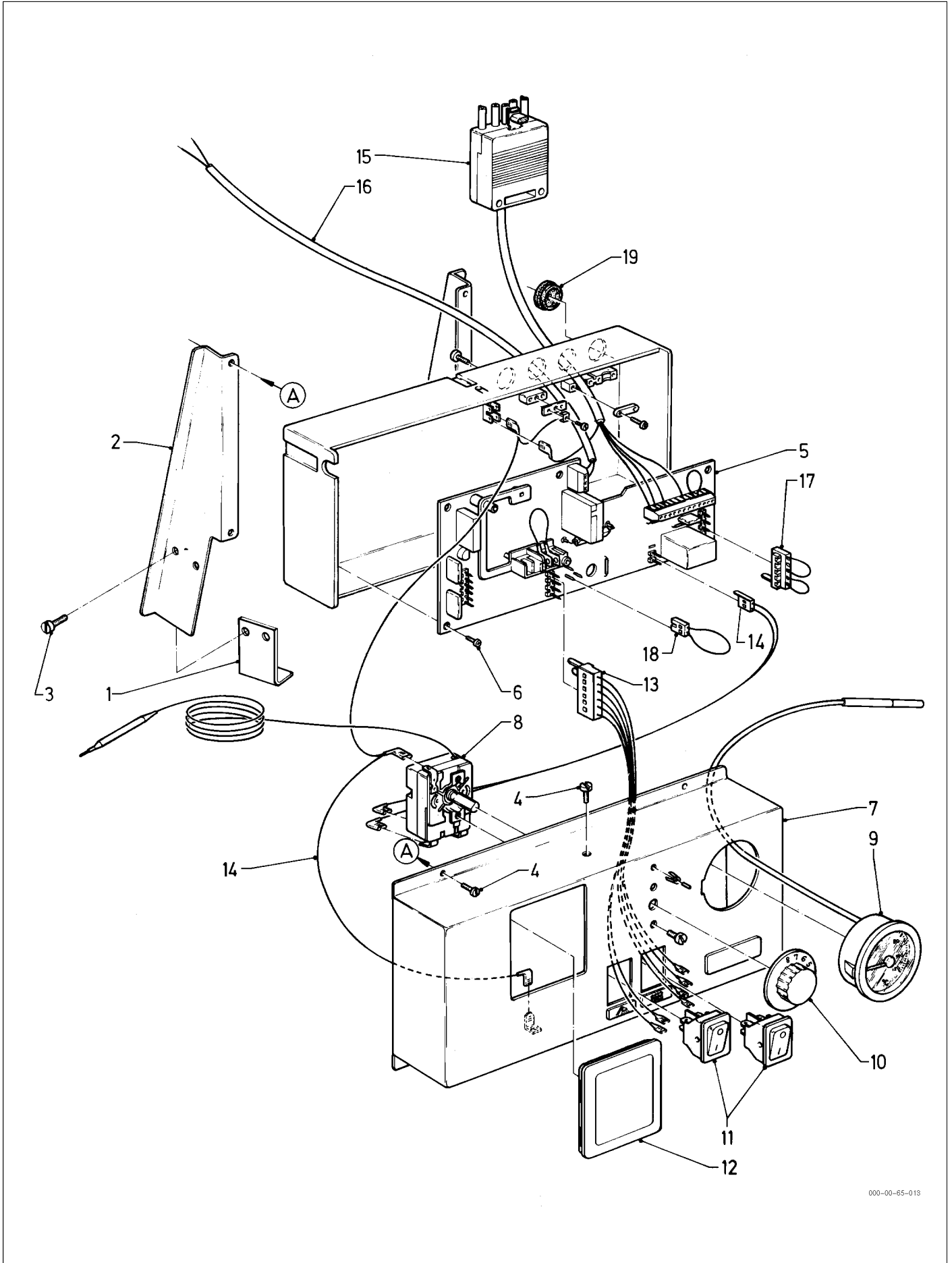
Vaillant unvented indirect hot water cylinder VANTAGE VIHC 120



**Vaillant unvented indirect hot water cylinder
VANTAGE VIHC 120**

Pict. No.	Article-No.	Part	Indic.	Type, Remarks
1	45-9886	adjusting screw		
2	08-2205	drain valve		
3	28-5847	protection anode		
4	98-0910	flange gasket		
5	11-6480	screw		M 10 X 35 mm
6	28-4049	disc		M 10
7	08-0408	flow tee piece		
8	17-7507	air vent		
9	16-0029	sleeve nut		
10	08-5114	union connection		
11	98-0325	sealing ring		
12	06-0051	air vent		
13	08-5014	connector		1" X 40 mm
14	05-0714	3 port valve		with part 28
15	25-5008	motor		execution A, screwed to base plate
	25-5018	motor		execution B, riveted to base plate
16	16-3489	elbow		
17	25-5907	cable tree		

Vaillant unvented indirect hot water cylinder
VANTAGE VIHC 120
Control panel

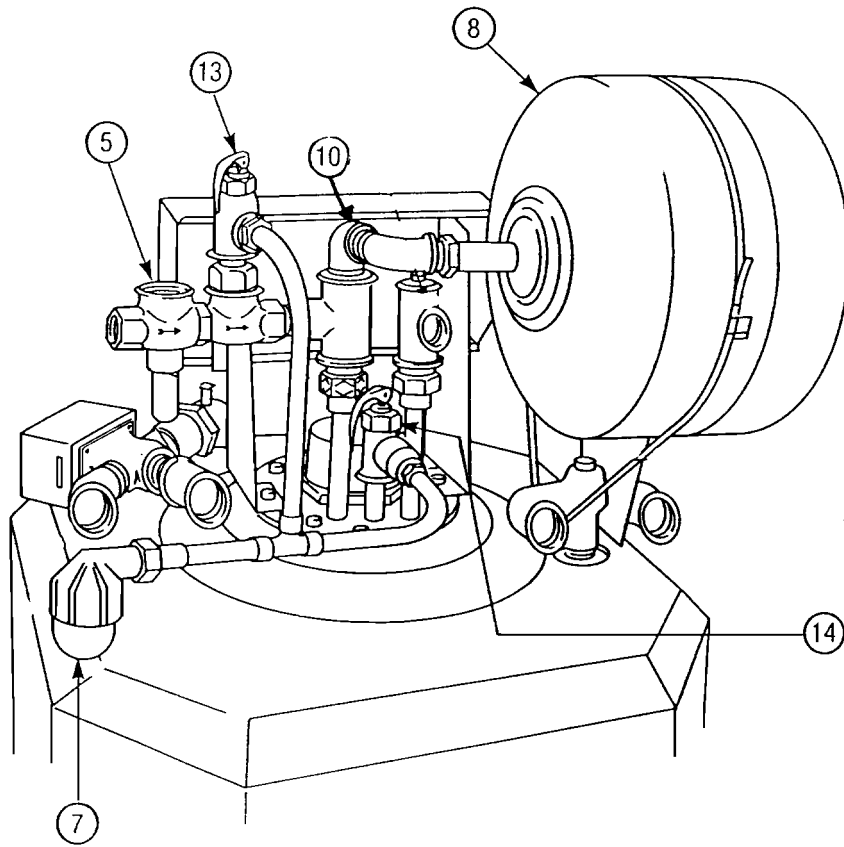
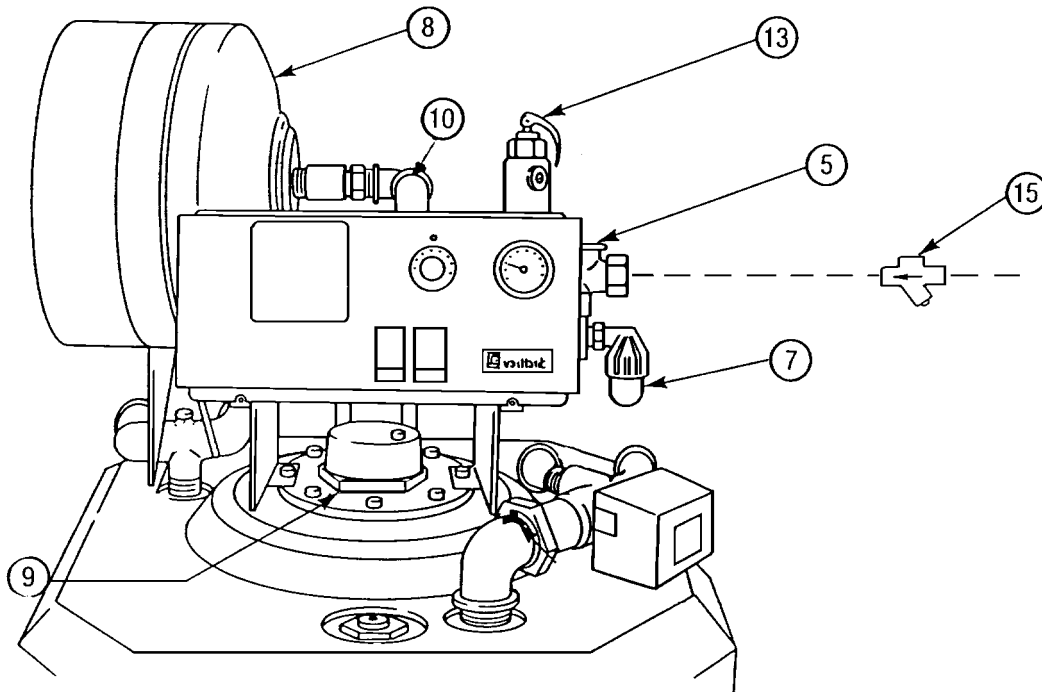


000-00-65-013

**Vaillant unvented indirect hot water cylinder
VANTAGE VIHC 120
Control panel**

Pict. No.	Article-No.	Part	Indic.	Type, Remarks
4	06-0018	screw		
5	13-0327	circuit board		
6	23-5748	screw		
7	07-5485	control box housing		
8	10-1804	DWH thermostat		
9	10-1534	temperature gauge		
10	14-3950	thermostat knob		
11	25-1777	switch		
12	20-1623	cover plate		
13	25-0763	cable tree		
14	25-0762	cable tree		
15	25-5908	cable tree		
16	08-4471	connection cable		
17	25-2780	link plug		
18	25-0790	link plug		
19	12-0065	grommet		

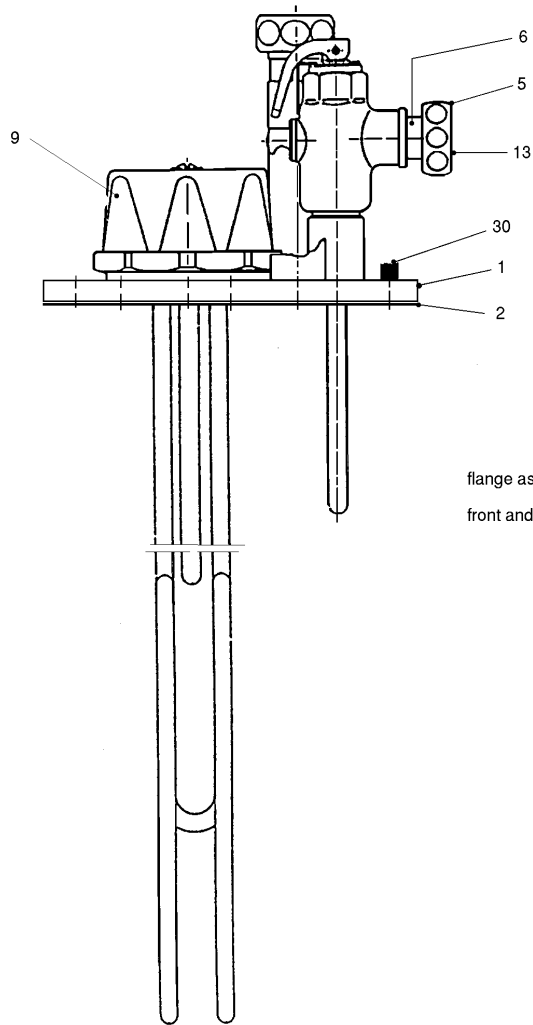
Vaillant unvented indirect hot water cylinder
VANTAGE VIHC 120
Component and connection details



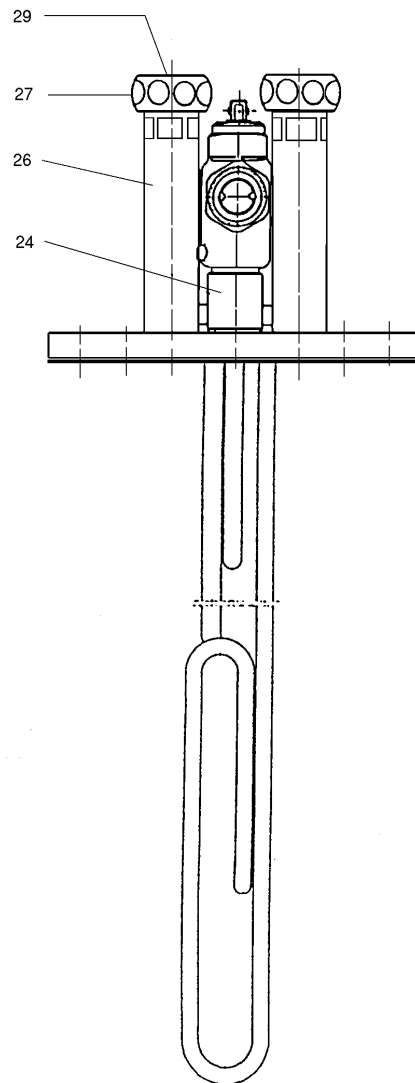
Vaillant unvented indirect hot water cylinder
VANTAGE VIHC 120
Component and connection details

Pict. No.	Article-No.	Part	Indic.	Type, Remarks
5	01-9330	cu75 control valve type A		with lever PRV
	01-9375	cu75 control valve type B		with blue twist cap PRV
7	08-9370	discharge pipework type A	1)	with tundish 13-7508
		discharge pipework type B	1)	with tundish 13-7508
				1) identificacion of item: The connection between the T & P valve and expansion relief valve to the discharge pipework has a: Type A 3/4" flat washer union connection. Type B 15 mm compression fitting connection.
8	18-9307	expansion vessel		
9	06-4505	immersion heater	UI 9TC	supplied with gasket 98-9320
10	01-9318	elbow		3/4" MF (order as a pair)
	01-9319	adaptor		3/4" MF (order as a pair)
13	01-9325	expansion valve	6 bar	type A with lever
	01-9340	expansion valve	6 bar	type B with blue twist cap
14	01-9311	temperature and pressure relief valve	7 bar	type A with flat washer union connection
	01-9335	temperature and pressure relief valve	7 bar	type B with compression fitting connection
15	01-9320	line strainer		

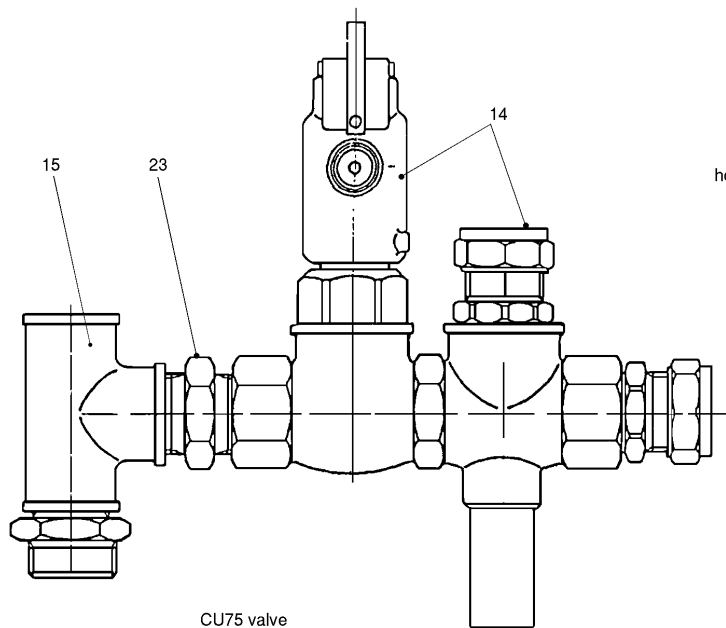
**Vaillant unvented indirect hot water cylinder
VANTAGE VIHC 120
Flange assembly, hot water outlet**



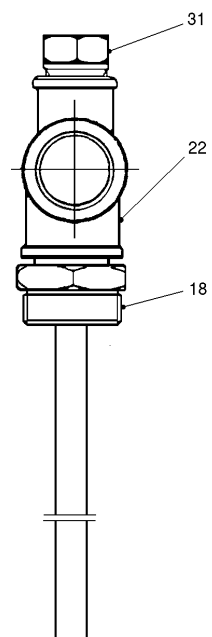
flange assembly
front and side views



hot water outlet



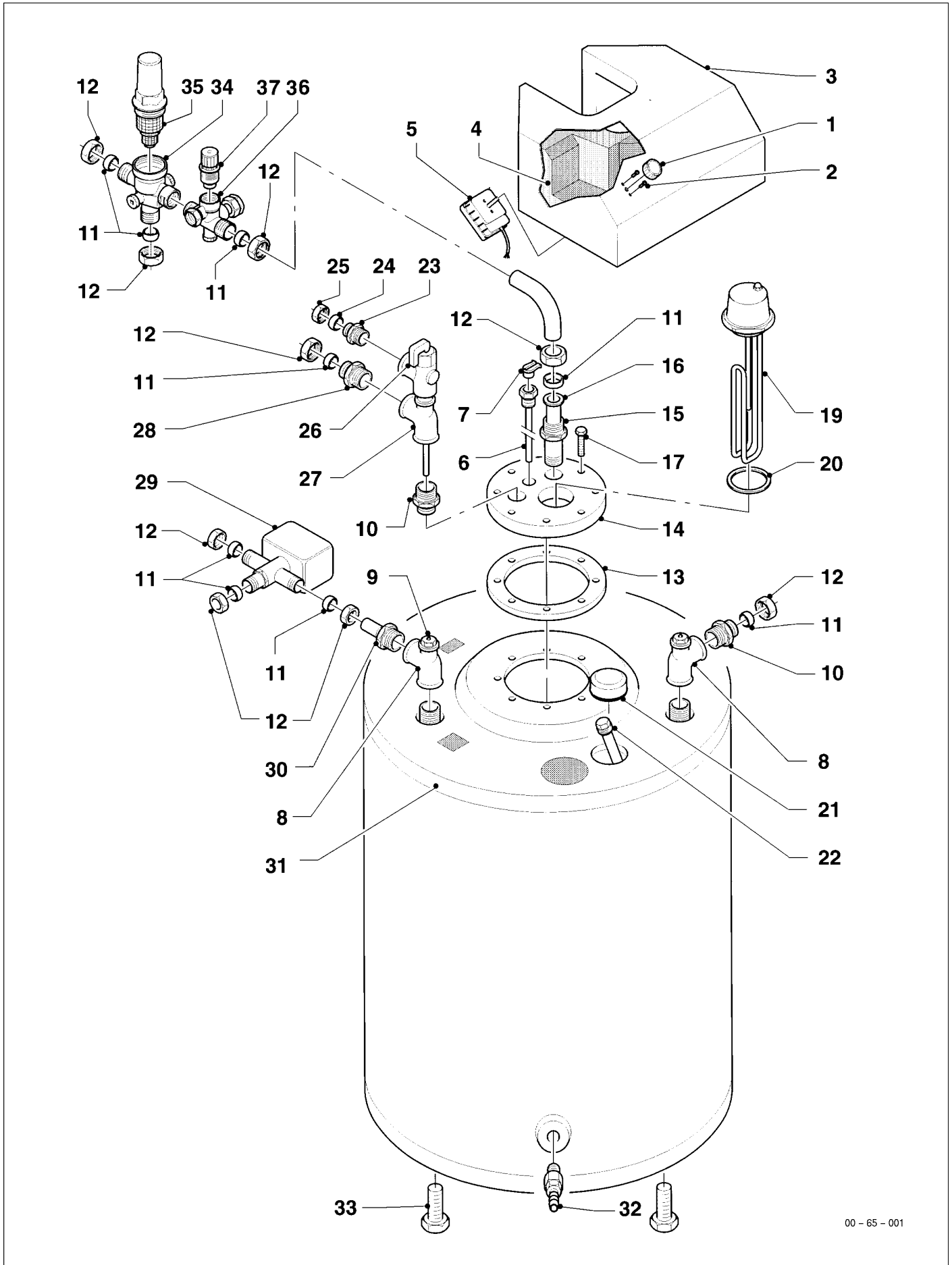
CU75 valve



**Vaillant unvented indirect hot water cylinder
VANTAGE VIHC 120
Flange assembly, hot water outlet**

Pict. No.	Article-No.	Part	Indic.	Type, Remarks
-	08-9375	flange complete		with parts 1, 5-15
1	08-9350	flange		
2	98-0910	flange gasket		
5	01-9312	union nut		3/4"
6	01-9313	union piece		3/4"
9	06-4505	immersion heater	UI 9TC	supplied with gasket 98-9320 (including energy cut out device)
13	98-9321	sealing ring		3/4"
14	-	cu75 control valve		see page 7
15	01-9316	equal tee		3/4"
18	01-9317	union nipple		1" X 3/4"
22	01-9321	hot water outlet tee connection		
23	01-9315	nipple		3/4" for flat washer union connection
	01-9334	nipple		3/4" for compression fitting connection
24	01-9310	T & P adapter		
26	01-9314	upstand		
27	11-9305	union nut		1"
29	98-9322	sealing ring		1"
30	23-9350	flange allen bolt		
34	10-9310	thermostat pocket		
		the following pieces are not shown		
	20-9360	polystyrene insulation cap		
	28-9340	flange gasket aluminium washer		
	25-9302	immersion heater thermostat		
	25-9303	immersion heater energy cut out		
	19-1091	cold water inlet tube		
	08-9361	expansion vessel saddle bracket		
	08-9362	expansion vessel band clip		
	08-9310	expansion vessel adapter		
	13-7508	tundish		
	12-4850	thermostat phial retaining clip		
	98-9320	immersion heater gasket		

**Vaillant unvented indirect hot water cylinder
VANTAGE 120**



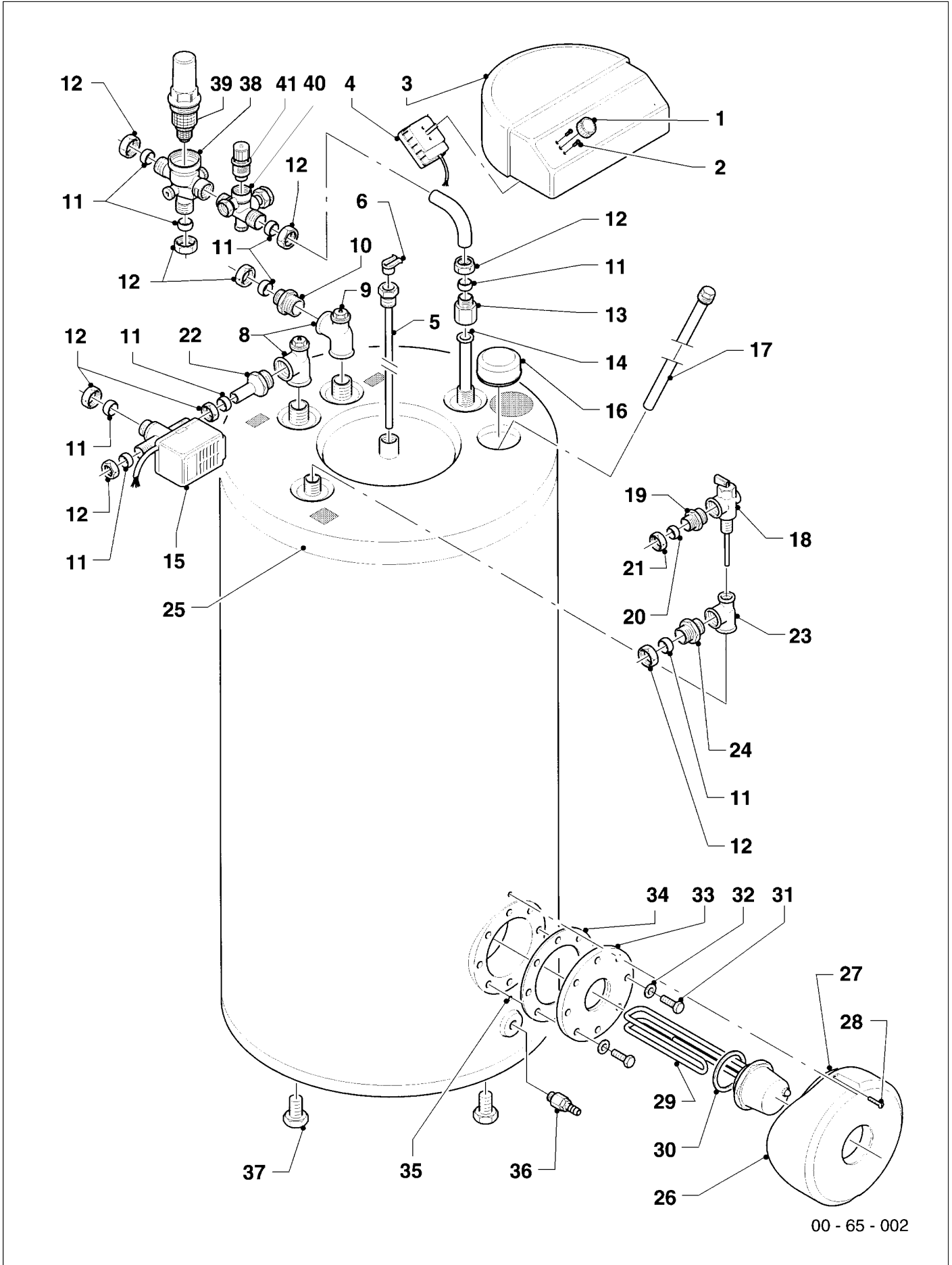
00 - 65 - 001

Vaillant unvented indirect hot water cylinder

VANTAGE 120

Pict. No.	Article-No.	Part	Indic.	Type, Remarks
1	11-4261	thermostat knob		
2	06-0009	screw	M 4 X 12 mm	
3	07-2385	cover plate		
4	20-3887	insulation cap		
5	10-1819	thermostat		
6	06-0520	thermostat pocket		
7	18-3563	thermostat retaining clip		
8	49-2109	tee-piece		Rp 1 x Rp 1 x Rp 1/2
9	17-7507	de-aeration screw		
10	13-6382	union nipple		
11	98-0603	packingring	ø 22 mm	
12	11-1244	sleeve nut		
13	98-0910	packingring		
14	08-9386	flange		
15	08-3366	connection tube		
16	19-2985	cold water inlet dip tube		
17	49-0172	screw	M 10 X 35 mm	
19	06-4505	immersion heater	UI 9TC	with part 20 (including energy cut out device)
20	98-9320	immersion heater gasket		
21	20-3842	cap		for corrosion protection anode
22	28-5859	corrosion protection anode		
23	08-3408	union nipple		with parts 24, 25
24	98-0410	packingring	ø 15 mm	
25	11-1328	sleeve nut		
26	01-4610	temperature/ pressure relief valve	9° probe	with parts 23, 24, 25
27	12-9240	tee-piece		Rp 3/4 X Rp 3/4 X Rp 1/2 (red brass)
28	13-6384	union nut		
29	20-3930	3 port valve		with parts 11, 12
30	08-4968	connection tube		
31	07-6091	cover plate		
32	08-2205	drain valve		
33	07-1931	adjustable screw feet		
34	14-9108	pressure reducing valve	0,5-6 bar	with part 35
35	14-9109	pressure reducing valve inset	0,5-6 bar	
36	15-0228	safety valve	6 bar	with part 37
37	19-0709	safety valve inset	6 bar	
-	18-9312	expansion vessel	12 litre	not shown
-	13-7508	tundish		not shown

**Vaillant unvented indirect hot water cylinder
VANTAGE 150, 200**



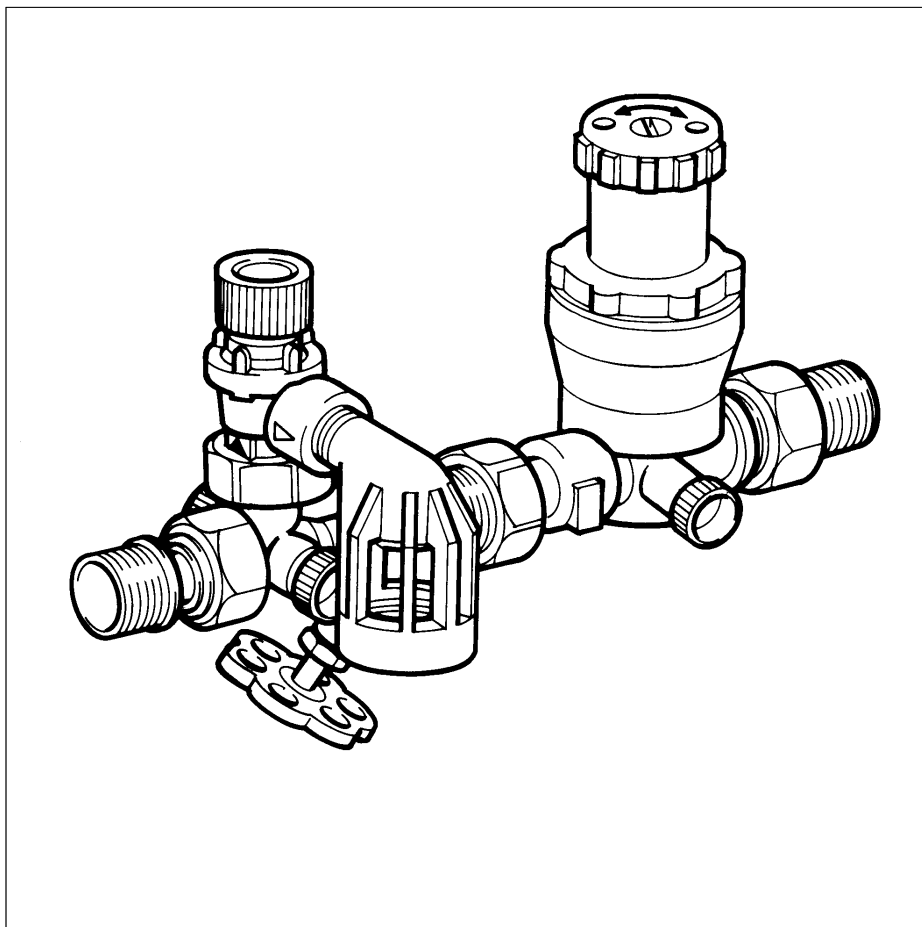
00 - 65 - 002

Vaillant unvented indirect hot water cylinder

VANTAGE 150, 200

Pict. No.	Article-No.	Part	Indic.	Type, Remarks
1	11-4261	thermostat knob		
2	06-0009	screw	M 4 x 12 mm	
3	17-8463	cover plate		
4	10-1819	thermostat		
5	06-0627	thermostat pocket		
6	13-7293	thermostat retaining clip		
8	49-2109	tee-piece		Rp 1 X Rp 1 X Rp 1/2
9	17-7507	de-aeration screw		
10	13-6382	union nipple		
11	98-0603	packingring	ø 22 mm	
12	11-1244	sleeve nut		
13	13-6380	union nipple		
14	19-3039	cold water inlet dip tube	850 mm	VIHC 150
	19-3040	cold water inlet dip tube	1100 mm	VIHC 200
15	20-3930	3 port valve		with parts 11, 12
16	20-3842	cap		
17	28-5863	corrosion protection anode		VIHC 150
	28-5864	corrosion protection anode		VIHC 200
18	01-4610	temperature/ pressure relief valve	9° probe	with parts 19, 20, 21
19	08-3408	union nipple		
20	98-0410	packingring	ø 15 mm	
21	11-1328	sleeve nut		
22	08-4968	connection tube		
23	12-9240	tee-piece		Rp 3/4 X Rp 3/4 X Rp 1/2 (red brass)
24	13-6384	union nipple		
25	07-6113	cover plate		
26	20-3885	cover		
27	07-6388	insulation cap		
28	13-0005	screw		
29	06-4506	immersion heater	LUIITC	with part 30 (including energy cut out device)
30	98-9320	immersion heater gasket		
31	11-6480	screw	M 10 X 35 mm	
33	08-9387	flange		
34	98-0910	flange gasket		
	16-4340	distance ring		for flange gasket, not shown
35	15-8213	nut		
36	08-2205	drain valve		
37	07-1931	adjusting screw		
38	14-9108	pressure reducing valve	0,5-6 bar	with part 39
39	14-9109	pressure reducing valve inset	0,5-6 bar	
40	15-0228	safety valve	6 bar	with part 41
41	19-0709	safety valve inset	6 bar	
-	18-9312	expansion vessel	12 litre	VIH 150 (not shown)
-	18-9318	expansion vessel	18 litre	VIH 200 (not shown)
-	13-7508	tundish		not shown

Vaillant safety assembly



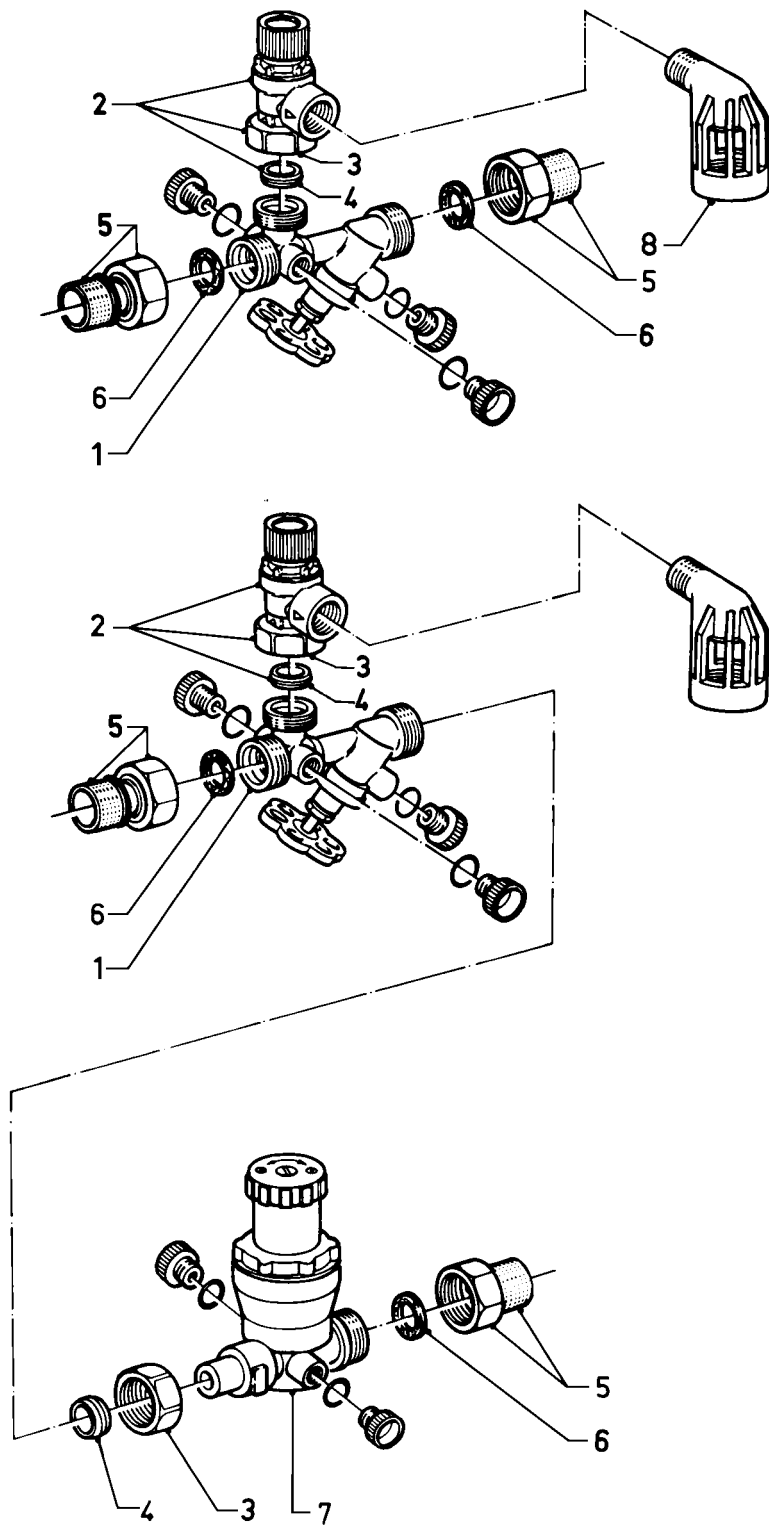
Vaillant hot water storage heater
Safety assembly acc.-no. 695, 696
Vaillant hot water storage heater
Safety assembly acc.-no. 660, 661

Page

28 - 29

30 - 31

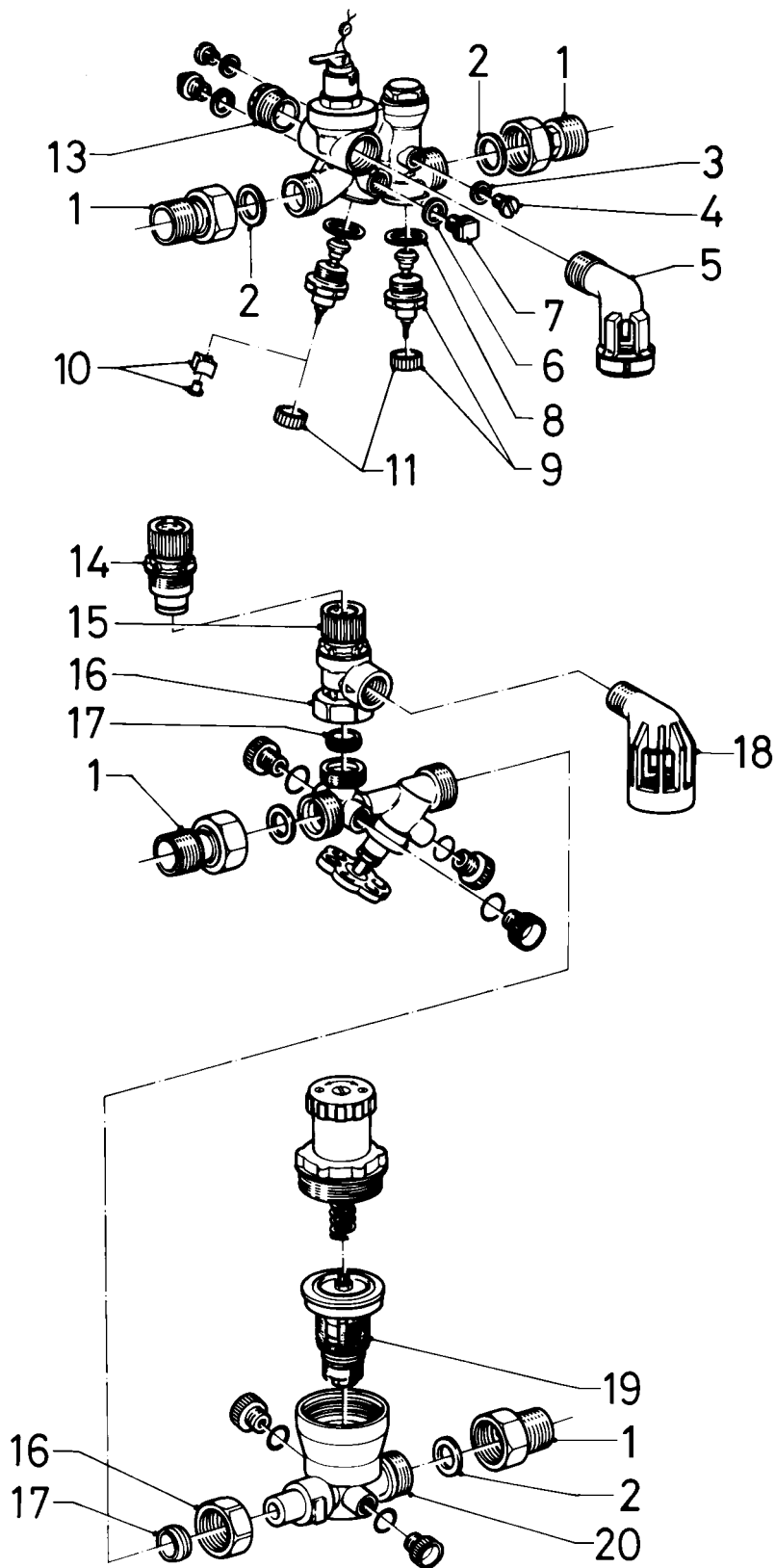
Vaillant hot water storage heater
Safety assembly acc.-no. 695, 696



**Vaillant hot water storage heater
Safety assembly acc.-no. 695, 696**

Pict. No.	Article-No.	Part	Indic.	Type, Remarks
1	-	safety assembly, cpl.		see acc.-no. 660, 661 in valid appliance list
2	19-0707	safety valve		6 bar
3	11-1369	sleeve nut		
4	98-0438	packingring		
5	08-1625	connection piece		
6	98-0151	packingring		
7	14-9104	pressure reducing valve		with parts 3, 4
8	13-7508	tundish		
				<p>Notice acc.-no. 660 for pressure under 6 Bar acc.-no. 661 for pressure over 6 Bar</p>

Vaillant hot water storage heater
Safety assembly acc.-no. 660, 661



Vaillant hot water storage heater Safety assembly acc.-no. 660, 661

Pict. No.	Article-No.	Part	Indic.	Type, Remarks
1	08-1625	safety assembly, cpl.		see acc.-no. 660, 661 in valid appliance list
2	98-0197	connection piece		R 3/4
3	98-0223	packingring		
4	01-0050	packingring		
5	13-7508	screw		
6	-	tundish		single delivery not possible
7	13-7291	packingring		
8	13-7291	plug		
9	98-1605	packingring		
10	95-0057	upper part of valve		
11	-	knob with screw		as shown no longer available, please order part-no. 95-0057 (see pict.-no. 9)
12	14-3981	knob		
13	13-7298	plug		
14	19-0709	safety valve inset		6 bar
15	19-0707	safety valve		6 bar, with parts 16, 17
16	11-1228	sleeve nut		R 1/2
17	11-1369	sleeve nut		R 3/4
18	98-0438	packingring		
19	13-7513	tundish		
20	14-9106	pressure reducing valve inset		
	-	valve case		single delivery not possible, available with acc.-no 661
				Notice
				acc.-no 660 for pressure under 6 bar
				acc.-no. 661 for pressure over 6 bar