

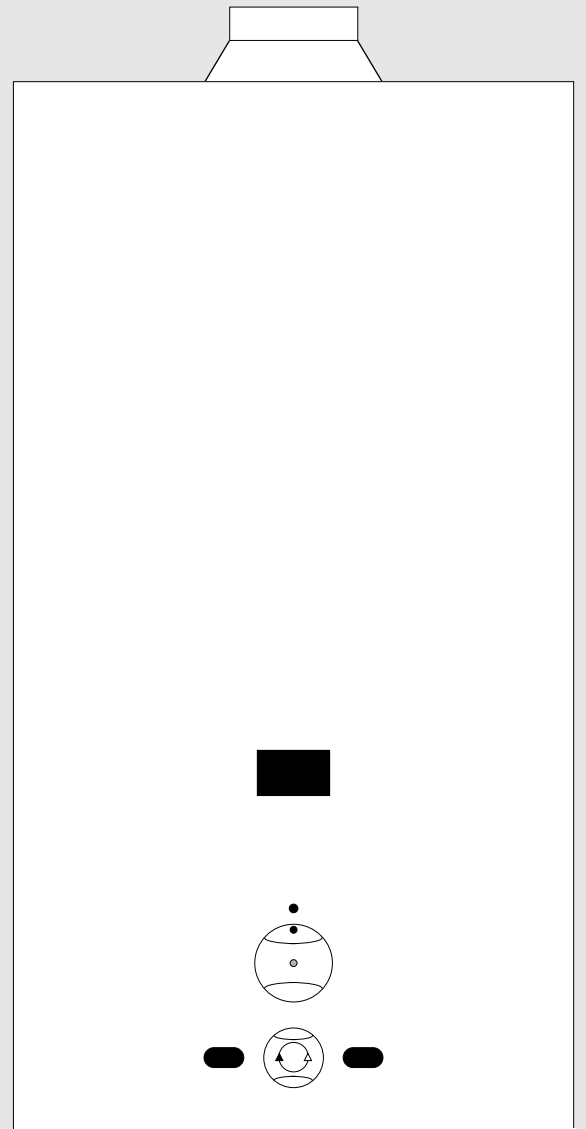
VAILLANT SPARE PART CATALOGUE

Instantaneous gas water heaters

MAG 125/7-8, 7.1

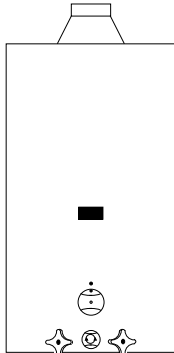
MAG 250-400/7-8

MAG-sine 250-325/7-8

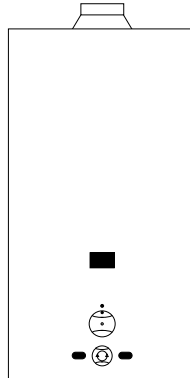


8026 72 GB 09/96

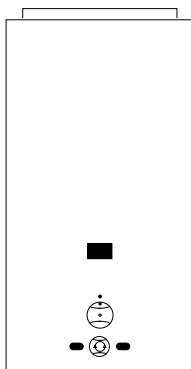
View of appliances



MAG 125/7
 MAG 125/7.1
 MAG 125/7 SO 17
 MAG 125/7 SO 25
 MAG 125/8 S



MAG 250/7-8
 MAG 250/7 W
 MAG 325/7-8
 MAG 325/7 W
 MAG 400/7-8
 MAG 400/7 W
 MAG 250-325/8 S

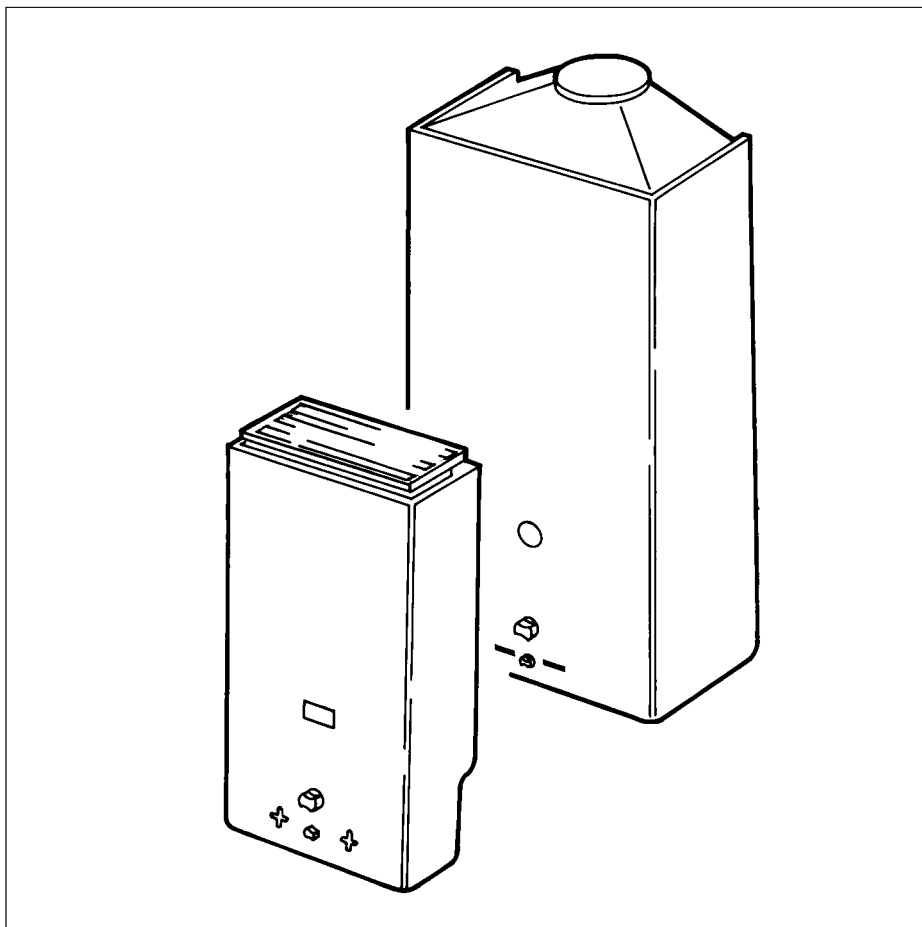


MAG-sine 250/7-8
 MAG-sine 250/7 W
 MAG-sine 325/7-8
 MAG-sine 325/7 W
 MAG-sine 250-325/8 S

Content

	Page
General view sheets	3 - 6
Main component 01 Water valve	7 - 19
Main component 02 Gas valve	21 - 25
Main component 03 Gas quantity governor, Gas regulator, Connection piece	27 - 29
Main component 04 Burner, pilotburner	31 - 47
Main component 06 Heat exchanger	49 - 51
Main component 07 Casing parts	53 - 61
Main component 08 Connection parts, Acc.-connection parts	63 - 69

General view sheets



MAG 125/7-8 (incl. N + SO 17 + SO 25), MAG 125/7.1

Page

4

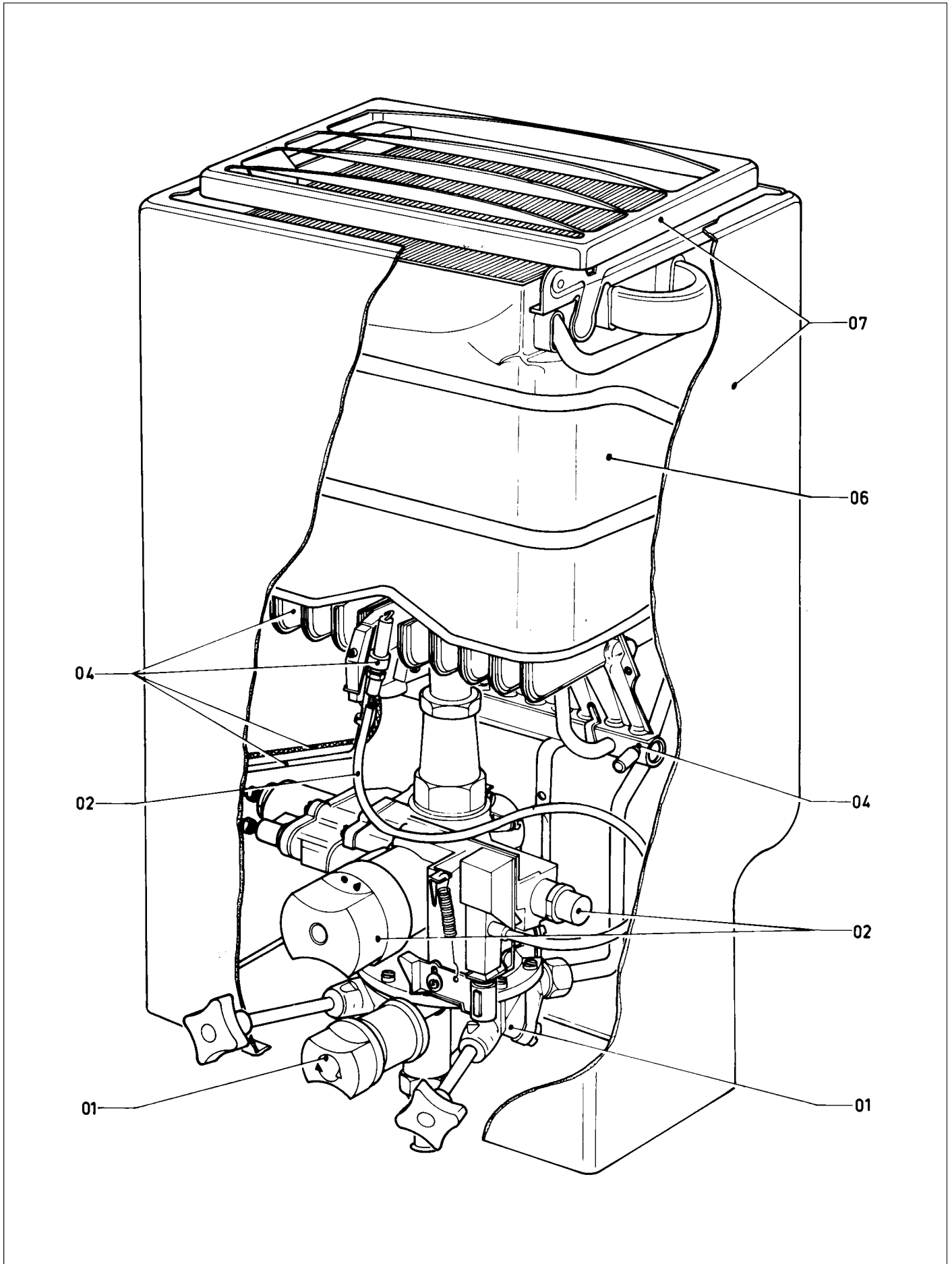
MAG 250-400/7-8 (incl. W)

5

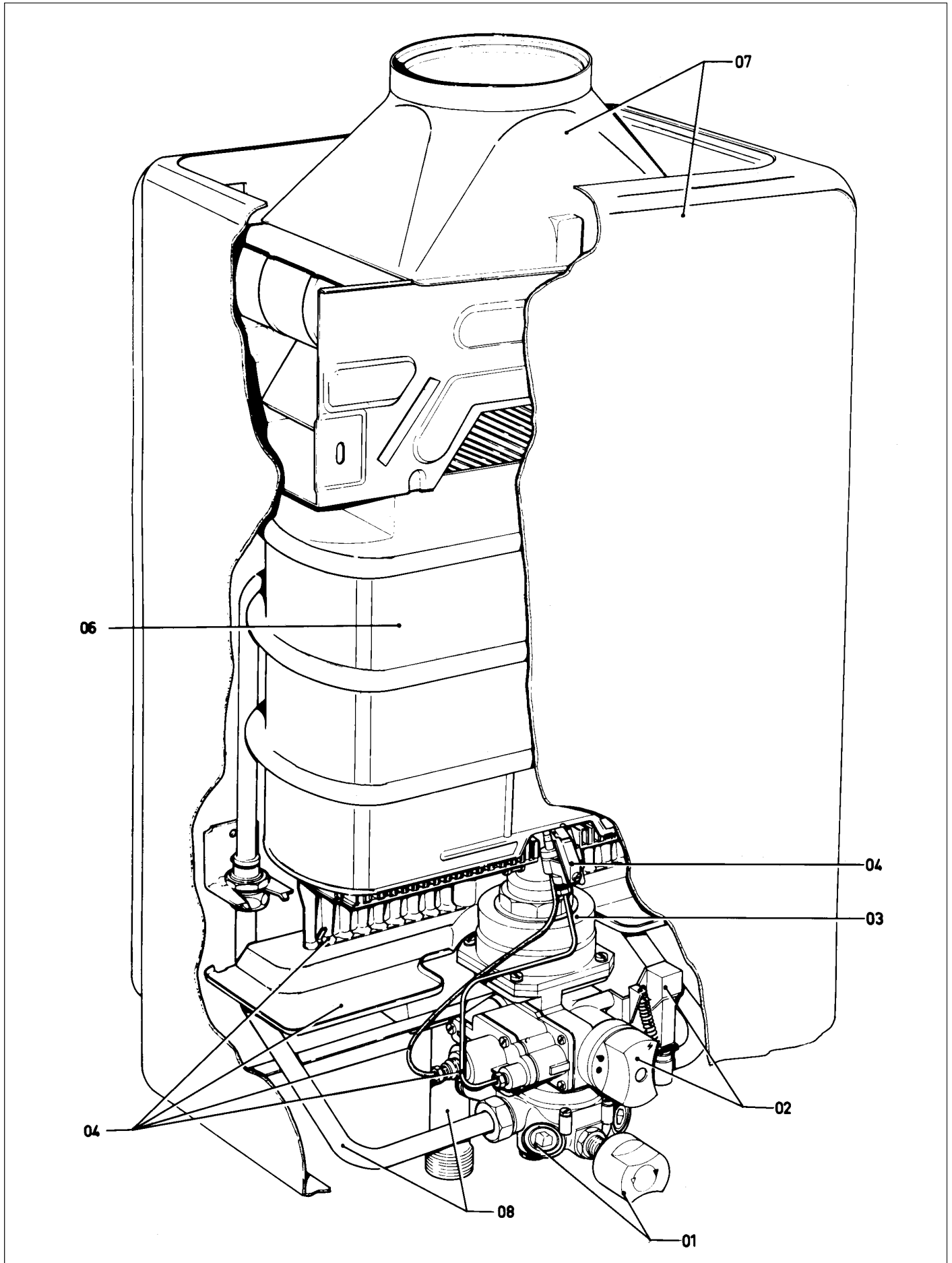
MAG-sine 250-325/7-8 (incl. W)

6

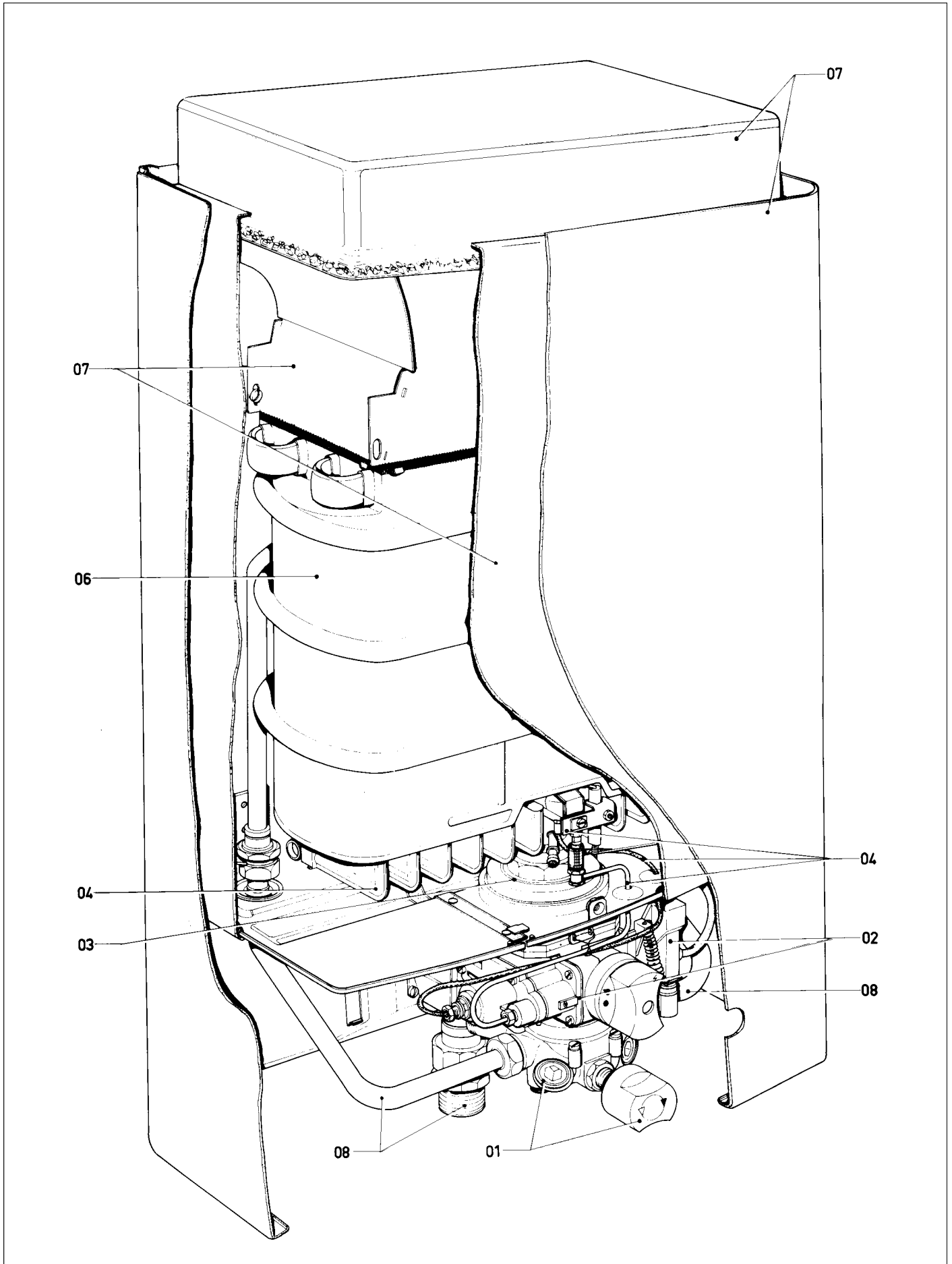
General view sheets MAG 125/7-8 (incl. N + SO 17 + SO 25), MAG 125/7.1



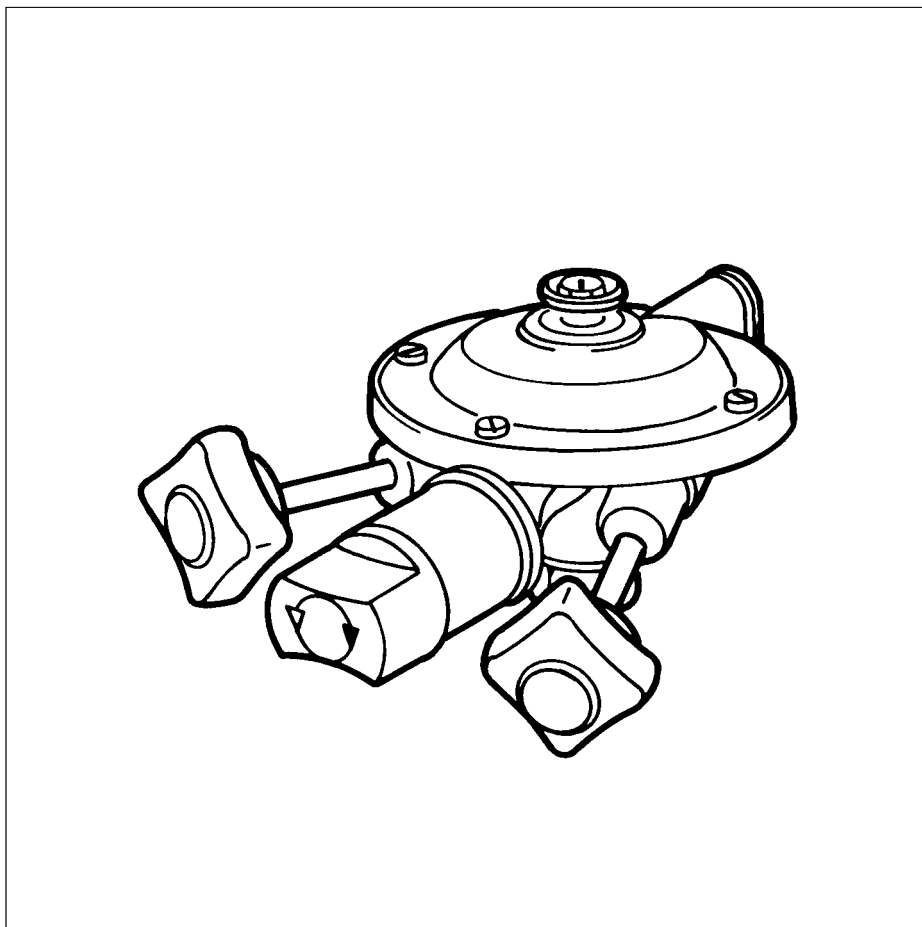
General view sheets MAG 250-400/7-8 (incl. W)



General view sheets MAG-sine 250-325/7-8 (incl. W)

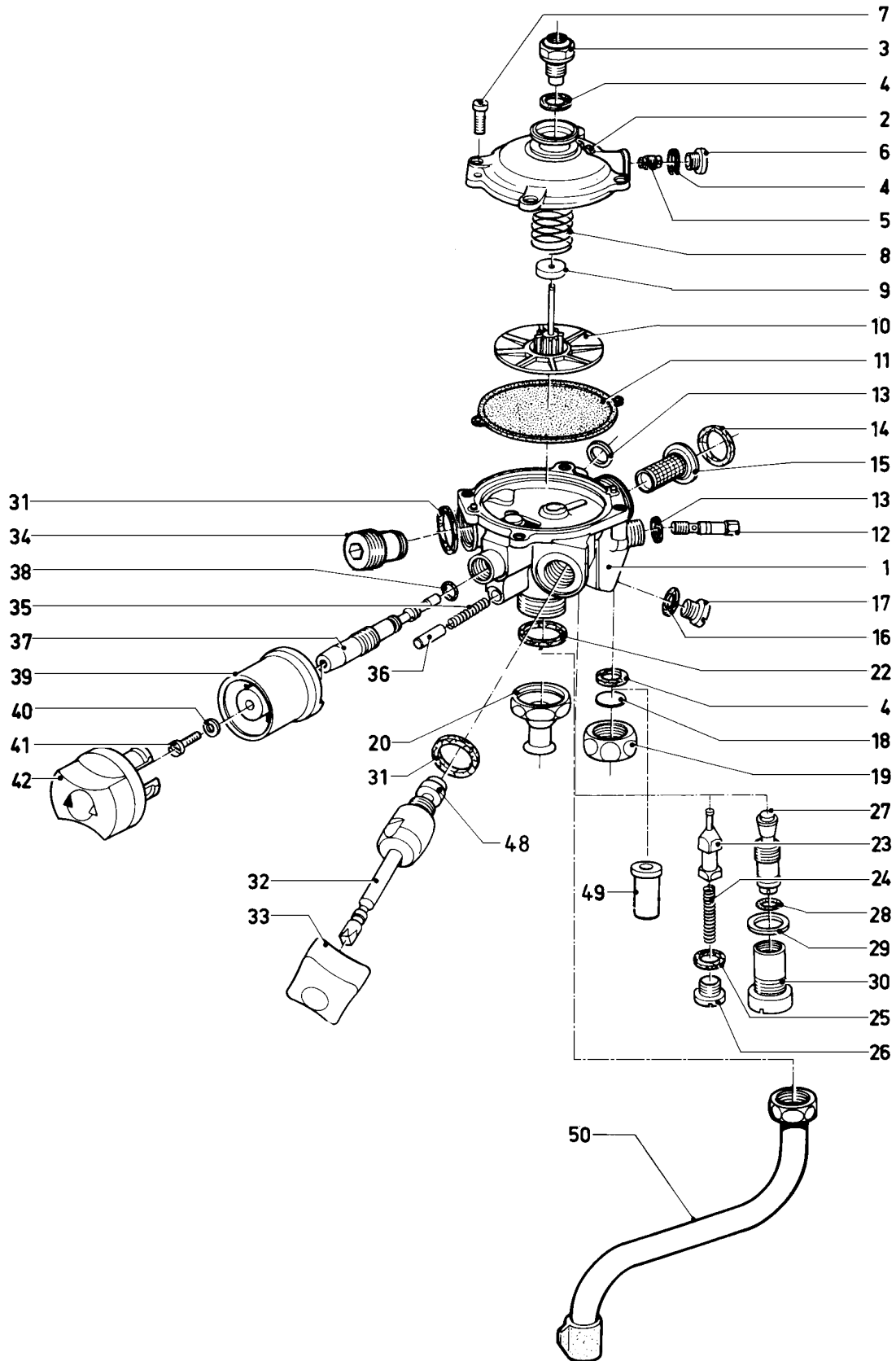


Main component 01



	Page
Water valve MAG 125/7-8. 7.1 (incl. N)	8 - 11
Water valve MAG 250-325/7-8 (incl. sine), MAG 400/7-8	12 - 13
Water valve MAG 250-325/7-8 N (incl. sine)	14 - 15
Water valve MAG 250-325/7 W (incl. sine), 400/7 W with water quantity limiter	16 - 17
Water valve MAG 250-325/7 W (incl. sine), 400/7 W with water quantity regulator	18 - 19

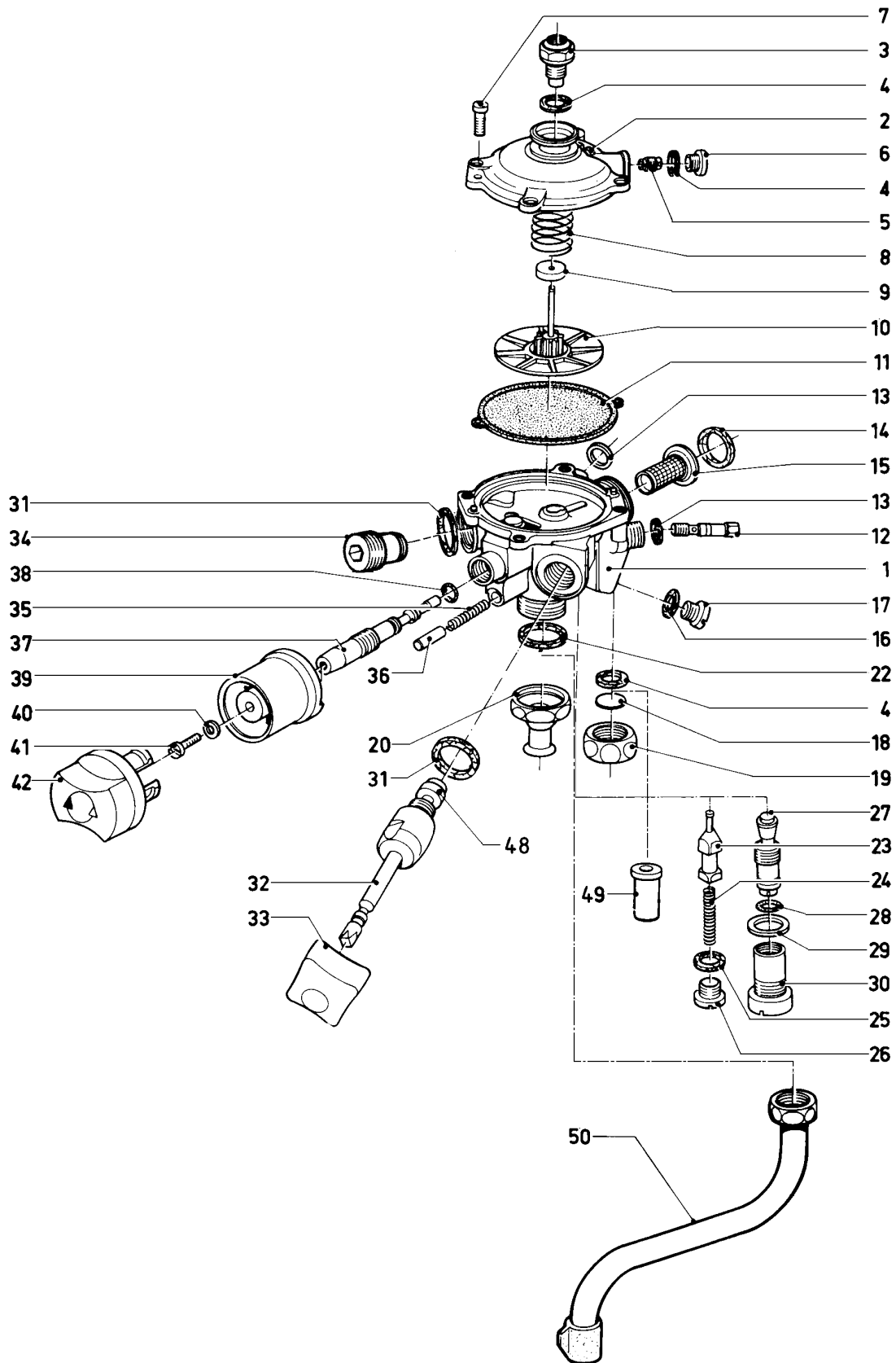
Main Component 01 Water valve MAG 125/7-8, 7.1 (incl. N)



Main Component 01 Water valve MAG 125/7-8, 7.1 (incl. N)

Pict. No.	Article-No.	Part	Indic.	Type, Remarks
				S = Towns gas, H = Natural gas, B = LP-gas, N = Low pressure
1	01-1165	water valve		A 125/7-8 S,H } supplied with parts 2-8,10-12,15-26,31-33, B 125/7 B } 35-42 C 125/7-8 A S,H } supplied with parts 2-8,10-12,15-17,23-26, D 125/7 A B } 34-42 E 125/7 N S,H,B } supplied with parts 2-7,9-12,15-22,27-33, } 35-42 F 125/7 AN S,H,B } supplied with parts 2-7,9-12,15-17,27-30, } 35-42
	01-1208	water valve		
	01-1197	water valve		
	01-1186	water valve		
	01-1175	water valve		
	01-1176	water valve		
2	01-3034	top section		supplied with parts 3-6
3	01-2156	stuffing box		plastic insert
4	98-0185	packingring		
5	01-0216	slow ignition valve		
6	01-0050	screw		
7	01-0003	diaphragm screw		
8	01-0009	spring		for type A-D
9	01-0047	distance ring		for type E,F (low pressure)
10	01-0006	diaphragm disc		
11	01-0320	diaphragm		
12	01-2806	venturi	Ø 2,12	for type A,C
	01-0013	venturi	Ø 1,88	for type B,D
	01-0026	venturi	Ø 2,80	for type E,F
13	98-0185	packingring		
14	98-0197	Packingring		
15	01-0052	water filter		
16	98-0175	packingring		
17	01-0138	drain screw		
18	01-0141	disc		} only for type A,B,E
19	01-0144	sleeve nut		
20-21	21-0943	socket		
22	98-0186	packingring		
23-26	14-4016	water quantity regulator		for type A-D
27	01-0139	regulator		supplied with parts 28,30
28	98-0307	packingring		} for type E,F
29	98-0184	packingring		
30	-	supplied with part 01-0139		
31	98-0172	packingring		
32	01-2747	tap spindle set	set of 2	supplied with part 31
33	01-2008	handle set	set of 2	for type A,B,E (blue + red)
35	01-0085	spring		
34	10-9911	shut-off plug		

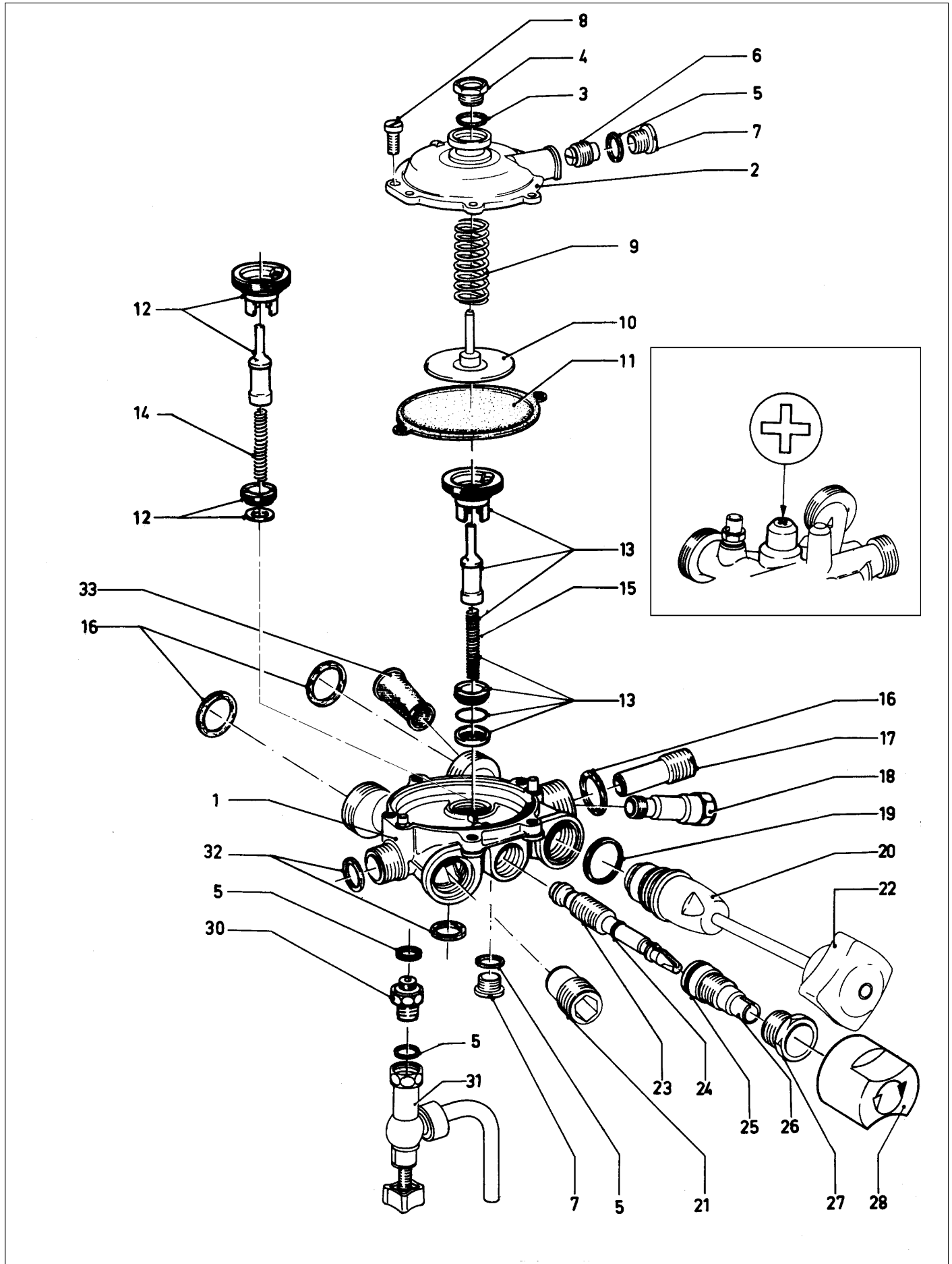
**Main Component 01 Water valve
MAG 125/7-8, 7.1 (incl. N)**



Main Component 01 Water valve MAG 125/7-8, 7.1 (incl. N)

Pict. No.	Article-No.	Part	Indic.	Type, Remarks
36	01-0083	spring bolt		
37	01-0094	spindle		for type A-D
	01-0957	spindle		for type E,F
38	98-0309	packingring		
39	25-0240	bush		
40	49-2112	disc		
41	06-0009	screw		
42	14-3940	knob		
48	98-0288	packingring		
49	95-0071	socket		
50	-	spout	250 mm	acc. 9060
	-	spout	250 mm	acc. 9061
	-	spout	500 mm	acc. 9062

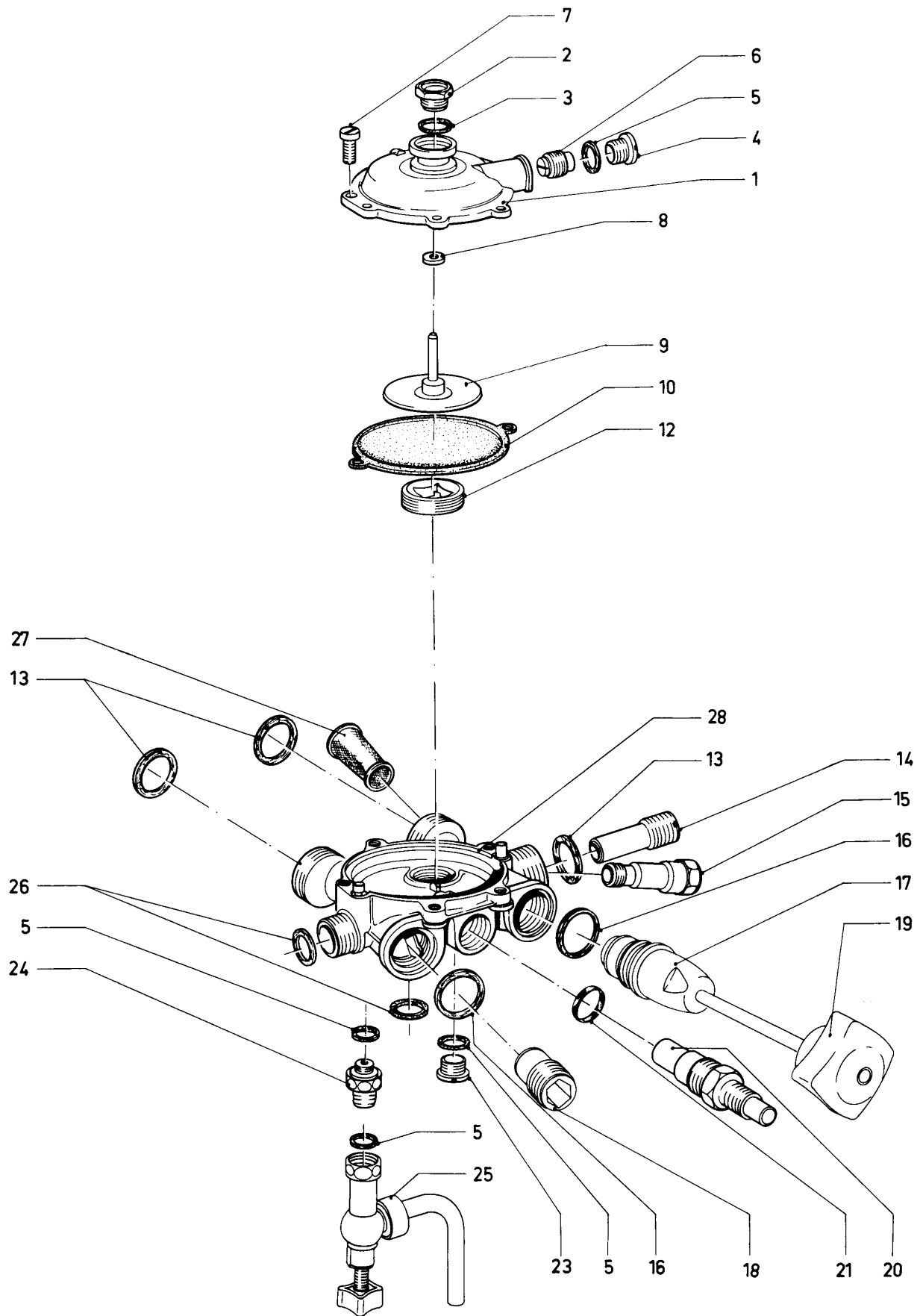
Main component 01 Water valve
MAG 250-325/7-8 (incl. sine), MAG 400/7-8



Main component 01 Water valve MAG 250-325/7-8 (incl. sine), MAG 400/7-8

Pict. No.	Article-No.	Part	Indic.	Type, Remarks
				H = Natural gas, B = LP-gas
1	01-1010	water valve		A 250/7-8 H
	01-1012	water valve		B 250/7 B
	01-1017	water valve		C 325/7-8 H
	01-1019	water valve		D 325/7 B
	01-1030	water valve		E 400/7-8 H,B
	01-1033	water valve		G sine 250/8 H,B
	01-1177	water valve		Hsine 325/8 H,B
				} supplied with parts 2-15,17-18, 23-27,29,33
				} supplied with parts 2-15,17-18, 23-27,29,30,33
2	01-3014	top section		supplied with parts 3,4
3	98-1506	packingring		
4	01-2156	stuffing box		plastic insert
5	98-0182	packingring		
6	01-0216	slow ignition valve		
7	01-0050	screw		
8	01-0003	diaphragm screw		
9	01-0009	spring		
10	01-0007	diaphragm disc		
11	01-0312	diaphragm		
12	01-2947	water quantity regulator		
13	01-2944	water quantity regulator	1)	
14	01-0081	spring		
15	10-4267	spring	1)	
				Note: 1) only for,water valves with distinctive mark " + " on underneath part!!
16	98-1511	packingring		
17	17-3077	bush		
18	01-0014	venturi	Ø 3,10	for type A,G
	01-0023	venturi	Ø 2,88	for type B
	01-0021	venturi	Ø 3,53	for type C,H
	01-0020	venturi	Ø 3,32	for type D
	01-0064	venturi	Ø 4,00	for type E
	01-0063	venturi	Ø 3,78	for type F
19	98-1605	packingring		
20	01-2748	top spindle set	set of 2	supplied with part 19
21	10-9913	shut-off plug		
22	01-2008	handle set	set of 2	blue + red
23	01-0088	temperature selector		for type A-D,G,H
	01-0090	temperature selector		for type E,F
				} supplied with parts 24-26
24	98-0309	packingring		
25	98-0310	packingring		
26	01-0143	guiding bush		
27	18-2654	screw		
28	14-3937	knob		
30	01-0118	drain nipple		
31	01-0120	drain valve		acc.-no. 434 } for type G,H
32	98-1508	packingring		
33	01-0053	water filter		

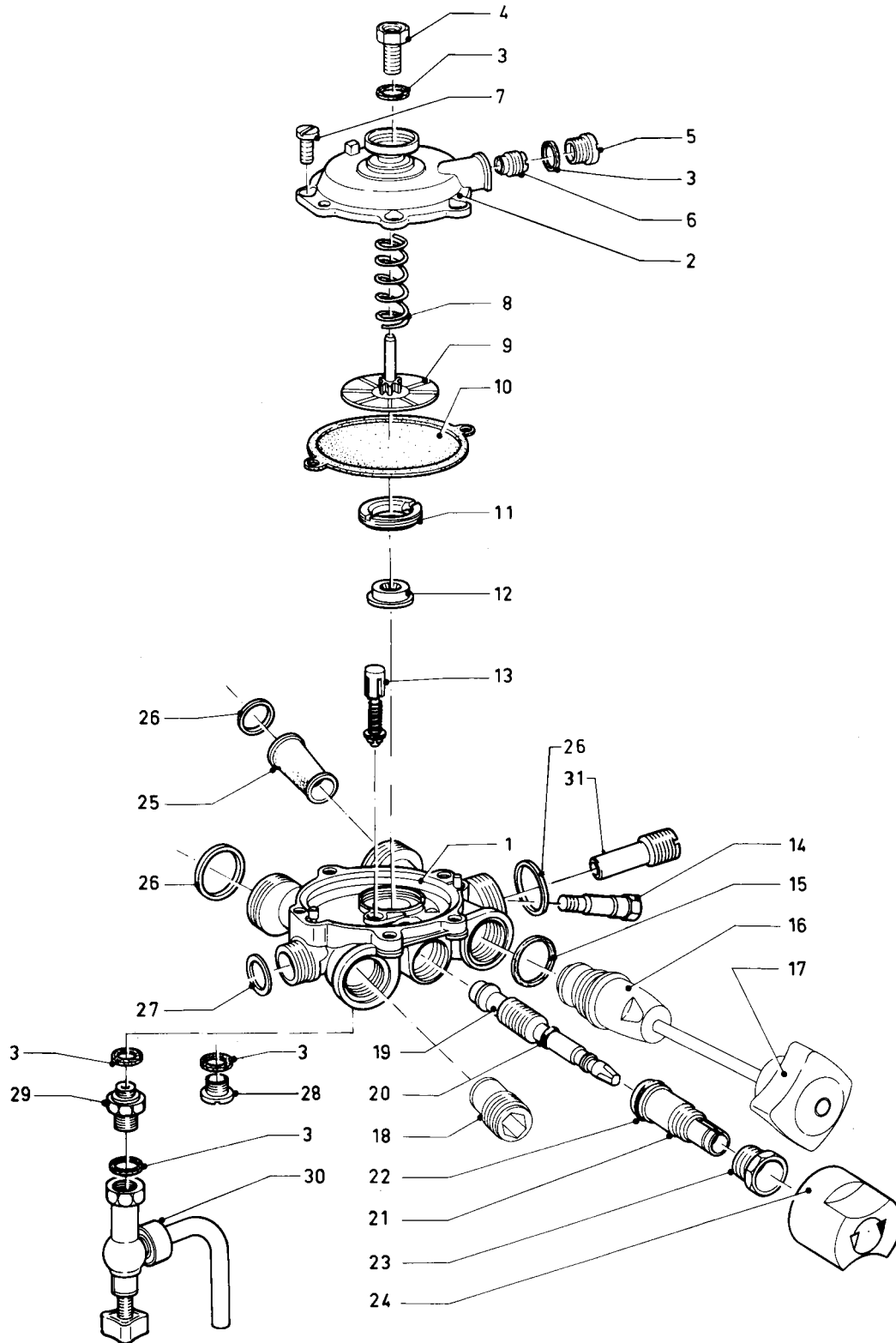
**Main component 01 Water valve
MAG 250-325/7-8 N (incl. sine)**



Main component 01 Water valve MAG 250-325/7-8 N (incl. sine)

Pict. No.	Article-No.	Part	Indic.	Type, Remarks									
				H = natural gas, B = LP-gas, N = Low Pressure									
	01-1015	water valve		<table style="border: none;"> <tr> <td style="border: none;">A 250/7-8 N H,B, 325/7 N B</td> <td rowspan="2" style="border: none;">}</td> <td rowspan="2" style="border: none;">supplied with parts 1-12,14,15, 20,21,23,27</td> </tr> <tr> <td style="border: none;">B 325/7-8 N H</td> </tr> <tr> <td style="border: none;">C sine 250/7-8 N H</td> <td rowspan="3" style="border: none;">}</td> <td rowspan="3" style="border: none;">supplied with parts 1-12,14,15, 20,21,24,27</td> </tr> <tr> <td style="border: none;">D sine 250/7-8 N B</td> </tr> <tr> <td style="border: none;">E sine 325/7-8 N B</td> </tr> </table>	A 250/7-8 N H,B, 325/7 N B	}	supplied with parts 1-12,14,15, 20,21,23,27	B 325/7-8 N H	C sine 250/7-8 N H	}	supplied with parts 1-12,14,15, 20,21,24,27	D sine 250/7-8 N B	E sine 325/7-8 N B
A 250/7-8 N H,B, 325/7 N B	}	supplied with parts 1-12,14,15, 20,21,23,27											
B 325/7-8 N H													
C sine 250/7-8 N H	}	supplied with parts 1-12,14,15, 20,21,24,27											
D sine 250/7-8 N B													
E sine 325/7-8 N B													
	01-1027	water valve											
	01-1107	water valve											
	01-1157	water valve											
	01-1116	water valve											
1	01-3014	top section		supplied with parts 2,3									
2	01-2156	stuffing box		plastic insert									
3	98-1506	packingring											
4	01-0050	screw											
5	98-0182	packingring											
6	01-0216	slow ignition valve											
7	01-0003	diaphragm screw											
8	16-4315	distance ring											
9	01-0007	diaphragm disc											
10	01-0312	diaphragm											
12	14-7617	regulating screw											
13	98-1511	packingring											
14	17-3077	bush											
15	01-0029	venturi	Ø 4,50	for type A,C									
	01-0064	venturi	Ø 4,00	for type D									
	01-0030	venturi	Ø 4,80	for type B,E									
16	98-1605	packingring											
17	01-2748	top spindle set	set of 2	supplied with part 16									
18	10-9913	shut-off plug		A-execution									
19	01-2008	handle set	set of 2	blue + red									
20	01-0113	plug											
21	98-0310	Packingring											
23	01-0050	screw		for type A,B									
24	01-0118	drain nipple		} for type C-E									
25	01-0120	drain valve											
26	98-0186	packingring		acc.-no. 434									
27	01-0053	water filter											
28	-	lower part of water section		not available as a spare part, only with water section complete									

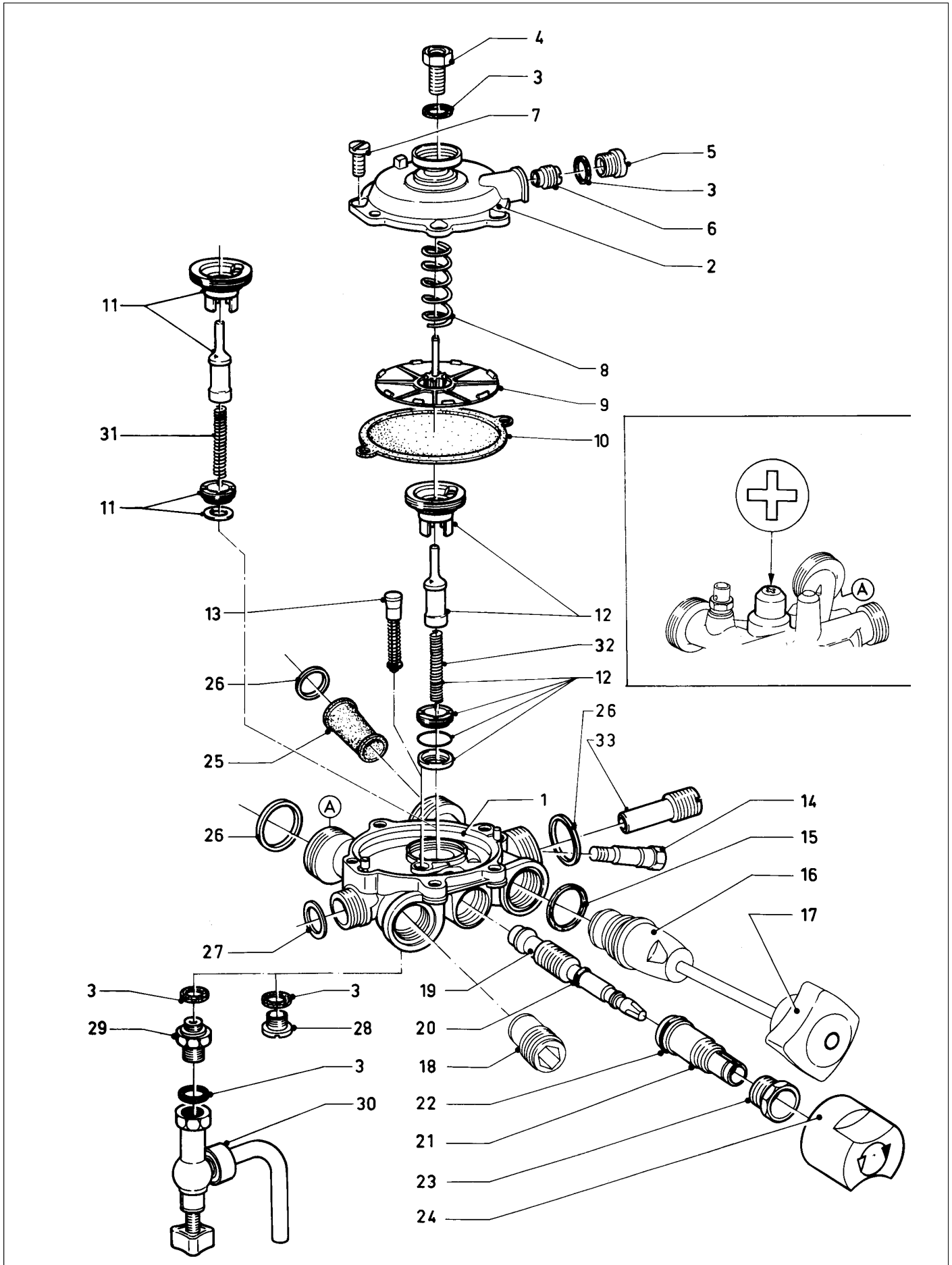
**Main component 01 Water valve
MAG 250-325/7 W (incl. sine), 400/7 W
with water quantity limiter**



**Main component 01 Water valve
MAG 250-325/7 W (incl. sine), 400/7 W
with water quantity limiter**

Pict. No.	Article-No.	Part	Indic.	Type, Remarks
				H = Natural gas, B = LP-gas
1	-	water valve, cpl.		no longer available, see execution with water quantity regulator (see page 18-19)
2	01-3014	top section		supplied with parts 3,4
3	98-1506	packingring		
4	01-2156	stuffing box		plastic insert
5	01-0050	screw		
6	01-0216	slow ignition valve		
7	01-0003	diaphragm screw		
8	10-4181	spring		
9	01-0007	diaphragm disc		
10	01-0312	diaphragm		
11	14-7617	regulating screw		
12	01-2927	water quantity limiter		250/7 W (incl. sine) H, 325/7 W (incl. sine) B
	01-2939	water quantity limiter		250/7 W (incl. sine) B
	01-2926	water quantity limiter		325/7 (incl. sine) H, 400/7 W B
	01-2925	water quantity limiter		400/7 W H
13	20-3006	piston		
14	01-2837	venturi	Ø 2,40	250/7 W (incl. sine) H
	01-2811	venturi	Ø 2,18	250/7 W (incl.sine) B
	01-0023	venturi	Ø 2,88	325/7 W (incl. sine) H, 400/7 W B
	01-2812	venturi	Ø 2,60	325/7 W (incl. sine) B
	01-0014	venturi	Ø 3,10	400/7 H
15	98-1605	packingring		
16	01-2748	top spindle set	set of 2	supplied with part 15
17	01-2008	handle set	set of 2	blue + red
18	10-9913	shut-off plug		A-execution
19	01-2519	temperature selector		supplied with parts 20-22
20	98-0309	packingring		
21	01-0143	guiding bush		
22	98-0310	Packingring		
23	18-2654	screw		
24	14-3937	knob		
25	01-0053	water filter		
26	98-0197	Packingring		
27	98-0186	packingring		
28	01-0050	screw		250-400/7 W
29	01-0118	drain nipple		acc.-no. 434 } sine 250-325/7 W
30	01-0120	drain valve		
31	17-3077	bush		

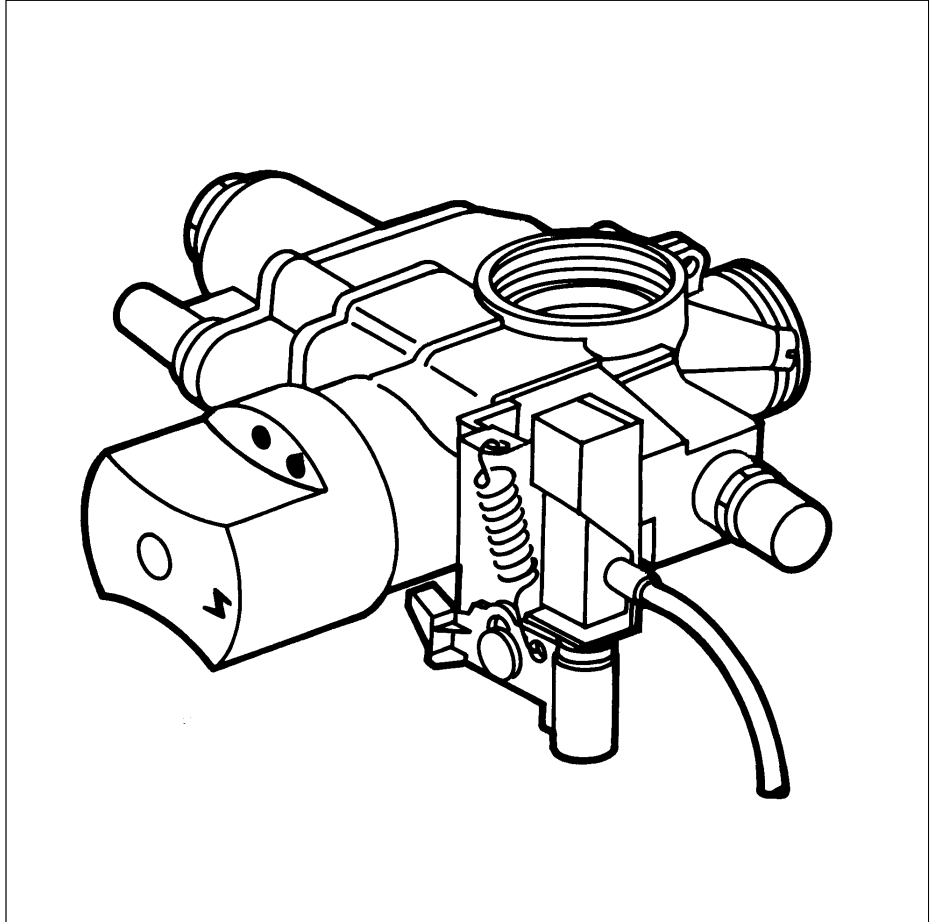
**Main component 01 Water valve
MAG 250-325/7 W (incl. sine), 400/7 W
with water quantity regulator**



Main component 01 Water valve MAG 250-325/7 W (incl. sine), 400/7 W with water quantity regulator

Pict. No.	Article-No.	Part	Indic.	Type, Remarks																																																																																																																																																																																																																		
				H = Natural gas, B = LP-gas																																																																																																																																																																																																																		
1	01-1218	water valve		<table style="border: none;"> <tr> <td>A 250/7 W H,B</td> <td rowspan="4" style="font-size: 3em; vertical-align: middle;">}</td> <td rowspan="4" style="vertical-align: middle;">supplied with parts 1-14,19-23, 25,28,33</td> </tr> <tr> <td>B 325/7 W H,B</td> </tr> <tr> <td>C 400/7 W H</td> </tr> <tr> <td>D 400/7 W B</td> </tr> <tr> <td>01-1219</td> <td>water valve</td> <td></td> <td></td> </tr> <tr> <td>01-1220</td> <td>water valve</td> <td></td> <td></td> </tr> <tr> <td>01-1221</td> <td>water valve</td> <td></td> <td></td> </tr> <tr> <td>01-1222</td> <td>water valve</td> <td></td> <td></td> <td rowspan="2"> <table style="border: none;"> <tr> <td>E sine 250/7 W H,B</td> <td rowspan="2" style="font-size: 3em; vertical-align: middle;">}</td> <td rowspan="2" style="vertical-align: middle;">supplied with parts 1-14,19-23, 25,29,33</td> </tr> <tr> <td>F sine 325/7 W H,B</td> </tr> </table> </td> </tr> <tr> <td>01-1223</td> <td>water valve</td> <td></td> <td></td> </tr> <tr> <td>2</td> <td>01-3014</td> <td>top section</td> <td></td> <td>supplied with parts 3,4</td> </tr> <tr> <td>3</td> <td>98-1506</td> <td>packingring</td> <td></td> <td></td> </tr> <tr> <td>4</td> <td>01-2156</td> <td>stuffing box</td> <td></td> <td>plastic insert</td> </tr> <tr> <td>5</td> <td>01-0050</td> <td>screw</td> <td></td> <td></td> </tr> <tr> <td>6</td> <td>01-0216</td> <td>slow ignition valve</td> <td></td> <td></td> </tr> <tr> <td>7</td> <td>01-0003</td> <td>diaphragm screw</td> <td></td> <td></td> </tr> <tr> <td>8</td> <td>10-4255</td> <td>spring</td> <td></td> <td></td> </tr> <tr> <td>9</td> <td>01-0007</td> <td>diaphragm disc</td> <td></td> <td></td> </tr> <tr> <td>10</td> <td>01-0312</td> <td>diaphragm</td> <td></td> <td></td> </tr> <tr> <td>11</td> <td>01-2947</td> <td>water quantity regulator</td> <td></td> <td></td> </tr> <tr> <td>12</td> <td>01-2944</td> <td>water quantity regulator</td> <td>1)</td> <td>Note: 1) only for,water valves with distinctive mark " + " on underneath part!!</td> </tr> <tr> <td>13</td> <td>20-3012</td> <td>piston</td> <td></td> <td></td> </tr> <tr> <td>14</td> <td>01-2811</td> <td>venturi</td> <td>Ø 2,18</td> <td>for type A,E</td> </tr> <tr> <td></td> <td>01-2812</td> <td>venturi</td> <td>Ø 2,60</td> <td>for type B,F</td> </tr> <tr> <td></td> <td>01-0014</td> <td>venturi</td> <td>Ø 3,10</td> <td>for type C</td> </tr> <tr> <td></td> <td>01-0023</td> <td>venturi</td> <td>Ø 2,88</td> <td>for type D</td> </tr> <tr> <td>15</td> <td>98-1605</td> <td>packingring</td> <td></td> <td></td> </tr> <tr> <td>16</td> <td>01-2748</td> <td>top spindle set</td> <td>set of 2</td> <td>supplied with part 15</td> </tr> <tr> <td>17</td> <td>01-2008</td> <td>handle set</td> <td>set of 2</td> <td>blue + red</td> </tr> <tr> <td>18</td> <td>10-9913</td> <td>shut-off plug</td> <td></td> <td>A-execution</td> </tr> <tr> <td>19</td> <td>01-2528</td> <td>temperature selector</td> <td></td> <td>supplied with parts 20-22</td> </tr> <tr> <td>20</td> <td>98-0309</td> <td>packingring</td> <td></td> <td></td> </tr> <tr> <td>21</td> <td>01-0143</td> <td>guiding bush</td> <td></td> <td></td> </tr> <tr> <td>22</td> <td>98-0310</td> <td>Packingring</td> <td></td> <td></td> </tr> <tr> <td>23</td> <td>18-2654</td> <td>screw</td> <td></td> <td></td> </tr> <tr> <td>24</td> <td>14-3937</td> <td>knob</td> <td></td> <td></td> </tr> <tr> <td>25</td> <td>01-0053</td> <td>water filter</td> <td></td> <td></td> </tr> <tr> <td>26</td> <td>98-1511</td> <td>packingring</td> <td></td> <td></td> </tr> <tr> <td>27</td> <td>98-1508</td> <td>packingring</td> <td></td> <td></td> </tr> <tr> <td>28</td> <td>01-0050</td> <td>screw</td> <td></td> <td>for type A-D</td> </tr> <tr> <td>29</td> <td>01-0118</td> <td>drain nipple</td> <td></td> <td rowspan="2"> <table style="border: none;"> <tr> <td>acc.-no. 434</td> <td rowspan="2" style="font-size: 3em; vertical-align: middle;">}</td> <td rowspan="2" style="vertical-align: middle;">for type E,F</td> </tr> <tr> <td>01-0120</td> </tr> </table> </td> </tr> <tr> <td>30</td> <td>01-0120</td> <td>drain valve</td> <td></td> <td></td> </tr> <tr> <td>31</td> <td>01-0081</td> <td>spring</td> <td></td> <td></td> </tr> <tr> <td>32</td> <td>10-4267</td> <td>spring</td> <td>1)</td> <td>Note: 1) only for,water valves with distinctive mark " + " on underneath part!!</td> </tr> <tr> <td>33</td> <td>17-3077</td> <td>bush</td> <td></td> <td></td> </tr> </table>	A 250/7 W H,B	}	supplied with parts 1-14,19-23, 25,28,33	B 325/7 W H,B	C 400/7 W H	D 400/7 W B	01-1219	water valve			01-1220	water valve			01-1221	water valve			01-1222	water valve			<table style="border: none;"> <tr> <td>E sine 250/7 W H,B</td> <td rowspan="2" style="font-size: 3em; vertical-align: middle;">}</td> <td rowspan="2" style="vertical-align: middle;">supplied with parts 1-14,19-23, 25,29,33</td> </tr> <tr> <td>F sine 325/7 W H,B</td> </tr> </table>	E sine 250/7 W H,B	}	supplied with parts 1-14,19-23, 25,29,33	F sine 325/7 W H,B	01-1223	water valve			2	01-3014	top section		supplied with parts 3,4	3	98-1506	packingring			4	01-2156	stuffing box		plastic insert	5	01-0050	screw			6	01-0216	slow ignition valve			7	01-0003	diaphragm screw			8	10-4255	spring			9	01-0007	diaphragm disc			10	01-0312	diaphragm			11	01-2947	water quantity regulator			12	01-2944	water quantity regulator	1)	Note: 1) only for,water valves with distinctive mark " + " on underneath part!!	13	20-3012	piston			14	01-2811	venturi	Ø 2,18	for type A,E		01-2812	venturi	Ø 2,60	for type B,F		01-0014	venturi	Ø 3,10	for type C		01-0023	venturi	Ø 2,88	for type D	15	98-1605	packingring			16	01-2748	top spindle set	set of 2	supplied with part 15	17	01-2008	handle set	set of 2	blue + red	18	10-9913	shut-off plug		A-execution	19	01-2528	temperature selector		supplied with parts 20-22	20	98-0309	packingring			21	01-0143	guiding bush			22	98-0310	Packingring			23	18-2654	screw			24	14-3937	knob			25	01-0053	water filter			26	98-1511	packingring			27	98-1508	packingring			28	01-0050	screw		for type A-D	29	01-0118	drain nipple		<table style="border: none;"> <tr> <td>acc.-no. 434</td> <td rowspan="2" style="font-size: 3em; vertical-align: middle;">}</td> <td rowspan="2" style="vertical-align: middle;">for type E,F</td> </tr> <tr> <td>01-0120</td> </tr> </table>	acc.-no. 434	}	for type E,F	01-0120	30	01-0120	drain valve			31	01-0081	spring			32	10-4267	spring	1)	Note: 1) only for,water valves with distinctive mark " + " on underneath part!!	33	17-3077	bush		
A 250/7 W H,B	}	supplied with parts 1-14,19-23, 25,28,33																																																																																																																																																																																																																				
B 325/7 W H,B																																																																																																																																																																																																																						
C 400/7 W H																																																																																																																																																																																																																						
D 400/7 W B																																																																																																																																																																																																																						
01-1219	water valve																																																																																																																																																																																																																					
01-1220	water valve																																																																																																																																																																																																																					
01-1221	water valve																																																																																																																																																																																																																					
01-1222	water valve			<table style="border: none;"> <tr> <td>E sine 250/7 W H,B</td> <td rowspan="2" style="font-size: 3em; vertical-align: middle;">}</td> <td rowspan="2" style="vertical-align: middle;">supplied with parts 1-14,19-23, 25,29,33</td> </tr> <tr> <td>F sine 325/7 W H,B</td> </tr> </table>	E sine 250/7 W H,B	}	supplied with parts 1-14,19-23, 25,29,33	F sine 325/7 W H,B																																																																																																																																																																																																														
E sine 250/7 W H,B	}	supplied with parts 1-14,19-23, 25,29,33																																																																																																																																																																																																																				
F sine 325/7 W H,B																																																																																																																																																																																																																						
01-1223	water valve																																																																																																																																																																																																																					
2	01-3014	top section		supplied with parts 3,4																																																																																																																																																																																																																		
3	98-1506	packingring																																																																																																																																																																																																																				
4	01-2156	stuffing box		plastic insert																																																																																																																																																																																																																		
5	01-0050	screw																																																																																																																																																																																																																				
6	01-0216	slow ignition valve																																																																																																																																																																																																																				
7	01-0003	diaphragm screw																																																																																																																																																																																																																				
8	10-4255	spring																																																																																																																																																																																																																				
9	01-0007	diaphragm disc																																																																																																																																																																																																																				
10	01-0312	diaphragm																																																																																																																																																																																																																				
11	01-2947	water quantity regulator																																																																																																																																																																																																																				
12	01-2944	water quantity regulator	1)	Note: 1) only for,water valves with distinctive mark " + " on underneath part!!																																																																																																																																																																																																																		
13	20-3012	piston																																																																																																																																																																																																																				
14	01-2811	venturi	Ø 2,18	for type A,E																																																																																																																																																																																																																		
	01-2812	venturi	Ø 2,60	for type B,F																																																																																																																																																																																																																		
	01-0014	venturi	Ø 3,10	for type C																																																																																																																																																																																																																		
	01-0023	venturi	Ø 2,88	for type D																																																																																																																																																																																																																		
15	98-1605	packingring																																																																																																																																																																																																																				
16	01-2748	top spindle set	set of 2	supplied with part 15																																																																																																																																																																																																																		
17	01-2008	handle set	set of 2	blue + red																																																																																																																																																																																																																		
18	10-9913	shut-off plug		A-execution																																																																																																																																																																																																																		
19	01-2528	temperature selector		supplied with parts 20-22																																																																																																																																																																																																																		
20	98-0309	packingring																																																																																																																																																																																																																				
21	01-0143	guiding bush																																																																																																																																																																																																																				
22	98-0310	Packingring																																																																																																																																																																																																																				
23	18-2654	screw																																																																																																																																																																																																																				
24	14-3937	knob																																																																																																																																																																																																																				
25	01-0053	water filter																																																																																																																																																																																																																				
26	98-1511	packingring																																																																																																																																																																																																																				
27	98-1508	packingring																																																																																																																																																																																																																				
28	01-0050	screw		for type A-D																																																																																																																																																																																																																		
29	01-0118	drain nipple		<table style="border: none;"> <tr> <td>acc.-no. 434</td> <td rowspan="2" style="font-size: 3em; vertical-align: middle;">}</td> <td rowspan="2" style="vertical-align: middle;">for type E,F</td> </tr> <tr> <td>01-0120</td> </tr> </table>	acc.-no. 434	}	for type E,F	01-0120																																																																																																																																																																																																														
acc.-no. 434	}	for type E,F																																																																																																																																																																																																																				
01-0120																																																																																																																																																																																																																						
30	01-0120	drain valve																																																																																																																																																																																																																				
31	01-0081	spring																																																																																																																																																																																																																				
32	10-4267	spring	1)	Note: 1) only for,water valves with distinctive mark " + " on underneath part!!																																																																																																																																																																																																																		
33	17-3077	bush																																																																																																																																																																																																																				

Main component 02



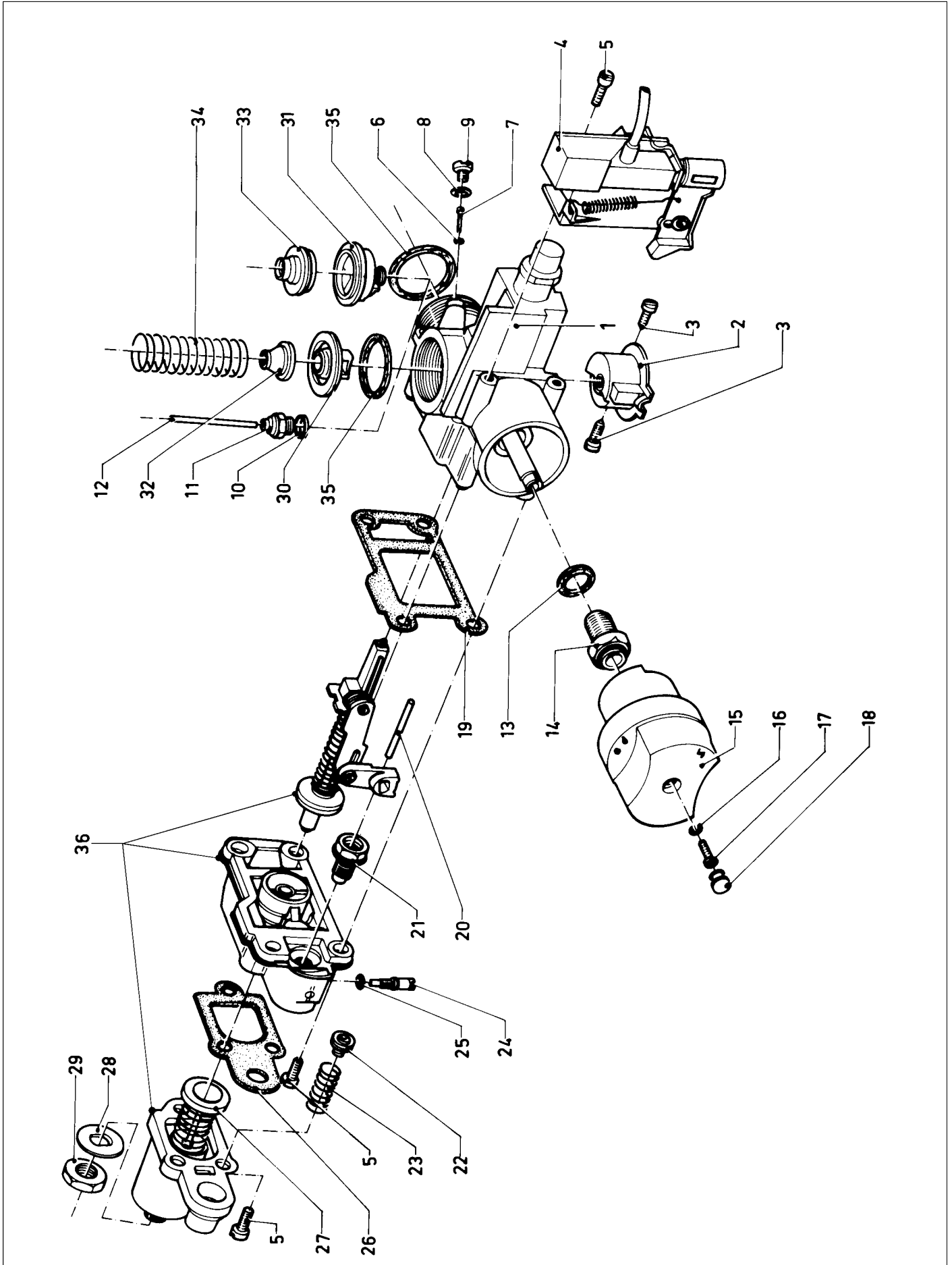
Gas valve
MAG 125/7 TZ (incl. N + SO 17)
MAG 250-400/7 TZ (incl. sine + W)
Gas valve
MAG-sine 250-325/8 TZ (incl. N)

Page

22 - 23

24 - 25

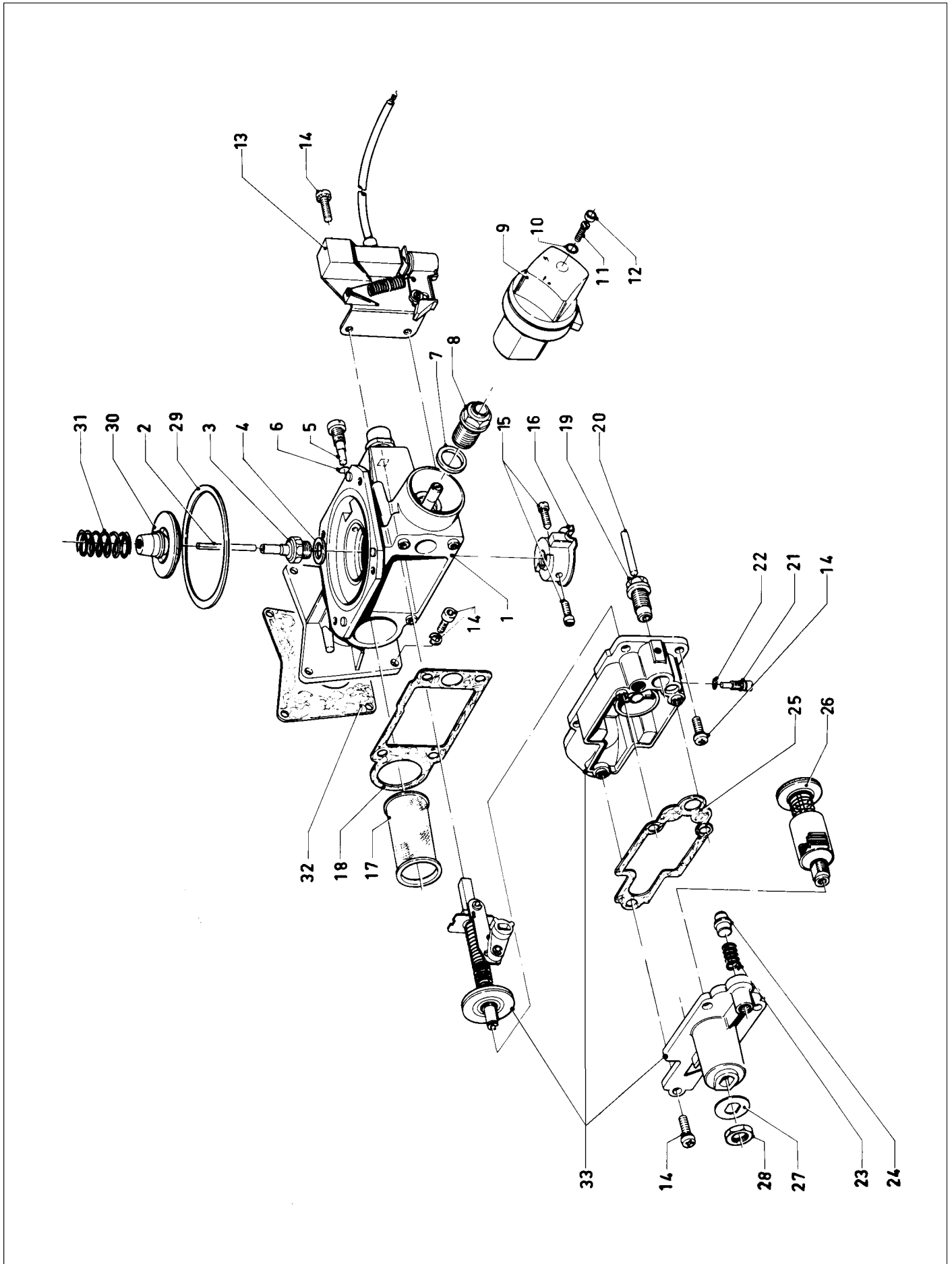
Main component 02 Gas valve
MAG 125/7 TZ (incl. N + SO 17)
MAG 250-400/7 TZ (incl. sine + W)



Main component 02 Gas valve
MAG 125/7 TZ (incl. N + SO 17)
MAG 250-400/7 TZ (incl. sine + W)

Pict. No.	Article-No.	Part	Indic.	Type, Remarks	
				H = Natural gas, B = LP-gas, N = Low Pressure	
1	02-1165	gas valve		A 125/7 H (incl. N), 250-400/7 H 250-325/7 N H B 125/7 B (incl. N) C 250-325/7 B D 250-325/7 N B E 400/7 PB F 250-400/7 W H sine 250-325/7 W H G 250-400/7 W B (incl. sine)	
	02-1166	gas valve			} supplied with parts 2-33,35
	02-1173	gas valve			
	02-1168	gas valve			
	02-1174	gas valve			
	02-1182	gas valve			
	02-1183	gas valve			} supplied with parts 2-31,35
2	19-5110	inset			
3	11-8874	screw			
4	09-1037	piezo ignition		supplied with part 5	
5	10-5758	screw			
6	98-0311	packingring			
7	02-0071	screw		supplied with part 6	
8	98-1502	packingring			
9	10-5767	screw			
10	98-0198	packingring			
11	02-0047	stuffing box			
12	02-0158	pin			
13	98-1755	packingring			
14	01-2130	stuffing box			
15	28-0818	handle			
16	06-0036	spring ring			
17	10-5705	screw			
18	13-7241	plug			
19	98-0773	packingring			
20	12-8067	pin			
21	01-2111	stuffing box			
22	02-0813	pilot gas valve			
23	10-4175	spring			
24	11-0004	screw		supplied with part 25	
25	98-0290	packingring			
26	98-0774	packingring			
27	17-0255	magneto		Note: order 98-0774 along with magneto	
28	17-0025	locking plate			
29	04-0364	nut			
30	02-0051	valve seat		for type B	
	12-5630	valve seat		for type C-E,G	
31	02-0512	valve seat		for type A,F	
32	02-0057	valve disc		for type B	
	02-0107	water deficiency valve,cpl.		for type C	
	02-0106	water deficiency valve cpl.		for type D (supplied with part 30)	
	02-0771	water deficiency valve cpl.		for type E	
33	02-0055	valve disc		for type A	
34	02-0065	spring		125 + N	
	02-0066	spring		250-400 (without W)	
35	98-0221	packingring			
36	-	single delivery not possible		supplied with gas valve,cpl.	

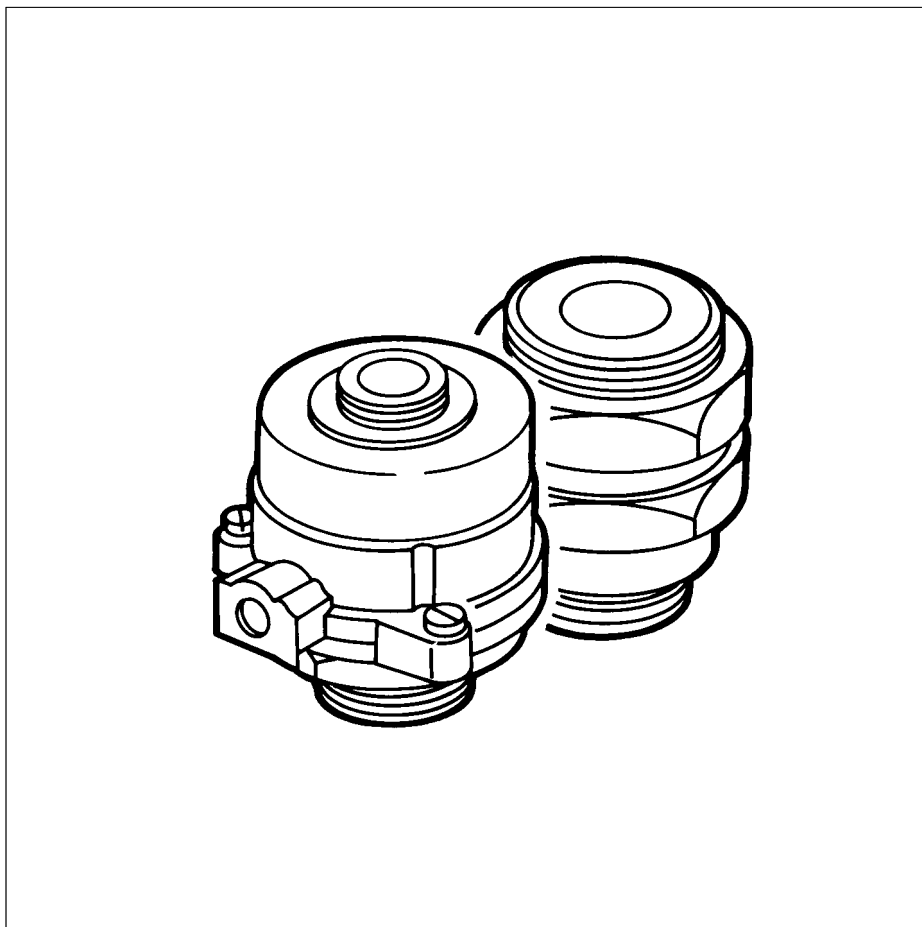
**Main component 02 Gas valve
MAG-sine 250-325/8 TZ (incl. N)**



Main component 02 Gas valve MAG-sine 250-325/8 TZ (incl. N)

Pict. No.	Article-No.	Part	Indic.	Type, Remarks
				H = Natural gas, B = LP-gas, N = Low Pressure
1	02-1156 02-1159 02-1177	gas valve gas valve gas valve		A sine 250/8 H (incl. N) B sine 325/8 H (incl. N) C sine 250-325/8 B (incl. N) } supplied with parts 2-30,32
2	12-8074	pin		
3	01-2116	stuffing box		
4	98-0198	packingring		
5	02-0359 02-0360 02-0364	nozzle screw nozzle screw nozzle screw		for type A for type B for type C (supplied with part 6)
6	98-0290	packingring		only for nozzle screw with type C
7	98-0217	packingring		
8	01-2130	stuffing box		
9	28-0818	handle		
10	06-0036	spring ring		
11	10-5705	screw		
12	13-7241	plug		
13	09-1037	piezo ignition		supplied with part 14
14	10-5758	screw		
15	11-8874	screw		
16	19-5110	inset		
17	10-8919	gas filter		
18	98-0768	packingring		
19	01-2111	stuffing box		
20	12-8067	pin		
21	11-0004	screw		supplied with part 22
22	98-0290	packingring		
23	10-4175	spring		
24	02-0812	pilot gas valve		
25	98-0769	packingring		
26	17-0250	magneto		
27	17-0025	locking plate		
28	04-0364	nut		
29	98-1721	packingring		
30	02-0738	valve disc		
31	10-4151 10-4150	spring spring		N-execution
32	98-0757	packingring		
33	-	single delivery not possible		supplied with gas valve,cpl.

Main component 03



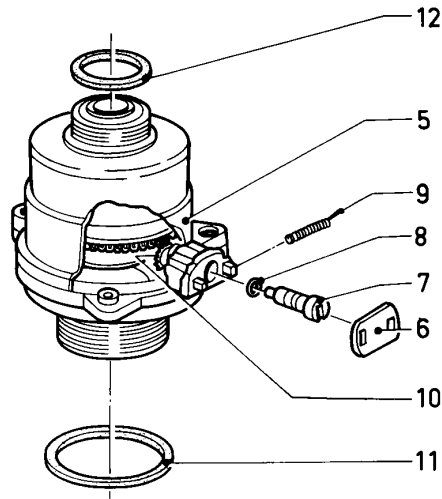
Gas quantity governor, Gas regulator, Connection piece
MAG 125/7-8, MAG 250-400/7-8 (incl. sine)
MAG 250-325/7 W (incl. sine), 400/7 W

Page

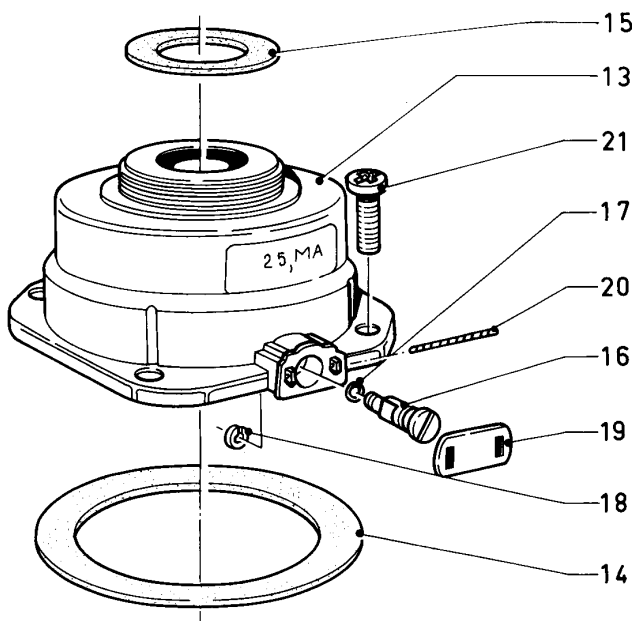
28 - 29

Main component 03 Gas quantity governor, Gas regulator, Connection piece
MAG 125/7-8, MAG 250-400/7-8 (incl. sine)
MAG 250-325/7 W (incl. sine), 400/7 W

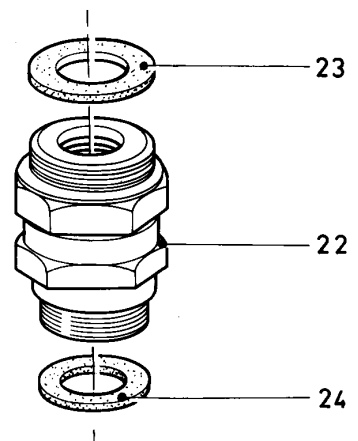
MAG 125/7-8



MAG 250-325/7-8 (incl. sine)
 MAG 400/7-8



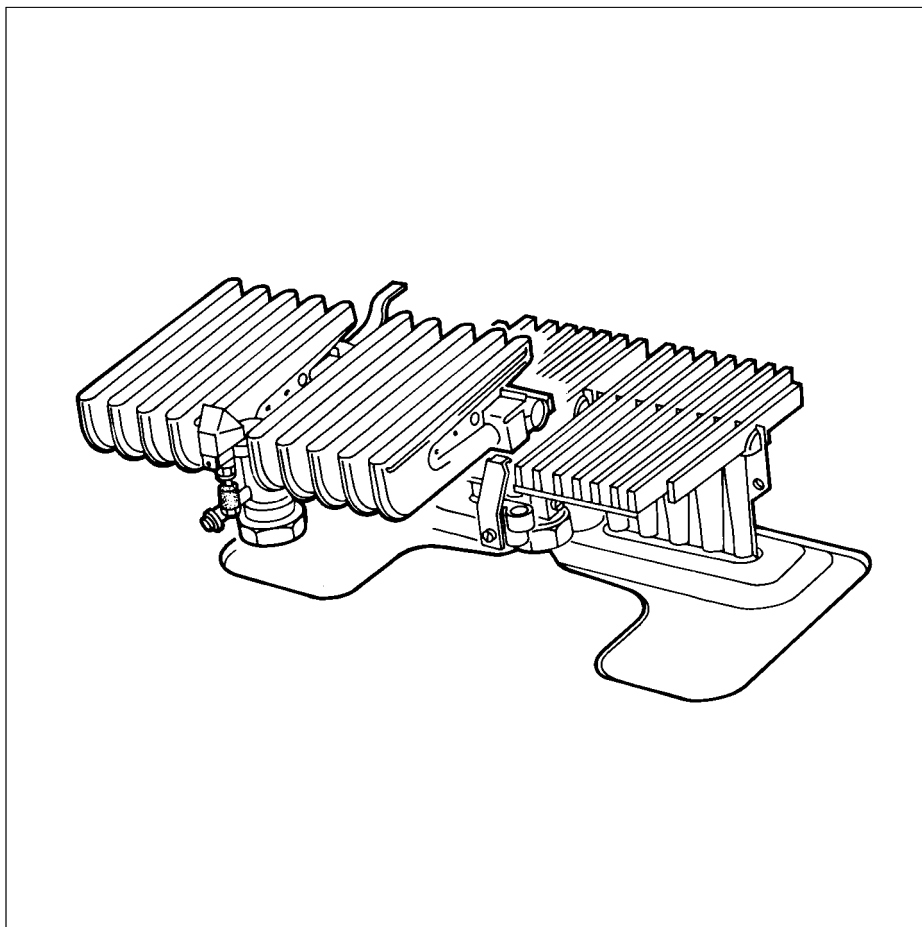
MAG 250-325/7 W (incl. sine)
 MAG 400/7 W



**Main component 03 Gas quantity governor, Gas regulator, Connection piece
MAG 125/7-8, MAG 250-400/7-8 (incl. sine)
MAG 250-325/7 W (incl. sine), 400/7 W**

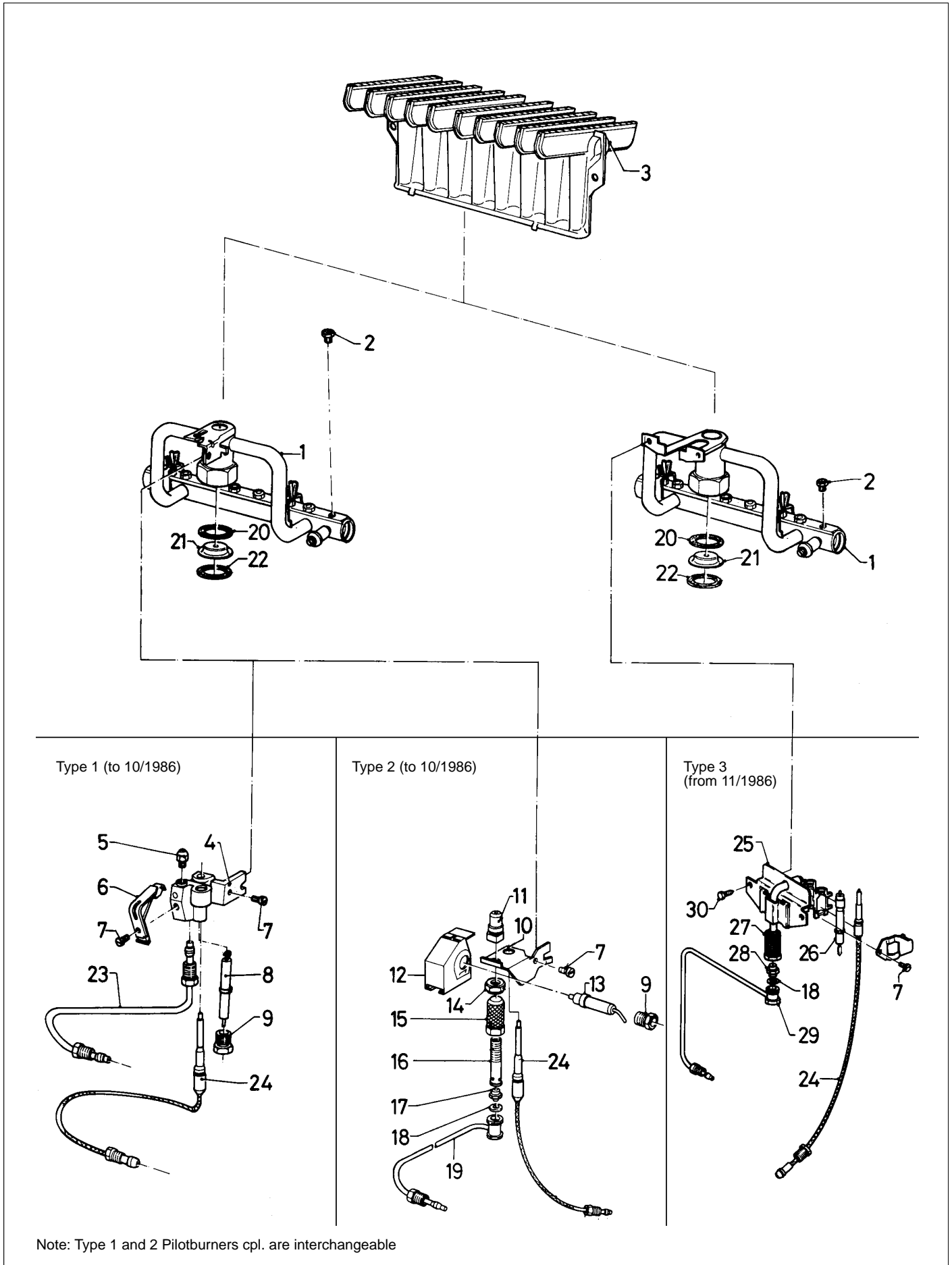
Pict. No.	Article-No.	Part	Indic.	Type, Remarks
				S = Towns gas, H = Natural gas, B = LP-gas
5	03-1214 08-0094	gas quantity regulator connection piece		125//8 S,H (supplied with parts 6-12) 125/7 H,B (not shown)
6	28-3007	locking plate		
7	11-3702	plug		
8	98-2447	packingring		
9	17-3314	wire		
10	04-0186	tension ring		
11	98-0221	packingring		
12	98-1510	packingring		
13	03-1211 08-0598 08-4926 03-1212 08-0599 08-4927 03-1213	gas quantity regulator connection piece connection piece gas quantity regulator connection piece connection piece gas quantity regulator		250/8 (incl. sine) supplied with parts 15,14 250/7 H,B } not shown sine 250/8 B } 325/8 (incl. sine) supplied with parts 15,14 325-400/7 H,B } not shown sine 325/8 B } 400/8 H (supplied with parts 15,14)
14	98-1721 98-0221	packingring packingring		250-400/8 (incl. sine) 250-400/7 H,B
15	98-0212 98-0213	packingring packingring		250/7-8 (incl. sine) 325-400/7-8 (incl. sine)
16	11-3702	plug		
17	98-2447	packingring		
18	04-0186	tension ring		
19	28-3007	locking plate		
20	17-3314	wire		
21	10-5758	screw		
22	08-5548 08-5550 08-5568 08-5569 08-5549 08-5551 08-5571 08-5572 08-5574 08-5575	gas regulator gas regulator gas regulator gas regulator gas regulator gas regulator gas regulator gas regulator gas regulator gas regulator	1) 1)	250/8 W S (incl. sine) 250/8 W H (incl. sine) 250/7 W H (incl. sine) 250/7 W B (incl. sine) 325/8 W S (incl. sine) 325/8 W H (incl. sine) 325/7 W H (incl. sine) 325/7 W B (incl. sine) 400/7 W H 400/7 W B Note: 1) only for town gas converted to natural gas
23	98-1512 98-1515	packingring packingring		250/7-8 W (incl. sine) 325/7-8 W (incl. sine), 400/7 W
24	98-1721 98-0221	packingring packingring		250-325/8 W (incl. sine) 250-325/7 W (incl. sine),400/7 W

Main component 04



	Page
Burner, pilotburner MAG 125/7 TZ B	32 - 33
Burner, pilotburner MAG 125/7 TZ B SO 25	34 - 35
Burner, pilotburner MAG 125/7 TZ H	36 - 37
Burner, pilotburner MAG 125/7 TZ H SO 17	38 - 39
Burner, pilotburner MAG 250-400/7 TZ (incl. W)	40 - 43
Burner, pilotburner MAG-sine 250-325/8 TZ H,B, MAG-sine 250-325/8 W B	44 - 45
Burner, pilotburner MAG-sine 250-325/7 W TZ H	46 - 47

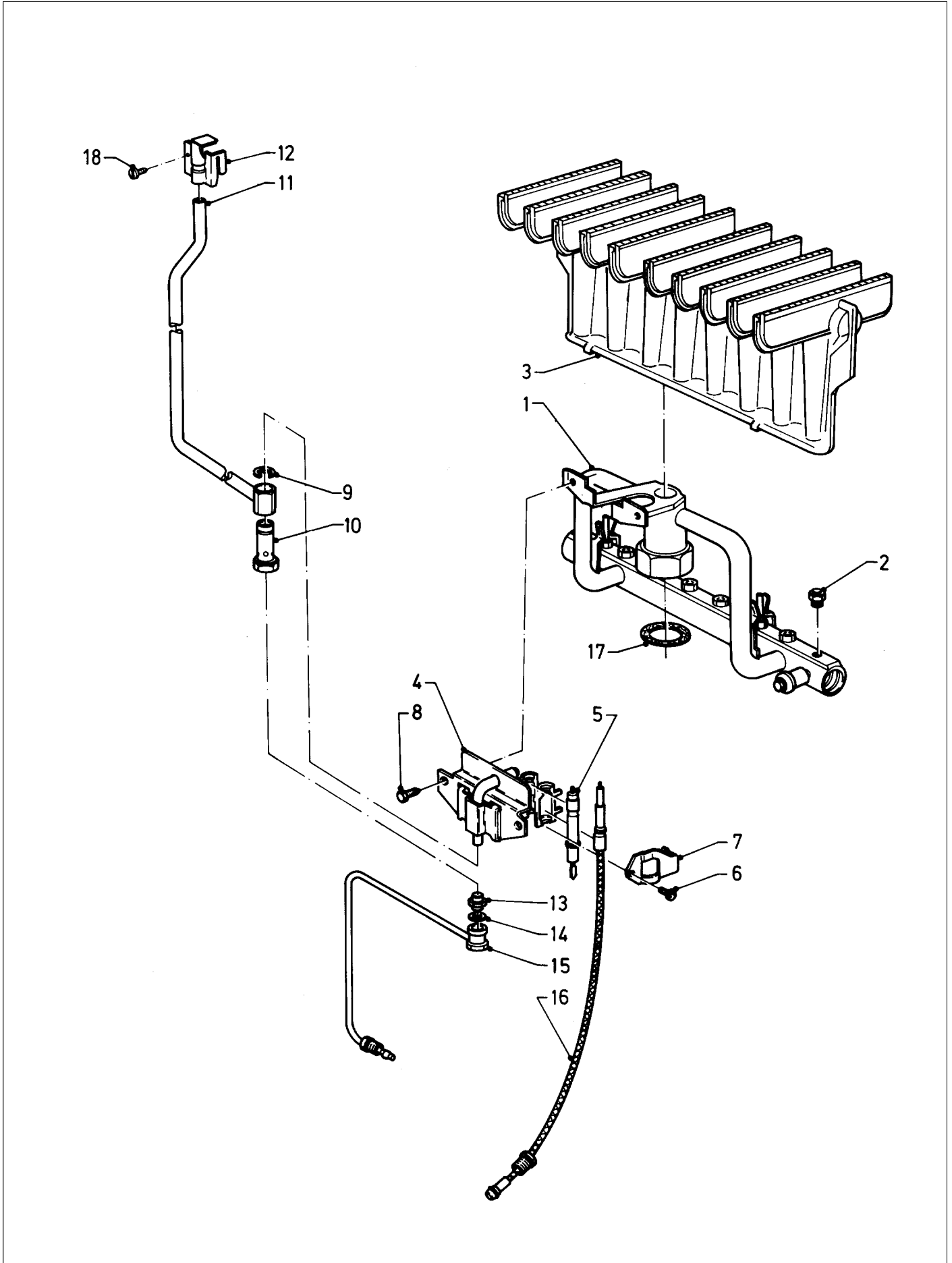
**Main component 04 Burner, pilotburner
MAG 125/7 TZ B**



Main component 04 Burner, pilotburner MAG 125/7 TZ B

Pict. No.	Article-No.	Part	Indic.	Type, Remarks
1	04-4542 04-4623	burner burner	1) 2)	B = LP-gas 125/7 TZ (to 10/86),and for converted appliances 125/1 T1 125/7 TZ (from 11/86) 1) supplied with parts 2,3,7,9-19,22 2) supplied with parts 2,3,7,18,22,24-30
2	24-7060	burner nozzle	Ø 0,60	
3	04-2399	burner chamber group		
4	04-2952	pilot burner	Type 1	supplied with parts 6,7
5	04-2815	pilot burner nozzle	Ø 0,18	
6	-	single delivery not possible		supplied with part 04-2952
7	06-0018	Screw		
8	09-0504	ignition bolt		
9	18-2618	screw		
10	04-2617	pilot burner	Type 2	supplied with parts 9,11-19
11	04-0521	pilot burner head		
12	19-2119	protection sheet		
13	09-0512	ignition plug		
14	04-0523	nut		
15	04-0516	air filter		
16	04-2416	mixing tube		
17	04-0550	pilot burner nozzle	Ø 0,18	
18	98-0225	packingring		
19	04-3799	pilot burner tube		
20-21	-	-		not necessary for british appliances execution
22	98-1510	packingring		
23	04-3737	pilot burner tube		
24	17-1125	thermo-couple		
25	04-2683	pilot burner	Type 3	supplied with parts 7,18,22,24,26-30
26	09-0643	ignition electrode		
27	15-1619	air filter		
28	04-0550	pilot burner nozzle	Ø 0,18	
29	04-3944	pilot burner tube		
30	23-5739	screw		

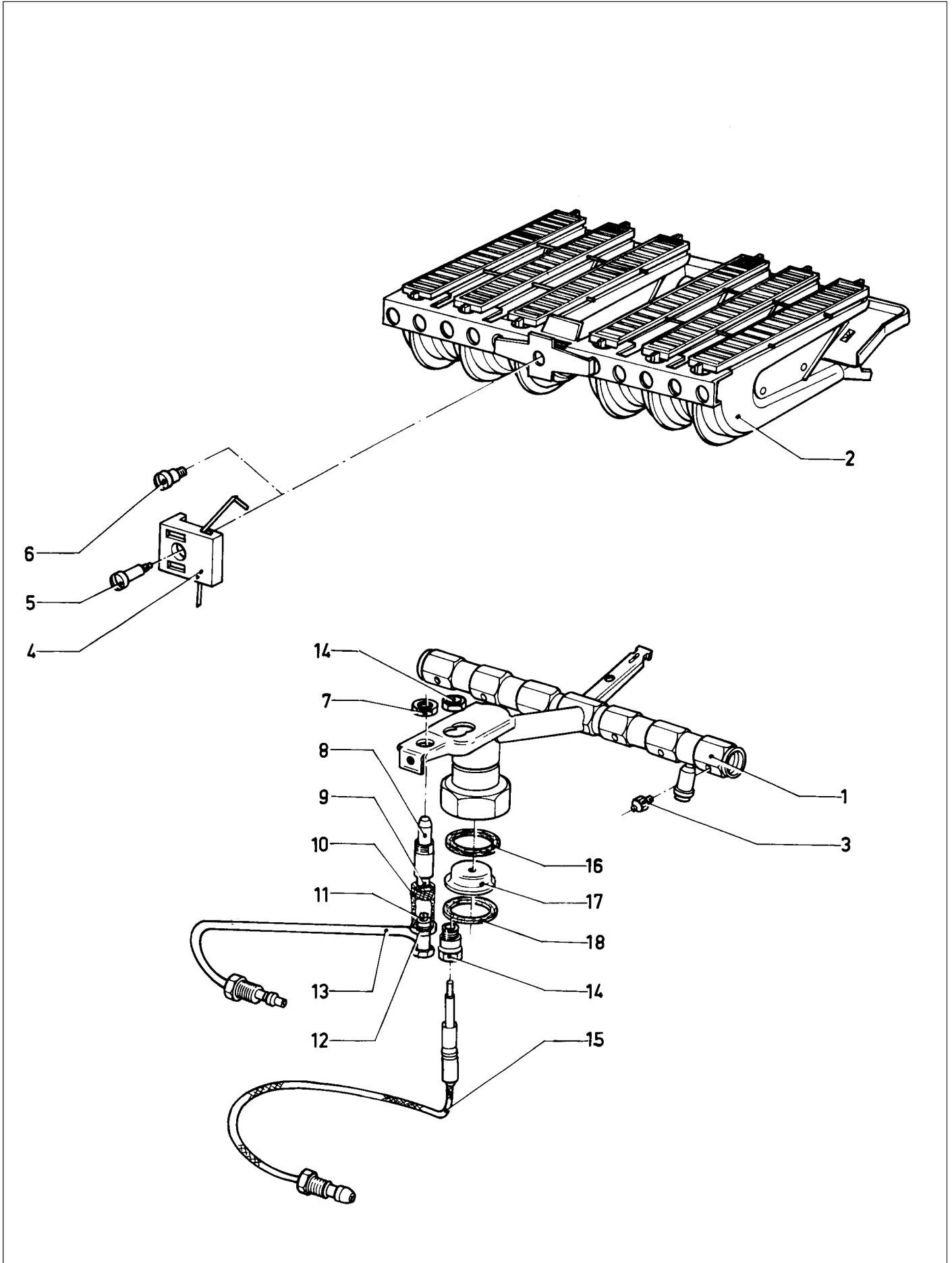
**Main component 04 Burner, pilotburner
MAG 125/7 TZ B SO 25**



Main component 04 Burner, pilotburner MAG 125/7 TZ B SO 25

Pict. No.	Article-No.	Part	Indic.	Type, Remarks
1	04-4724	burner		B = LP-gas supplied with parts 1-3,17
2	24-7060	burner nozzle	Ø 0,60	
3	04-2399	burner chamber group		
4	04-2119	pilot burner		
5	09-0643	ignition electrode		
6	06-0018	Screw		
7	19-5964	strip		
8	23-5739	screw		
9	11-5525	safety disc		
10-11	08-0204	pipe		
12	07-9426	air duct	Ø 0,18	
13	04-0550	pilot burner nozzle		
14	98-0225	packingring		
15	04-3944	pilot burner tube		
16	17-1125	thermo-couple		
17	98-1510	packingring		
18	23-5748	screw		

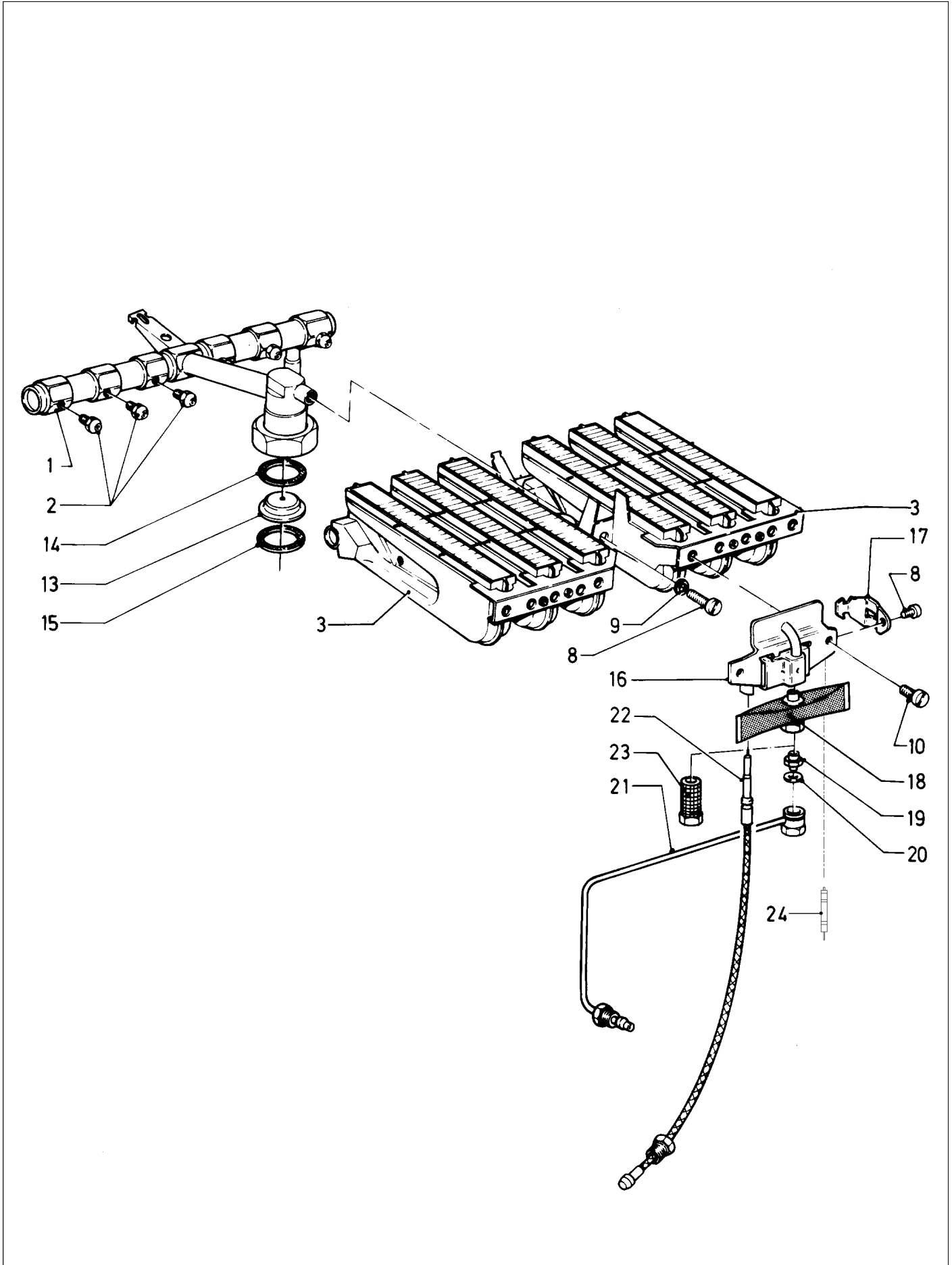
**Main component 04 Burner, pilotburner
MAG 125/7 TZ H**



Main component 04 Burner, pilotburner MAG 125/7 TZ H

Pict. No.	Article-No.	Part	Indic.	Type, Remarks
1	04-1519	burner		H = Natural gas supplied with parts 2-10,14,18
2	04-0170	burner chamber group	Ø 1,15	supplied with part 5 supplied with part 09-0647 not necessary for british appliances execution
3	24-1410	burner nozzle		
4	09-0647	ignition electrode		
5	-	single delivery not possible		
6	-	-		
7	04-0010	nut		
8	04-0511	pilot burner head	Ø 0,40	
9	04-2418	mixing tube		
10	04-0516	air filter		
11	04-0548	pilot burner nozzle		
12	98-0225	packingring		
13	04-3799	pilot burner tube		
14	17-3101	snap bush,cpl.		
15	17-1125	thermo-couple		
16-17	-	-	not necessary for british appliances execution	
18	98-1510	packingring		

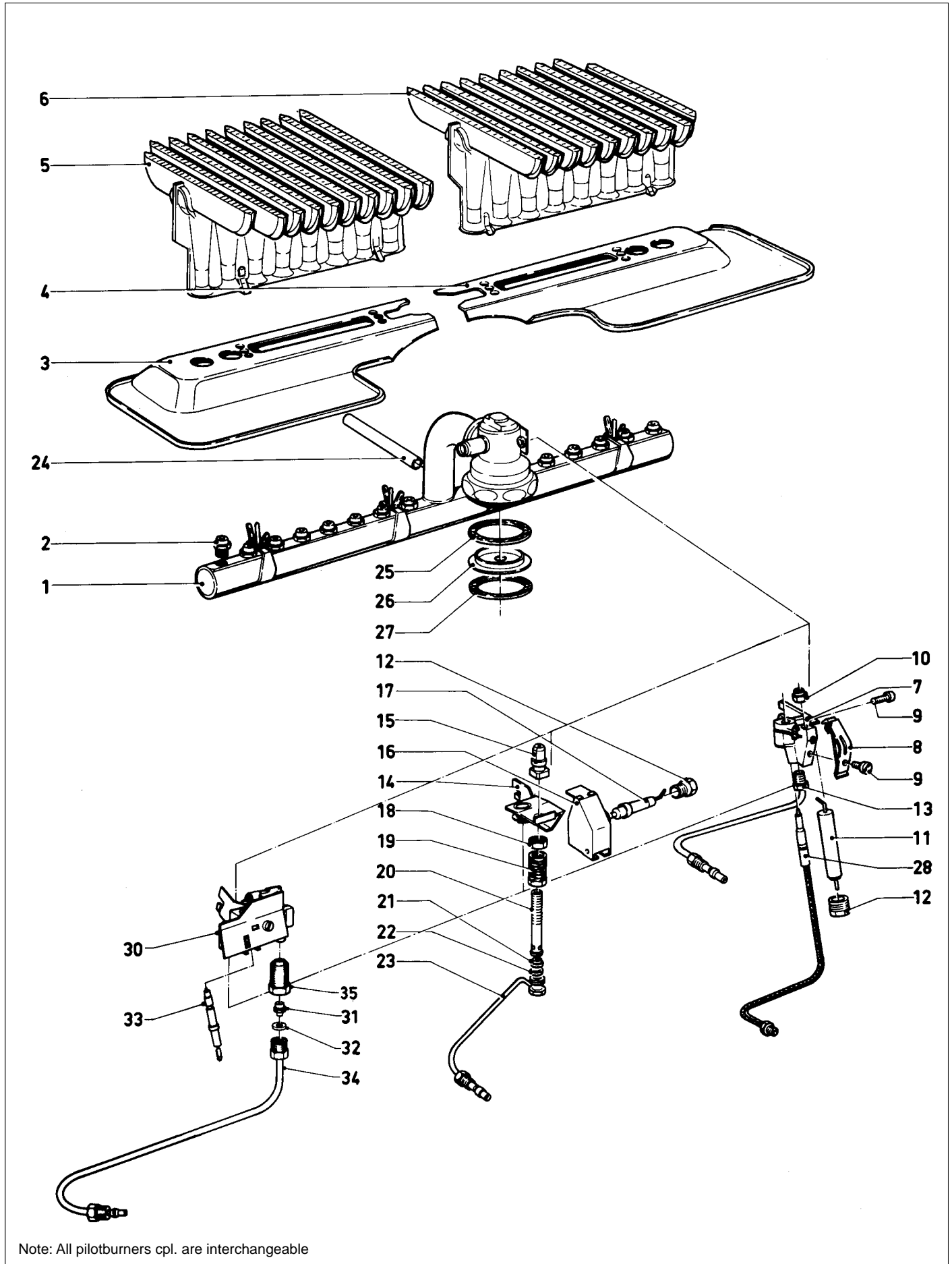
**Main component 04 Burner, pilotburner
MAG 125/7 TZ H SO 17**



Main component 04 Burner, pilotburner MAG 125/7 TZ H SO 17

Pict. No.	Article-No.	Part	Indic.	Type, Remarks
1	04-4632	burner		H = Natural gas supplied with parts 2,3,8,9,15
2	24-1410	burner nozzle	Ø 1,15	
3	04-2316	burner chamber group		
8	06-0018	screw		
9	09-0034	safety disc		
10	50-0055	screw		
13-14	-	-		not necessary for british appliances execution
15	98-1510	packingring		
16	04-2694	pilot burner		supplied with parts 8,17,18,23
17	19-5964	strip		
18	15-1619	air filter		
19	04-2825	pilot burner nozzle	Ø 0,25	
20	98-0225	packingring		
21	04-3941	pilot burner tube		
22	17-1125	thermo-couple		
23	09-0643	ignition electrode		

**Main component 04 Burner, pilotburner
MAG 250-400/7 TZ (incl. W)**

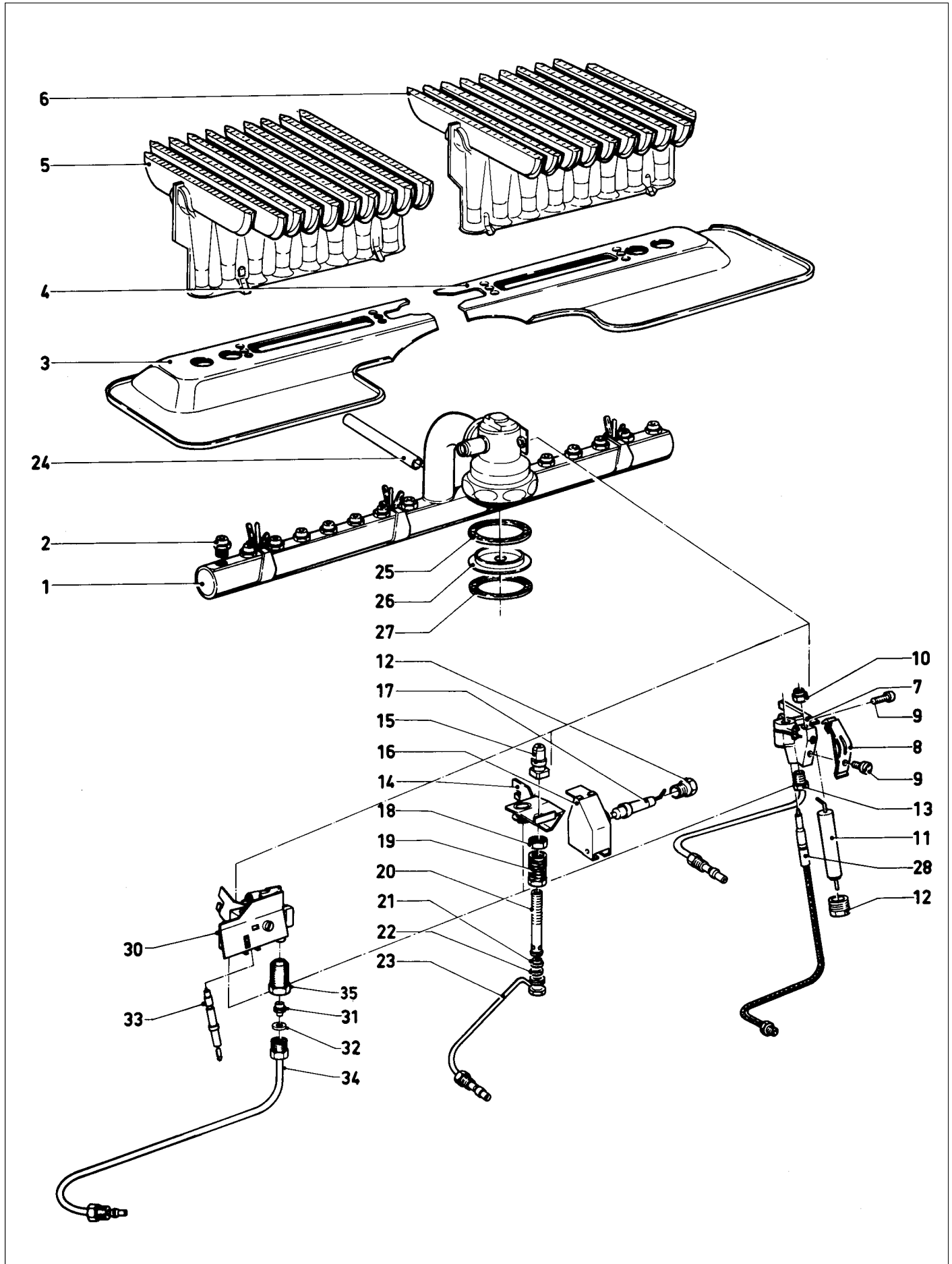


Note: All pilotburners cpl. are interchangeable

Main component 04 Burner, pilotburner MAG 250-400/7 TZ (incl. W)

Pict. No.	Article-No.	Part	Indic.	Type, Remarks
				S = Towns gas, H = Natural gas, B = LP-gas
1	04-4504	burner		A 250/7 H
	04-4544	burner		B 250/7 B
	04-4509	burner		C 325/7 H
	04-4546	burner		D 325/7 B
	04-4514	burner		E 400/7 H
	04-4548	burner		F 400/7 B
				} supplied with parts 2-6,24,27
2	24-7140	burner nozzle	Ø 1,40	for type A,C,E
	24-7075	burner nozzle	Ø 1,75	for type B,D,K
	24-7260	burner nozzle	Ø 2,60	250-325/7 S
	24-7270	burner nozzle	Ø 2,70	400/7 S
3	07-0917	collecting sheet		for type A,B
	07-0919	collecting sheet		for type C,D
	07-0921	collecting sheet		for type E,F
4	07-0916	collecting sheet		for type A,B
	07-0918	collecting sheet		for type C,D
	07-0920	collecting sheet		for type E,F
5	04-2372	burner chamber group,left		for type A
	04-2333	burner chamber group,left		for type B
	04-2374	burner chamber group,left		for type C
	04-2334	burner chamber group,left		for type D
	04-2376	burner chamber group,left		for type E
	04-2336	burner chamber group,left		for type F
6	04-2373	burner chamber group,right		for type A
	04-2337	burner chamber group,right		for type B
	04-2375	burner chamber group,right		for type C
	04-2338	burner chamber group,right		for type D
	04-2377	burner chamber group,right		for type E
	04-2339	burner chamber group,right		for type F
7-8	04-2952	pilot burner		supplied with part 9
9	06-0018	screw		
10	04-2818	pilot burner nozzle	Ø 0,34	H
	04-2815	pilot burner nozzle	Ø 0,18	B
	04-2819	pilot burner nozzle	Ø 0,55	S
11	09-0504	ignition bolt		
12	18-2618	screw		
13	04-3737	pilot burner tube		

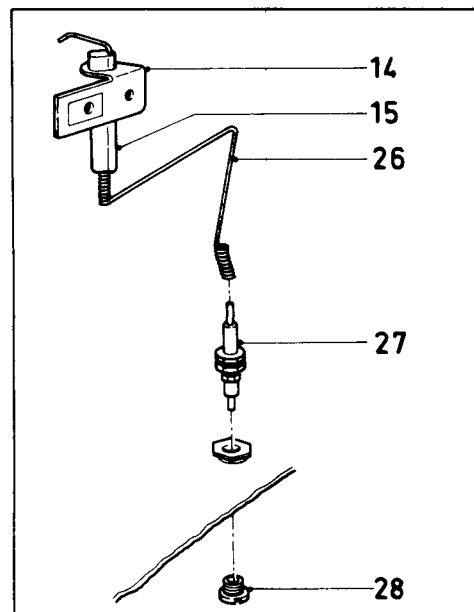
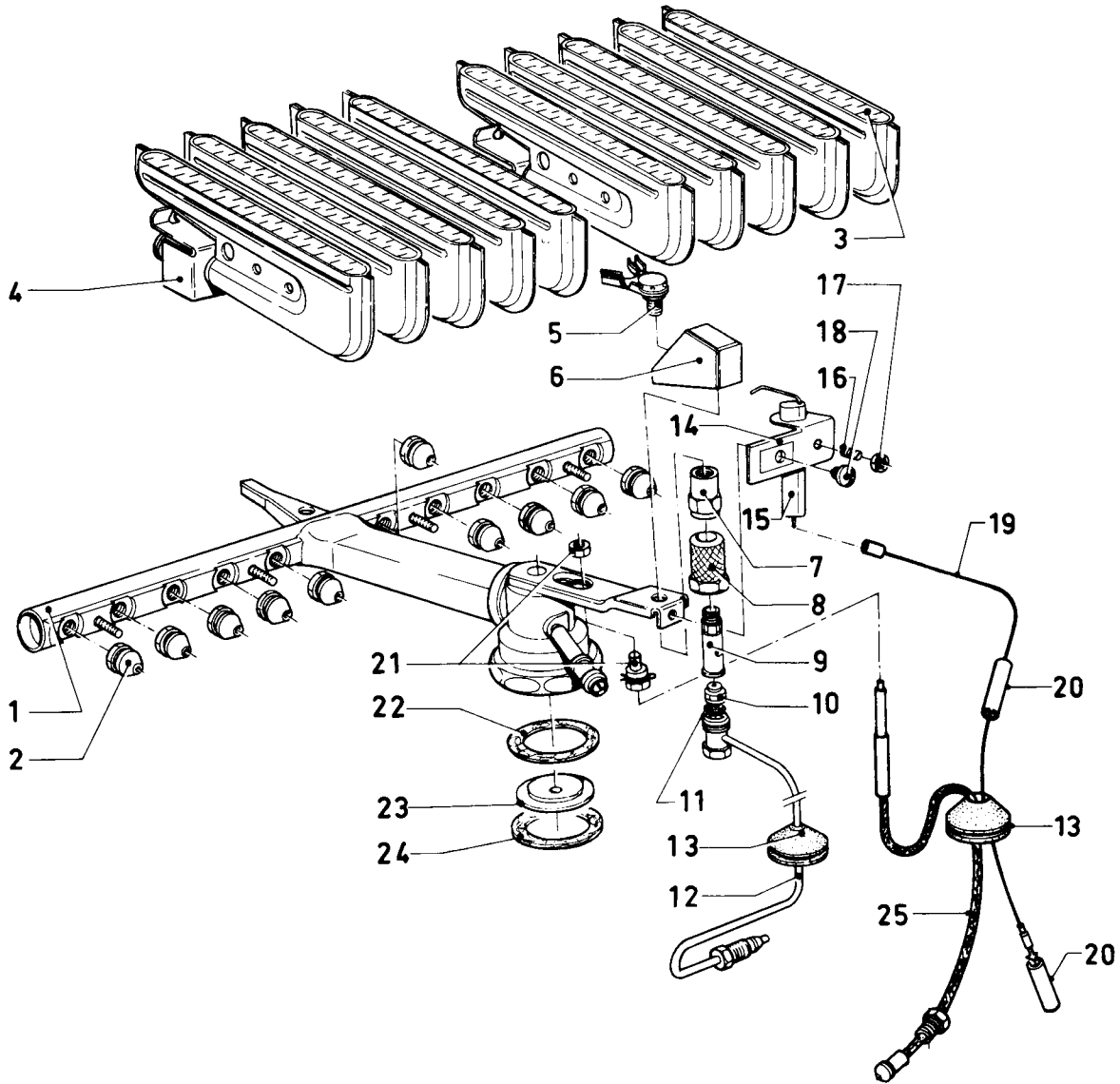
**Main component 04 Burner, pilotburner
MAG 250-400/7 TZ (incl. W)**



Main component 04 Burner, pilotburner MAG 250-400/7 TZ (incl. W)

Pict. No.	Article-No.	Part	Indic.	Type, Remarks
14	04-0841 04-2617	pilot burner pilot burner		H } B } supplied with parts 12,15-23
15	04-0521	pilot burner head		
16	19-2119	protection sheet		
17	09-0512	ignition plug		
18	04-0523	nut		
19	04-0516	air filter		
20	04-0531 04-2416	mixing tube mixing tube		H } B } supplied with parts 31-35
21	04-0548	pilot burner nozzle	Ø 0,40	H
	04-0550	pilot burner nozzle	Ø 0,18	B
	04-0553	pilot burner nozzle	Ø 0,65	S
22	98-0225	packingring		
23	04-3799	pilot burner tube		
24	17-3040	bush		
25-26	-	-		not necessary for british appliances execution
27	98-1512	packingring		for type A,B
	98-1515	packingring		for type C-F
28	17-1125	thermo-couple		
30	04-0898 04-0893	pilot burner pilot burner		H B
31	04-2816	pilot burner nozzle	Ø 0,30	H
	04-0550	pilot burner nozzle	Ø 0,18	B
	04-0552	pilot burner nozzle	Ø 0,55	S
32	98-0225	packingring		
33	09-0643	ignition electrode		
34	04-3942	pilot burner tube		
35	15-1619	air filter		

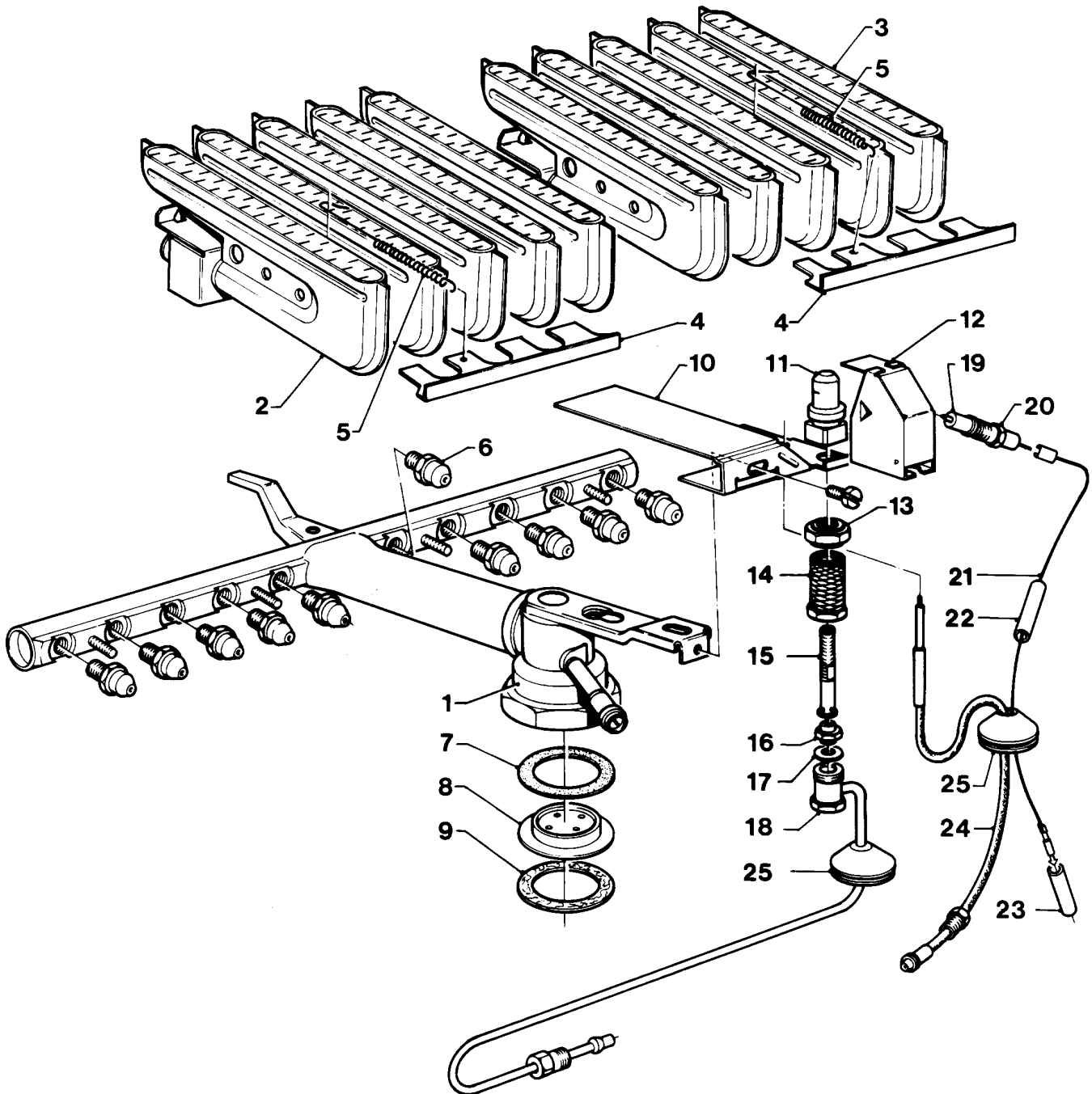
Main component 04 Burner, pilotburner
MAG-sine 250-325/8 TZ H,B, MAG-sine 250-325/8 W B



Main component 04 Burner, pilotburner MAG-sine 250-325/8 TZ H,B, MAG-sine 250-325/8 W B

Pict. No.	Article-No.	Part	Indic.	Type, Remarks
				S = Towns gas, H = Natural gas, B = LP-gas
1	04-1552 04-1553 04-1554 04-1555	burner burner burner burner		A sine 250/8 H B sine 250/8 B (incl. W) C sine 325/8 H D sine 325/8 B (incl. W) } supplied with parts 2-7,14-18,21,24
2	04-0084 04-0035 04-0036 04-0082	burner nozzle burner nozzle burner nozzle burner nozzle	Ø 1,25 Ø 0,75 Ø 0,80 Ø 2,30	for type A,C for type B for type D S
3	04-0169 04-0164 04-0172 04-0166	burner chamber group,right burner chamber group,right burner chamber group,right burner chamber group,right		for type A for type B for type C for type D
4	04-0168 04-0163 04-0171 04-0165	burner chamber group,left burner chamber group,left burner chamber group,left burner chamber group,left		for type A for type B for type C for type D
5-7	04-3020	pilot burner head		supplied with parts 8,9
8	04-0516	air filter		
9	04-2418	mixing tube		
10	04-2879 04-2857 04-0553	pilot burner nozzle pilot burner nozzle pilot burner nozzle	Ø 0,40 Ø 0,23 Ø 0,65	H (with throttle inlet Ø 0,50) B S
11	98-0225	packingring		
12	04-3781	pilot burner tube		supplied with part 13
13	98-0766	packingring		
15	09-0622	ignition electrode		
14-17	04-0853	ignition device		
18	06-0018	screw		
19-20	08-9549	connection line		
21	17-3101	snap bush,cpl.		
22-23	-	-		not necessary for british appliances execution
24	98-1512 98-1515	packingring packingring		for type A,B for type C,D
25	17-1140	thermo-couple		supplied with part 13
26-28	-	-		replaced by part number 08-9549

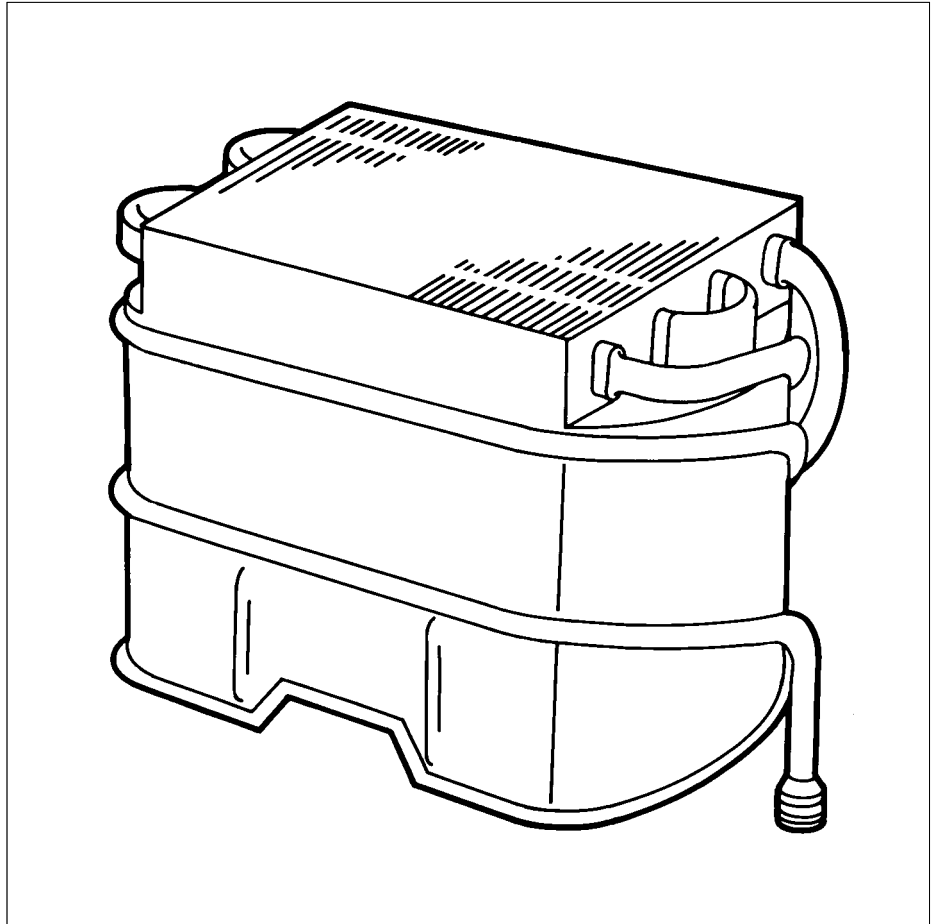
Main component 04 Burner, pilotburner
MAG-sine 250-325/7 W TZ H



Main component 04 Burner, pilotburner MAG-sine 250-325/7 WTZ H

Pict. No.	Article-No.	Part	Indic.	Type, Remarks
				H = Natural gas
1	04-1147 04-1148	burner burner		A sine 250/7 W H B sine 325/7 W H } supplied with parts 2-23,25
2	04-0168 04-0171	burner chamber group,left burner chamber group,left		for type A for type B
3	04-0169 04-0172	burner chamber group,right burner chamber group,right		for type A for type B
4	07-0456	cover plate		
5	28-4407	spring		
6	04-0084	burner nozzle	Ø 1,25	
7	98-0285 98-0286	packingring packingring		for type A for type B
8	04-9805 04-9858	throttle jet throttle jet	4 x Ø 2,60 4 x Ø 3,65	for type A for type B
9	981512 981515	packingring packingring		for type A for type B
10	04-2667	pilot burner		supplied with parts 11-15,19-23,26
11	04-3112	pilot burner head		
12	19-2119	protection sheet		
13	04-0523	nut		
14	04-0516	air filter		
15	04-0531	mixing tube		
16	04-2816	pilot burner nozzle	Ø 0,30	
17	98-0225	packingring		
18	04-3937	pilot burner tube		supplied with part 25
19	09-0518	ignition plug		
20	18-2618	screw		
21-23	08-9549	connection line		supplied with part 25
24	17-1140	thermo-couple		
25	98-0766	packingring		
26	06-0018	screw		

Main component 06



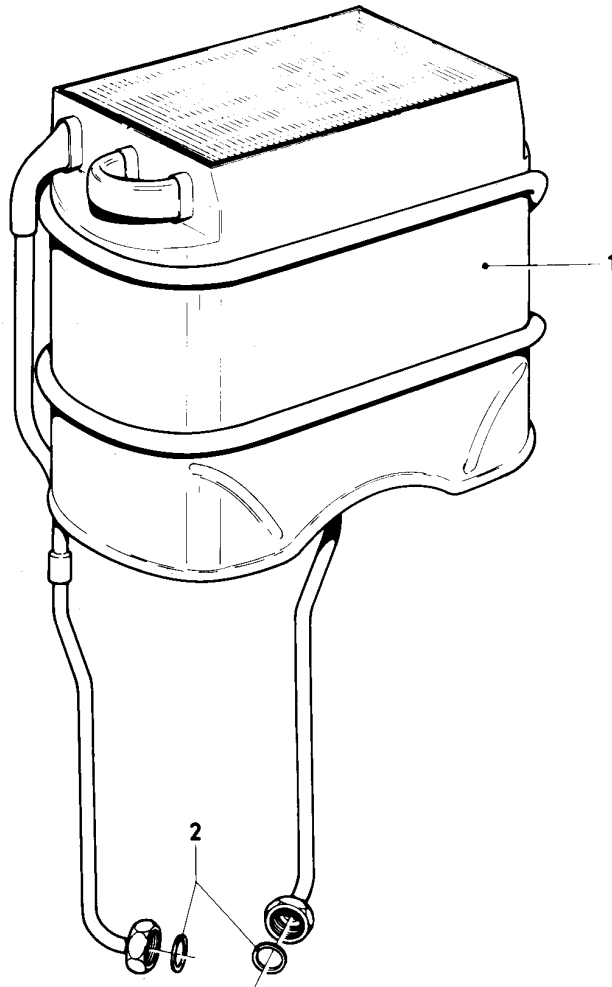
Heat exchanger
MAG 125/7-8, 7.1 (incl. N)
MAG 250-400/7-8 (incl. sine + N + W)

Page

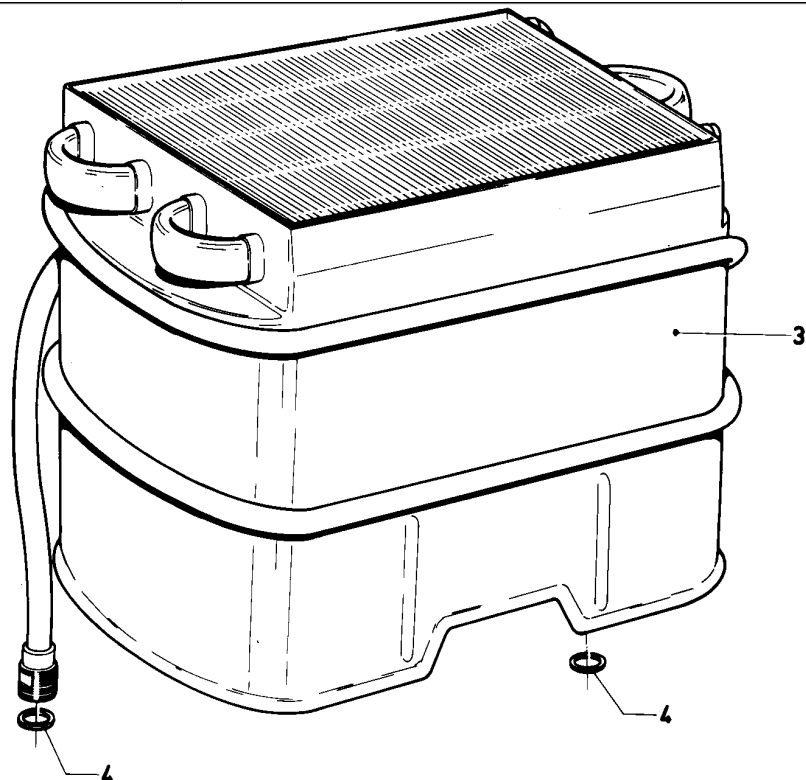
50 - 51

Main component 06 Heat exchanger
MAG 125/7-8, 7.1 (incl. N)
MAG 250-400/7-8 (incl. sine + N + W)

MAG 125/7-8



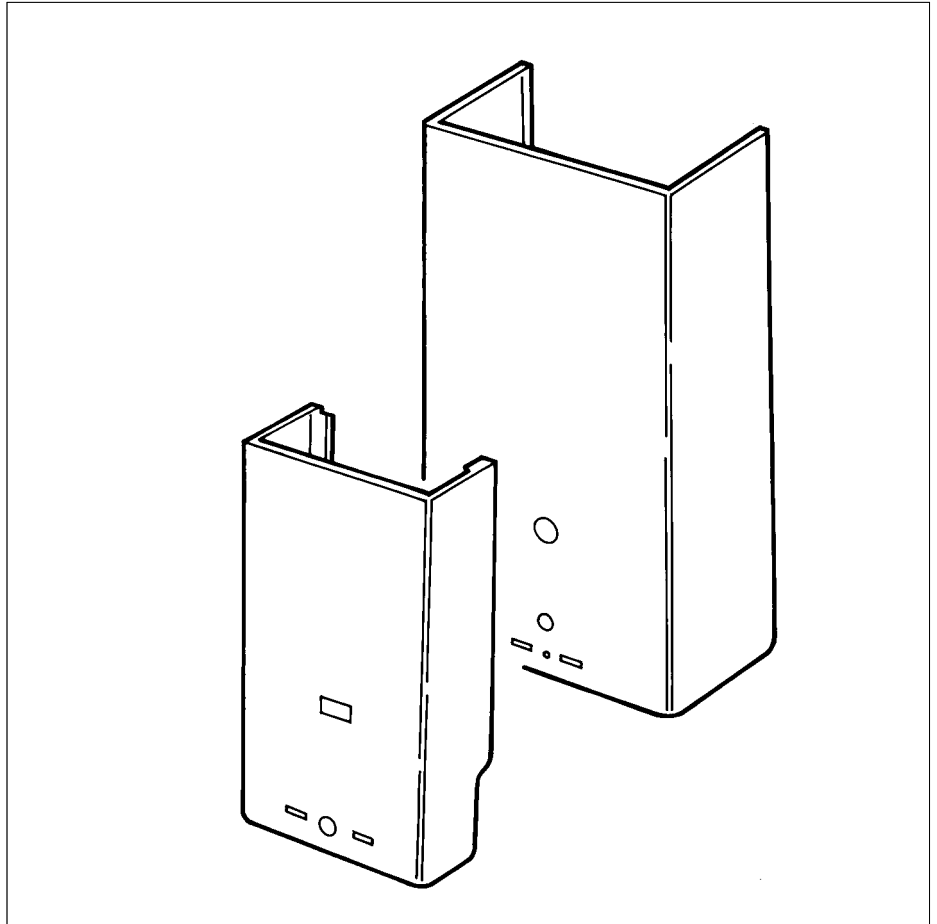
MAG 250-325/7-8 (incl. sine + N + W)
MAG 400/7-8 (incl. W)



Main component 06 Heat exchanger
MAG 125/7-8, 7.1 (incl. N)
MAG 250-400/7-8 (incl. sine + W)

Pict. No.	Article-No.	Part	Indic.	Type, Remarks
				N = Low Pressure
1	06-1003	heat exchanger		125/7-8, 7.1 (incl. N) supplied with part 2
2	98-1506	packingring		
3	06-1005	heat exchanger		250/7-8 (incl. N + W) sine 250/7-8 (incl. N + W) 325/7-8 (incl. N + W) sine 325/7-8 (incl. N + W) 400/7-8 (incl. W) } supplied with part 4
	06-1007	heat exchanger		
	06-1037	heat exchanger		
4	98-1508	packingring		

Main component 07



Casing parts
MAG 125/7-8, 7.1

Page

54 - 55

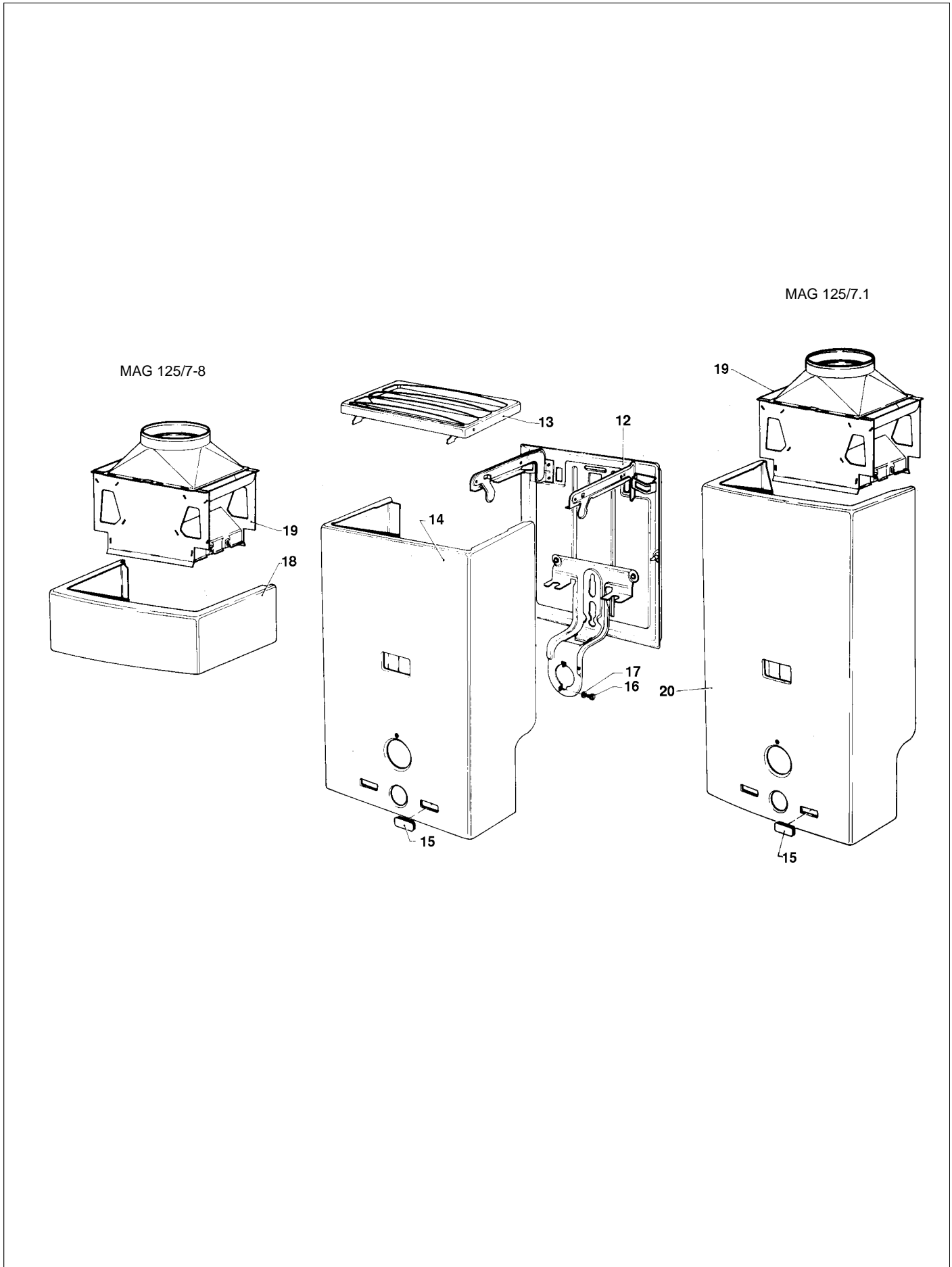
Casing parts
MAG 250-400/7 (incl. W)

56 - 57

Casing parts
MAG-sine 250-325/7-8 (incl. W)

58 - 61

Main component 07 Casing parts MAG 125/7-8, 7.1

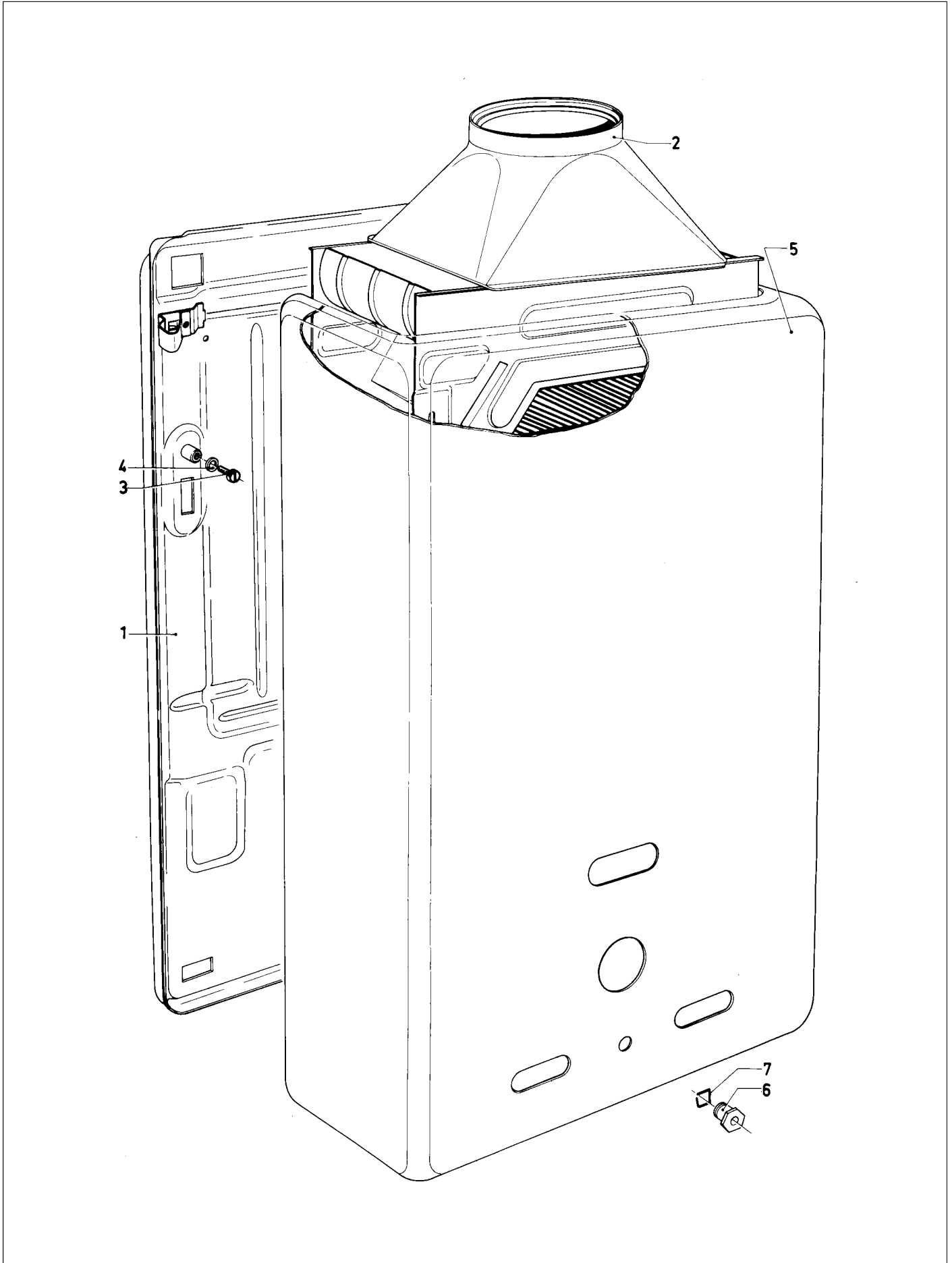


Main component 07 Casing parts MAG 125/7-8, 7.1

Pict. No.	Article-No.	Part	Indic.	Type, Remarks
12	07-9735	back panel		
13	07-7106	flue cap		125/7-8 (B - execution)
	07-7107	flue cap		125/7-8 (H - execution) handle on grill
14	07-2882	cowling		125/7-8
15	20-4015	cap		A-execution (without taps)
16	06-0025	screw		
17	98-0144	packingring		
-	-	diverter set		supplied with parts 18,19 (see acc.-no. 330)
18	07-7527	casing		125/7-8 (acc.-no. 000330)
19	07-4956	draft diverter		125/7-8 (acc.-no. 000330), 125/7.1
20	07-2892	cowling		125/7.1
-	12-6152	spring clip		for draft diverter
-	12-6144	spring clip		for casing (optional extra for mobile home sited heaters)

} not shown

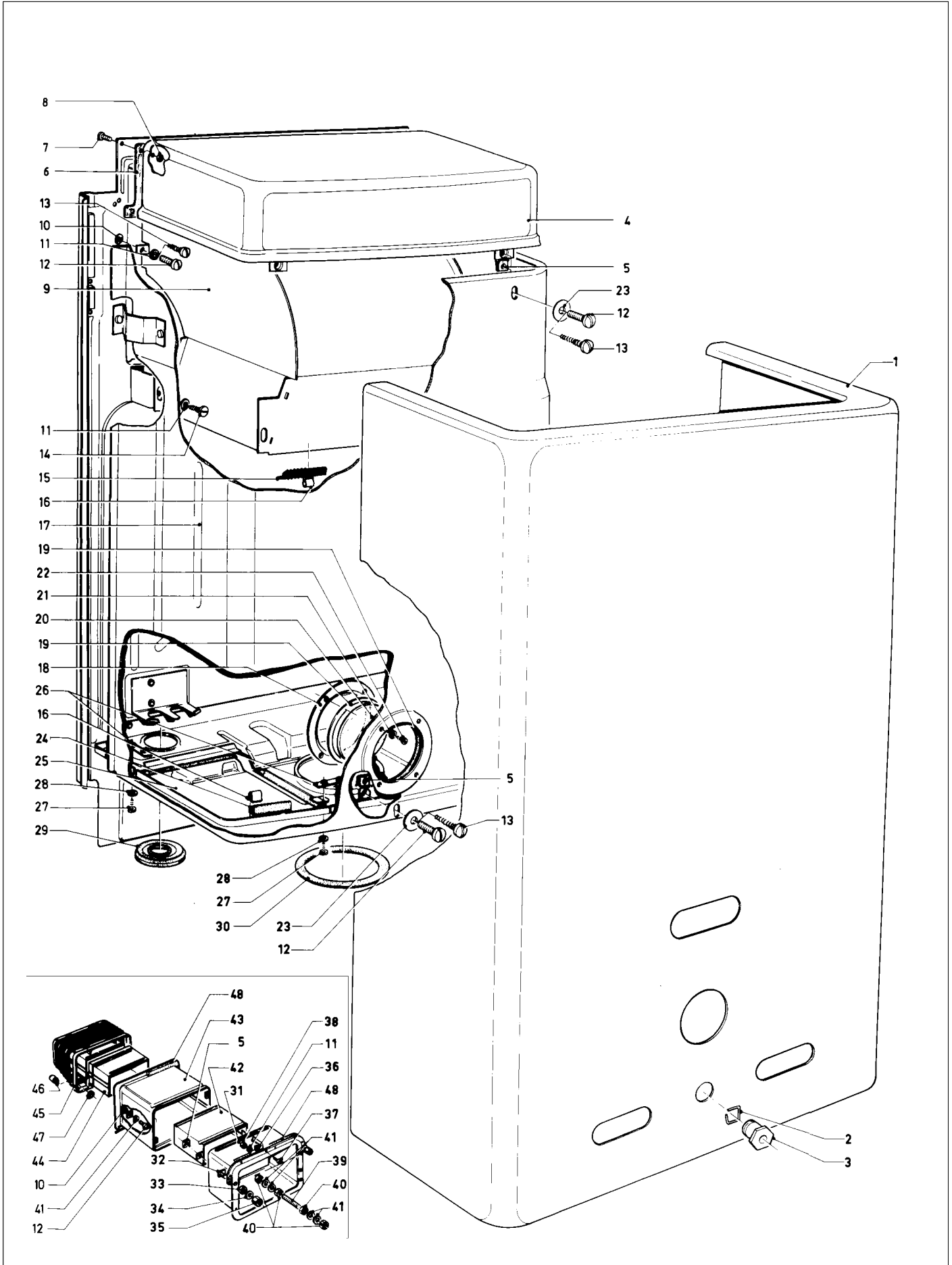
**Main component 07 Casing parts
MAG 250-400/7 (incl. W)**



**Main component 07 Casing parts
MAG 250-400/7 (incl. W)**

Pict. No.	Article-No.	Part	Indic.	Type, Remarks
1	07-9736	back panel		250/7
	07-9737	back panel		325-400/7
2	07-4942	draft diverter		250/7
	07-4943	draft diverter		325/7
	07-4944	draft diverter		400/7
3	07-0361	screw		
4	49-2032	disc		
5	07-2883	cowling cpl.		250/7
	07-2881	cowling cpl.		325/7,400/7 } supplied with parts 6,7
6	07-0320	locking nut		
7	07-0321	spring ring		

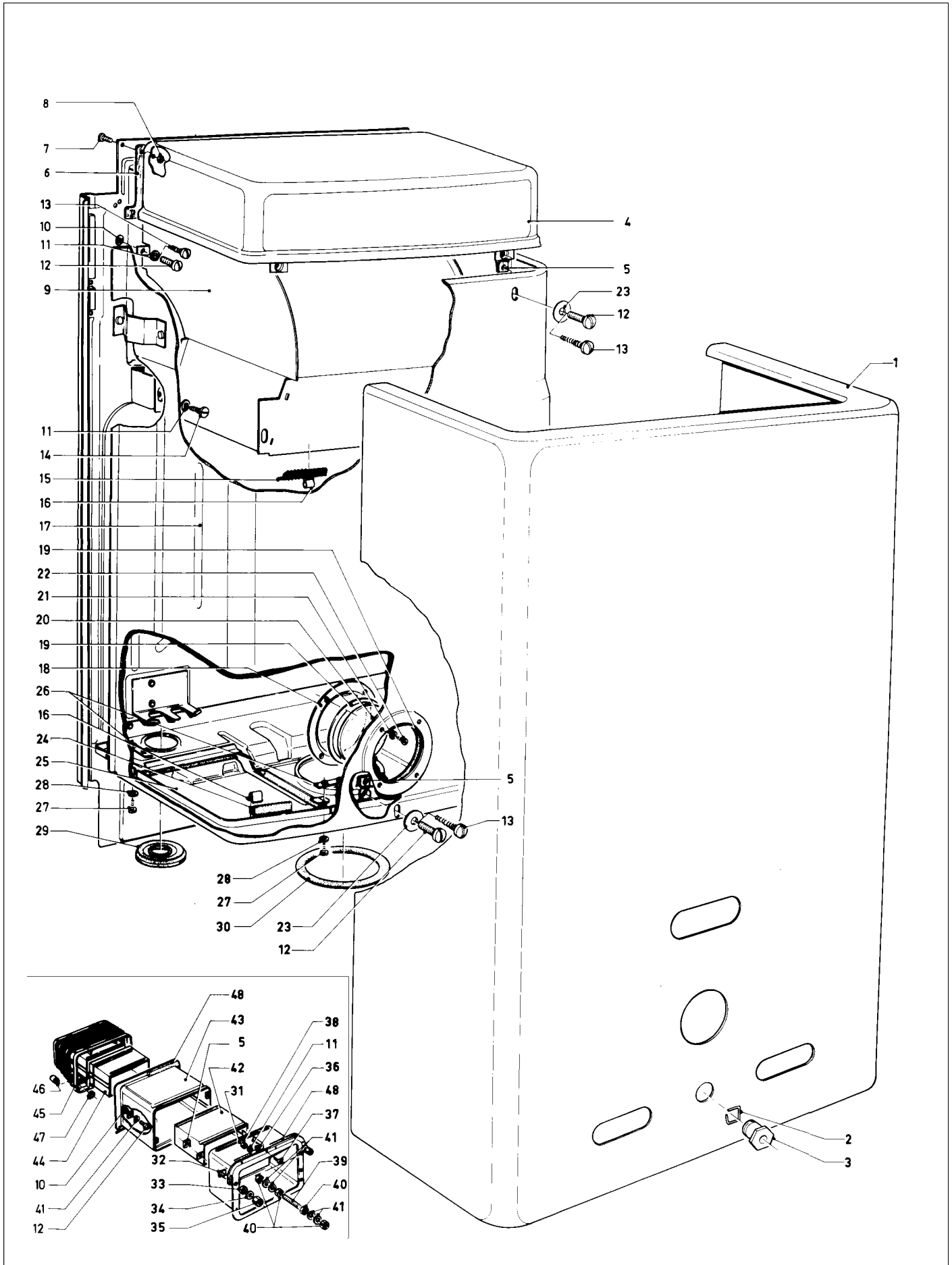
**Main component 07 Casing parts
MAG-sine 250-325/7-8 (incl. W)**



Main component 07 Casing parts MAG-sine 250-325/7-8 (incl. W)

Pict. No.	Article-No.	Part	Indic.	Type, Remarks	
1	07-2881	cowling cpl.		supplied with parts 2,3	
2	07-0321	spring ring			
3	07-0320	locking nut			
4	07-2345	cap			
5	15-8209	nut			
6	98-0763	packingring			
7	50-0055	screw			
8	04-0009	nut			
9	11-6622	flue bend		sine 250/7-8	
	11-6623	flue bend		sine 325/7-8	
10	28-6401	locking nut			
11	49-2032	disc			
12	07-0340	screw		M 6x21	
13	23-5738	screw		6,3x22	
14	23-5727	screw			
15	28-2814	sealing profile		sine 250/7-8	
	28-2815	sealing profile		sine 325/7-8	
16	28-0204	clip			
17	07-2829	cowling, inner		supplied with parts 18-22	
18	28-2249	ring			
19	98-1746	packingring			
20	16-1225	inspection glass			
21	95-0242	disc			
22	23-5748	screw			
23	07-0005	disc			
24	28-2813	sealing profile			
25	-	-			no longer available
26	19-5934	hinge			
27	08-8624	screw			
28	95-0239	Disc			
29	98-0765	packingring			
30	98-0764	packingring		sine 250-325/8	
	98-0858	packingring		sine 250-325/8 W	
	98-0832	packingring		sine 250-325/7 W	
31	07-3110	inner part	98 mm	4 inchs Acc. 251	
	07-3112	inner part	131 mm	5 inchs Acc. 252	
	07-3114	inner part	221 mm	8 inchs Acc. 253	
	07-3126	inner part	311 mm	12 inchs (without support) Acc. 254	
	07-3116	inner part	311 mm	12 inchs (with support) Acc. 255	
32	08-6527	support			
33	11-4848	nut			
34	19-1350	disc			
35	21-2718	nut			
36	08-6103	support			
37	20-2612	screw			
38	95-0237	nut			
39	08-4848	tie rod			
40	95-0237	nut			
41	28-4030	disc			

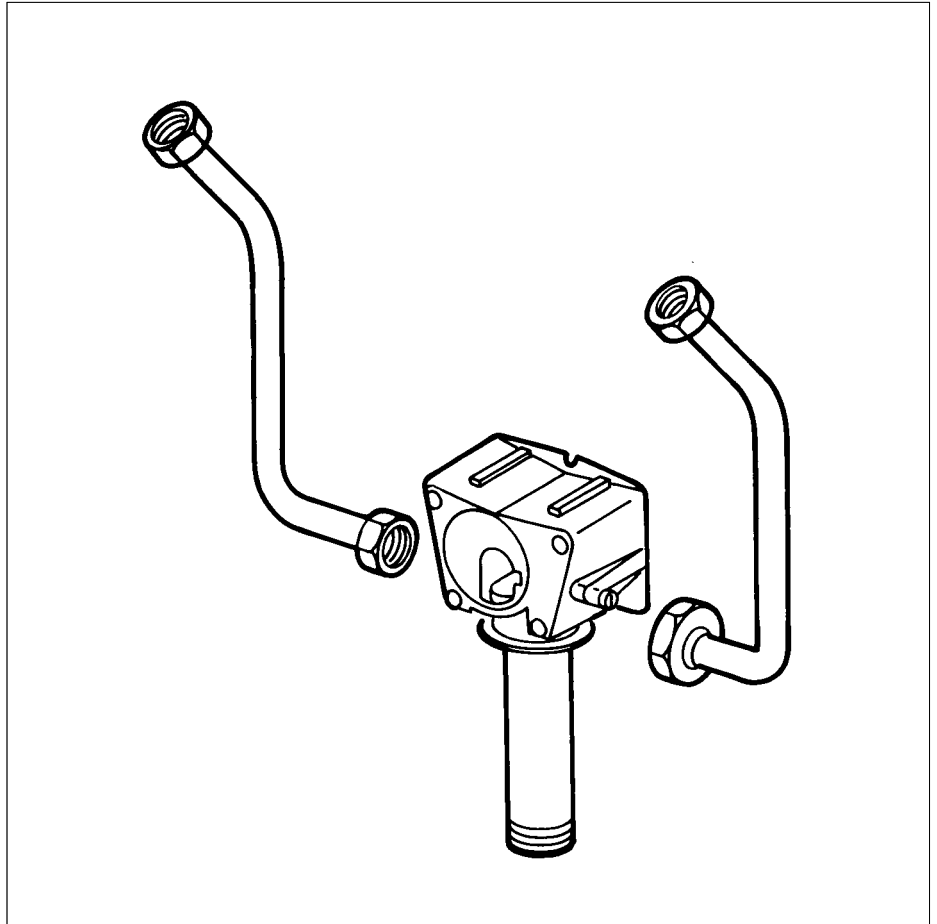
**Main component 07 Casing parts
MAG-sine 250-325/7-8 (incl. W)**



Main component 07 Casing parts MAG-sine 250-325/7-8 (incl. W)

Pict. No.	Article-No.	Part	Indic.	Type, Remarks
42	14-5574	duct	95 mm	4 inchs Acc. 251
	14-5575	duct	140 mm	5 1/2 inchs Acc. 252
	14-5576	duct	230 mm	9 inchs Acc. 253
	14-5577	duct	320 mm	12 1/2 inchs Acc. 254,255
43	07-3019	exterior part	85 mm	3 inchs Acc. 251
	07-3010	exterior part	130 mm	5 inchs Acc. 252,253,254
	07-3021	exterior part	310 mm	12 inchs Acc. 255
44	14-5516	duct	57 mm	2 inchs Acc. 252,253,254
	14-5518	duct	237 mm	9 inchs Acc. 255
45	07-3662	protection grill		
46	12-4835	bush		
47	11-5520	safety disc		
48	28-2822	sealing profile		
<p>Information: low level terminal Cover Acc. No. 000296 (not shown)</p>				

Main component 08



Connection parts
MAG 125/7-8, 7.1

Page

64 - 65

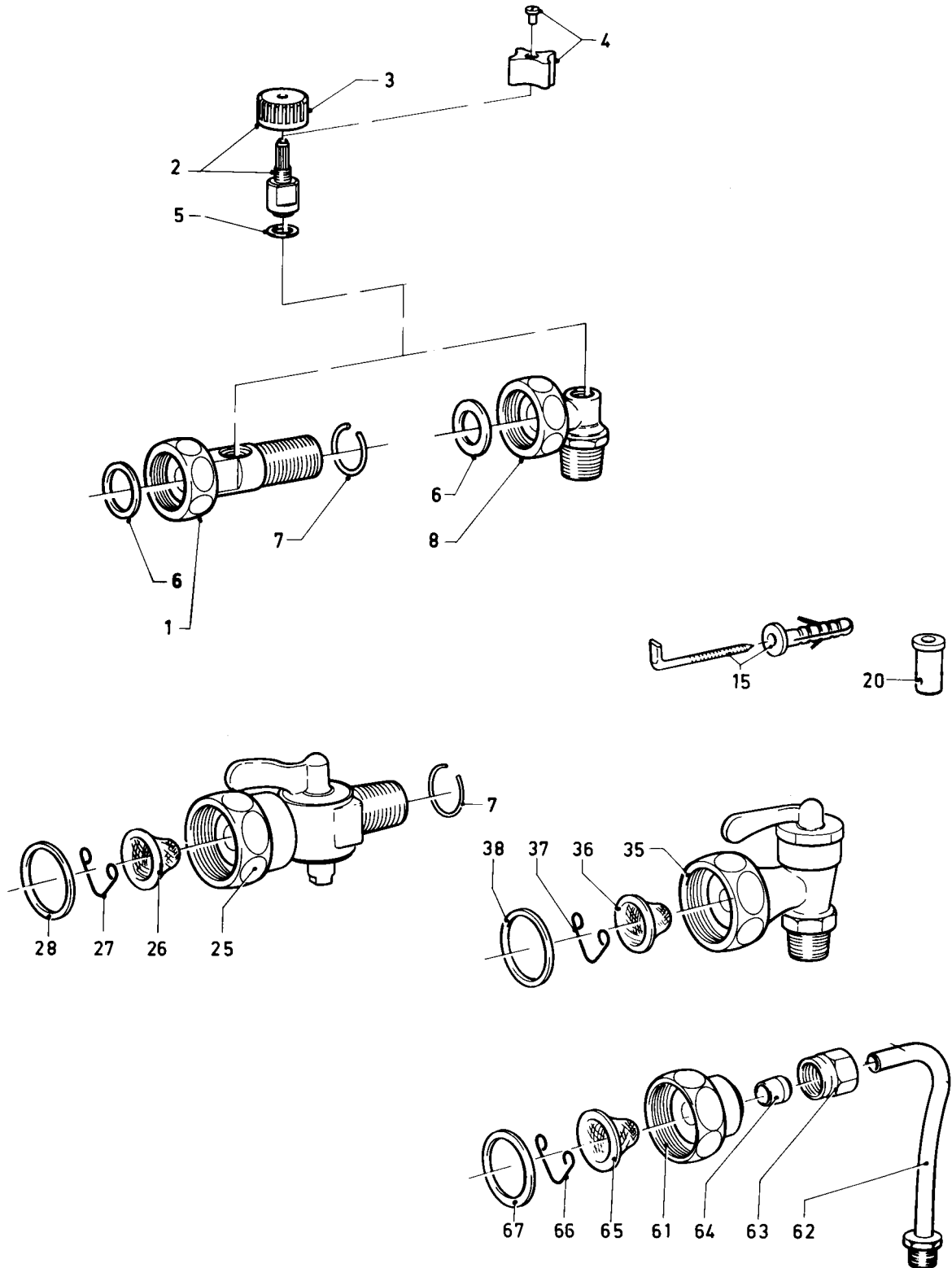
Connetion parts
MAG 250-325/7-8 (incl. sine + N + W)
MAG 400/7-8 (incl. W)

66 - 67

Acc.-connection parts
MAG 250-400/7-8 (incl. sine + W)

68 - 69

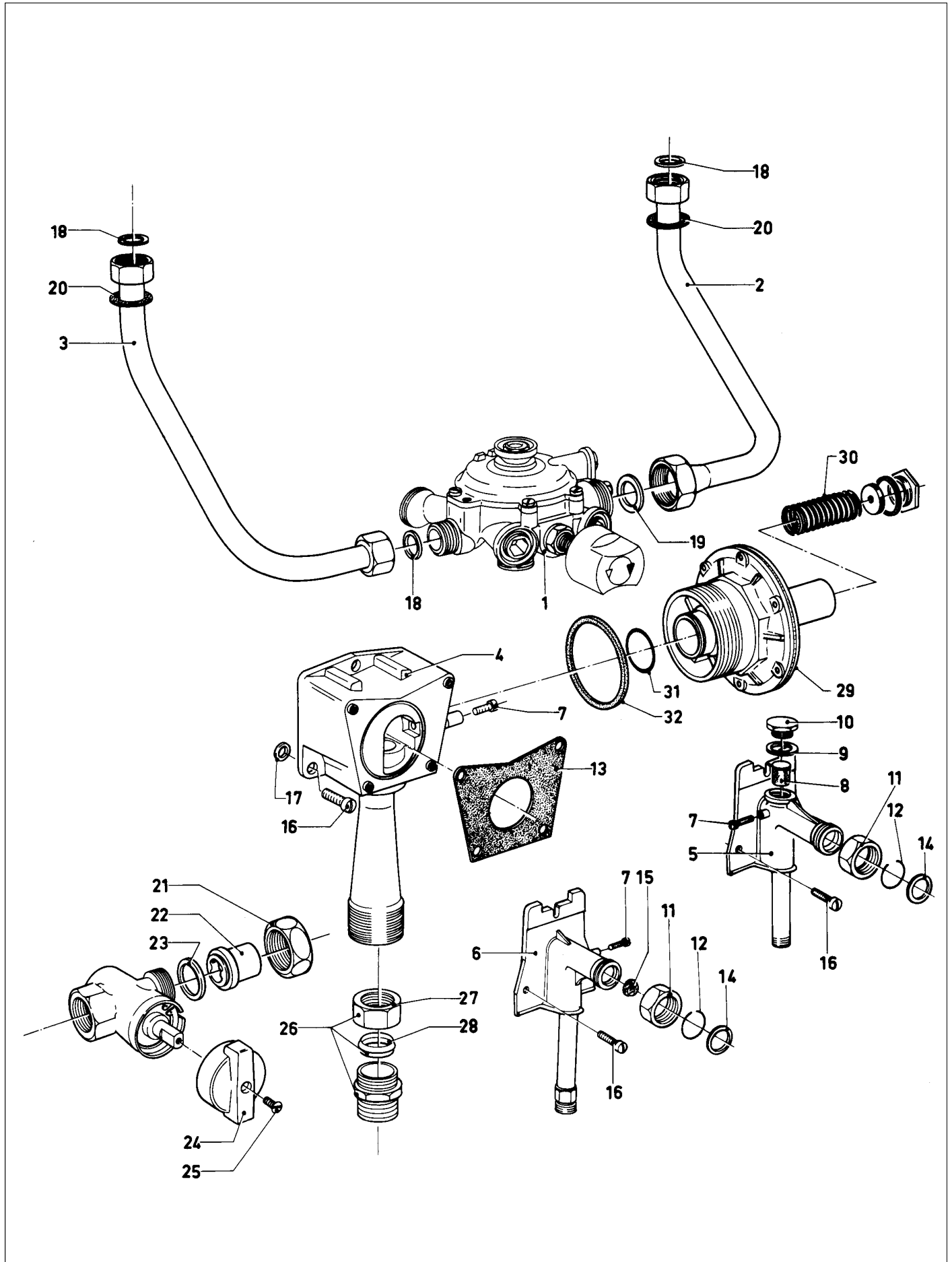
Main component 08 Connection parts
MAG 125/7-8, 7.1



Main component 08 Connection parts MAG 125/7-8, 7.1

Pict. No.	Article-No.	Part	Indic.	Type, Remarks
				H = Natural gas, B = LP-gas, S = Town gas
1	08-1712	connection		supplied with parts 2,3,5,7
2	95-0058	upper part of valve		supplied with parts 3
3	14-3981	knob		
4	-	-		no longer available as a spare part (replaced by 95-0058)
5	98-0184	packingring		
6	98-1511	packingring		
7	95-0195	spring ring		
8	95-0038	connection		supplied with parts 2,5
15	08-8609	fastening set		
20	95-0071	socket		H,B
	95-0070	socket		S
25-28	-	-		not necessary for british appliances execution
35	08-2733	gas shut-off valve		supplied with parts 36,37
36	08-0064	gas filter		
37	08-0067	clip		
38	98-0221	packingring		
61	08-0009	screw connection		supplied with parts 65,66
62	08-0039	gas connection		supplied with parts 63,64
63	08-0049	sleeve nut		
64	98-0136	packingring		
65	08-0064	gas filter		
66	08-0067	clip		
67	98-0221	packingring		

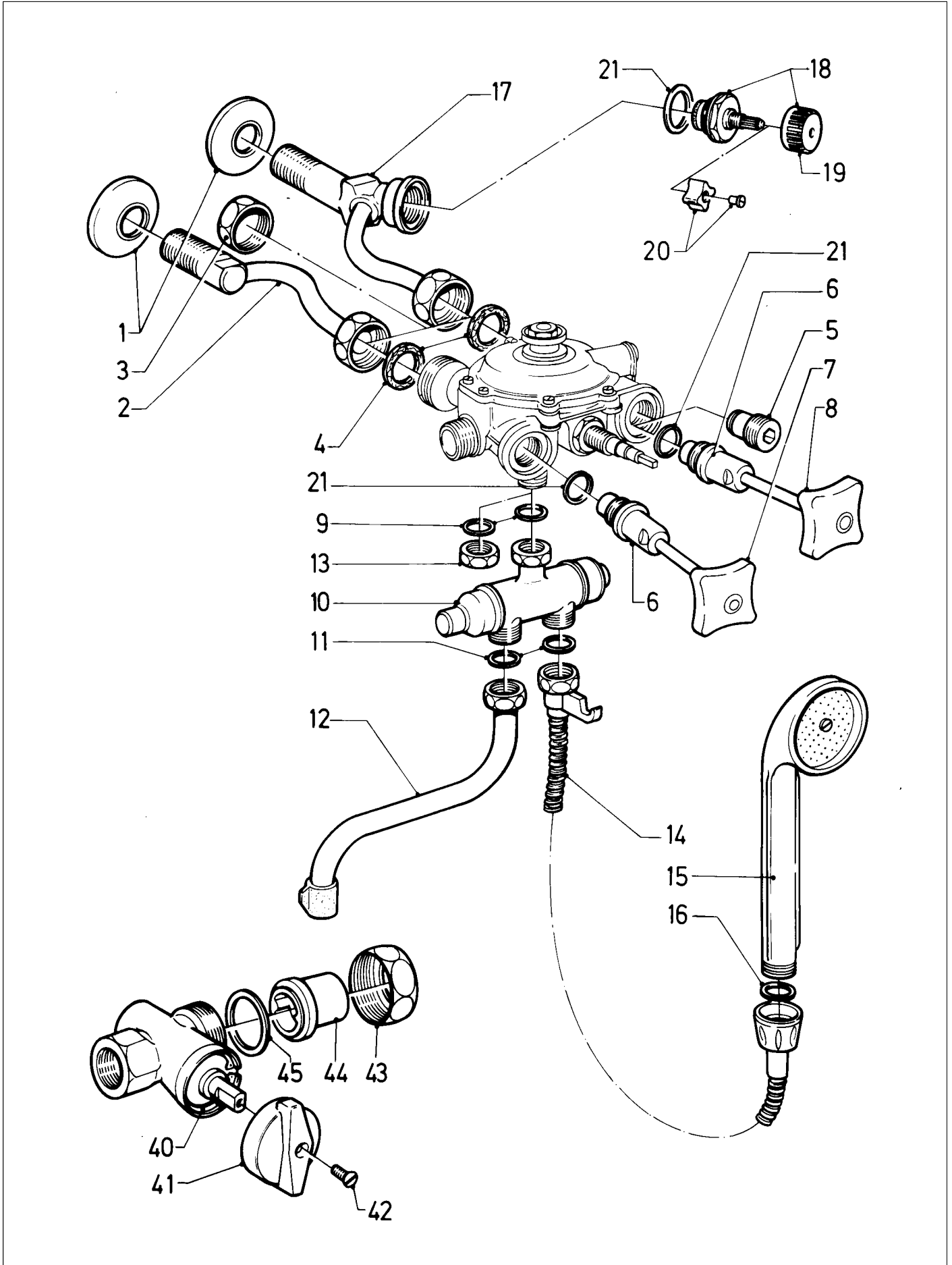
Main component 08 Connetion parts
MAG 250-325/7-8 (incl. sine + N + W)
MAG 400/7-8 (incl. W)



Main component 08 Connetion parts
MAG 250-325/7-8 (incl. sine + N + W)
MAG 400/7-8 (incl. W)

Pict. No.	Article-No.	Part	Indic.	Type, Remarks
				S = Towns gas, H = Natural gas, B = LP-gas
1	-	water valve		see main component 01
2	08-3733 08-0082 08-3799	cold water tube cold water tube cold water tube		250/7-8 (incl. sine + W) supplied with part 20 250/7-8 N (incl. sine) 325/7-8 (incl. sine + W) supplied with part 20 400/7-8 (incl. W)
3	08-0084 08-3921 08-3965	cold water tube warm water tube warm water tube		325/7-8 N (incl. sine) 250/7-8 (incl. sine + W) } 325/7-8 (incl. sine + W) } supplied with part 20 400/7-8 (incl. W)
4	08-2508 08-2554 08-2507 08-2555 08-2541 08-2562 08-2513 08-2563 08-2510 08-1393 08-2741 13-7439	gas connection gas connection gas connection gas connection gas connection gas connection gas connection gas connection gas connection connection tube cpl. gas shut-off valve tube		250/8 S 250/8 W S 325-400/8 S 325/8 W S sine 250/8 S,H sine 250/8 W S sine 325/8 S,H sine 325/8 W S sine 250-325/8 B } for sine 250-325/7-8 H (incl. W)
5	08-2527 08-2553 08-2538	gas connection gas connection gas connection		250-325/7 H (incl. W) } 400/7 H (incl. W) } supplied with part2 7-12 sine 250-325/7 W H
6	08-0008	gas connection		250-400/7 B (incl. sine + W)
7	04-0038	screw		
8	10-8921	gas filter		
9	98-1756	packingring		
10	13-7262	plug		
11	11-1344	sleeve nut		
12	08-0063	spring ring		
13	98-0757	packingring		
14	98-0221	packingring		
15	10-8905	gas filter		
16-17	23-5727	screw		
18	98-1508	packingring		
19	98-1511	packingring		
20	98-0765	packingring		sine 250-325/7-8 (incl. W)
21-28	-	-		not necessary for british appliances execution
29	05-0139 05-0140	regul.of gaspressure regul.of gaspressure		250/8 W S (incl. sine) 325/8 W S (incl. sine)
30	20-1364 10-4246	spring spring		S H
31	98-2473	packingring		
32	98-1896	packingring		

Main component 08 Acc.-connection parts
MAG 250-400/7-8 (incl. sine + W)



Main component 08 Acc.-connection parts MAG 250-400/7-8 (incl. sine + W)

Pict. No.	Article-No.	Part	Indic.	Type, Remarks
1	95-0088	rose		
2	95-0029	warm water connection		through in the wall connection
	08-1138	warm water connection		on the wall connection
3	95-0017	cap		
4	98-1511	packingring		
5	10-9913	shut-off plug		
6	01-2748	top spindle set	set of 2	
7-8	01-2008	handle set	blue + red	
9	98-1508	packingring		
10	95-0183	reversing cock		
11	98-0313	packingring		old execution
	98-0149	o-ring		new execution
12	-	spout	250 mm	see acc.-no. 9060
	-	spout	350 mm	see acc.-no. 9061
	-	spout	500 mm	see acc.-no. 9062
13	95-0020	cap		
14	95-0002	shower tube	1,50 m	
15	08-3208	hand-shower		
16	98-0313	packingring		
17	08-1719	cold water connection		through in the wall connection
	08-1714	cold water connection		on the wall connection } supplied with parts 18,21
18	95-0057	upper part of valve		
19	14-3981	knob		
20	-	-		no longer available as a spare part (replaced by 95-0057)
21	98-1605	packingring		
40-45	-	-		not necessary for british appliances execution
				Note: Water connection pack Acc.no. 000351 supplied with parts 2,4,17,18,21