

# VAILLANT SPARE PART CATALOGUE

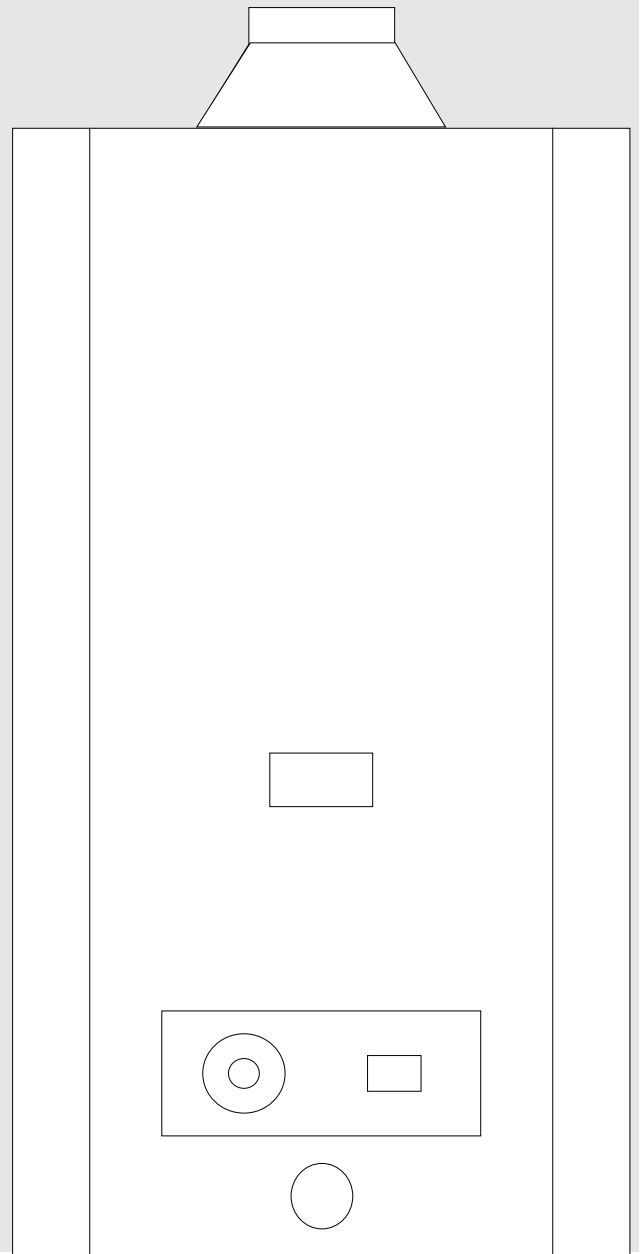
Instantaneous gas water heaters

MAG 275-440/9 W

MAG 275-440/9 XW

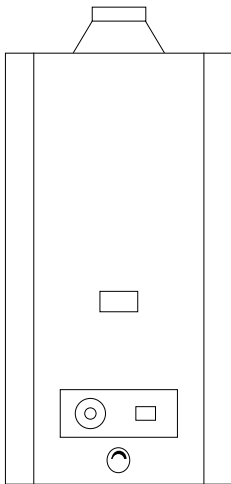
MAG-sine 250-325/9 W

MAG-sine 325/10 V

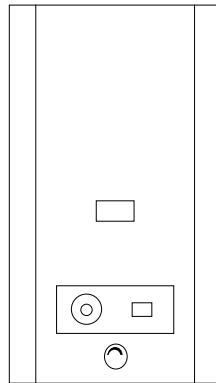


8026 61 GB 09/96

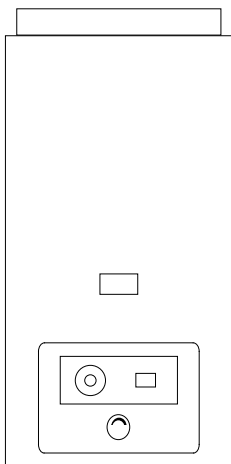
## View of appliances



MAG 275/9 W B  
 MAG 275/9 XW B  
 MAG 350/9 W B  
 MAG 350/9 XW B  
 MAG 440/9 W B  
 MAG 440/9 XW B



MAG-sine 250/9 W H,B

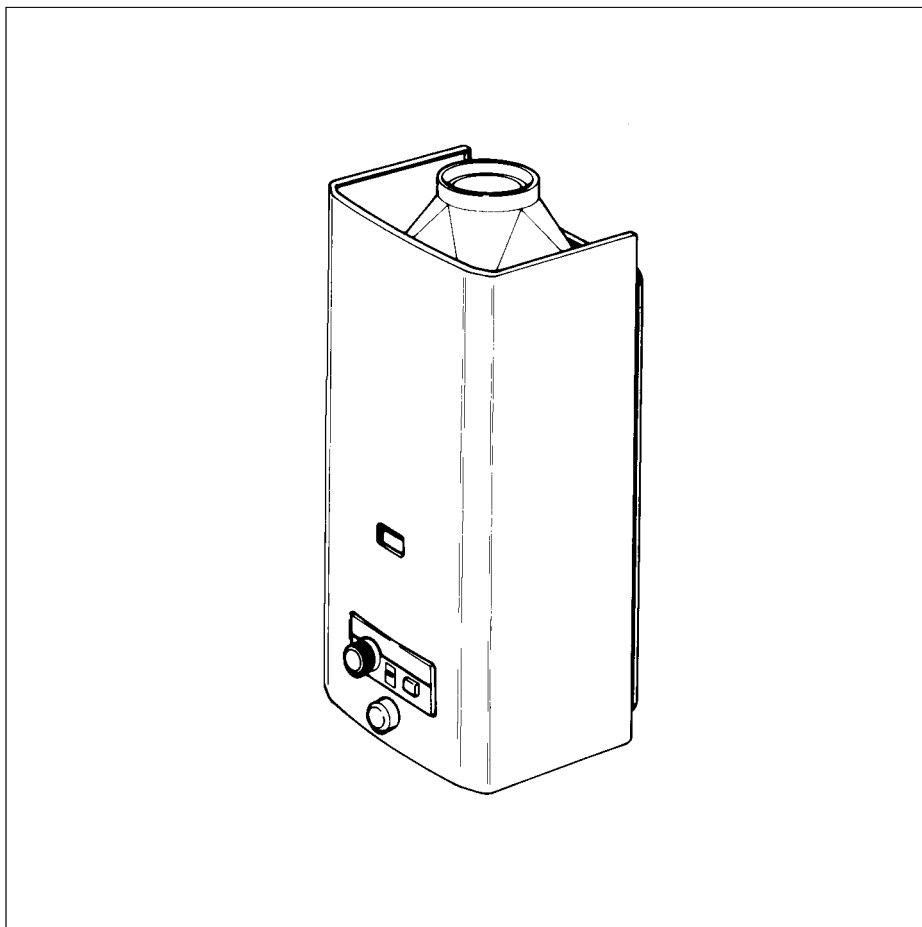


MAG-sine 325/9 W H,B  
 MAG-sine 325/10 V S

## Content

	<b>Page</b>
<b>General view sheets</b>	3 - 6
<b>Main component 01/02</b> Gas/Water Section	7 - 11
<b>Main component 03</b> Gas quantity governor, Gas regulator	13 - 15
<b>Main component 04</b> Burner, pilotburner, thermo-couple, temperature limiter	17 - 25
<b>Main component 06</b> Heat exchanger	27 - 29
<b>Main component 07</b> Enamelled parts, wall case	31 - 39
<b>Main component 08</b> Connection parts, Acc.-connection pack parts	41 - 45

## General view sheets



MAG 275-440/9 W, XW

**Page**

4

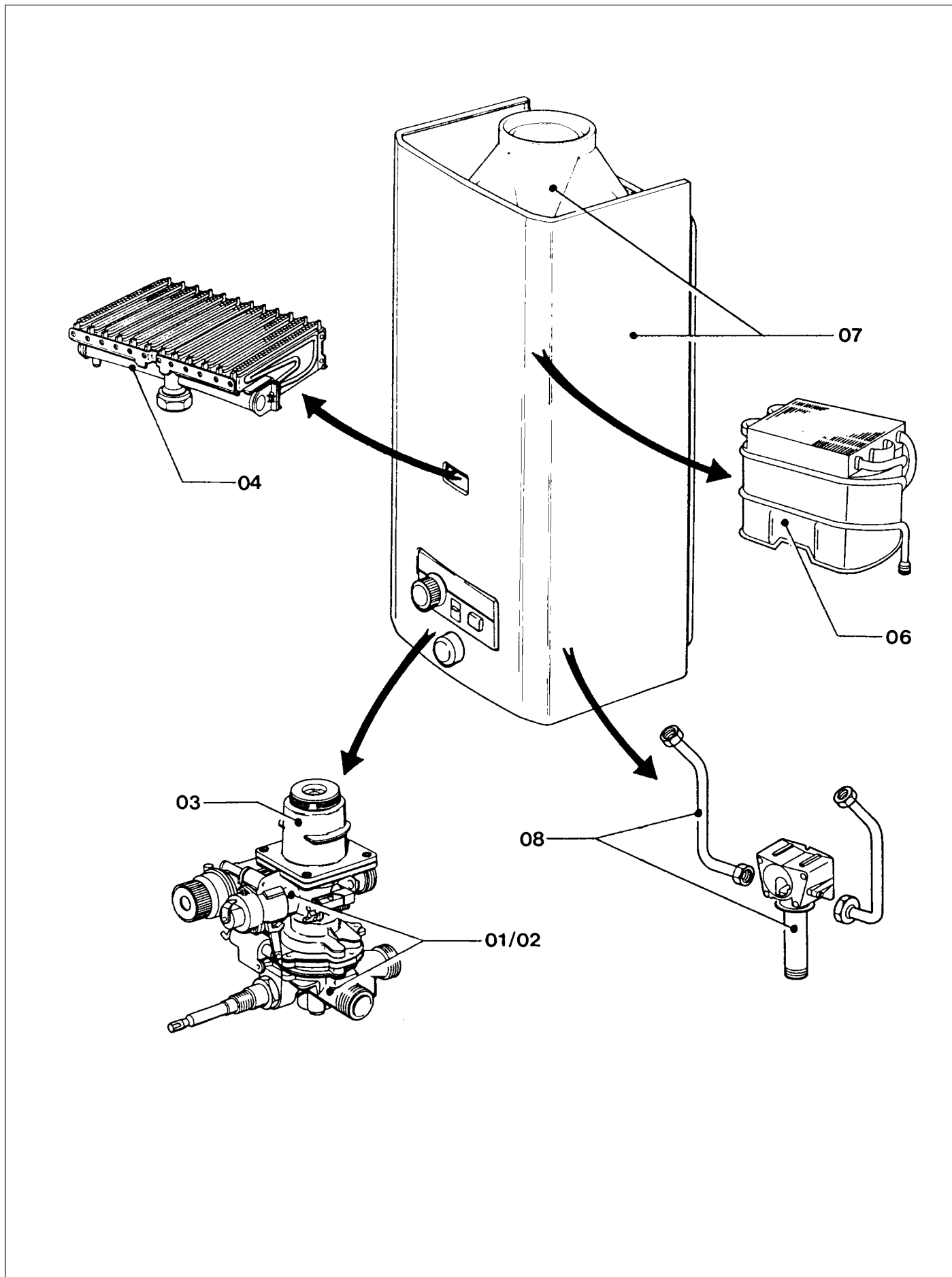
MAG-sine 250/9 W

5

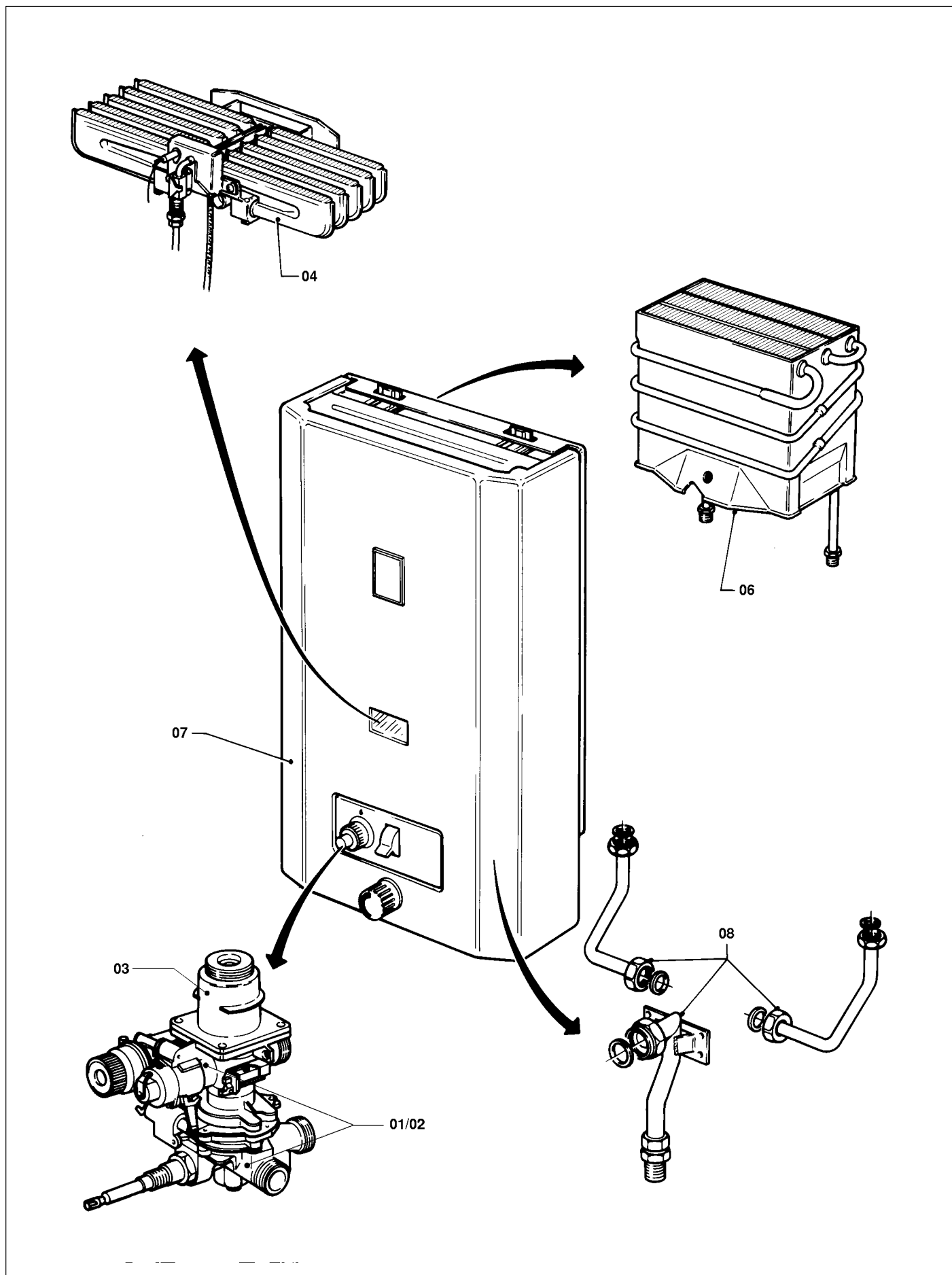
MAG-sine 325/9 W, MAG-sine 325/10 V

6

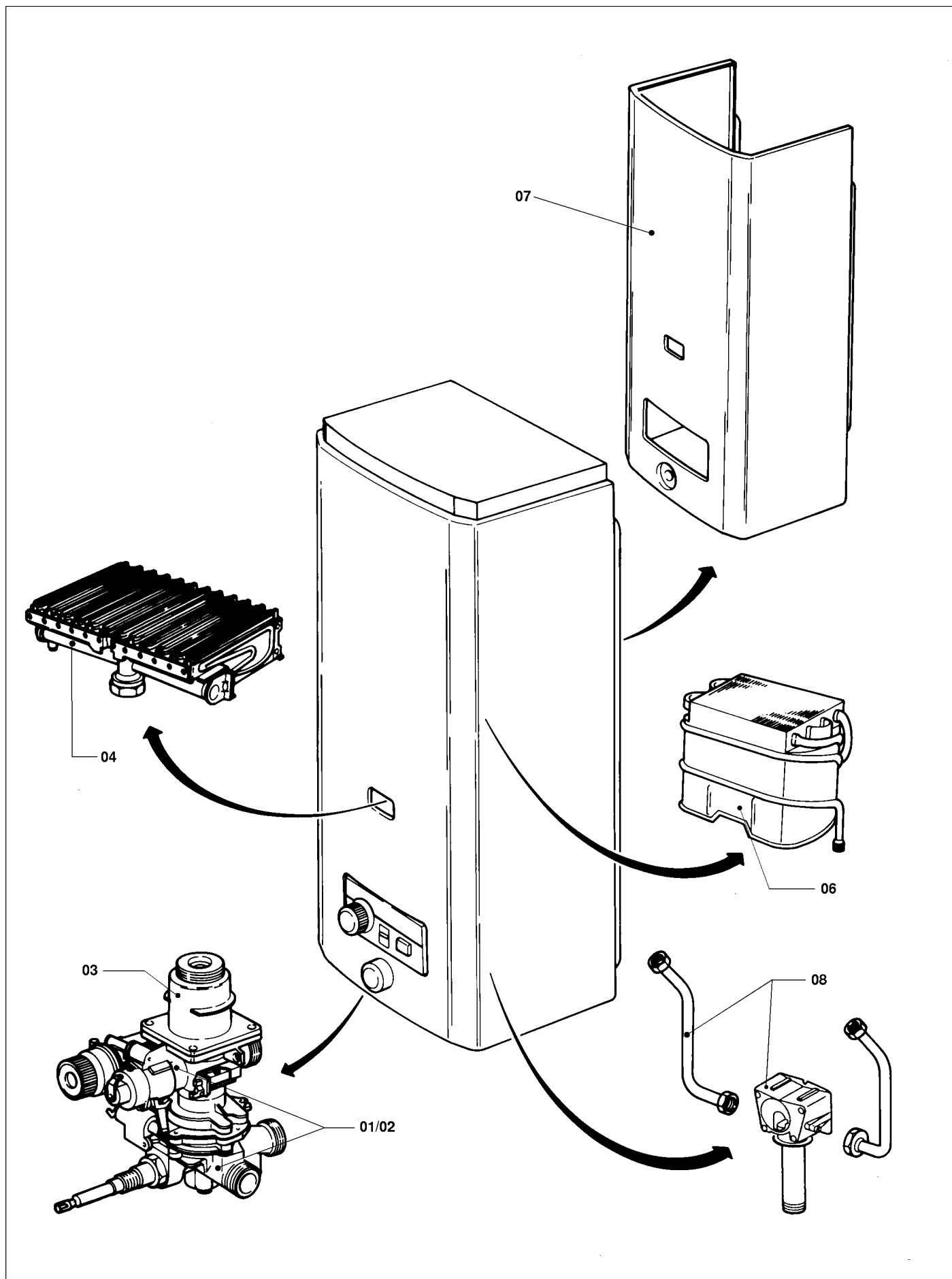
# General view sheets MAG 275-440/9 W, XW



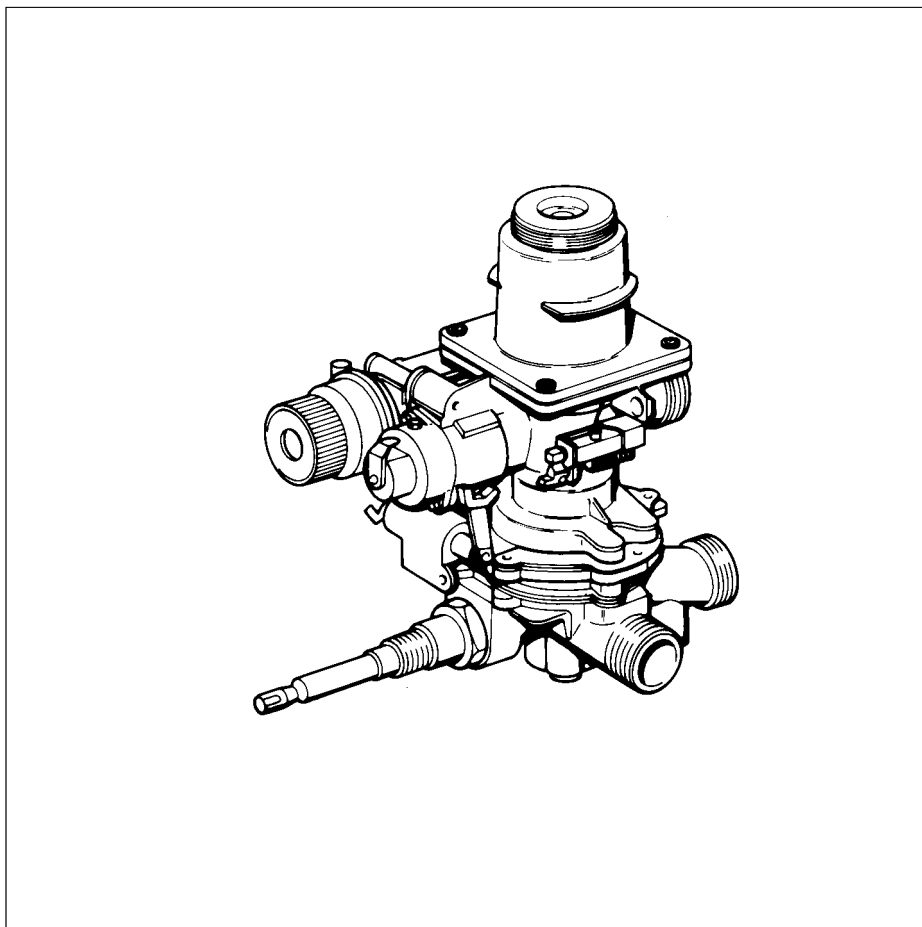
# General view sheets MAG-sine 250/9 W



# General view sheets MAG-sine 325/9 W, MAG-sine 325/10 V



## Main component 01/02

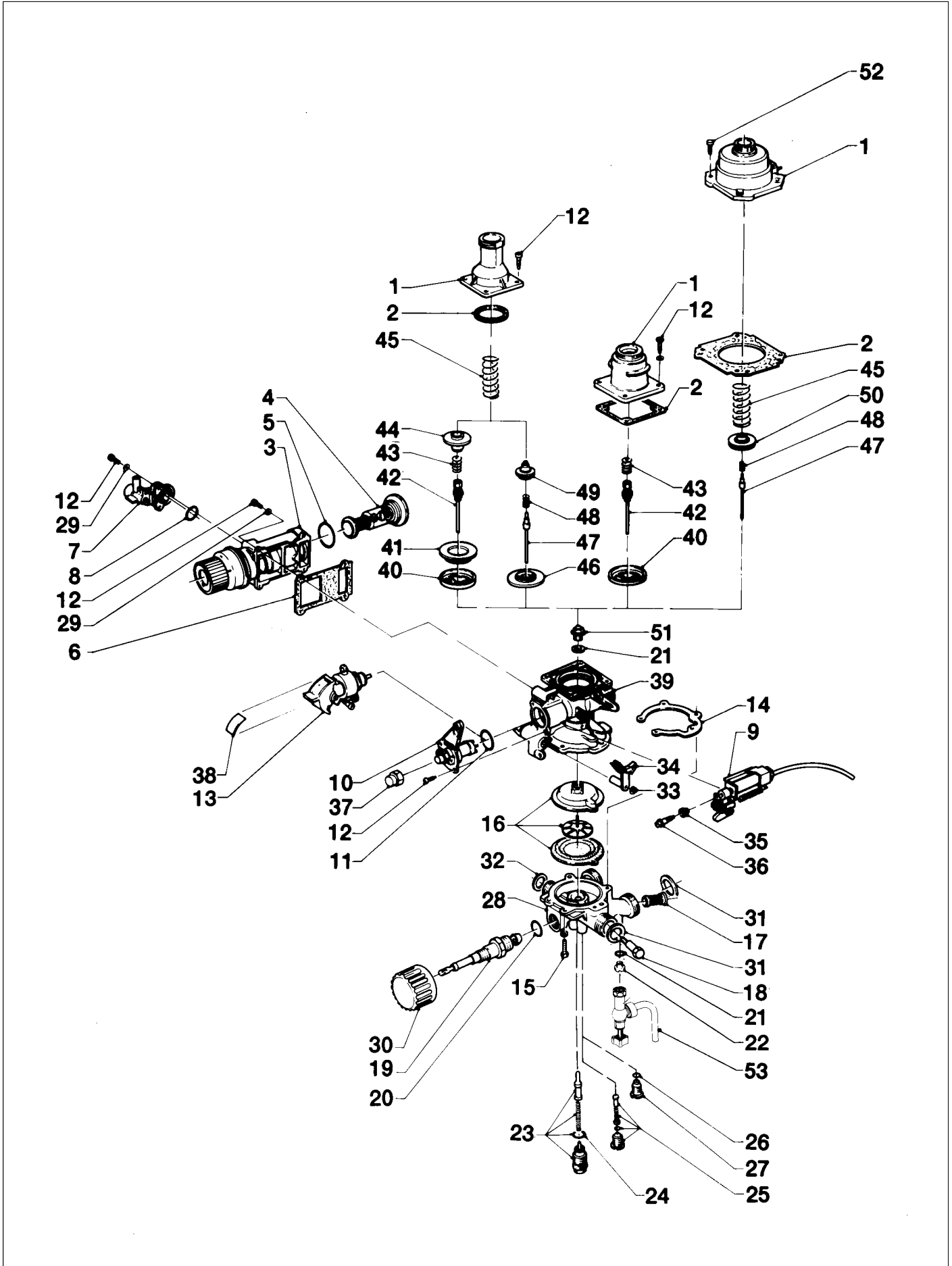


Gas/Water Section  
MAG 275-440/ 9 W B  
MAG-sine 325/10 V S, MAG-sine 250-325/9 W H,B

Page

8 - 11

**Main component 01/02 Gas/Water Section**  
**MAG 275-440/ 9 W B**  
**MAG-sine 325/10 V S, MAG-sine 250-325/9 W H,B**

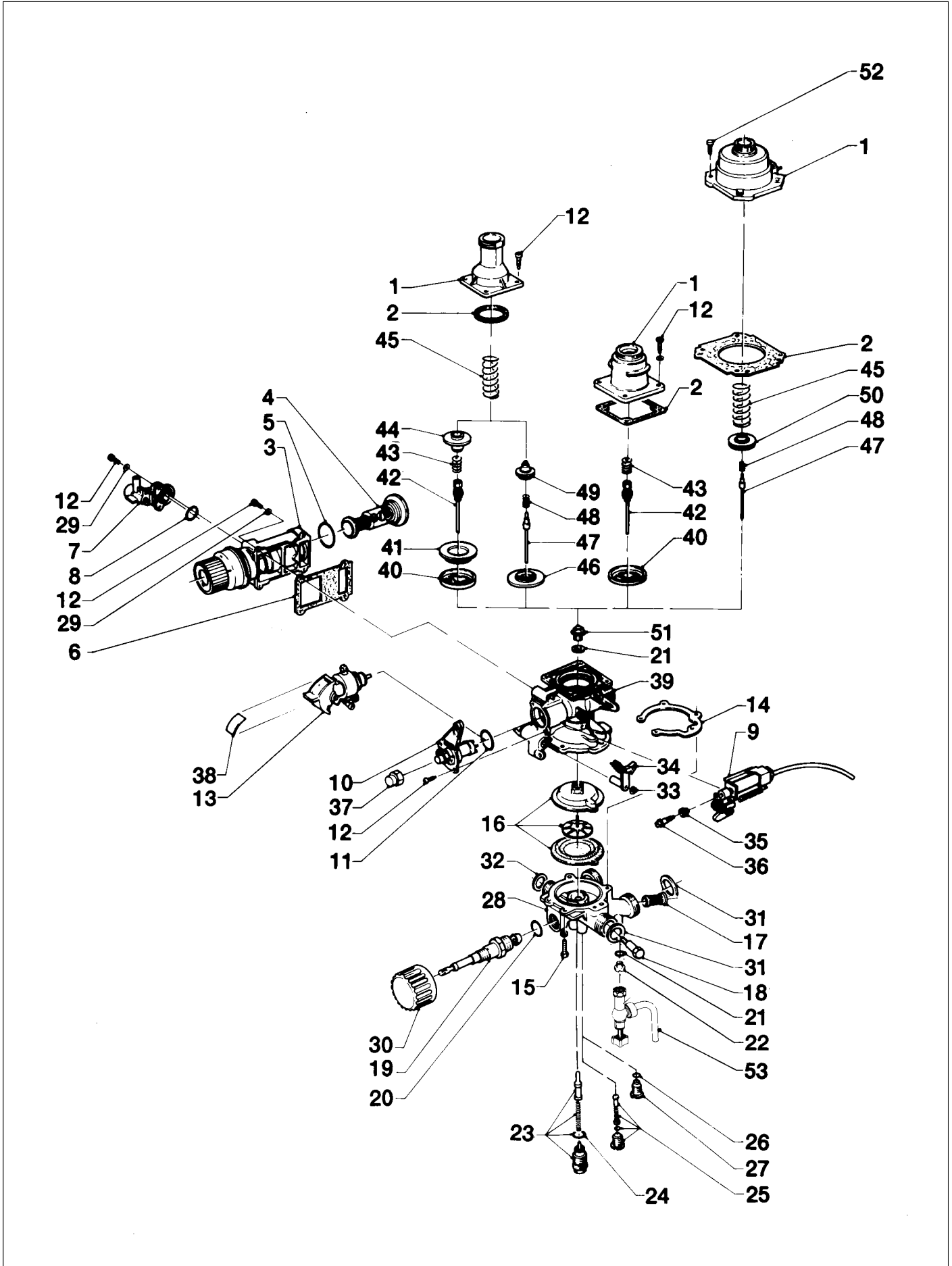




**Main component 01/02 Gas/Water Section**  
**MAG 275-440/ 9 W B**  
**MAG-sine 325/10 V S, MAG-sine 250-325/9 W H,B**

Pict. No.	Article-No.	Part	Indic.	Type, Remarks
	-	-		Ø size, S = town gas, H = natural gas, B = LPG
1-2	-	-		see main component 03
3	19-5044	magneto housing		supplied with parts 4-8,12,29
4	17-0327	magneto		supplied with part 5
5	98-2310	o-ring		
6	98-0916	packingring		
7	04-3407	pilot gas housing		supplied with parts 8,12,29
8	98-1624	packingring		
9	09-1065	piezo ignition	not shown	sine 250-325/9W H,B
	09-1074	piezo ignition		275-440/9 W B
10	08-2460	flange		275-440/9 W B
	08-2474	flange		sine 250-325/9 W B
	18-3501	gas regulator		sine 250-325/9 W H
11	98-2319	o-ring		
12	11-8936	screw		
13	18-3591	gas regulator		sine 325/10 V S (supplied with part 11)
14	29-2211	gasket ring		supplied with part 15
15	10-5812	screw		
16	01-0347	diaphragm		
17	12-8516	water filter		
18	01-2854	venturi	Ø 2,10	275/9 W, sine 250/9 W
	01-2837	venturi	Ø 2,40	350/9 W, sine 325/9 W
	01-2819	venturi	Ø 2,80	440/9 W
	01-0063	venturi	Ø 3,78	sine 325/10 V
19	01-2546	temperature selector		275-350/9.,sine 250-325/9
	01-2548	temperature selector		440/9
20	98-2497	packingring		supplied with part 20
21	98-1506	packingring		
22	01-0050	screw		
23	01-2946	water quantity regulator		
24	98-0287	packingring		
25	20-3030	piston	yellow	275/9 W
	20-3031	piston	green	350/9-10 W
	20-3032	piston	blue	440/9 W
	20-3037	piston	red	sine 250/9 W
	20-3038	piston	grey	sine 325/9 W
26	98-2484	packingring		
27	10-9918	plug		sine 325/10 S V (supplied with part 26)
28	01-3512	lower part		
29	06-0036	spring ring		
30	14-3980	knob		
31	98-1511	packingring		
32	98-1508	packingring		
33	11-5507	safety disc		
34	21-3448	lever		
35	12-4889	bush		
36	13-3924	screw		
37	20-4089	cap		sine 250-325/9 W H
38	20-9546	cover		sine 325/10 V S

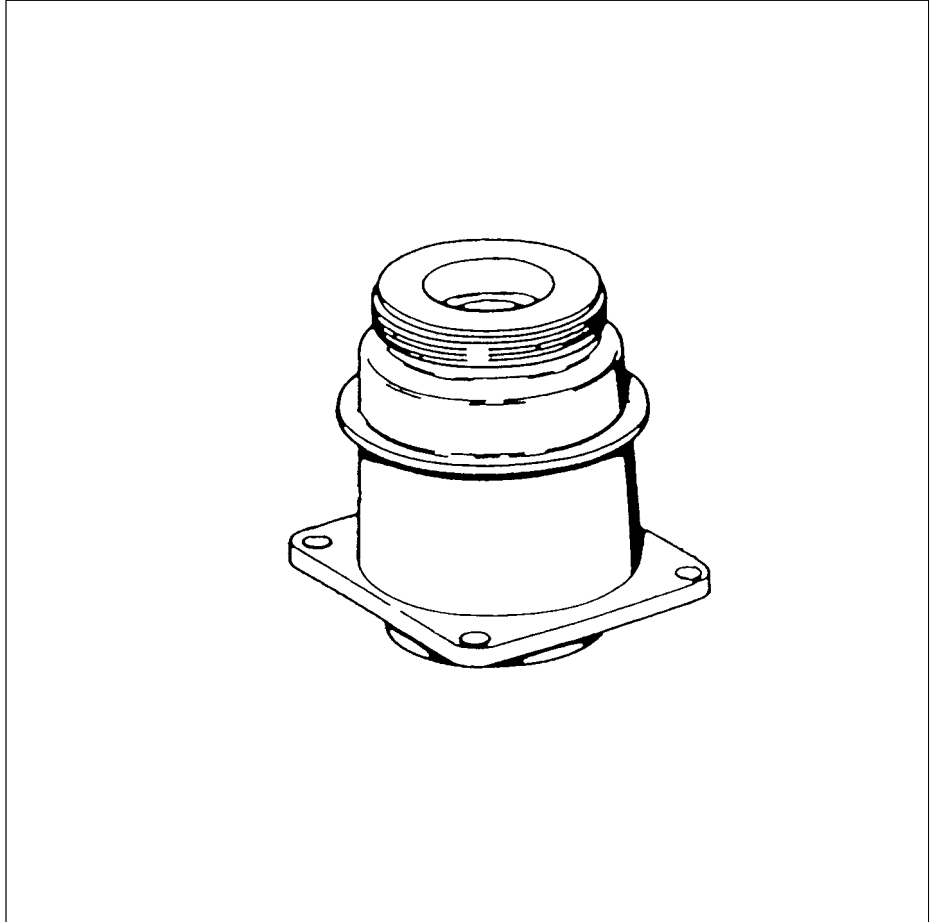
**Main component 01/02 Gas/Water Section**  
**MAG 275-440/ 9 W B**  
**MAG-sine 325/10 V S, MAG-sine 250-325/9 W H,B**



**Main component 01/02 Gas/Water Section**  
**MAG 275-440/ 9 W B**  
**MAG-sine 325/10 V S, MAG-sine 250-325/9 W H,B**

Pict. No.	Article-No.	Part	Indic.	Type, Remarks
39	21-5604	gas section casing		275-440/9 W B, sine 325/10 V S, sine 250-325/9 W B
	21-5605	gas section casing		sine 250-325/9 W H
40	18-3566	guiding bush		275-440/9 W, sine 250-325/9 W
41	-	-		not necessary for British appliances execution
42	10-7831	pin		} 275-440/9 W, sine 250-325/9 W
43	10-4289	spring		
44	-	-		not necessary for British appliances execution
45	10-4151	spring		sine 325/10 V S
46	-	-		not necessary for British appliances execution
47	10-7830	pin		} sine 325/10 V S
48	10-4293	spring		
49	-	-		not necessary for British appliances execution
50	02-0790	water deficiency valve		sine 325/10 V S
51	01-2149	stuffing box		
52	10-5758	screw		
53	01-0120	drain valve		} not shown } only for sine appliances
	01-0118	drain nipple		

## Main component 03



Gas quantity governor, Gas regulator  
MAG 275-440/ 9 W B  
MAG-sine 325/10 V S, MAG-sine 250-325/9 W H,B

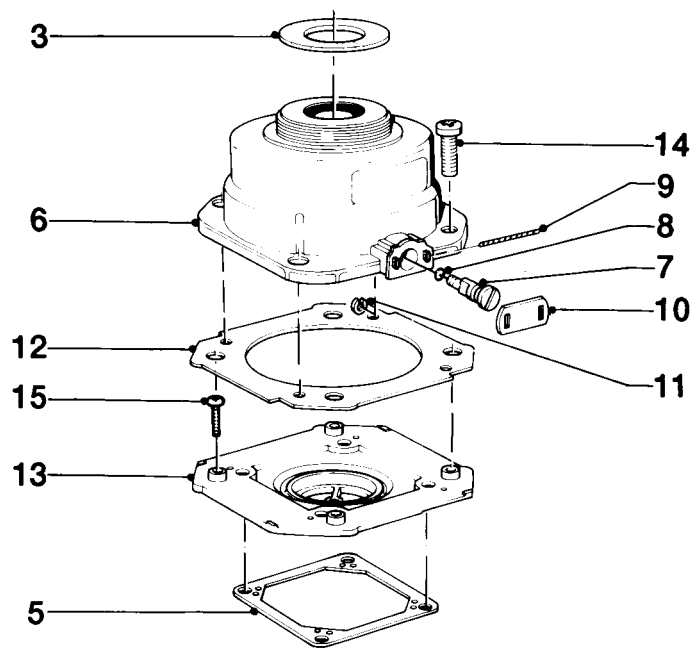
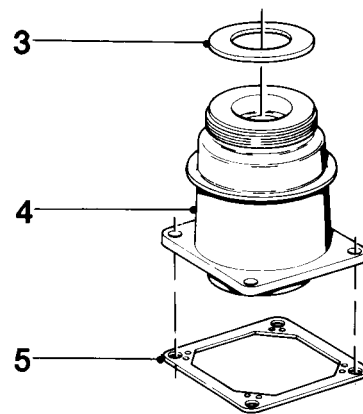
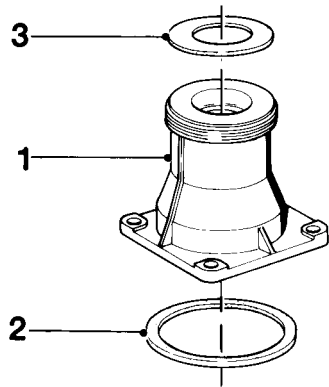
Page

14 - 15

Main component 03 Gas quantity governor, Gas regulator

MAG 275-440/ 9 W B

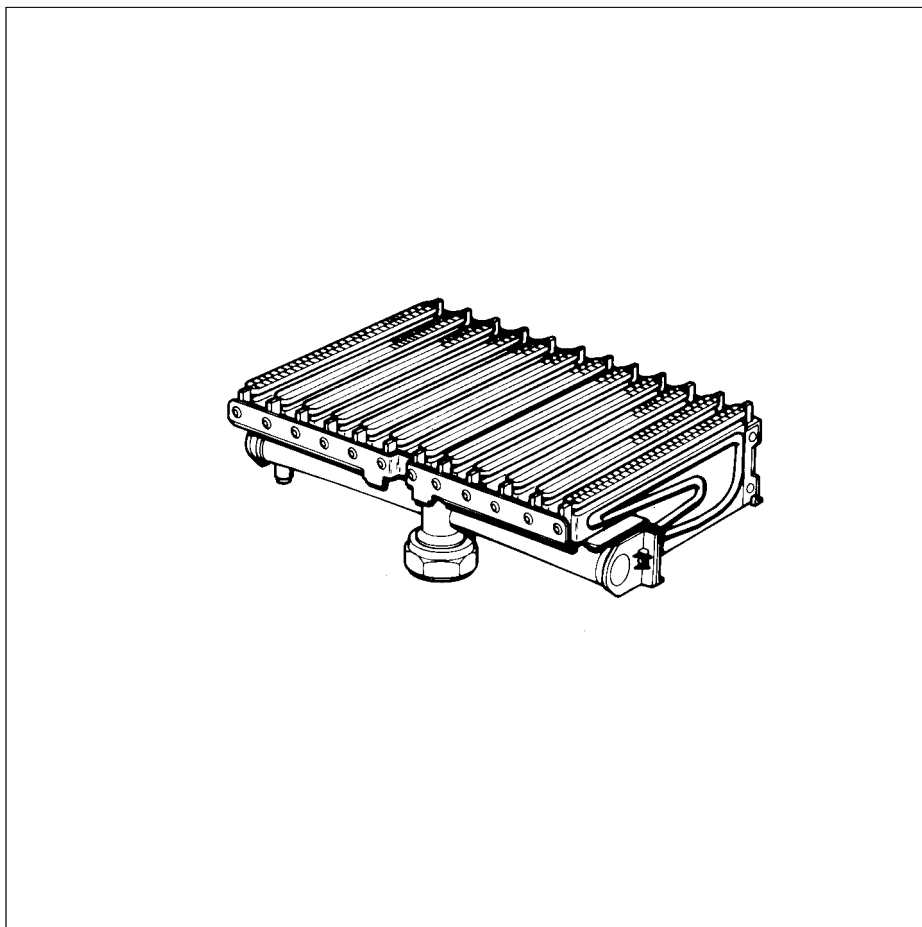
MAG-sine 325/10 V S, MAG-sine 250-325/9 W H,B



**Main component 03 Gas quantity governor, Gas regulator**  
**MAG 275-440/ 9 W B**  
**MAG-sine 325/10 V S, MAG-sine 250-325/9 W H,B**

Pict. No.	Article-No.	Part	Indic.	Type, Remarks
				S = town gas, H = natural gas, B = LPG
1-2				not necessary for British appliances execution
3	98-1512	packingring		
4	08-5644	gas regulator		275/9 W B, sine 250/9 W B 350/9 W B, sine 325/9 W B 440/9 W B sine 250/9 W H sine 325/9 W H <span style="font-size: 2em; vertical-align: middle;">}</span> supplied with parts 3,5
	08-5646	gas regulator		
	08-5652	gas regulator		
	08-5641	gas regulator		
	08-5642	gas regulator		
5	98-0902	packingring		
6	03-1220	gas quantity regulator		sine 325/10 V S (supplied with parts 3,7-12)
7	11-3702	plug		
8	98-2447	packingring		
9	17-3314	wire		
10	28-3007	locking plate		
11	04-0186	tension ring		
12	98-0903	packingring		
13	08-7212	flange		supplied with parts 5,12
14	10-5740	screw		
15	02-0203	screw		

## Main component 04



Burner, pilotburner, thermo-couple, temperarure limiter

MAG 275-440/ 9 W, XW B

**Page**

18 - 19

Burner, pilotburner

MAG-sine 250/9 W H,B

20 - 21

Burner, pilotburner

MAG-sine 325/10 V S, MAG-sine 325/9 W B

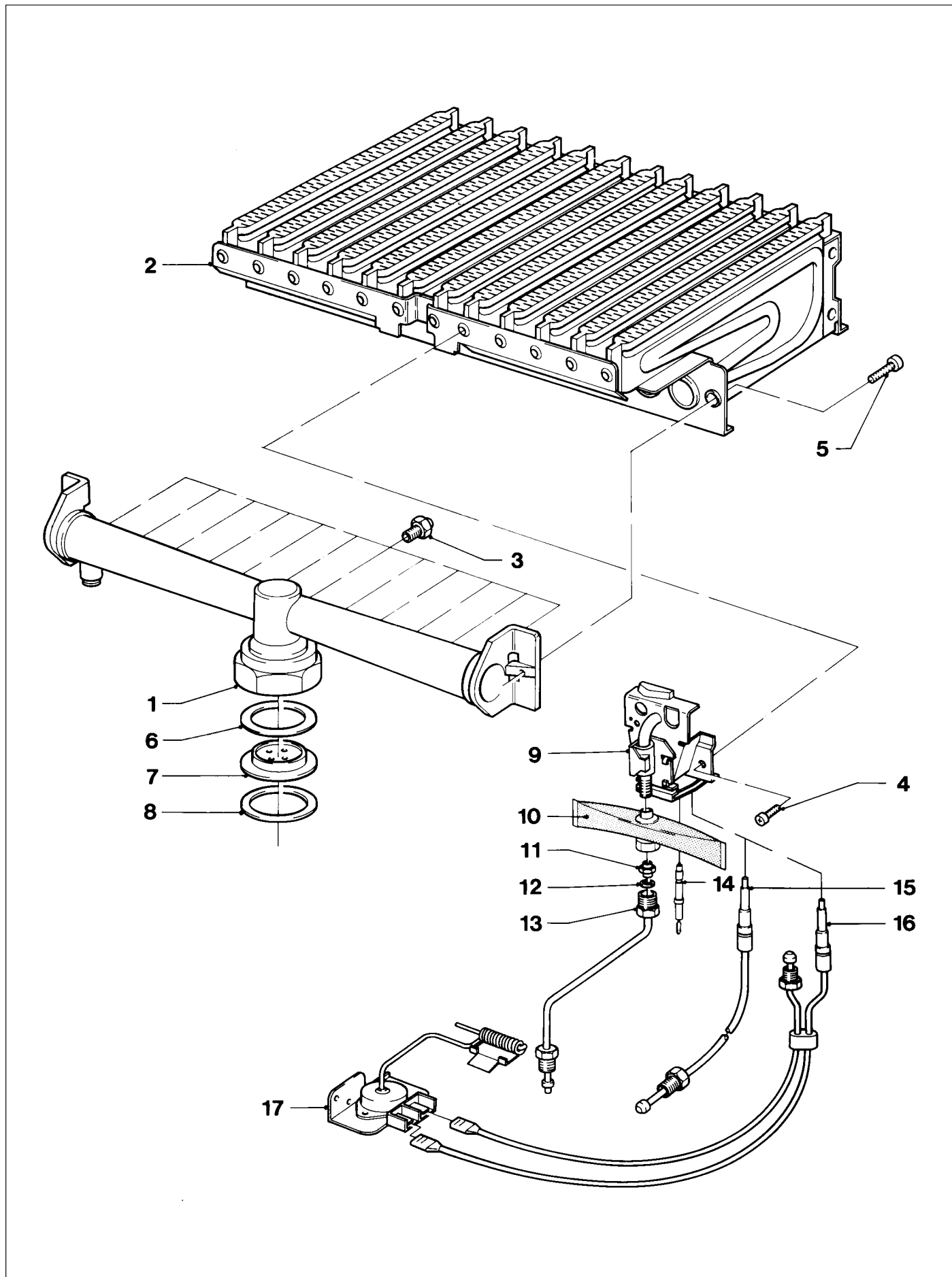
22 - 23

Burner, pilotburner

MAG-sine 325/9 W H

24 - 25

**Main component 04 Burner, pilotburner,thermo-couple, temperature limiter  
MAG 275-440/ 9 W, XW B**

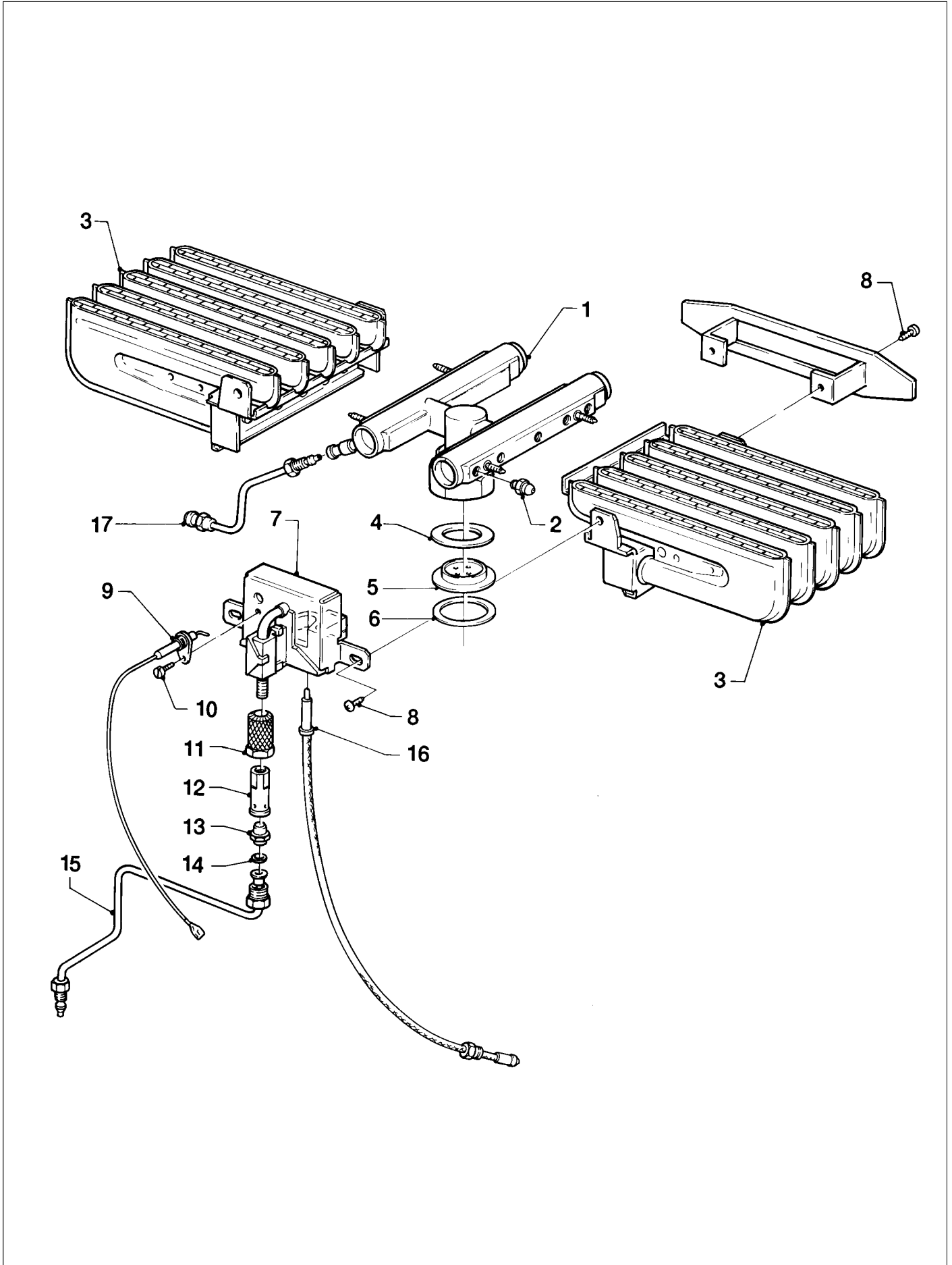




## Main component 04 Burner, pilotburner,thermo-couple, temperature limiter MAG 275-440/ 9 W, XW B

Pict. No.	Article-No.	Part	Indic.	Type, Remarks
				Ø Size, B = LPG
1	12-6586	distributor tube		275/9
	12-6587	distributor tube		350/9
	12-6588	distributor tube		440/9
2	04-1921	burner chamber group		275/9
	04-1922	burner chamber group		350/9
	04-1923	burner chamber group		440/9
3	24-7075	burner nozzle	Ø 0,75	
4	23-5739	screw		
5	10-5777	screw		
6	98-0285	packingring		
7	04-2590	throttle jet	Ø 4,50	275/9
	04-9804	throttle jet	4 x Ø 3,00	440/9
8	98-1512	packingring		
9	04-2110	pilot burner		supplied with parts 4,10,14
10	04-2440	mixing tube		
11	04-2812	pilot burner nozzle	Ø 0,15	
12	98-0225	packingring		
13	04-3954	pilot burner tube		
14	09-0643	ignition electrode		
15	17-1125	thermo-couple		275-440/9 W
16	17-1175	thermo-couple		275-440/9 XW
17	10-0363	temperature limiter		275-440/9 XW (82 <sup>0</sup> C) flue gas sensor

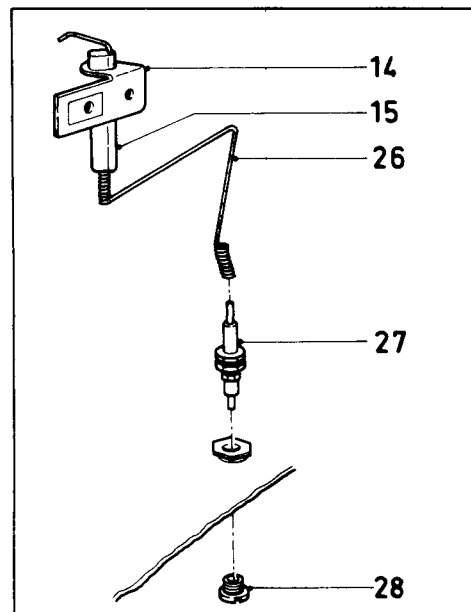
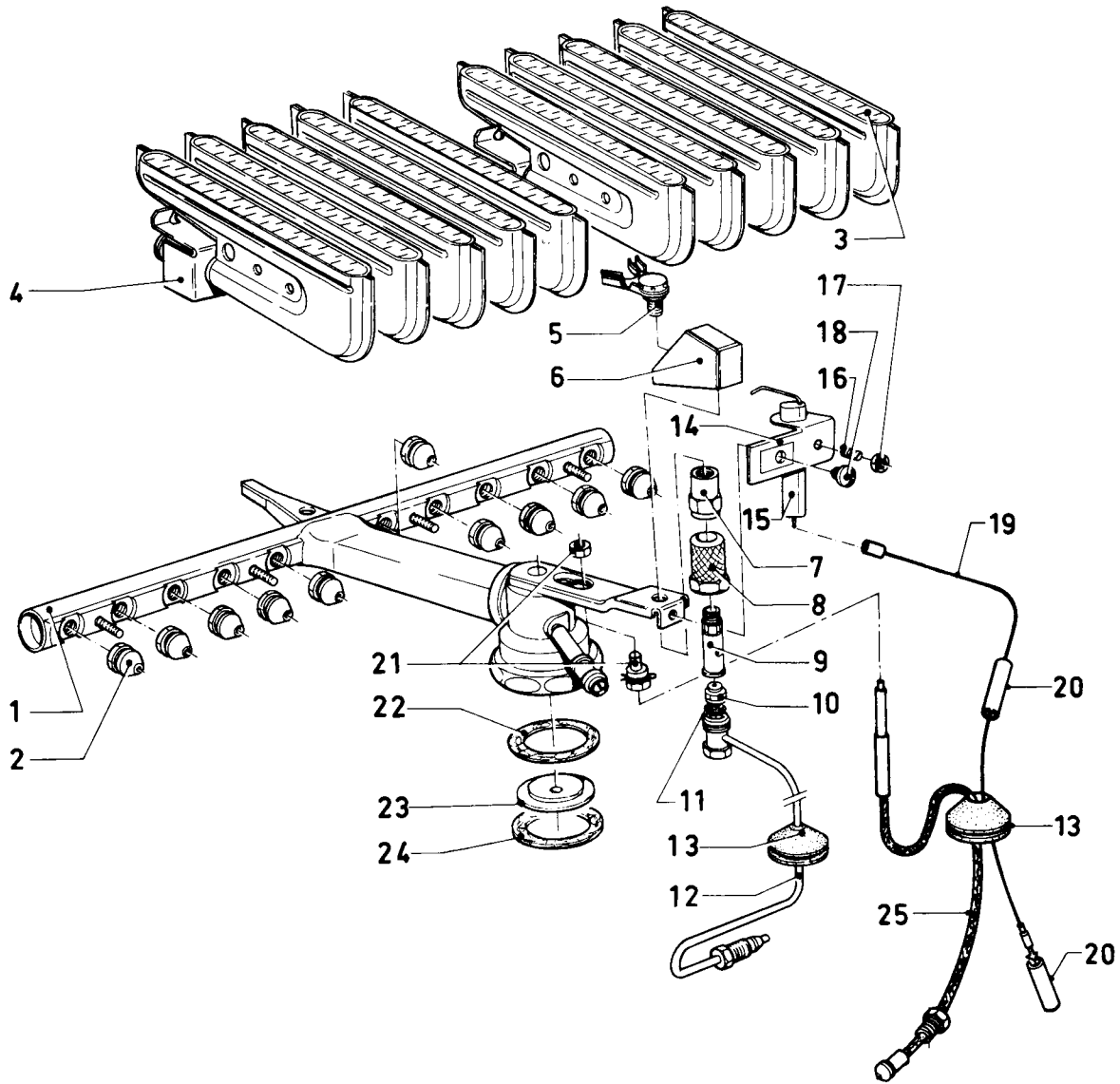
**Main component 04 Burner, pilotburner  
MAG-sine 250/9 W H,B**



## Main component 04 Burner, pilotburner MAG-sine 250/9 W H,B

Pict. No.	Article-No.	Part	Indic.	Type, Remarks
				Ø size, H = natural gas, B = LPG
1	-	-		not available as a spare part
2	04-0093	burner nozzle	Ø 1,20	H
	04-0035	burner nozzle	Ø 0,75	B
3	04-1930	burner chamber group		
4	98-0285	packingring		
5	04-9803	throttle jet	4 x Ø 2,75	H
	04-9806	throttle jet	4 x Ø 3,40	B
6	98-1512	packingring		
7	04-2126	pilot burner		supplied with parts 8-12
8	23-5739	screw		
9	09-0681	ignition electrode		
10	13-9201	screw		
11	15-1619	air filter		
12	04-2427	mixing tube		
13	04-2816	pilot burner nozzle	Ø 0,30	H
	04-0550	pilot burner nozzle	Ø 0,18	B
14	98-0225	packingring		
15	04-3965	pilot burner tube		
16	17-1125	thermo-couple		
17	08-0206	tube		

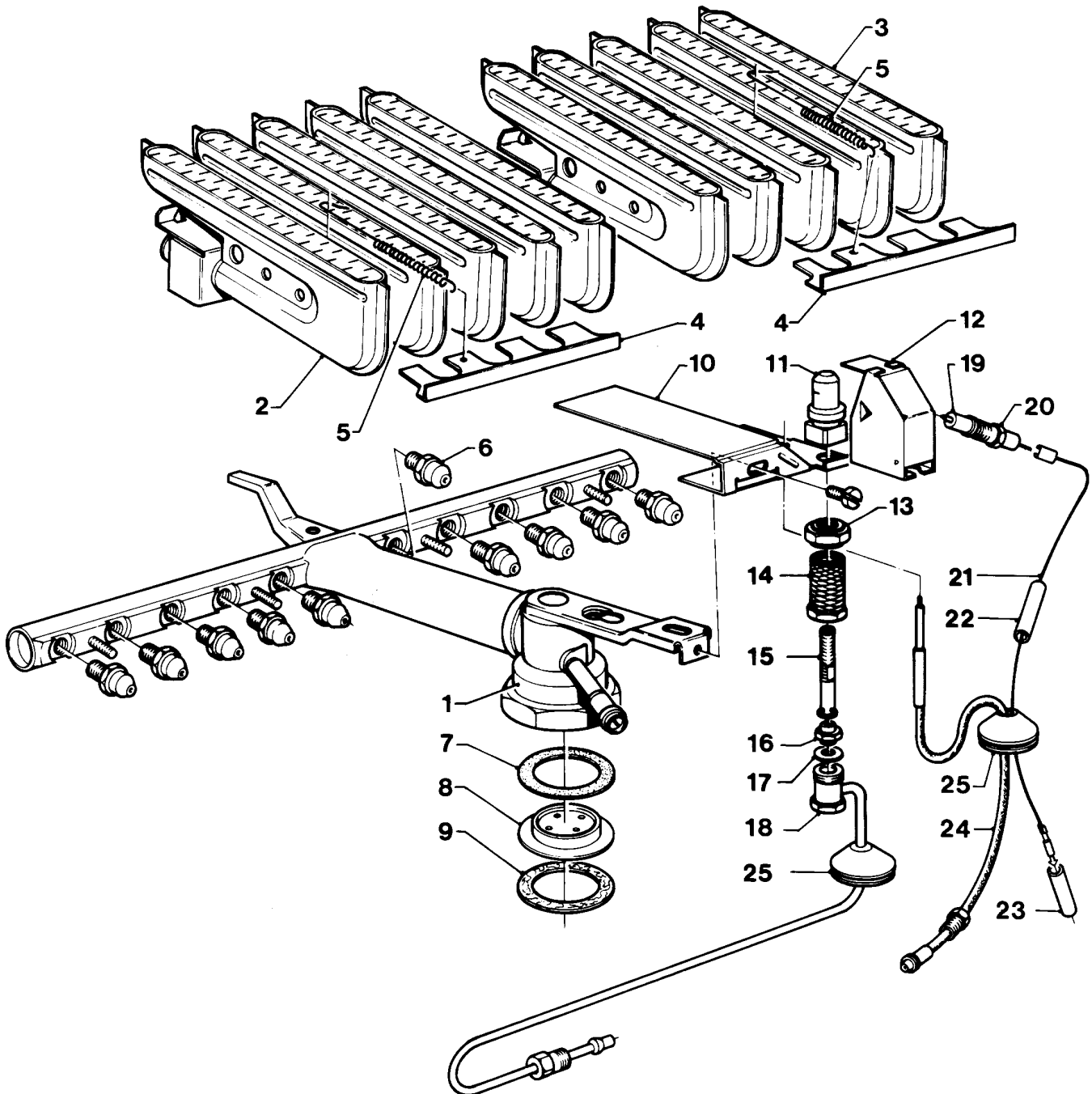
**Main component 04 Burner, pilotburner  
MAG-sine 325/10 V S, MAG-sine 325/9 W B**



**Main component 04 Burner, pilotburner  
MAG-sine 325/10 V S, MAG-sine 325/9 W B**

Pict. No.	Article-No.	Part	Indic.	Type, Remarks
				Ø size, S = town gas, B = LPG
1	-	-		not available as a spare part
2	04-0099	burner nozzle	Ø 2,70	S
	04-0036	burner nozzle	Ø 0,80	B
3	04-0172	burner chamber group,right		S
	04-0166	burner chamber group,right		B
4	04-0171	burner chamber group,left		S
	04-0165	burner chamber group,left		B
5-7	04-3009	pilot burner head		supplied with parts 8,9
8	04-0516	air filter		
9	04-2418	mixing tube		
10	04-0553	pilot burner nozzle	Ø 0,65	S
	04-2857	pilot burner nozzle	Ø 0,23	B
11	98-0225	packingring		
12	04-3960	pilot burner tube		supplied with part 13
13	98-0766	packingring		
14	04-0205	support		
15	04-0192	electrode		
16	04-0212	thread pin		
17	06-0013	nut		
18	06-0018	screw		
19-20	08-9549	connection line		
21	17-3101	snap bush,cpl.		
22-23	-	-		not necessary for British appliances execution
24	98-1512	packingring		
25	17-1140	thermo-couple		supplied with part 13
26-28	-	-		see pict.-no. 19-20, replaced by 08-9549

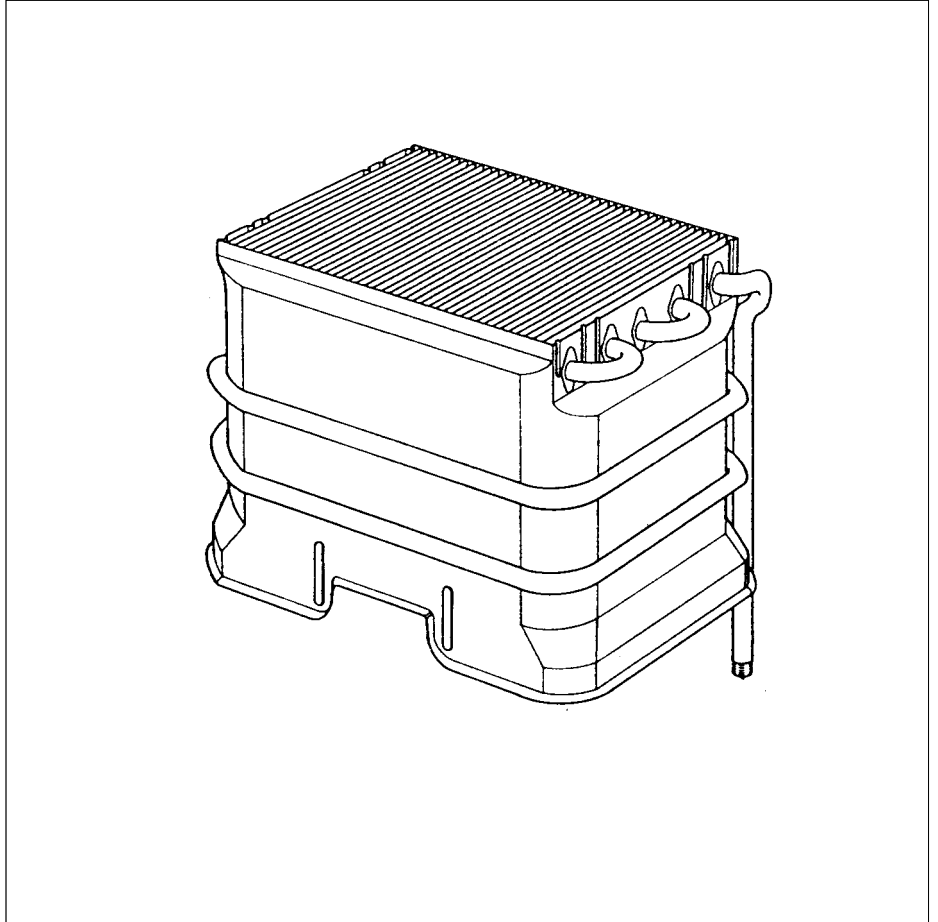
Main component 04 Burner, pilotburner  
MAG-sine 325/9 W H



## Main component 04 Burner, Pilotburner MAG-sine 325/9 W H

Pict. No.	Article-No.	Part	Indic.	Type, Remarks
1	-	-		Ø size, H = natural gas not available as a spare part
2	04-0165	burner chamber group,left		
3	04-0166	burner chamber group,right		
4-5	-	-		not necessary for British appliances execution
6	04-0084	burner nozzle	Ø 1,25	
7	98-0285	packingring		
8	04-9806	throttle jet	4 x Ø 3,40	
9	98-1512	packingring		
10	04-2667	pilot burner		supplied with parts 11-15,19-23,26
11	04-3112	pilot burner head		
12	19-2119	protection sheet		
13	04-0523	nut		
14	04-0516	air filter		
15	04-0531	mixing tube		
16	04-2816	pilot burner nozzle	Ø 0,30	
17	98-0225	packingring		
18	04-3972	pilot burner tube		supplied with part 25
19	09-0518	ignition plug		
20	18-2618	screw		
21-23	08-9549	connection line		
24	17-1140	thermo-couple		supplied with part 25
25	98-0766	packingring		
26	06-0018	screw		

## Main component 06



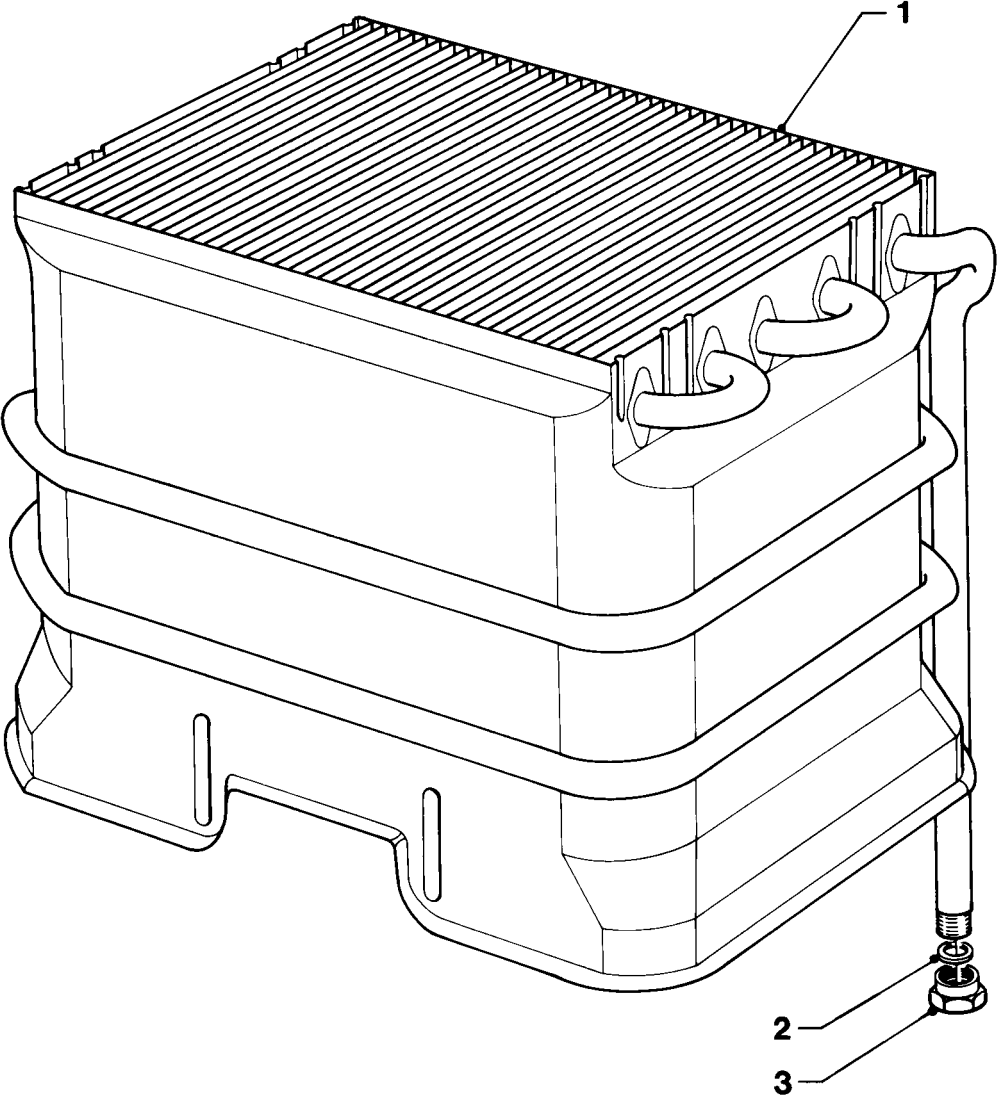
Heat exchanger  
MAG 275-440/9, MAG-sine 250-325/9-10

Page

28 - 29



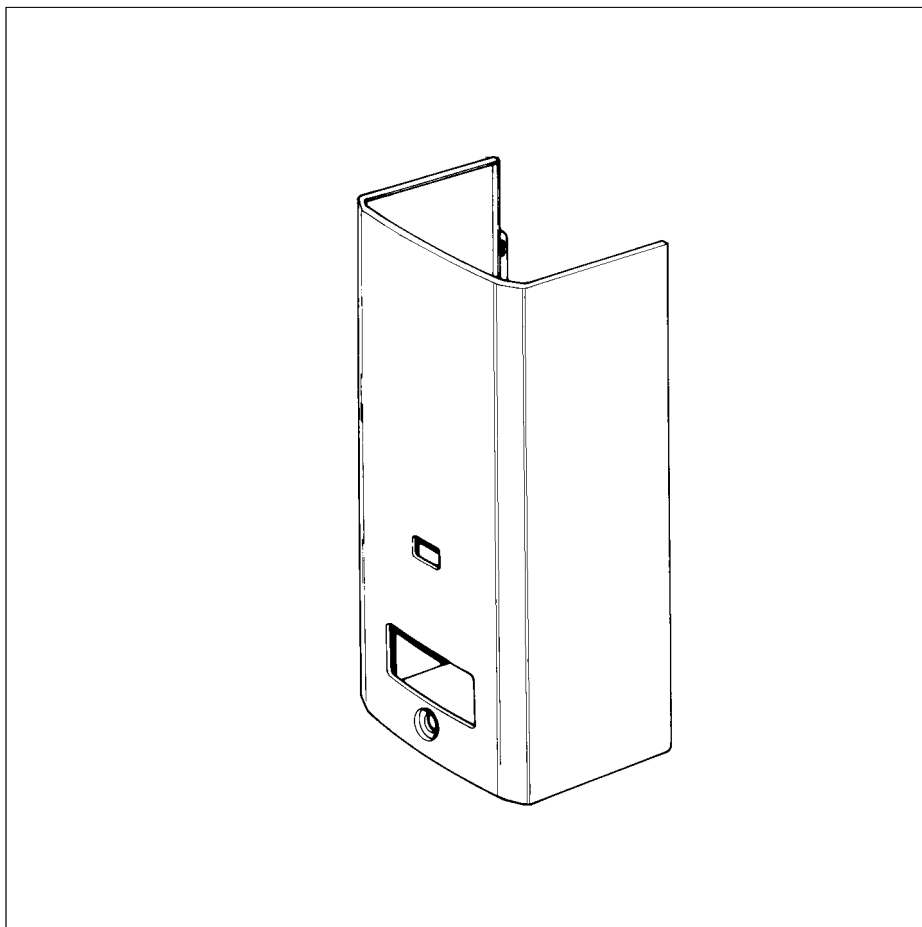
**Main component 06 Heat exchanger**  
**MAG 275-440/9, MAG-sine 250-325/9-10**



**Main component 06 Heat exchanger  
MAG 275-440/9, MAG-sine 250/9, MAG-sine 325/9-10**

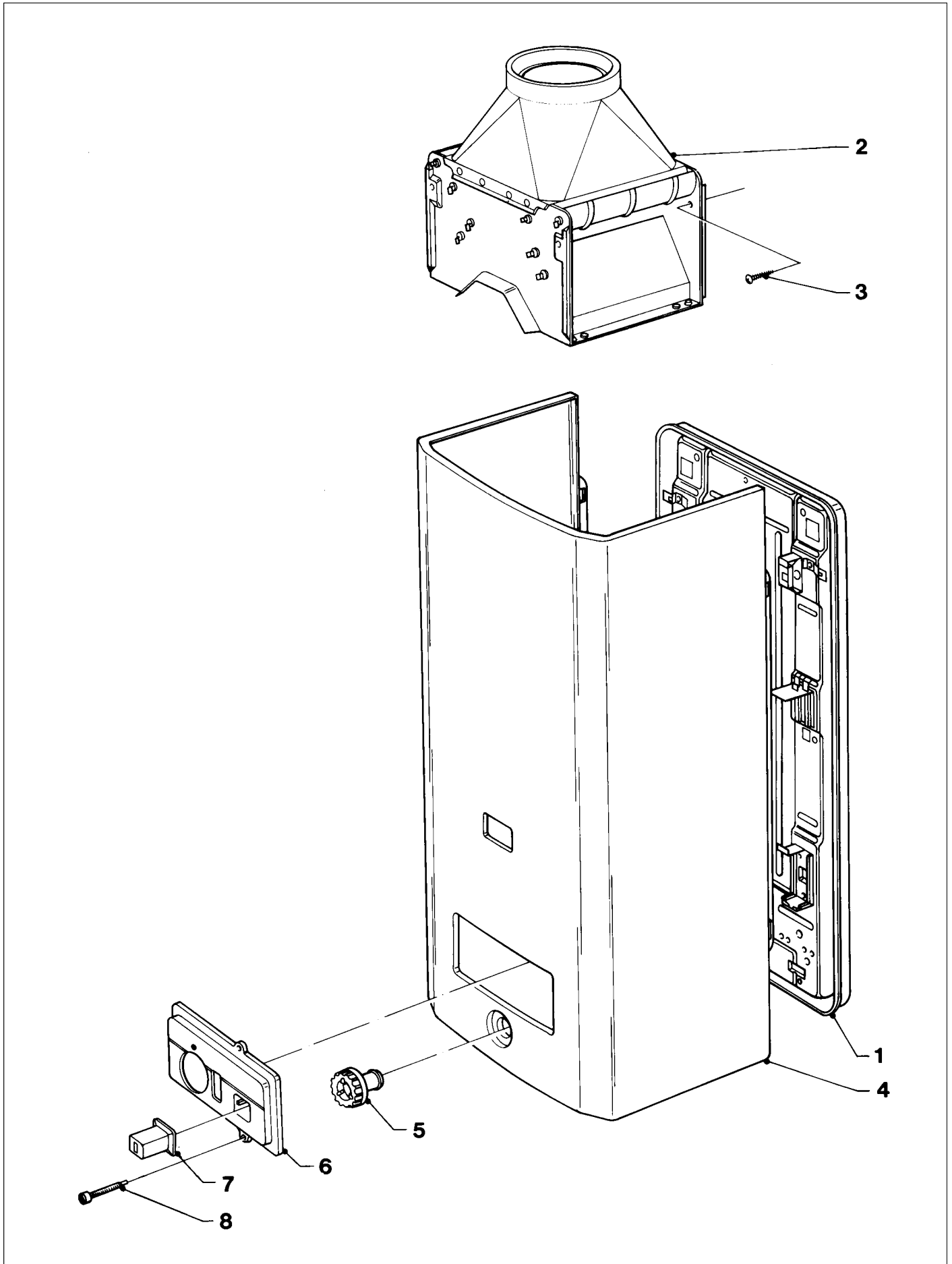
Pict. No.	Article-No.	Part	Indic.	Type, Remarks
1	06-1612 06-1613 06-1614 06-1623 06-1007	heat exchanger heat exchanger heat exchanger heat exchanger heat exchanger		275/9 350/9 440/9 sine 250/9 sine 325/9-10
2	98-1508	packingring		
3	11-4803 08-0537 08-0093	double nut nut double nut		275-440/9 sine 250/9 sine 325/9-10

## Main component 07



	<b>Page</b>
Enamelled parts MAG 275-440/9 W	32 - 33
Enamelled parts MAG-sine 250/9 W	34 - 35
Enamelled parts MAG-sine 325/10 V, MAG-sine 325/9 W	36 - 37
Wall case MAG-sine 325/10 V, MAG-sine 325/9 W	38 - 39

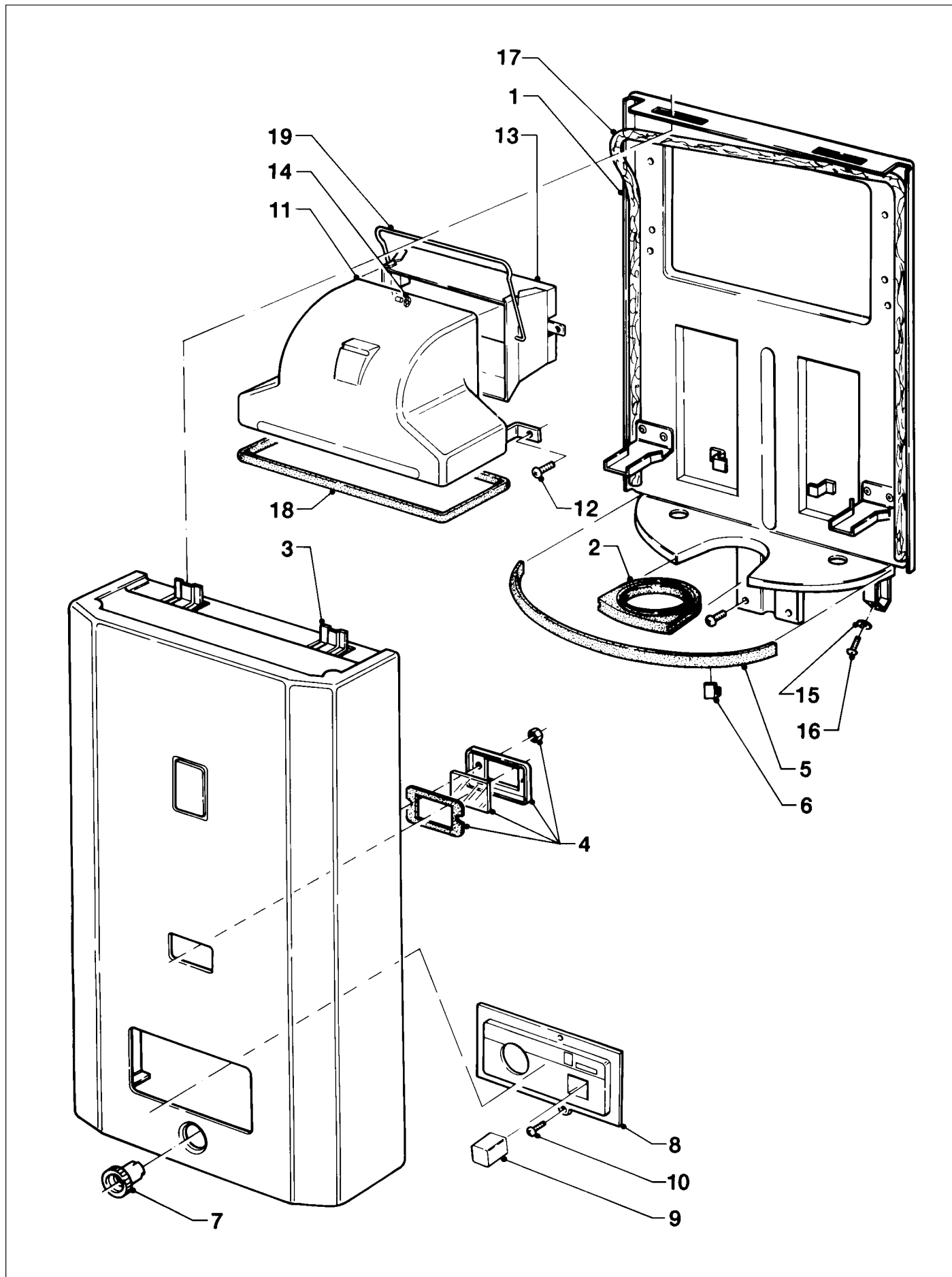
**Main component 07 Enamelled parts  
MAG 275-440/9 W**



**Main component 07 Enamelled parts  
MAG 275-440/9 W**

Pict. No.	Article-No.	Part	Indic.	Type, Remarks
1	07-9763 07-9764 07-9765	back panel back panel back panel		275/9 350/9 440/9
2	07-4982 07-4983 07-4984	draft diverter draft diverter draft diverter		275/9 350/9 440/9
3	23-5727	screw		
4	07-2936 07-2937 07-2938	cowling cowling cowling		275/9 350/9 440/9
5	17-3713	locking nut		
6	07-5544	cover plate		
7	28-5517	button		square turn button
	28-5531	button	with spring	round push button
8	10-5804	screw		

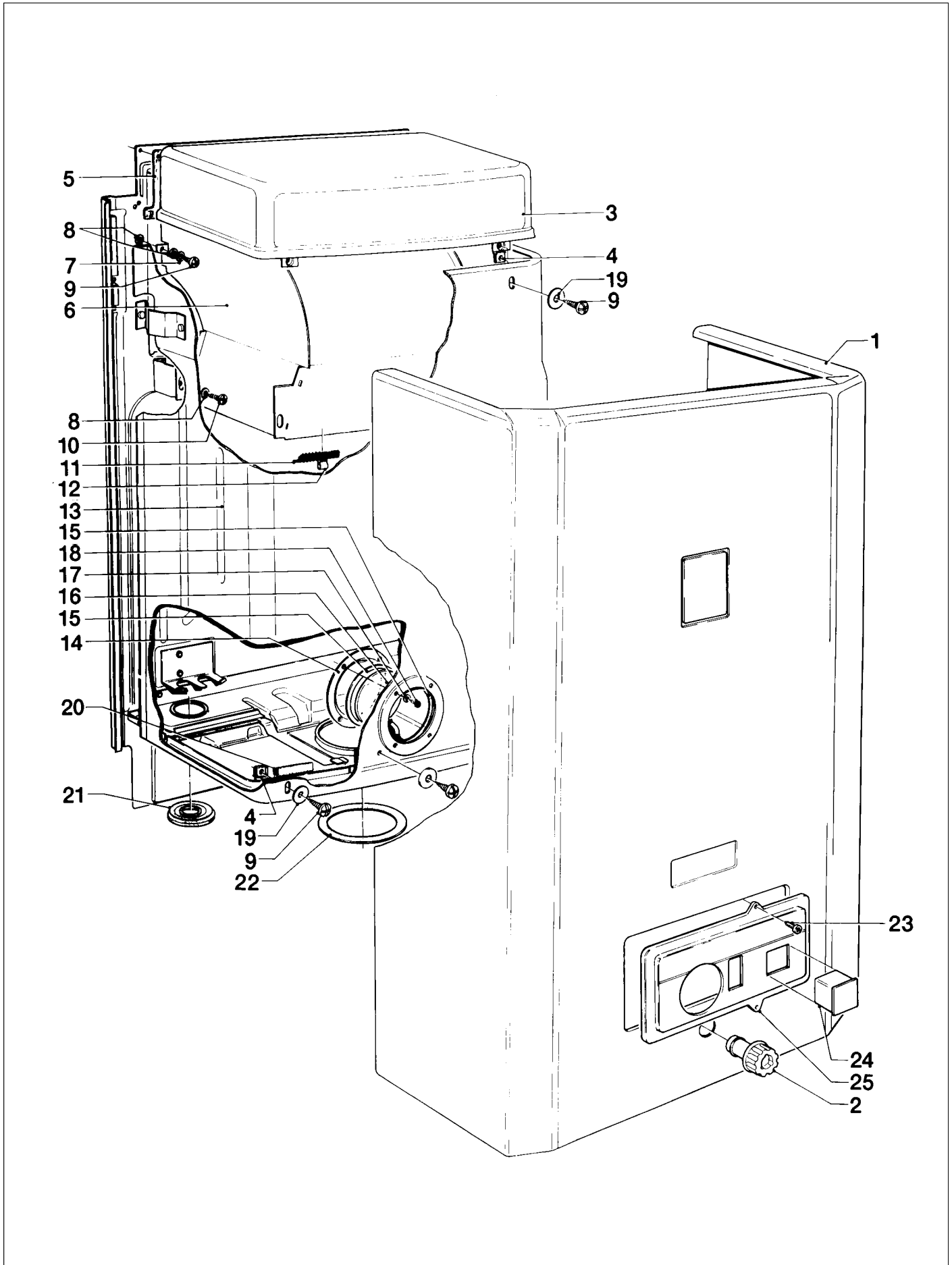
# Main component 07 Enamelled parts MAG-sine 250/9 W



**Main component 07 Enamelled parts  
MAG-sine 250/9 W**

Pict. No.	Article-No.	Part	Indic.	Type, Remarks
1	07-9776	back panel		
2	98-0949	packingring		
3	07-2946	cowling		supplied with parts 4-7
4	16-1234	inspection glass		
5	91-0097	sealing profile		
6	28-0204	clip		
7	17-3713	locking nut		
8	07-5544	cover plate		
9	28-5517	button		
10	10-5804	screw		
11	12-6828	flue hood bend		
12	10-5760	screw		
13	14-7716	flue duct adaptor		supplied with parts 14,19
14	28-6403	locking nut		
15	98-1814	packingring		
16	23-5727	screw		
17	28-2883	sealing profile		
18	28-2884	sealing profile		
19	15-4148	bow		

**Main component 07 Enamelled parts**  
**MAG-sine 325/10 V, MAG-sine 325/9 W**

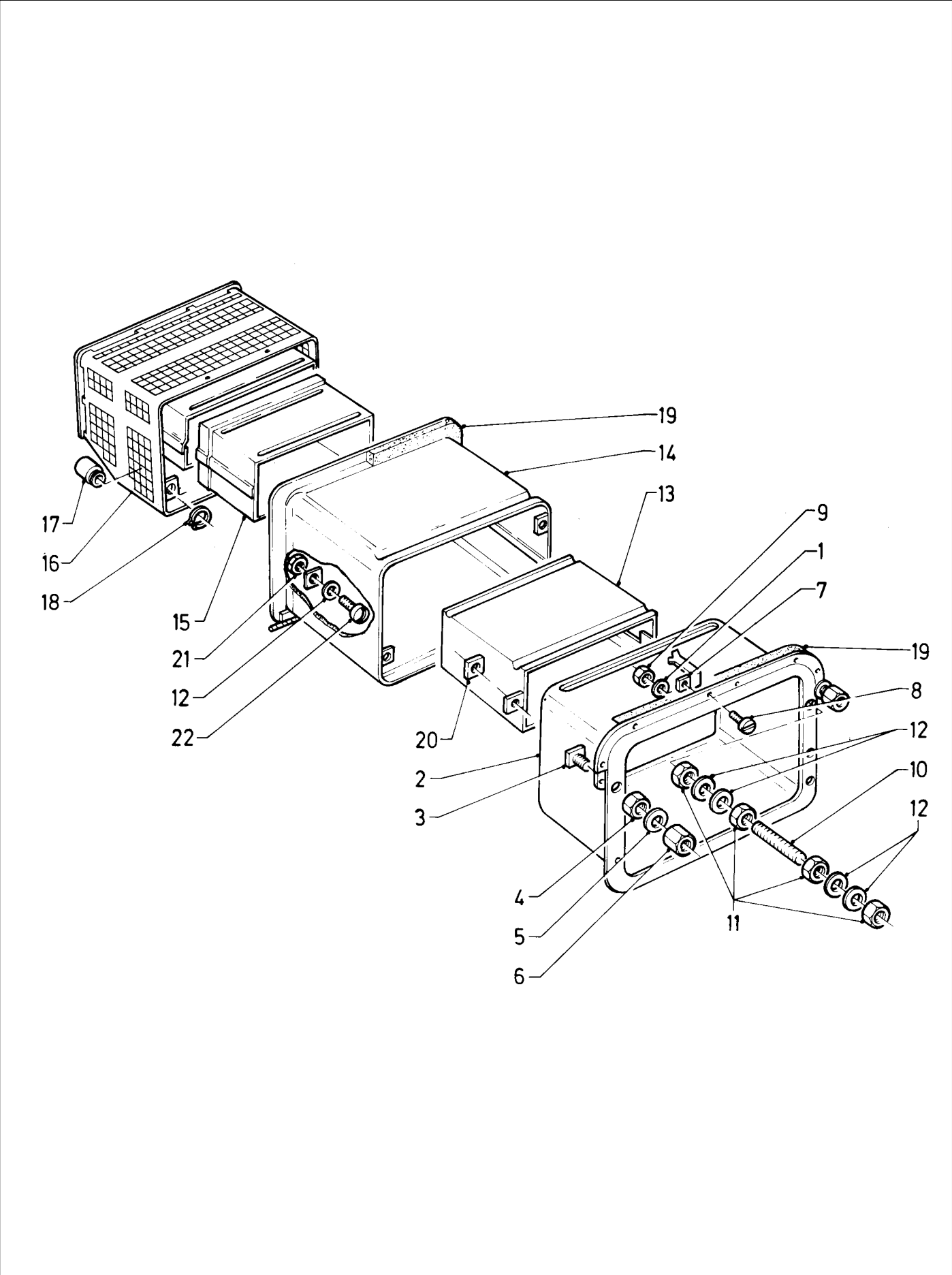




**Main component 07 Enamelled parts  
MAG-sine 325/10 V, MAG-sine 325/9 W**

Pict. No.	Article-No.	Part	Indic.	Type, Remarks
1	07-2804	cowling		supplied with part 2
2	17-3713	locking nut		
3	07-2345	cap		
4	15-8209	nut		
5	98-0763	packingring		
6	11-6623	flue bend		
7	49-2032	disc		
8	98-1814	packingring		
9	23-5738	screw		
10	23-5727	screw		
11	28-2815	sealing profile		
12	28-0204	clip		
13	07-2805	inner cover		supplied with parts 14-18
14	28-2249	ring		
15	98-1746	packingring		
16	16-1225	inspection glass		
17	95-0242	disc		
18	23-5748	screw		
19	07-0005	disc		
20	28-2836	sealing profile		
21	98-0896	packing ring		
	98-0765	packingring		left
	98-0764	packingring		right
	98-0832	packingring		sine 325/10
				sine 325/9
23	10-5804	screw		
24	28-5517	button		
25	07-5545	cover plate		V
	07-5544	cover plate		W

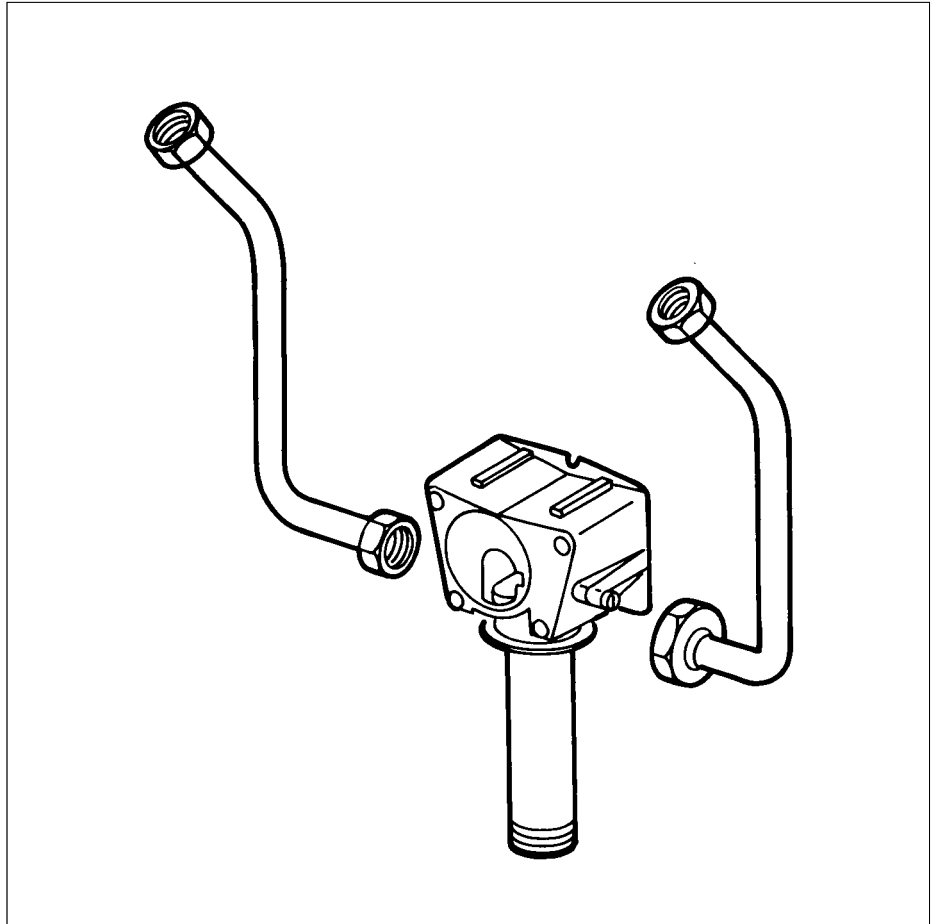
**Main component 07 Wall case**  
**MAG-sine 325/10 V, MAG-sine 250-325/9 W**



**Main component 07 Wall case**  
**MAG-sine 325/10 V, MAG-sine 250-325/9 W**

Pict. No.	Article-No.	Part	Indic.	Type, Remarks
1	49-2032	disc		
2	07-3110	inner part	98 mm	4 inchs Acc. 251
	07-3112	inner part	131 mm	5 inchs Acc. 252
	07-3114	inner part	221 mm	8 inchs Acc. 253
	07-3126	inner part	311 mm	12 inchs (without support) Acc. 254
	07-3116	inner part	311 mm	12 inchs (with support) Acc. 255
3	08-6527	support		
4	11-4848	nut		
5	19-1350	disc		
6	21-2718	nut		
7	08-6103	support		
8	20-2612	screw		
9	95-0237	nut		
10	08-4848	tie rod		
11	95-0237	nut		
12	28-4030	disc		
13	14-5574	duct	95 mm	4 inchs Acc. 251
	14-5575	duct	140 mm	5 1/2 inchs Acc. 252
	14-5576	duct	230 mm	9 inchs Acc. 253
	14-5577	duct	320 mm	12 1/2 inchs Acc. 254,255
14	07-3019	exterior part	85 mm	3 inchs Acc. 251
	07-3010	exterior part	130 mm	5 inchs Acc. 252,253,254
	07-3021	exterior part	310 mm	12 inchs Acc. 255
15	14-5516	duct	57 mm	2 inchs Acc. 252,253,254
	14-5518	duct	237 mm	9 inchs Acc. 255
16	07-3662	protection grill		supplied with parts 17,18
17	12-4835	bush		
18	11-5520	safety disc		
19	28-2822	sealing profile		
20	15-8209	nut		
21	28-6401	locking nut		
22	07-0340	screw		
				Information low level terminal cover acc. No. 000296 (not shown)

## Main component 08



Connection parts  
MAG 275-440/9 W B,  
MAG-sine 250-325/9 W H,B, MAG-sine 325/10 V S  
Acc.-connection pack parts  
MAG 275-440/9 W,  
MAG-sine 250-325/9 W, MAG-sine 325/10 V

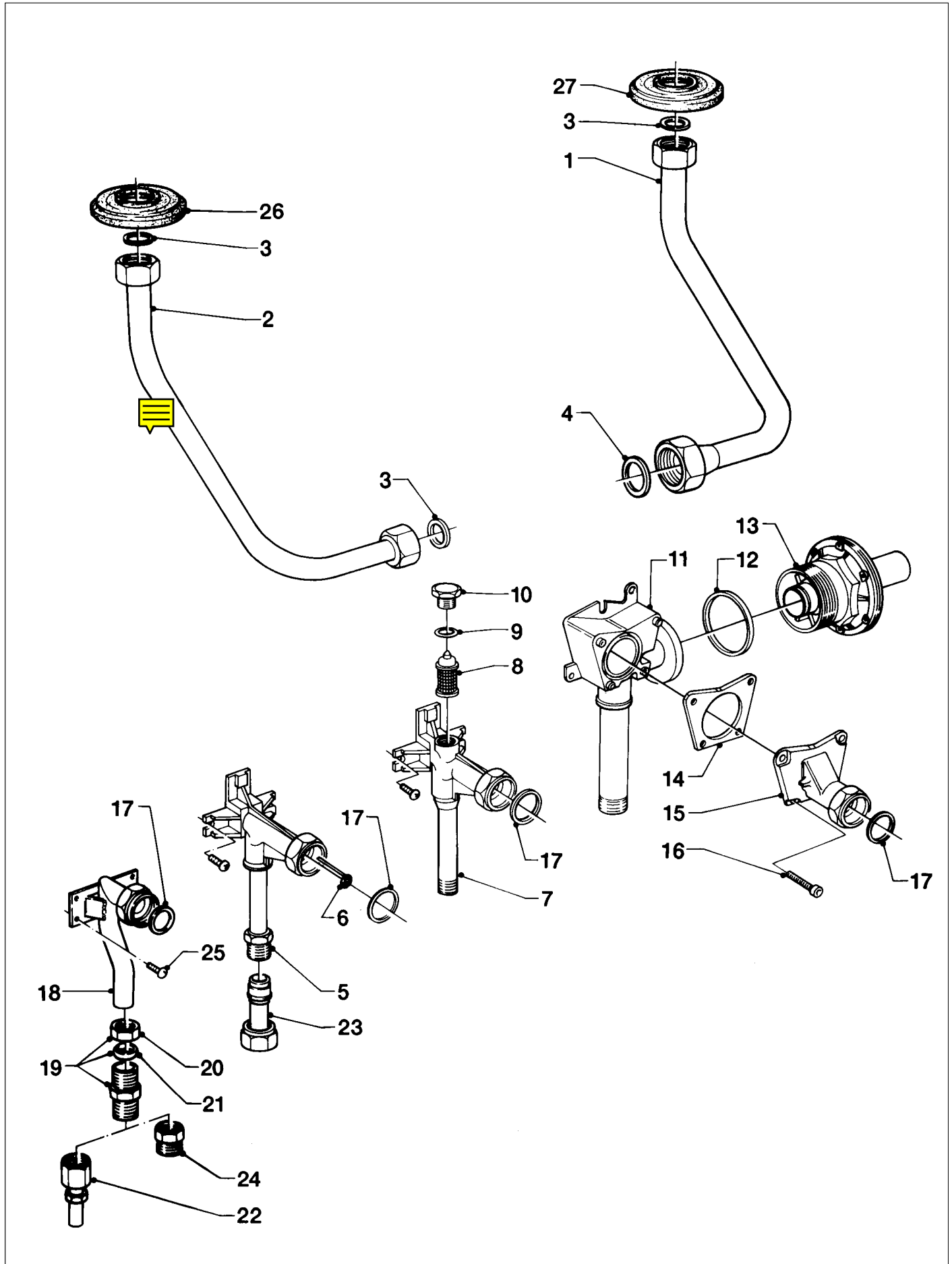
**Page**

42 - 43

44 - 45

# Main component 08 Connection parts

MAG 275-440/9 W B, MAG-sine 250-325/9 W H,B, MAG-sine 325/10 V S

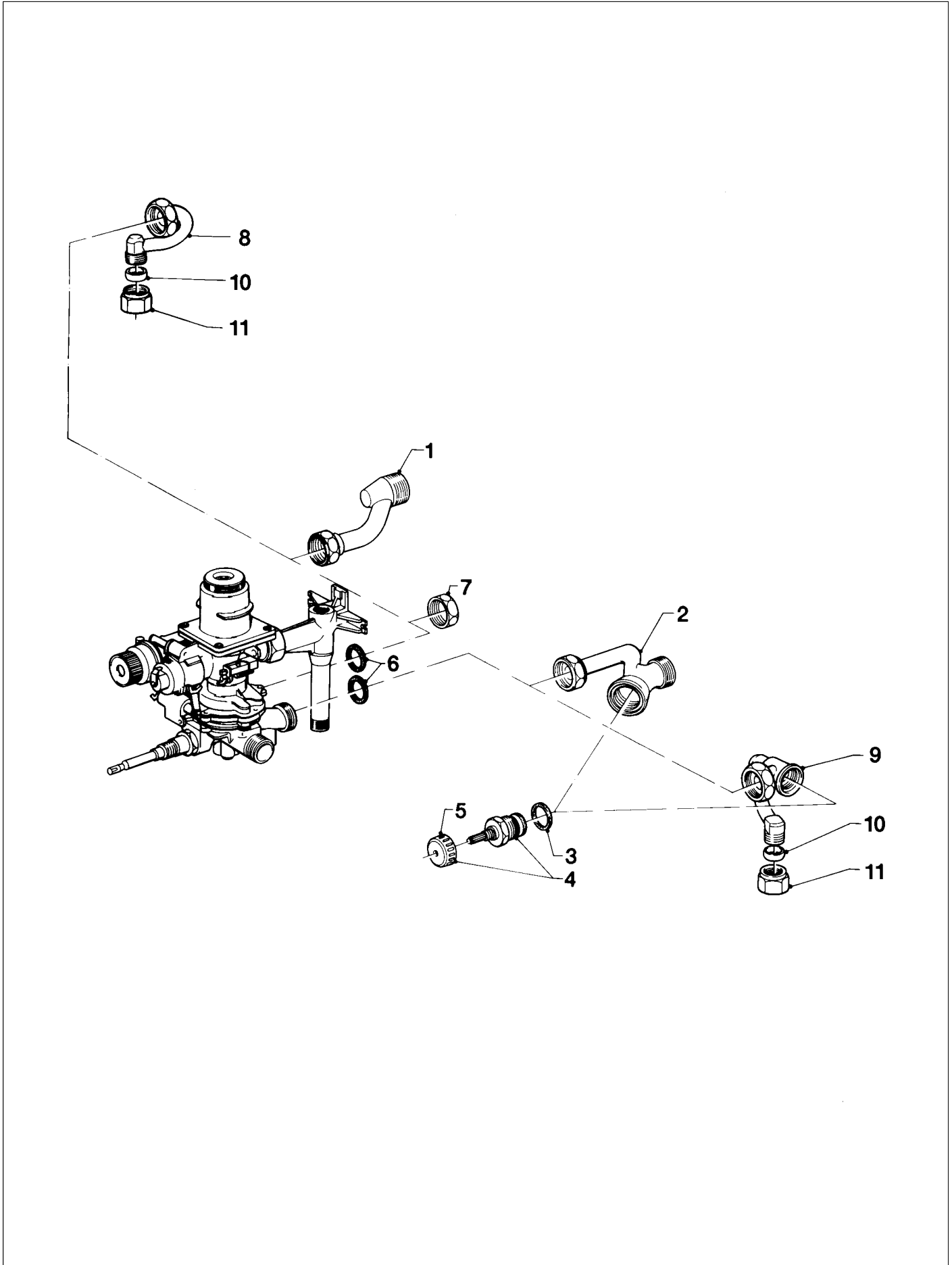


## Main component 08 Connection parts

### MAG 275-440/9 W B, MAG-sine 250-325/9 W H,B, MAG-sine 325/10 V S

Pict. No.	Article-No.	Part	Indic.	Type, Remarks
				S = town gas, H = natural gas, B = LPG
1	08-3766	cold water tube		275/9
	08-3767	cold water tube		350/9
	08-3768	cold water tube		440/9...
	08-3775	cold water tube		sine 250/9
	08-3773	cold water tube		sine 325/9-10 (supplied with part 27)
2	08-3940	warm water tube		275/9
	08-3960	warm water tube		350/9
	08-3942	warm water tube		440/9
	08-3947	warm water tube		sine 250/9
	08-3946	warm water tube		sine 325/9-10 (supplied with part 26)
3	98-1508	packingring		
4	98-1511	packingring		
5	08-2579	gas connection		275-440/9 B (supplied with part 6)
	08-0008	gas connection		sine 325/9 B (supplied with part 6)
6	10-8905	gas filter		
7	08-2601	gas connection		sine 325/10 V S } supplied with parts 8-10
	08-2538	gas connection		sine 325/9 H }
8	10-8921	gas filter		
9	98-1756	packingring		
10	13-7262	plug		
11-16	-	-		not necessary for British appliances execution
17	98-1512	packingring		
18	08-2599	gas connection		sine 250/9-10...
19	-	-		not necessary for British appliances execution
20	08-0177	nut		
21	08-0184	brass olive		
22	08-3629	gas adaptor		sine 250/9 (22 mm to 15 mm)
23	08-0046	gas hose connection		275-440/9
24	-	-		not necessary for British appliances execution
25	23-5727	screw		
26	98-0896	packing ring		sine 325/9-10
27	98-0765	packingring		sine 325/9-10

**Main component 08 Acc.-connection pack parts**  
**MAG 275-440/9 W, MAG-sine 250-325/9 W, MAG-sine 325/10 V**



**Main component 08 Acc.-connection pack parts**  
**MAG 275-440/9 W, MAG-sine 250-325/9 W, MAG-sine 325/10 V**

Pict. No.	Article-No.	Part	Indic.	Type, Remarks
1	08-1149 08-1156	warm water connection warm water connection		275-440/9 (on the wall conection) sine 325/9-10 (on the wall conection)
2	08-1721 08-1726	cold water connection cold water connection		} supplied with parts 3-5
3	98-1605	packingring		
4	95-0057	upper part of valve		
5	14-3981	knob		
6	98-1511	packingring		
7	-	-		not necessary for British appliances execution
8	08-1153	warm water connection		supplied with parts 3-5
9	08-1723	cold water connection		
10	98-0410	packingring		009499 Accessory pack MAG 275-440/9, MAG-sine 250/9
11	11-1328	sleeve nut		
				009267 Accessory pack MAG-sine 325/9