

BAXI FIRES DIVISION

OWNER GUIDE

Model 541

fitted with

Decadent or
Chic fascia



ROOM SEALED RADIANT / CONVECTOR
GAS FIRE

(GC No. 32-032-65)

**THIS APPLIANCE IS FOR USE WITH NATURAL GAS (G20).
THIS APPLIANCE IS SUITABLE ONLY FOR INSTALLATION IN THE UNITED
KINGDOM (GB) AND THE REPUBLIC OF IRELAND (IE).**

We trust that this guide gives sufficient details to enable this appliance to be operated and maintained satisfactorily. However, if further information is required, our

Baxi Fires Division Technical Helpline will be pleased to help.

Telephone **08706 061 065** (National call rates apply in the United Kingdom). In the Republic of Ireland telephone **0044 8706 061 065**.

This guide is intended to help you care for your Baxi Fires Division gas fire. Please read thoroughly before using and keep for future reference.

This guide to be left with the owner

BAXI ● VALOR ● WONDERFIRE

OWNER GUIDE

Safety First.

Baxi Fires Division fires are CE Approved and designed to meet the appropriate British Standards and Safety Marks.



Quality and Excellence.

All Baxi Fires Division fires are manufactured to the highest standards of quality and excellence and are manufactured under a BS EN ISO 9001 quality system accepted by the British Standards Institute.



The Highest Standards

Baxi Fires Division is a member of the Society of British Gas Industries which works to ensure high standards of safety, quality and performance.



Careful Installation

Baxi Fires Division is a CORGI registered company. All our gas fires must be installed by a competent CORGI Registered Installer in accordance with our Installer Guide and should not be fitted directly on to a carpet or floor of combustible material.

B A X I F I R E S D I V I S I O N

Baxi Fires Division, Erdington, Birmingham B24 9QP
www.firesandstoves.co.uk

Because our policy is one of constant development and improvement, details may vary slightly from those given in this publication

OWNER GUIDE

CONTENTS

<u>Heading</u>	<u>Page</u>
SAFETY	4
APPLIANCE DIMENSIONS	6
GAS CONSUMPTION	6
OPERATING YOUR FIRE	7
CLEANING YOUR FIRE	8
SERVICING AND MAINTENANCE	11
USEFUL TELEPHONE NUMBERS	13

This gas fire is designed to meet the most stringent quality, performance and safety requirements to provide you with many years' trouble-free service.

This guide aims to improve your understanding and appreciation of your gas fire by providing simple and informative instructions to ensure that you benefit from the excellent performance and features it has to offer.

OWNER GUIDE

SAFETY

IF YOU SMELL GAS

DON'T SMOKE

EXTINGUISH ALL NAKED FLAMES

DON'T TURN ELECTRICAL SWITCHES ON OR OFF

TURN OFF THE GAS SUPPLY AT THE METER

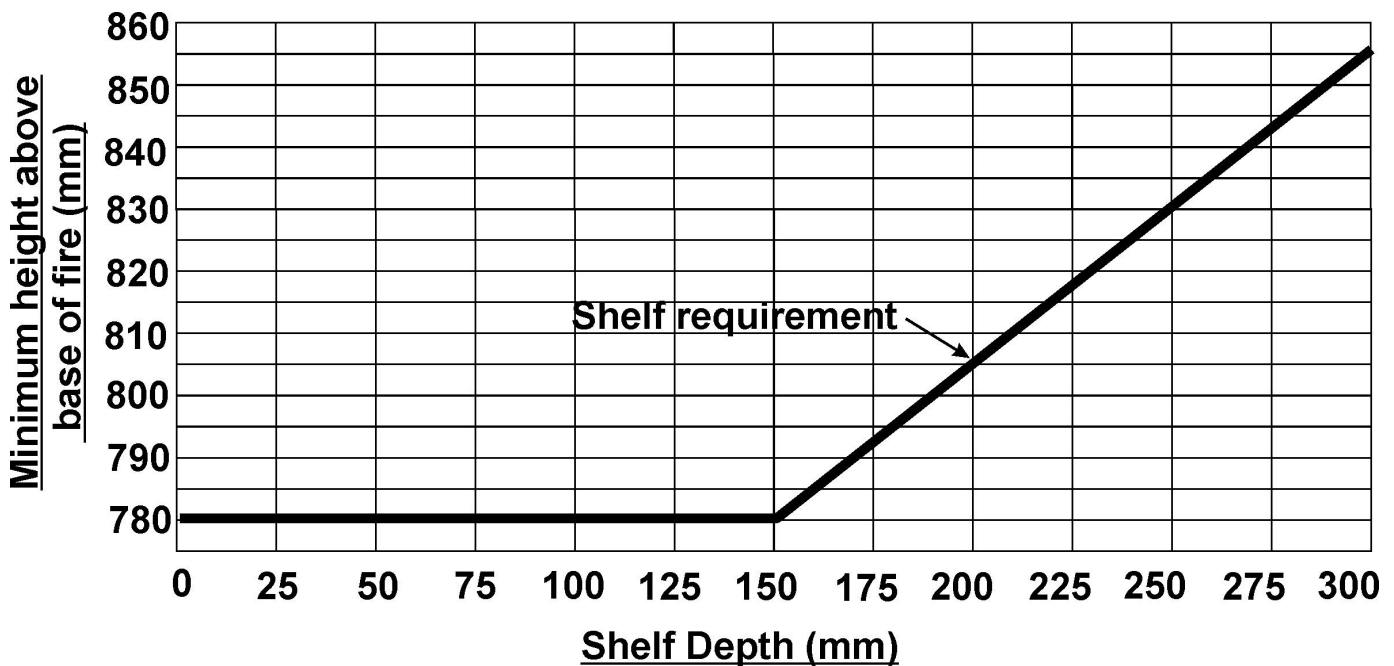
OPEN DOORS AND WINDOWS TO GET RID OF THE GAS

IMMEDIATELY CALL THE GAS EMERGENCY SERVICE – SEE YOUR LOCAL TELEPHONE DIRECTORY

Do have the fire installed by a competent person. In the United Kingdom, installation must be in accordance with the latest edition of the Gas Safety (installation & use) Regulations. In the Republic of Ireland, installation must be in accordance with all national and local regulations in force.

Do have the fire installed in accordance with the installer guide.

Do provide a minimum clearance of 780mm from the base of the fire to any shelf made of wood or other combustible material where the shelf is not more than 150mm deep. For a shelf deeper than 150mm, add 12.5mm to the clearance for every 25mm of additional shelf depth (See graph 1)



Graph 1. Combustible shelf clearances.

OWNER GUIDE

Do provide a minimum clearance of 51mm each side of the fire for servicing access.

Do provide a suitable guard which complies with BS 8423 for the protection of young children, the elderly and the infirm. Such a guard is also recommended for the protection of pet animals. *Although this fire conforms to all the applicable standards, it is a heating appliance and certain parts of its surface will become hot. The area above the outlet at the top of the Chic fascia gets hot. It is important that this area is not touched when the fire is on or cooling down.*

Do wait three minutes before attempting to relight if the fire is switched off or the flames are extinguished for any reason. *Your fire is fitted with a safety device which will automatically shut off the gas supply to the fire if, for any reason, the flames go out.*

Do get advice about the suitability of any wall covering near your fire. Soft wall coverings (e.g. embossed vinyl, etc.) which have a raised pattern, are easily affected by heat. They may, therefore, scorch or become discoloured when close to a heating appliance. Please bear this in mind whenever you are considering redecorating (See section 4.16 of the installer guide)

Do keep the flue terminal on the outside wall free from all obstructions and blockages.

Don't hang clothing, towels or any other fabrics over the fire.

Don't use the fire without the glass window panel in position or with damaged glass.

Don't add any loose ceramic fuel effect pieces on to the ceramic fuel effect supplied with the fire. This could cause a safety hazard.

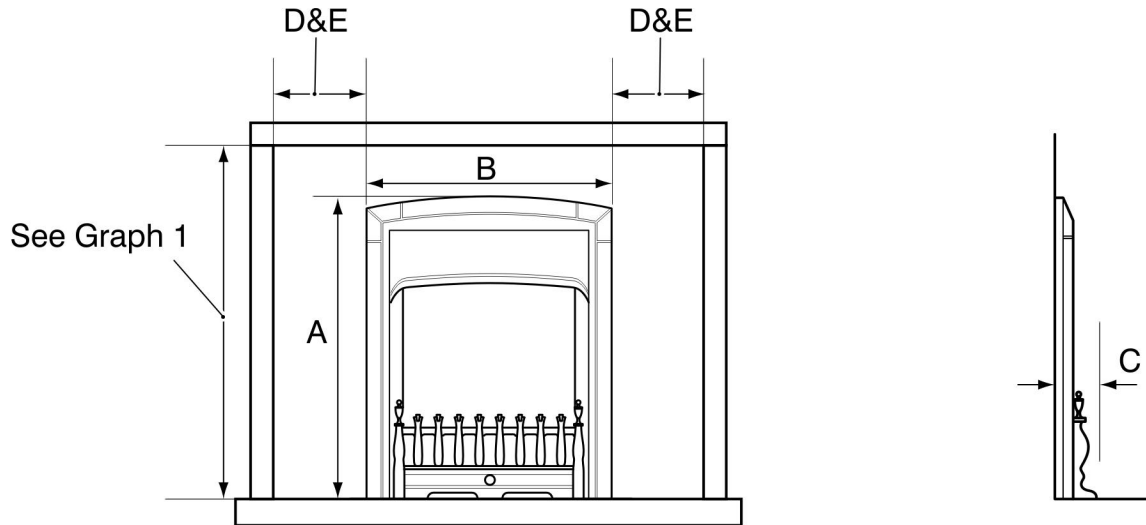
Don't use the fire without the ceramic fuel effect and rear wall correctly in position or if they are damaged.

Don't place any carpet, rug or other soft surface material under or within 300mm forward of the appliance over its full width side-to-side. (Although this fire does not have to be on a non-combustible hearth, such soft materials could interfere with the air flow into and through the bottom of the heater)

Don't attempt to clean or service the fire until it has been switched off and allowed to cool completely.

OWNER GUIDE

APPLIANCE DIMENSIONS



Key	Description	Model	
		Chic	Decadent
A	Appliance height (mm)	609	607
B	Appliance width (mm)	482	487
C	Appliance depth into room (mm)	104	133
D	Minimum mandatory clearance to combustible surfaces projecting beyond the front of appliance (mm).	102	102
E	Recommended clearance to non-combustible surfaces for access purposes (mm).	51	51

Figure 1. Appliance dimensions and clearances (Fire dimensions are subject to manufacturing deviation)

GAS CONSUMPTION

Model 541

Has a maximum natural gas input of 3.65kW (Gross)

Has a maximum natural gas output of 2.8kW

Has a minimum natural gas input of 1.5kW (Gross)



Has a minimum natural gas output of 1.13kW


OWNER GUIDE

OPERATING YOUR FIRE


The controls are shown in figure 2.

To light the pilot.

- Push in the right control knob (the pilot lighting knob) and, while keeping it depressed, turn anticlockwise through the ignition position marked  and up to the pilot position marked . The spark should light the pilot. The pilot flame can be seen by looking through the gap near the front left side of the ceramic fuel effect (See figure 3).


- When the pilot has lit, keep the right hand control knob depressed for a few seconds to prevent the flame supervision device from shutting off the gas supply while its probe warms up, as explained above, then release it. If the pilot does not remain alight turn the knob back to the off position marked . Wait a few seconds and repeat the lighting sequence.

To light the main burner.

- Partially depress the right control knob and turn to the main burner position marked .
- The main burner flames are controlled by using the rocker switch at the right side of the fire case.

Operating the rocker switch automatically causes the knob at the left side of the pilot control knob to rotate. Pressing in the top half of the switch turns the main burner on. Keeping the top half pressed gradually increases the flame height and heat output. Pressing the bottom half reduces the flame height and heat output and finally turns the main burner off. In the unlikely event of failure of the rocker switch, the left side knob can be turned manually.

To turn off the main burner only.

- Press in and hold the bottom half of the rocker switch until the main burner is extinguished. Alternatively, the main burner can be extinguished by turning the right hand control knob to the pilot position marked .

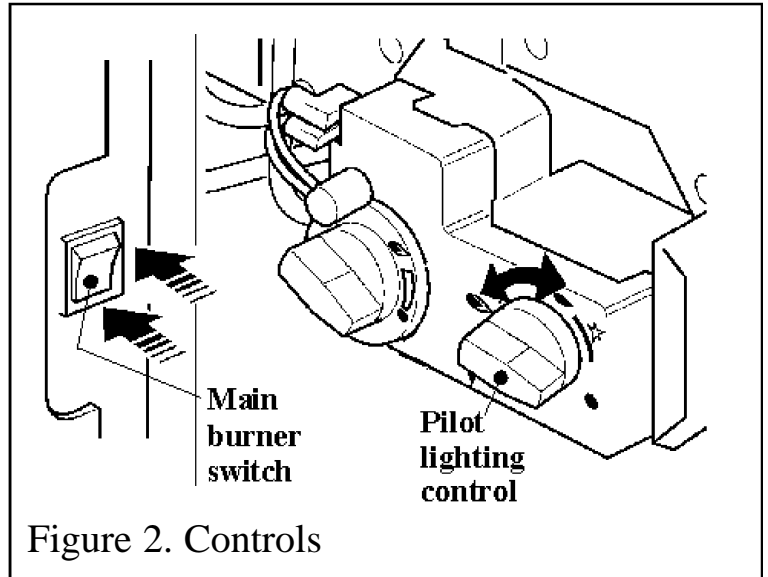


Figure 2. Controls

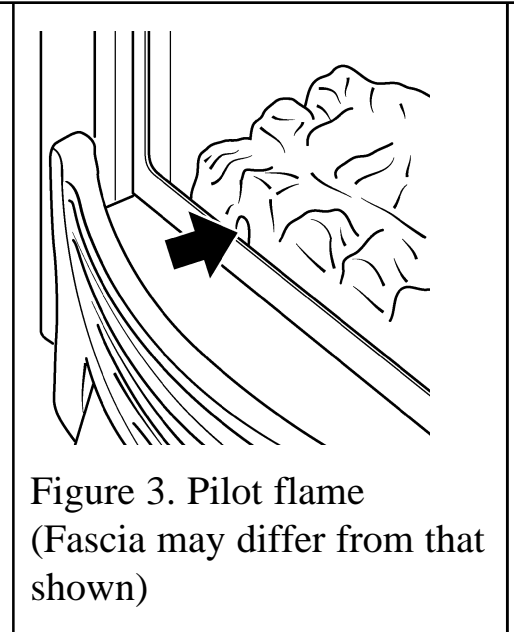




Figure 3. Pilot flame
(Fascia may differ from that shown)

OWNER GUIDE

To turn off the main burner and pilot.

- Turn the right hand control knob to the pilot position marked  . Push the knob in at this position and turn to the off position marked  .

CLEANING YOUR FIRE

Turn the fire off and allow it to cool completely before attempting any cleaning. Note that the fire will retain heat for some time after it has been turned off.

Metal parts.

Clean the metal parts with a slightly damp cloth and then dry. **Do not use abrasive cleaners, they could scratch the surface.**

To clean the inside of the window.

Before the window can be detached, the fascia will have to be removed as follows:

Decadent model

(See figure 4).

- Remove the lower bottom front casting (Ash pan).
- Lift the fire front casting clear by lifting the fire front casting up and forward to release the locating screw heads at the back of the casting from the keyholes in the fascia.
- Remove the wiring loom connectors from the left hand side of the gas valve (See figure 5).
- Remove the two screws securing the bottom of the fascia to the sides of the convection box.
- Raise the fascia to allow the retaining lugs at the top to clear the slots in the convection box hood and then lift clear.

Chic model

- The lower section of the fascia is secured with magnets. Remove this by pulling clear of the fascia (See figure 6).
- Remove the two tubular trim sets from the top and bottom of the fascia. To do this simply lift upward and forward (See figure 7).
- Unscrew and remove the two screws that secure the bottom of the fascia sides to the convection box (See figure 8).

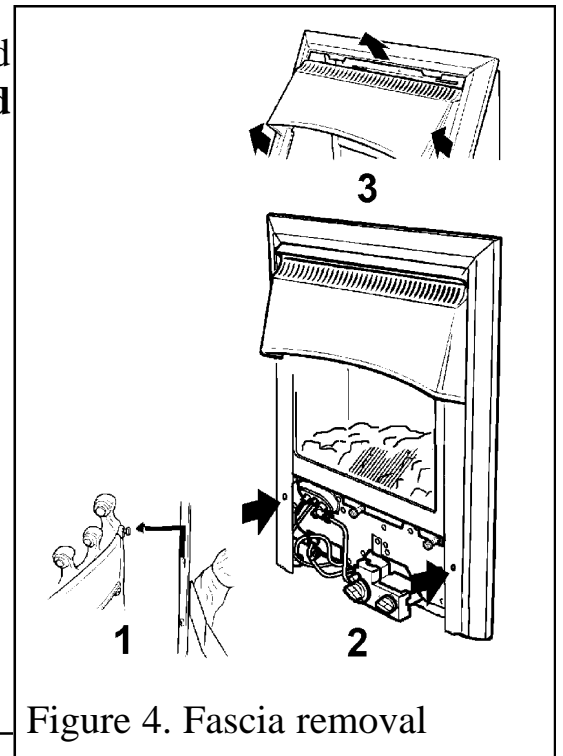


Figure 4. Fascia removal

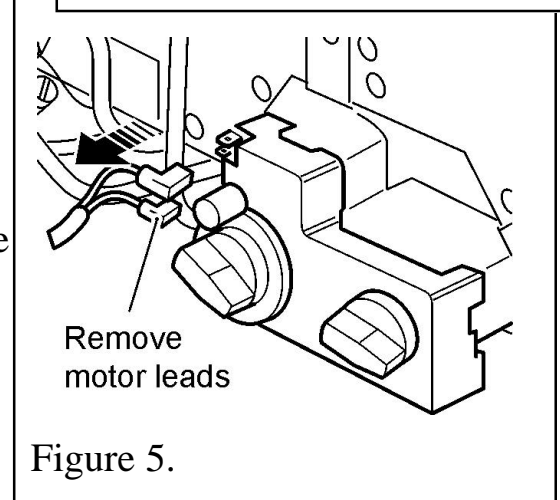


Figure 5.

OWNER GUIDE

- Remove the wiring loom connectors from the left hand side of the gas valve (See figure 5).
- Raise the fascia to allow the retaining lugs at the top to clear the slots in the convection box hood and then lift clear (See figure 8). Be careful not trap the wiring loom when lifting clear.

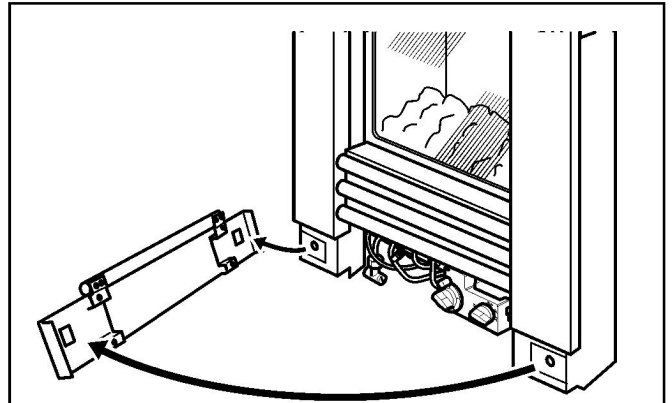


Figure 6. Removing the lower section of the 'Chic' fascia.

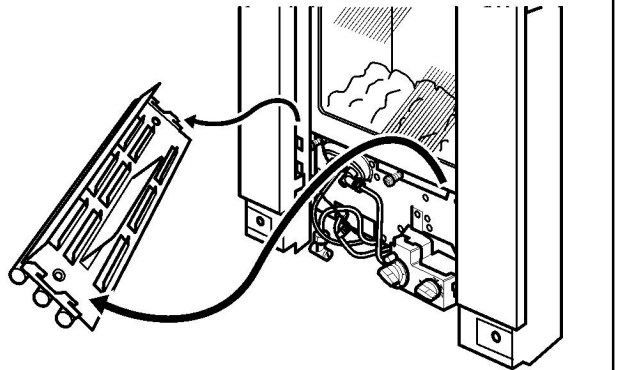
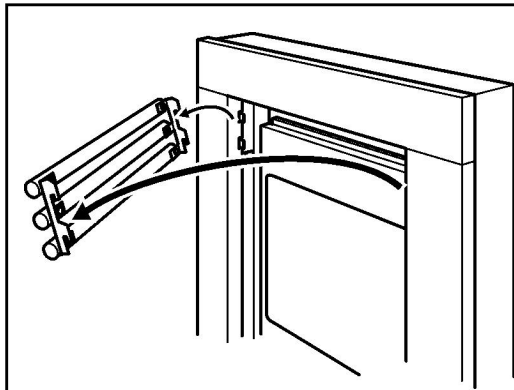


Figure 7. Removing the 'Chic' hanging trims

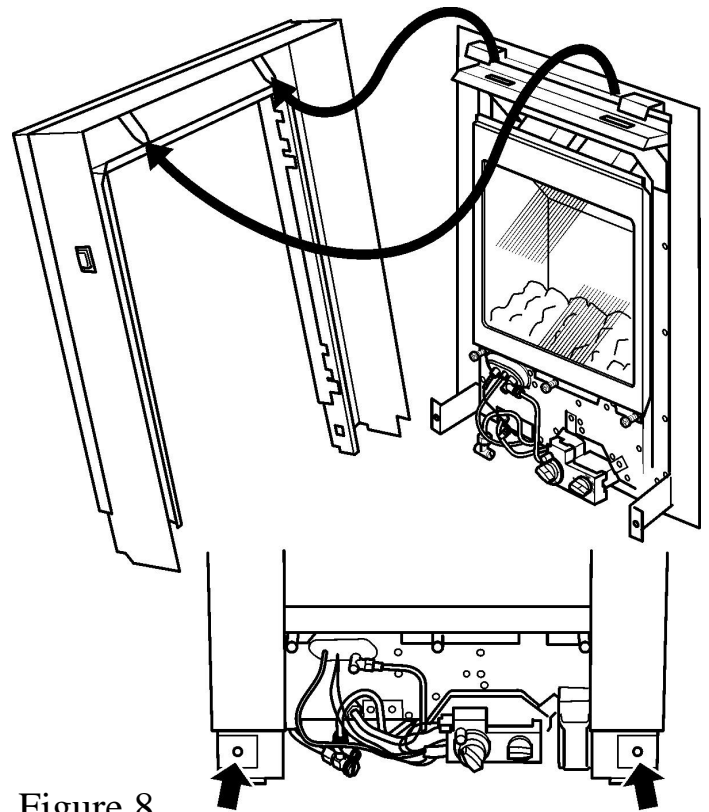


Figure 8.

OWNER GUIDE

Window removal and cleaning.

- Unscrew and remove the three spring loaded window fixing screws and washers from the base of the window frame (See figure 9). Keep the screws and washers in a safe place.
- Gently swing the base of the window frame forward while lifting the frame upwards. The window should lift clear of the fire. Put the window in a safe place away from your immediate work area.
- Any stains on the glass can be removed with a non-abrasive cleaner such as a ceramic hob cleaner. Never use abrasive cleaners. Clean the window carefully in accordance with the instructions supplied with the cleaner.
- Replace the window making sure that the seal around the frame is not damaged or misplaced. Locate the channel at the top of the window over the top of the firebox opening.
- Refit the three spring-loaded screws and washers. Tighten sufficiently to seal to the firebox.
- Replace the fascia and castings.

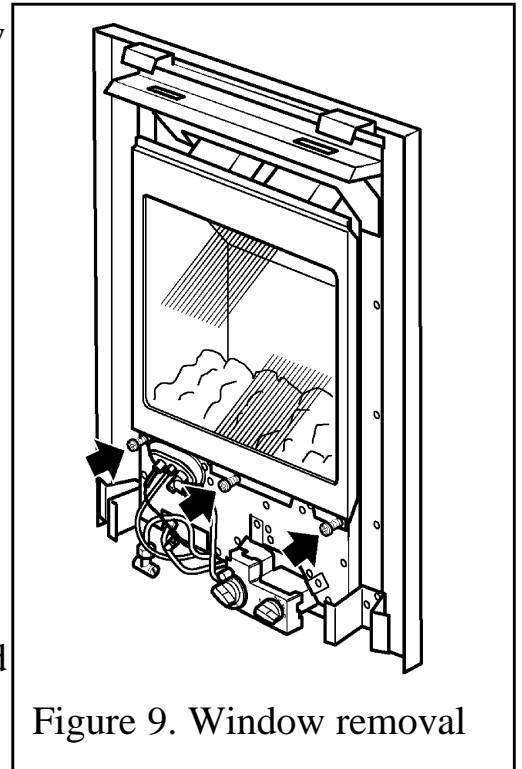


Figure 9. Window removal

To clean the ceramic fuel effect or ceramic rear wall.

- This product uses a fuel effect, a burner compartment rear wall and gaskets containing Refractory Ceramic Fibres (RCF), which are man-made vitreous silicate fibres. Excessive exposure to these materials may cause irritation to eyes, skin and respiratory tract. Consequently, it is important to take care when handling these articles to ensure that the release of dust is kept to a minimum. To ensure that the release of fibres from these RCF articles is kept to a minimum, during installation and servicing we recommend that you use a HEPA filtered vacuum to remove any dust and soot accumulated in and around the fire before and after working on the fire. When replacing these articles we recommend that the replaced items are not broken up, but are sealed within a heavy duty polythene bag, clearly labelled as RCF waste. This is not classified as “hazardous waste” and may be disposed of at a tipping site licensed for the disposal of industrial waste. Protective clothing is not required when handling these articles, but we recommend you follow the normal hygiene rules of not smoking, eating or drinking in the work area and always wash your hands before eating or drinking. This appliance does not contain any component manufactured from asbestos or asbestos related products.
- Light coatings of soot will usually be burnt off during the normal operation of the fire. Should any soot accumulation become excessive, the ceramic fuel effect and rear

OWNER GUIDE

wall should be removed from the fire for cleaning.

- Cleaning should be carried out in a well ventilated area or in the open air by gently brushing with the pieces held away from your face so that you avoid inhaling the dust.
- We do not recommend the use of a normal domestic vacuum cleaner which may blow dust back into the air.

If, for any reason the ceramic fuel effect or rear wall require cleaning proceed as follows:-

- Remove the fascia and window as described previously.
- Carefully lift the ceramic fuel effect out of the firebox and place it on a piece of cardboard or similar. We suggest that you remove the ceramic fuel effect pieces in the reverse order to that shown in section 10 (Coal) or section 11 (Pebble) of the **installer** guide.
- If necessary remove the rear ceramic wall from the bottom channel by pushing the bottom edge of the wall upwards and very slightly pulling the top forward.
- Carefully clean the surface of the ceramic fuel effect (and wall if necessary) using a soft brush.
- After cleaning replace the ceramic fuel effect as shown in section 10 (Coal) or section 11 (Pebble) of the **installer** guide.

SERVICING AND MAINTENANCE

Regular maintenance.

In order to achieve and maintain high levels of personal safety and performance efficiency it is essential that the flue terminal outside the building is kept clear of any form of obstruction.

We recommend that all gas appliances and their flues, are checked annually by a competent person (in the UK a CORGI registered installer).

In the United Kingdom it is the law that a landlord must have any gas appliance, flue and pipework which is situated in a tenant's premises checked for safety at least every twelve months.

OWNER GUIDE

Battery replacement.

This appliance uses four 1.5V AA batteries.

- To change the batteries remove the bottom front casting.
- Remove the fire front as described previously in this guide.
- The battery case is at the right side. Lift the plastic battery holder out of the metal case and detach the batteries (See figure 10).
- Discard the old batteries and replace with new ones.
- Replace the firefront.

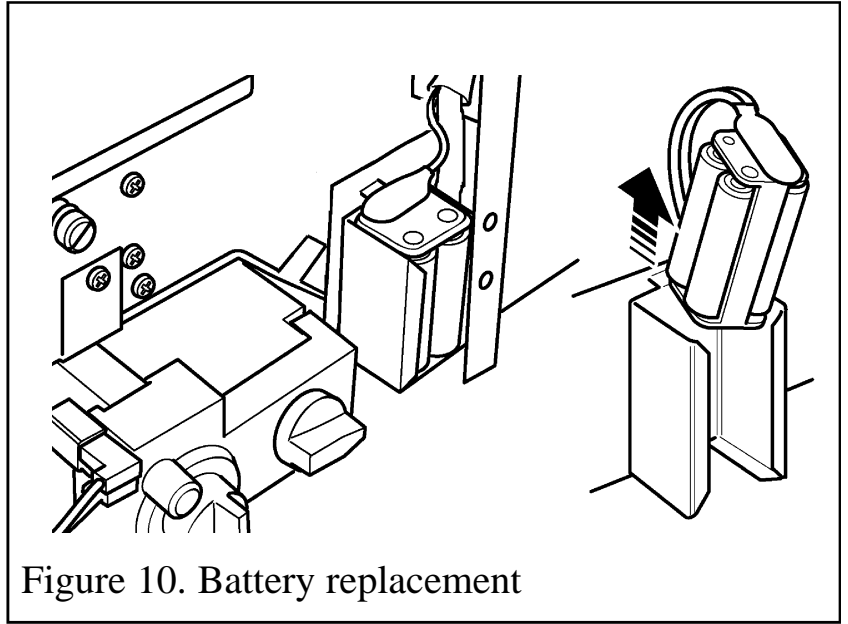


Figure 10. Battery replacement

Servicing.

- Servicing can be carried out either by a Baxi Fires Division Service engineer or a CORGI registered installer.
- If you require your fire to be serviced, please contact **Baxi Fires Division Service** on **08706 090 081**

IMPORTANT

To help us quickly help you, please try to have the following information available before you contact us:

- **Type of fire.**
- **Model/Name.**
- **Serial Number (This can be found on a label tied below the firebox and is visible when the bottom cover is removed).**

You will also be asked for the fault, problem or request plus your Post Code.

- If you wish to replace the ceramic fuel effect or ceramic rear wall, spare parts are available nationwide via the '**interpart** stockist network'. For your local stockist consult Yellow pages under Central Heating.
- **When fitting replacement parts it is important that only Baxi Fires Division approved parts are used for maximum safety.**

OWNER GUIDE

USEFUL TELEPHONE NUMBERS

General advice about gas and your gas fire:

BAXI FIRES DIVISION TECHNICAL HELPLINE 08706 061 065.

To report faults or arrange for your fire to be serviced:

BAXI FIRES DIVISION SERVICE 08706 090 081.

For sales or product information:

BAXI FIRES DIVISION SALES 08706 061 067.

For spares inquiries

Spare parts are available nationwide via the 'interpart stockist network'. For your local stockist consult Yellow pages under 'Central Heating'.

CALLERS IN THE REPUBLIC OF IRELAND

Call 0044 8706 061 065