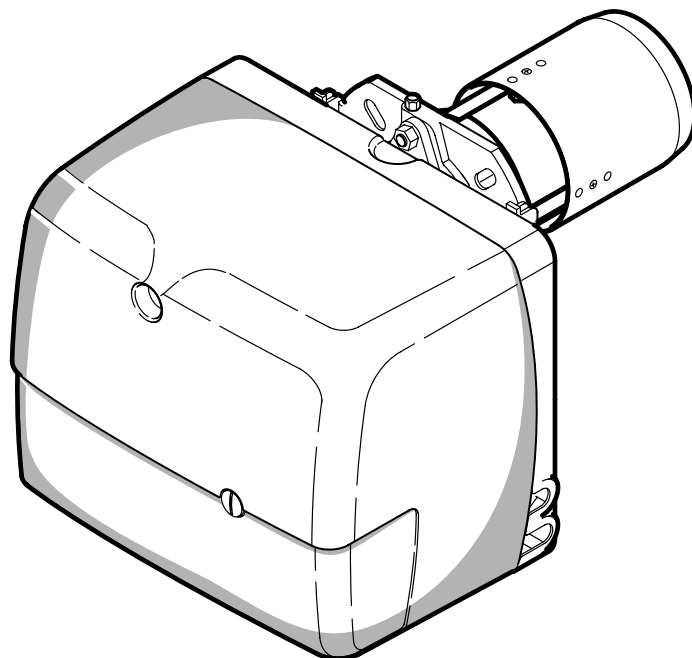


- GB** Light oil burner
- F** Brûleur fioul
- NL** Stookoliebrander

Two stage operation
Fonctionnement à 2 allures
Tweetrapsbranders



R 2000

CODE	MODEL - MODELE	TYPE
8099110	SIME BLUE MACK 3	419 T

INDEX

1. BURNER DESCRIPTION	1	4.2 Nozzles recommended	6
1.1 Burner equipment.....	1	4.3 Maintenance position	7
2. TECHNICAL DATA	2	4.4 Electrode setting	7
2.1 Technical data	2	4.5 Combustion head setting.....	7
2.2 Overall dimensions.....	2	4.6 Recirculating pipe adjustment	8
2.3 Firing rate.....	2	4.7 Air damper adjustment	8
3. INSTALLATION	3	4.8 Pump pressure and air output.....	8
3.1 Boiler fixing	3	4.9 Burner start-up cycle.....	9
3.2 Hydraulic systems	4	5. MAINTENANCE	9
3.3 Electrical wiring	5	6. FAULTS / SOLUTIONS	10
4. WORKING	6		
4.1 Combustion adjustment	6		

1. BURNER DESCRIPTION

Two stage light oil burner with low pollutant emissions (Nitric Oxide NO_x, Carbon monoxide CO and unburnt Hydrocarbons).

- The burner meets protection level of IP X0D (IP 40), EN 60529.
- Burner with CE marking in conformity with EEC directives: EMC 89/336/EEC, Low Voltage 73/23/EEC, Machines 98/37/EEC and Efficiency 92/42/EEC.
- CE Certification No. : **0036 0247/99** as 92/42/EEC.

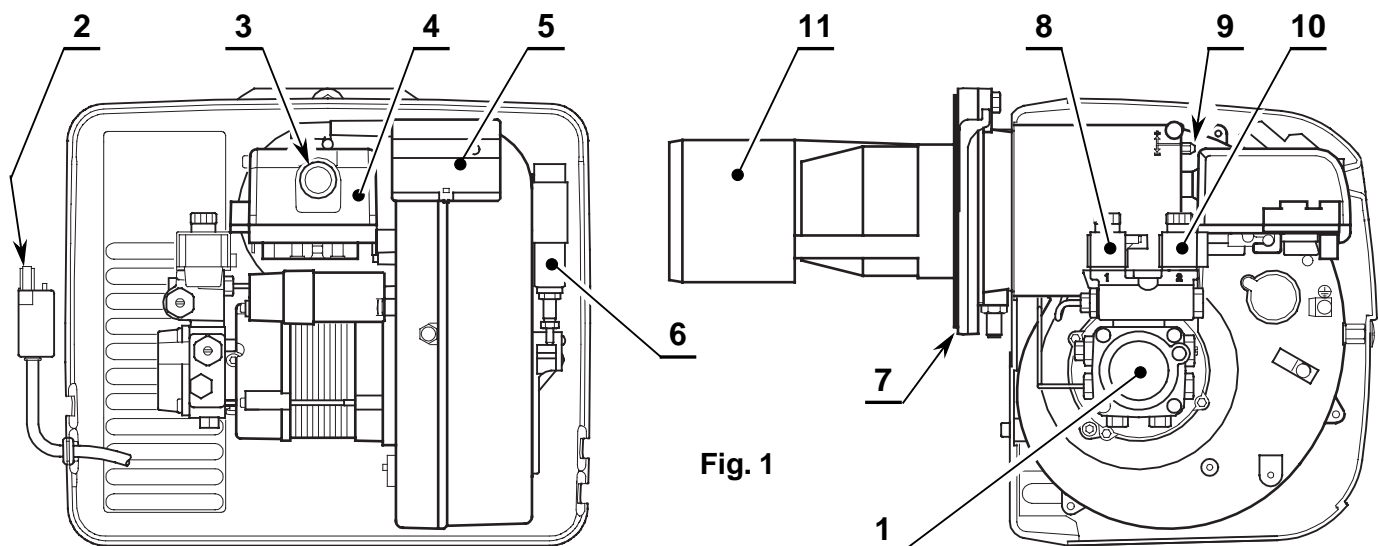


Fig. 1

D6074

- | | |
|--------------------------------------|--------------------------------------|
| 1 – Pump with pressure reducer | 7 – Flange with insulating gasket |
| 2 – 4 pole socket | 8 – 1 st stage valve |
| 3 – Reset button with lock-out lamp | 9 – Combustion head adjustment screw |
| 4 – Control-box | 10 – 2 nd stage valve |
| 5 – Electronic start delaying device | 11 – Recirculating pipe |
| 6 – Hydraulic jacks | |

1.1 BURNER EQUIPMENT

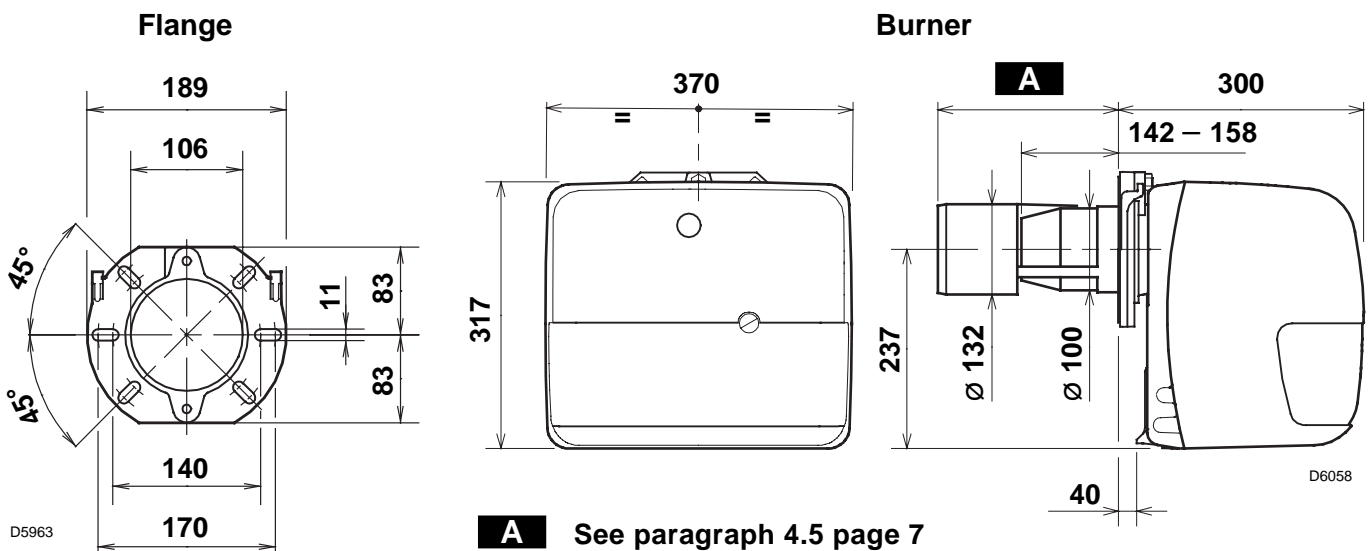
Flange with insulating gasket	No. 1	Screw and nuts for flange to be fixed to boiler . . .	No. 4
Screw and nuts for flange	No. 1	Flexible oil pipes with nipples.....	No. 2
Cable gland.....	No. 1	Recirculating pipe	No. 1
4 pin plug	No. 1	7 pin plug.....	No. 1
Boiler flange (only for model 1R6)	No. 1		

2. TECHNICAL DATA

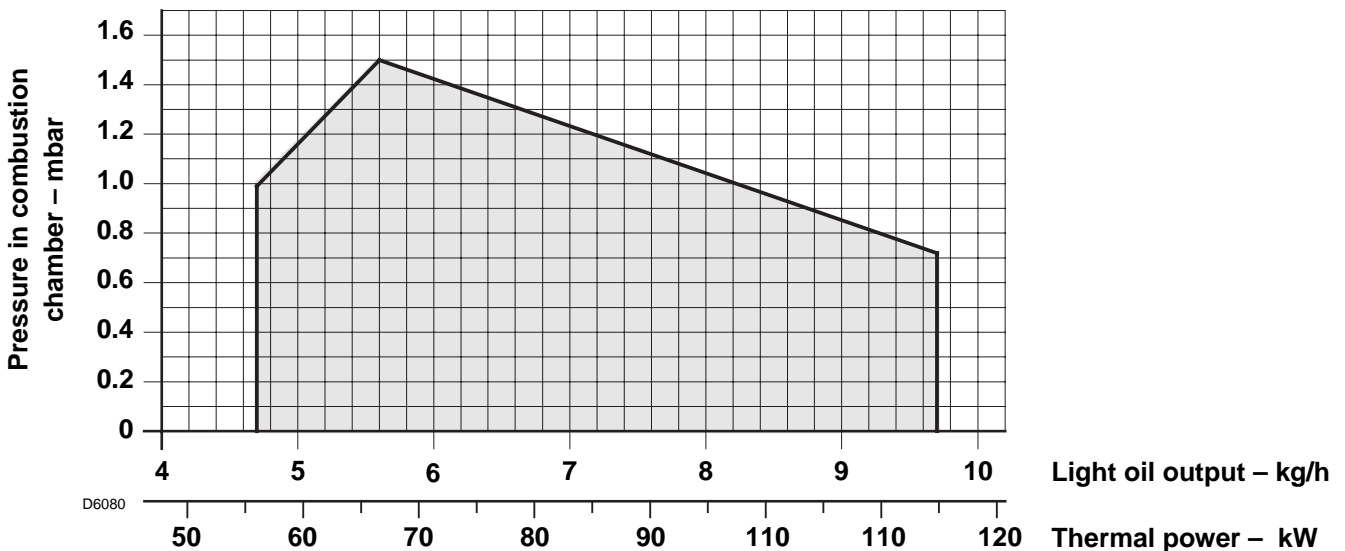
2.1 TECHNICAL DATA

TYPE	419T
Output - Thermal power	4.7/5.6 – 9.7 kg/h – 55.7/66.4 – 115 kW
Fuel	Light oil, viscosity 4 – 6 mm ² /s at 20 °C
Electrical supply	Single phase, ~ 50Hz 230V ± 10%
Motor	Run current 1.5A – 2850 rpm – 298 rad/s
Capacitor	6.3 μF
Ignition transformer	Secondary 8 kV – 16 mA
Pump	Pressure: 7 – 15 bar
Absorbed electrical power	0.276 kW

2.2 OVERALL DIMENSIONS



2.3 FIRING RATE, (as EN 267)



3. INSTALLATION

THE BURNER MUST BE INSTALLED IN CONFORMITY WITH LEGISLATION AND LOCAL STANDARDS.

3.1 BOILER FIXING

- Insert the recirculating pipe (6) in the flange seat (1) and lock with the screw (7), (see fig. 2).
- Put on the flange (1) the screw (9) and two nuts (10), (see fig. 3).
- Widen, if necessary, the insulating gasket holes (5, fig. 4).
- Fix the flange (1) to the boiler door (4) using screws (2) and (if necessary) the nuts (3) **interposing the insulating gasket (5)**, (see fig. 5).

Warning:

If the hole in the boiler door (4) is less than 110 mm, before fixing the flange (1) to the boiler, unscrew the three screws (8) and remove the recirculating pipe (6). Open the boiler door (4), fit the recirculating pipe (6) and fix it with the three screws (8).

Fig. 2

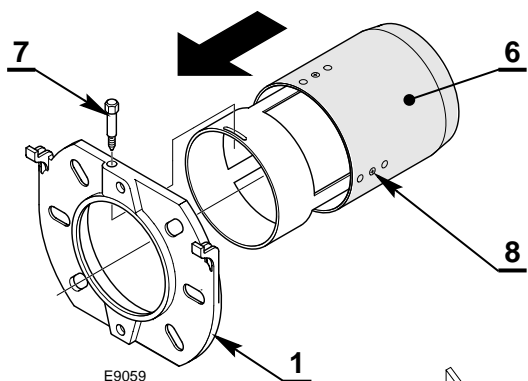


Fig. 3

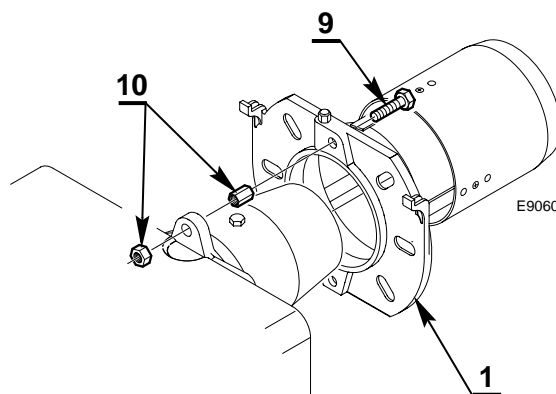


Fig. 5

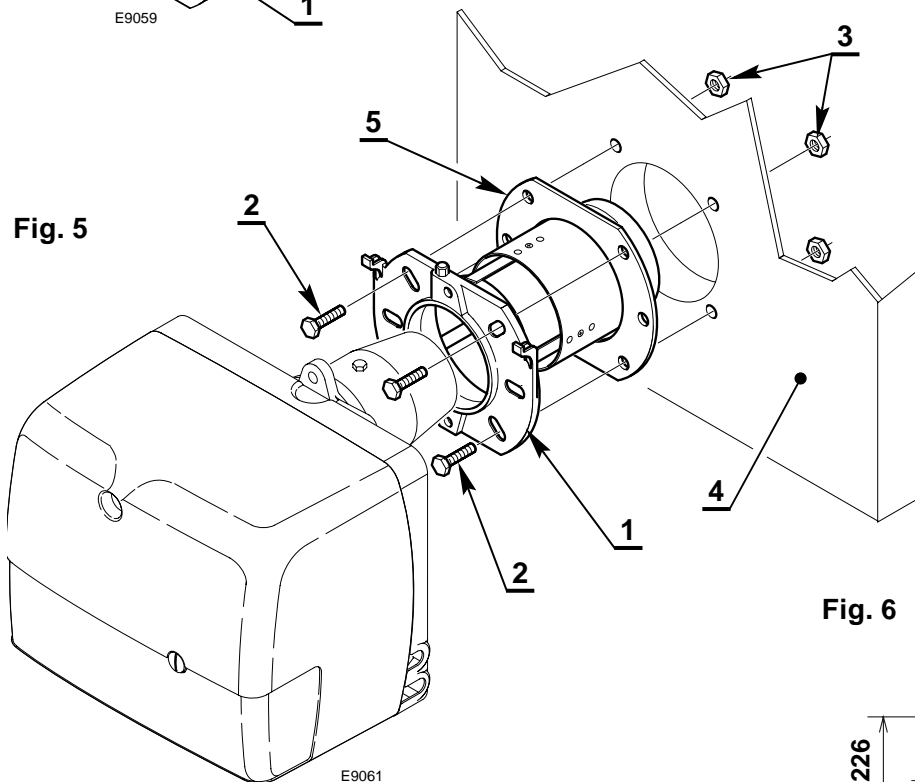


Fig. 4

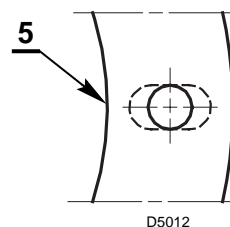
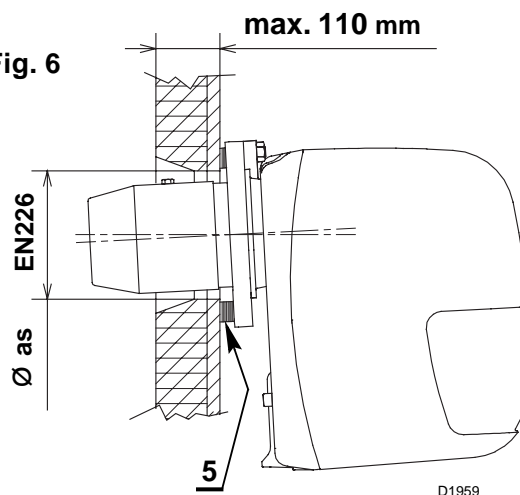


Fig. 6



WARNING

Verify that the installed burner is lightly leaned towards the button.

In order to allow this operation, the insulating gasket (5) must be installed with the higher thickness faced down (see fig. 6).

3.2 HYDRAULIC SYSTEMS

WARNING:

- The burner is designed to allow entry of the flexible oil-lines on either side of the burner.
- It is necessary to install a filter on the fuel supply line.
- The pump is designed to allow working with two pipes. In order to obtain one pipe working it is necessary to unscrew the return plug (2), remove the by-pass screw (3) and then screw again the plug (2), (see fig. 7).
- Before starting the burner make sure that the return pipe-line is not clogged. An excessive back pressure would cause the damage of the pump seal.

SYSTEM NOT PERMITTED IN GERMANY

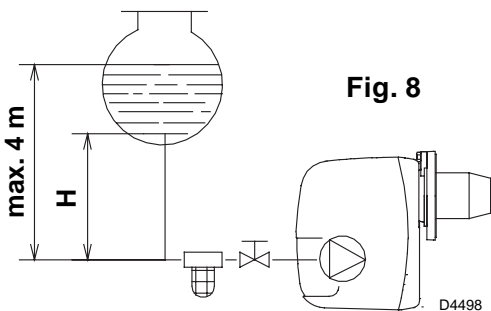
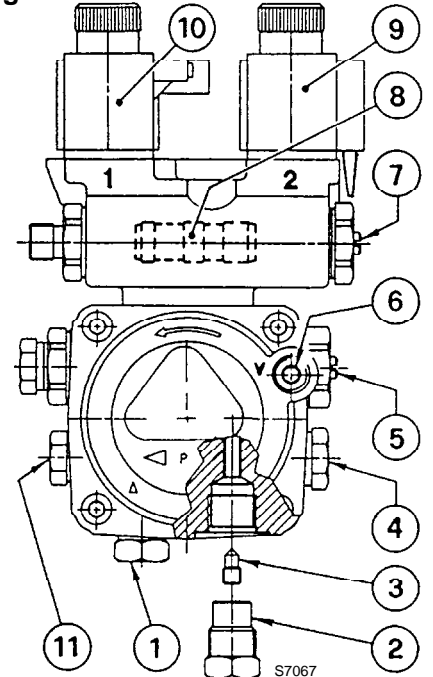


Fig. 8

H meters	L meters	
	I. D. 8 mm	I. D. 10 mm
0.5	10	20
1	20	40
1.5	40	80
2	60	100

- 1 - Suction line
- 2 - Return line
- 3 - By-pass screw
- 4 - Gauge connection
- 5 - 2nd stage pressure adjuster

Fig. 7



- 6 - Suction gauge connection
- 7 - 1st stage pressure adjuster
- 8 - Pressure reducer piston
- 9 - 2nd stage valve
- 10 - 1st stage valve
- 11 - Auxiliary pressure test point

PRIMING PUMP:

On the system in fig. 8 it is sufficient to loosen the suction gauge connection (6, fig. 7) and wait until oil flows out.

On the systems in fig. 9 and 10 start the burner and wait for the priming. Should lock-out occur prior to the arrival of the fuel, await at least 20 seconds before repeating the operation.

The pump suction should not exceed a maximum of 0.4 bar (30 cm Hg). Beyond this limit gas is released from the oil. Oil pipes must be completely tight. In the vacuum systems (fig. 10) the return line should terminate within the oil tank at the same level as the suction line. In this case a non-return valve is not required. Should however the return line arrive over the fuel level, a non-return valve is required. This solution however is less safe than previous one, due to the possibility of leakage of the valve.

H meters	L meters	
	I. D. 8 mm	I. D. 10 mm
0	35	100
0.5	30	100
1	25	100
1.5	20	90
2	15	70
3	8	30
3.5	6	20

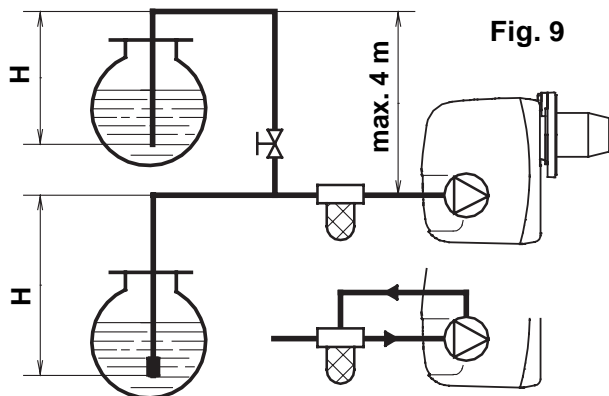


Fig. 9

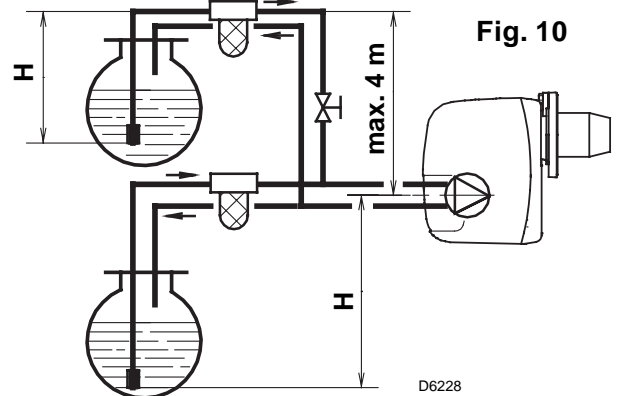
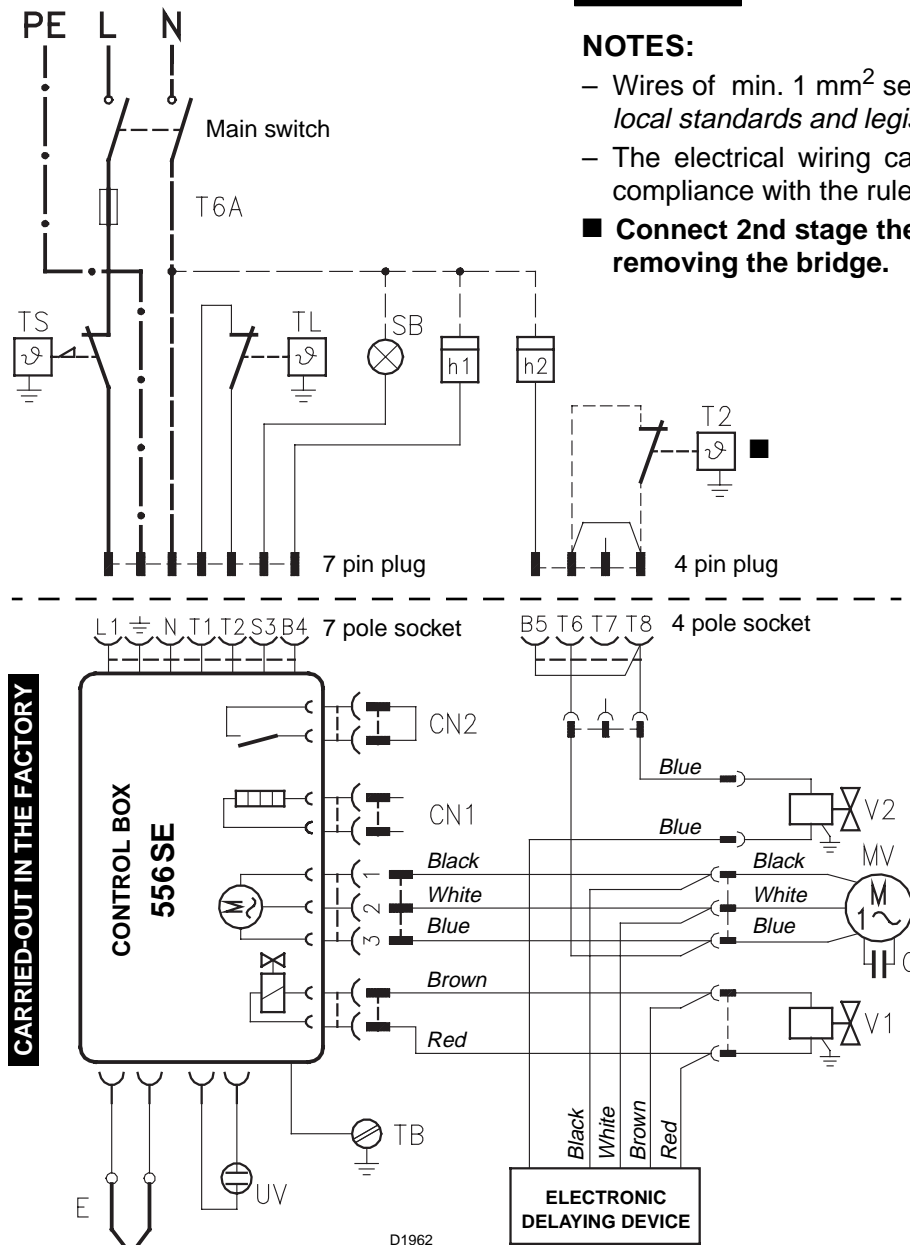


Fig. 10

H = difference of level; L = max. length of the suction line; I. D. = internal diameter of the oil pipes.

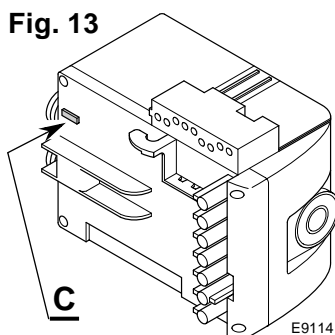
3.3 ELECTRICAL WIRING

~ 50Hz 230V



- C** Capacitor
- E** Ignition electrodes
- UV** Flame detector
- MV** Motor
- h1** 1st stage hour counter (230V - 0.1A max.)

- h2** 2nd stage hour counter (230V - 0.1A max.)
- SB** Remote lock-out signal (230V - 0.5A max.)
- T2** 2nd stage thermostat
- TB** Burner-earth
- TL** Limit thermostat
- TS** Safety thermostat
- V1** 1st stage oil valve
- V2** 2nd stage oil valve
- CN1** Protection block
- CN2** Short circuit plug



For burners installed on air generators, remove the bridge (C, fig. 13) from the control box.

WARNING DO NOT EXCHANGE NEUTRAL WITH PHASE

NOTES:

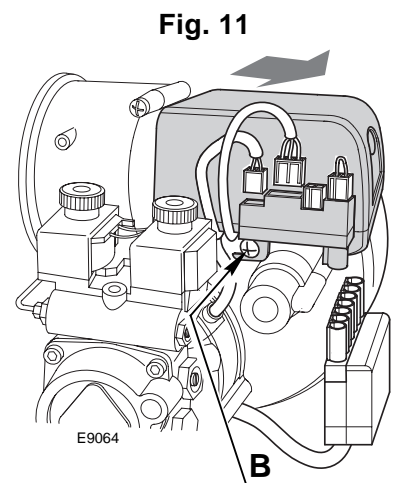
- Wires of min. 1 mm² section. (Unless requested otherwise by local standards and legislation).
- The electrical wiring carried out by the installer must be in compliance with the rules in force in the Country.
- Connect 2nd stage thermostat between clamps T6 - T8 by removing the bridge.

TESTING

Check the shut-down of the burner by opening the thermostats.

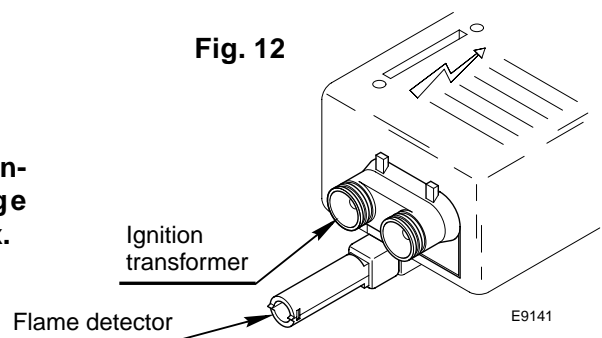
CONTROL BOX

To remove the control-box from the burner, loosen screw (B, fig. 11) and pull to the arrow direction, after removing all components, the 7 pin plug and earth wire.



ACCESS TO THE FLAME DETECTOR, (see fig. 12)

The flame detector is fitted directly into the control-box (underneath the ignition-transformer) on a plug-in support.



4. WORKING

4.1 COMBUSTION ADJUSTMENT

In conformity with Efficiency Directive 92/42/EEC the application of the burner on the boiler, adjustment and testing must be carried out observing the instruction manual of the boiler, including verification of the CO and CO₂ concentration in the flue gases, their temperatures and the average temperature of the water in the boiler.

To suit the required appliance output, choose the proper nozzle and adjust the pump pressure, the setting of the combustion head, and the air damper opening in accordance with the following schedule.

The values shown in the table are measured on SIME boiler (as EN 267).

They refer to 13% CO₂ at sea level and with light oil and room temperature of 20 °C.

The burner leaves the factory set for the matching with the Rondò - Estelle 7 boiler.

BOILER	BURNER		Nozzle		Pump pressure		Burner output		Comb. head adjustment	Air damper adjustment	
					1st stage	2nd stage	1st stage	2nd stage		1st stage	2nd stage
	Code	Model	GPH	Angle	bar		kg/h ± 4%		Set-point	Set-point	Set-point
Rondò-Estelle 7	8099110	BLUE MACK 3	1.25	60° S	10	12.8	4.6	5.08	1	2.3	2.8
1R6			1.35	60° S	10	13.5	5.02	5.83	1	2.5	3.7
1R7			1.50	60° S	10	13.0	5.84	6.55	2	2.7	3.5
1R8			1.75	60° S	10	13.3	6.33	7.42	2	3	4.5
1R9			2.00	60° S	10	12.5	7.07	8.23	3.5	3.1	5.1
2R6			2.25	60° S	9	13.0	7.8	9.56	4.0	3	8.0

IMPORTANT:

Using Danfoss 60° H nozzles, you get the best emission values.

In field, it is advisable to use Danfoss 60°S nozzles in order to make the burner working more reliable in time.

APPROXIMATE ADJUSTMENTS FOR INSTALLATION ON OTHER BOLERS

The values shown in the table are measured on a CEN boiler (as EN 267).

They refer to 13% CO₂ at sea level and with light oil and room temperature of 20 °C.

Nozzle		Pump pressure		Burner output		Comb. head adjustment	Air damper adjustment	
		bar		kg/h ± 4%			Set-point	Set-point
GPH	Angle	1st stage	2nd stage	1st stage	2nd stage	Set-point	1st stage	2nd stage
1.25	60°	9	14	4.3	5.4	1	2.1	2.7
1.35	60°	9	14	4.7	5.9	1.5	2.3	2.9
1.50	60°	9	14	5.2	6.5	2.5	2.5	3.2
1.75	60°	9	14	6.1	7.6	3	2.7	3.4
2.00	60°	9	14	7.0	8.7	4.5	2.8	4.5
2.25	60°	9	14	7.8	9.8	6	3	5.3

4.2 NOZZLES RECOMMENDED

Delavan type W ; Steinen type H;

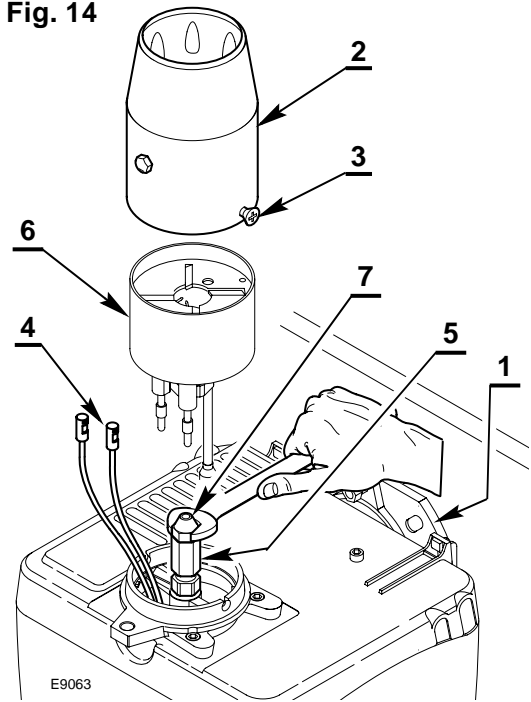
Danfoss type S - H ; Fluidics type S - H.

4.3 MAINTENANCE POSITION

Access to the combustion head, the diffuser disc-holder assembly, electrodes and nozzle, (see fig. 14).

- Remove the burner out of the boiler, after loosing the fixing nut to the flange.
- Hook the burner to the flange (1), by removing the blast tube (2) after loosening the fixing screws (3).
- Remove the small cables (4) from the electrodes and the diffuser disc-holder assembly (6) from the nozzle-holder (5) after loosening its fixing screw (3, fig. 15).
- Screw the nozzle (7).
- Reassemble, following these instructions in reverse order.

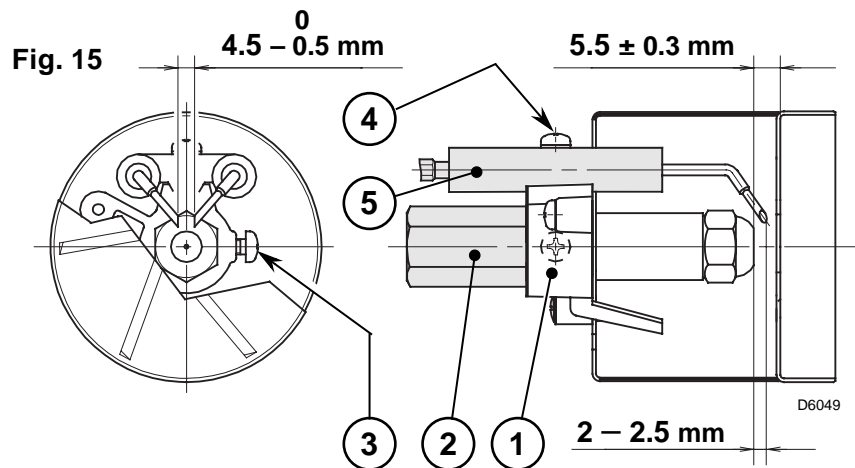
Fig. 14



4.4 ELECTRODES ADJUSTMENT, (see fig. 15)

Lean the diffuser disc-holder assembly (1) on the nozzle-holder (2) and lock it by screw (3).

For prospective adjustments loosen screw (4) and move the electrodes assembly (5).



WARNING

MEASURES MUST BE RESPECTED

4.5 COMBUSTION HEAD SETTING (see figs. 16 and 17)

This is done when fitting the nozzle, with the blast tube removed. It depends on the output of the burner and is carried out by rotating the regulating rod, till the terminal plane of the blast tube is level with the set-point, as indicated in the schedule.

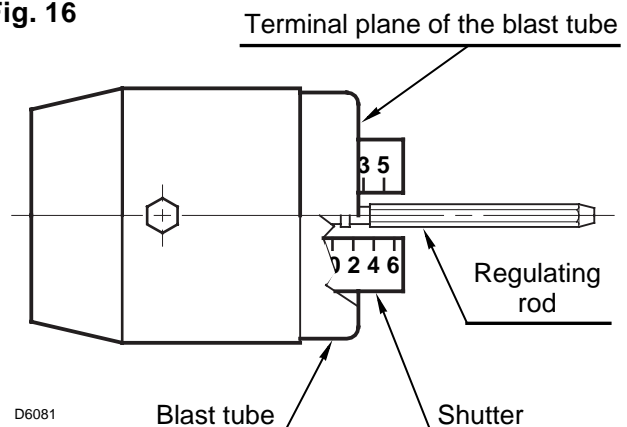
Example

In the sketch on fig. 16, the combustion head is set for an output of 1.50 GPH at 14 bar, while the shutter is level with set-point 2.5, as required by the above schedule.

Combustion head settings indicated in the schedule are valid for most cases.

The setting of the fan output according to the installation should normally be done only through the air damper. Should one subsequently want to retouch also the setting of the combustionhead, with the burner running, operate on the rod (1) with a 6 mm spanner (2).

Fig. 16



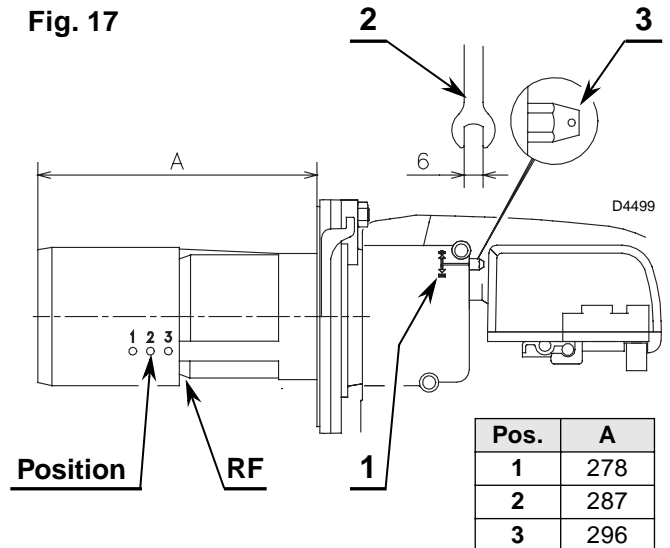
TURN TO THE RIGHT: (sign +)

In order to increase the volume of air entering the combustion chamber and thus diminishing its pressure. There is a reduction of CO₂ and the adhesion of the flame to the air diffuser disc improves.
(Setting advisable for ignitions at low temperatures).

TURN TO THE LEFT: (sign -)

In order to reduce the volume of air entering the combustion chamber and thus increasing its pressure. The CO₂ improves and the adhesion of the flame to the diffuser tends to reduce.
(This setting is not advisable for ignitions at low temperatures).

In any case do not bring the combustion head setting more than one point away from that indicated in the schedule. One set-point corresponds to 3 turns of the rod; a hole (3) at its end facilitates counting the number of turns.



4.6 RECIRCULATING PIPE ADJUSTMENT, (see fig. 17)

The burner leaves the factory with the recirculating pipe in the **Position 2**.

If necessary, in order to optimise the combustion, place the flame tube according to the combustion head as indicated in the table. It is important that the combustion chamber is enough large for the flue gases recirculation. (Pay attention to the thickness of the boiler door). By generally reducing the smoke recirculating section (**RF**), the combustion stability is increased, but emissions of NO_x are also increased.

4.7 AIR DAMPER ADJUSTMENT

The settings, indicated in the table, refer to the burner with its cover fitted and combustion chamber with depression zero. These regulations are purely indicative.

Each installation however, has its own unpredictable working conditions: actual nozzle output; positive or negative pressure in the combustion-chamber, the need of excess air, etc.

All these conditions may require a different air-damper setting.

It is important to take account of the fact that the air output of the fan differs according to whether the burner has its cover fitted or not. Therefore we recommended to proceed as follows:

- Adjust the air damper as indicated in the schedule of page 6.
- Place the cover on the burner and screw the fixing screw.
- Check smoke number and CO₂.
- Should it become necessary to modify the air output, remove the cover by loosening the screw, adjust the air damper, remount the cover and finally recheck the smoke number.

4.8 PUMP PRESSURE AND AIR OUTPUT, (see figs. 18 and 19)

The burner is provided with a hydraulic device controlled by the electronic start delaying device which reduces to approx. 70% the max. output of light oil and air.

1st STAGE ADJUSTMENT

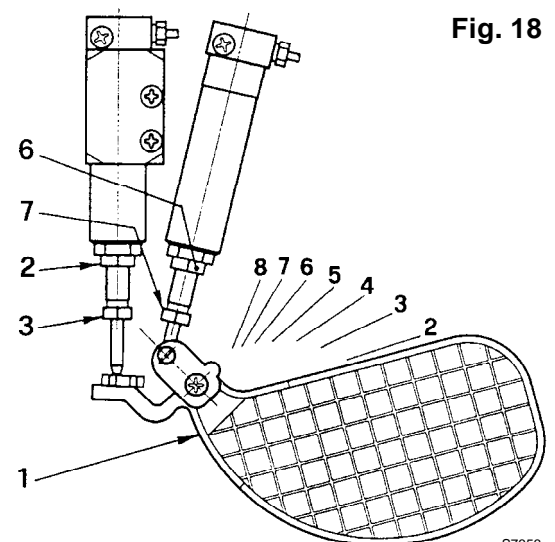
Adjustment of air shutter

Unloosen the nut (2), turn the screw (3) until the air shutter (1) reaches the position desired. Then lock the nut (2).

Pressure regulation

This is set at 9 bar at the factory.

Should such pressure be reset or changed, just turn the screw (4). The pressure gauge must be mounted in place of cap (5).



2nd STAGE ADJUSTMENT

Adjustment of air shutter

Unloosen the nut (6), turn the screw (7) until the air shutter (1) reaches the position desired. Then lock the nut (6).

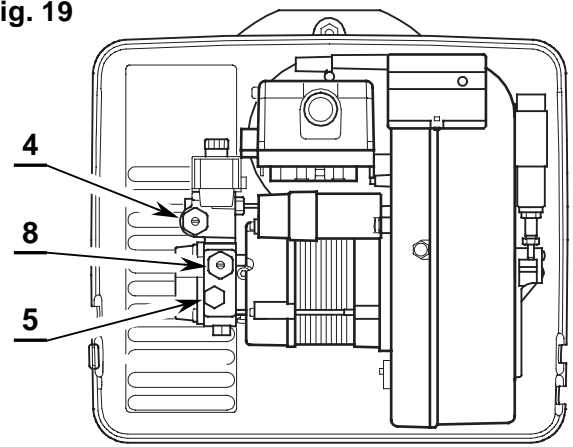
Pressure regulation

This is set at 14 bar at the factory.

Should such pressure be reset or changed, just turn the screw (8).

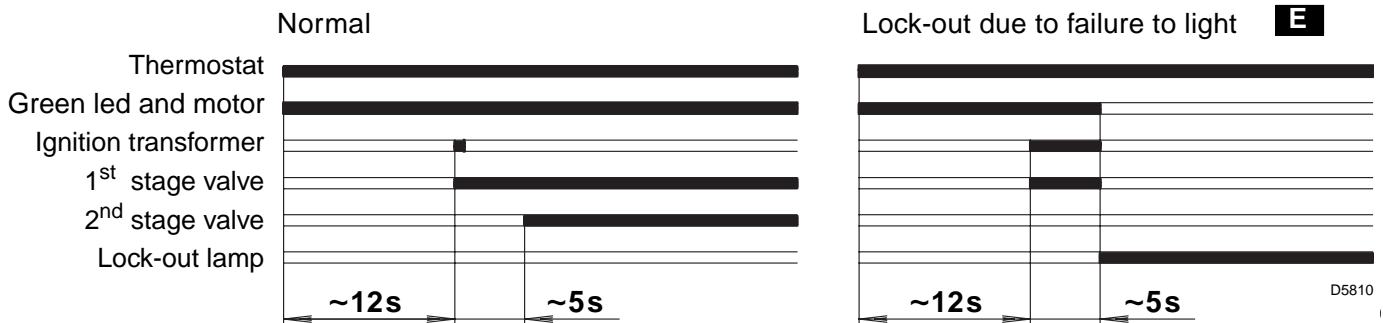
The pressure gauge must be mounted in place of cap (5).

Fig. 19



D6057

4.9 BURNER START-UP CYCLE



D5810

E Lock out is indicated by a lamp on the control box (3, fig. 1, page 1).

5. MAINTENANCE

The burner requires periodic maintenance carried out by a qualified and authorised technician **in conformity with legislation and local standards**.

Maintenance is essential for the reliability of the burner, avoiding the excessive consumption of fuel and consequent pollution.

Before carrying out any cleaning or control always first switch off the electrical supply to the burner acting on the main switch of the system.

THE BASIC CHECKS ARE:

- Check that there are not obstructions or dents in the supply or return oil pipes.
- Clean the filter in the oil suction line and in the pump.
- Clean the flame detector, (fig. 12, page 5).
- Check for correct fuel consumption.
- Replace the nozzle (fig. 14, page 7) and check the correct position of electrodes (fig. 15, page 7).
- Clean the combustion head in the fuel exit area, on the diffuser disc.
- Leave the burner working without interruptions for 10 min. and check the right settings at 1st and 2nd stage of all components stated in this manual. Then carry out a combustion check verifying:
 - Smoke temperature at the chimney;
 - Content of CO₂ (%);
 - Content of CO (ppm);
 - Smoke value according to opacity smokes index according to Bacharach scale.

6. FAULTS / SOLUTIONS

Here below you can find some causes and the possible solutions for some problems that could cause a failure to start or a bad working of the burner.

A fault usually makes the lock-out lamp light which is situated inside the reset button of the control box (3, fig. 1, page 1). When lock out lamp lights the burner will attempt to light only after pushing the reset button. After this if the burner functions correctly, the lock-out can be attributed to a temporary fault. If however the lock out continues the cause must be determined and the solution found.

FAULTS	POSSIBLE CAUSES	SOLUTION
The led on the control box is off and the burner does not start.	Lack of electrical supply.	Check presence of voltage in the L1 - N clamps of the 7 pin plug.
		Check the conditions of the fuses.
	The connections in the control box are wrongly inserted.	Check that safety thermostat is not lock out.
The green led is on and the burner remains in the pre-purge phase.	The flame detector sees false.	Eliminate the light.
	The flame detector is dirty.	Clear it.
Burner runs normally in the pre-purge and ignition cycle and locks out after 5 seconds ca.	The flame detector is defective.	Change it.
	Flame moves away or fails.	Check pressure and output of the fuel.
		Check air output.
		Change nozzle.
		Check the coil of solenoid valve 1 st stage.
Burner starts with an ignition delay.	The ignition electrodes are wrongly positioned.	Adjust them according to the instructions of this manual.
	Air output is too high.	Set the air output according to the instructions of this manual.
	Nozzle dirty or worn.	Replace it.
The burner remains in 1st stage.	Faulty 2 nd stage thermostat.	Check the thermostat and the connections to the delay device.
	The delay device does not work.	Check the tension (230V) at the ends of the solenoid valve coil 2 nd stage.
		Check the coil leads (2 nd stage) for 230V. If a failure is detected check connections and replace the delay device if require.
The burner goes always in 2nd stage.	Faulty 2 nd stage thermostat or the bridge is in place in the 4 pin plug.	Verify that the bridge between T6 and T8 of the 4 pin plug (see page 5) has been removed.

WARNING

The manufacturer cannot accept responsibility for any damage to persons, animals or property due to error in installation or in the burner adjustment, or due to improper or unreasonable use or non observance of the technical instruction enclosed with the burner, or due to the intervention of unqualified personnel.

SOMMAIRE

1. DESCRIPTION DU BRULEUR.....	1	4.2 Gicleur conseillés	6
1.1 Matériel fourni	1	4.3 Position d'entretien	7
2. DONNEES TECHNIQUES	2	4.4 Réglage des électrodes.....	7
2.1 Données techniques	2	4.5 Réglage tête de combustion	7
2.2 Dimensions	2	4.6 Réglage tube de recirculation	8
2.3 Plage de travail	2	4.7 Réglage volet d'air	8
3. INSTALLATION.....	3	4.8 Pression pompe et débit air.....	8
3.1 Fixation à la chaudière.....	3	4.9 Programme de mise en marche.....	9
3.2 Installations hydrauliques.....	4	5. ENTRETIEN	9
3.3 Raccordements électriques	5	6. PANNES / REMEDES.....	10
4. FONCTIONNEMENT	6		
4.1 Réglage de la combustion	6		

1. DESCRIPTION DU BRULEUR

Brûleur de fioul à fonctionnement à deux allures avec basses émissions de polluants (Oxyde d'Azote NOx, Oxyde de Carbone CO et Hydrocarbures imbrûlés).

- Brûleur conforme au degré de protection IP X0D (IP 40) selon EN 60529.
- Brûleur avec label CE conformément aux directives CEE: EMC 89/336/CEE, Basse Tension 73/23/CEE, Machines 98/37/CEE et rendement 92/42/CEE.
- CE Certification N. : **0036 0247/99** selon 92/42/CEE.

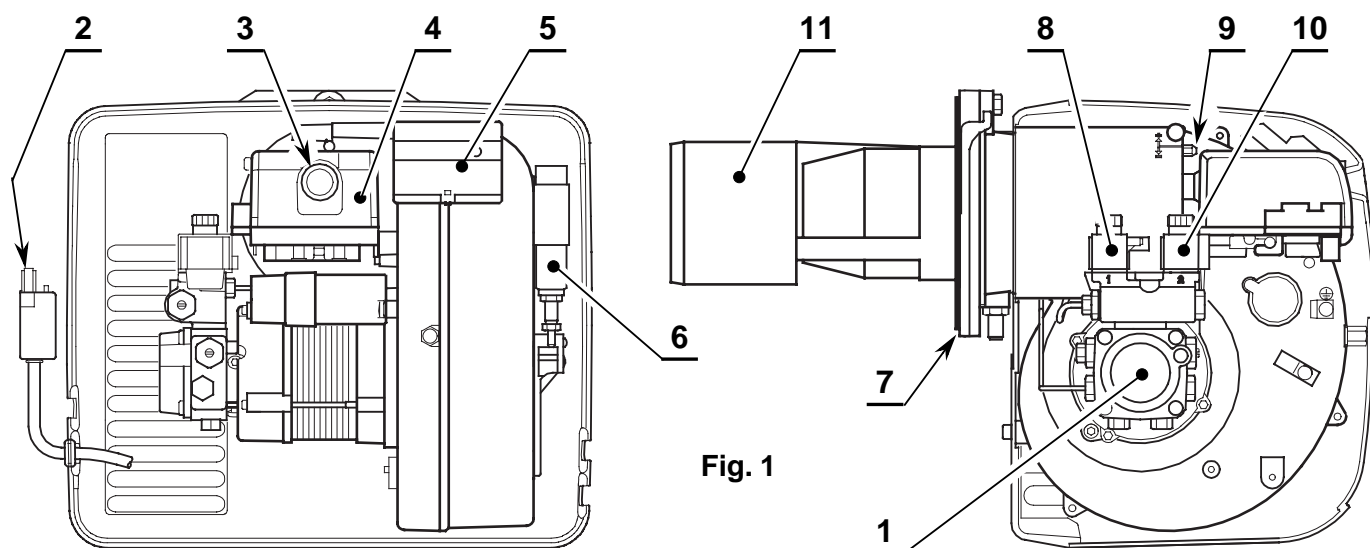


Fig. 1

D6074

- | | |
|---|------------------------------------|
| 1 – Pompe avec variateur de pression | 6 – Vérins hydrauliques |
| 2 – Prise 4 pôles | 7 – Bride avec joint isolant |
| 3 – Bouton de réarmement avec signalisation de sécurité | 8 – Vanne 1 ^{ère} allure |
| 4 – Boîte de commande et de contrôle | 9 – Vis réglage tête de combustion |
| 5 – Retardateur électronique | 10 – Vanne 2 ^{ème} allure |
| | 11 – Tube de recirculation |

1.1 MATERIEL FOURNI

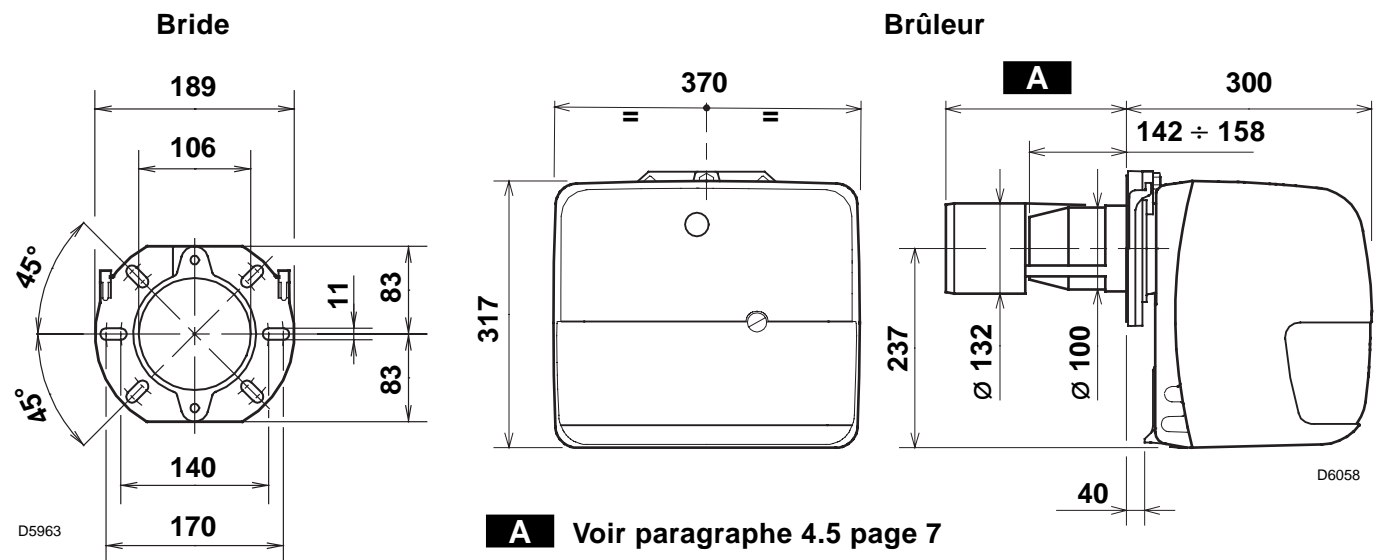
Bride avec joint isolant	N° 1	Vis et écrous pour bride de montage sur la chaudière ..	N° 4
Vis et écrous pour bride	N° 1	Flexibles avec nipples	N° 2
Presse-étoupe.....	N° 1	Tube de recirculation	N° 1
Fiche 4 pôles	N° 1	Fiche 7 pôles.....	N° 1
Bride pour chaudière (seulement pour model 1R6)	N° 1		

2. DONNEES TECHNIQUES

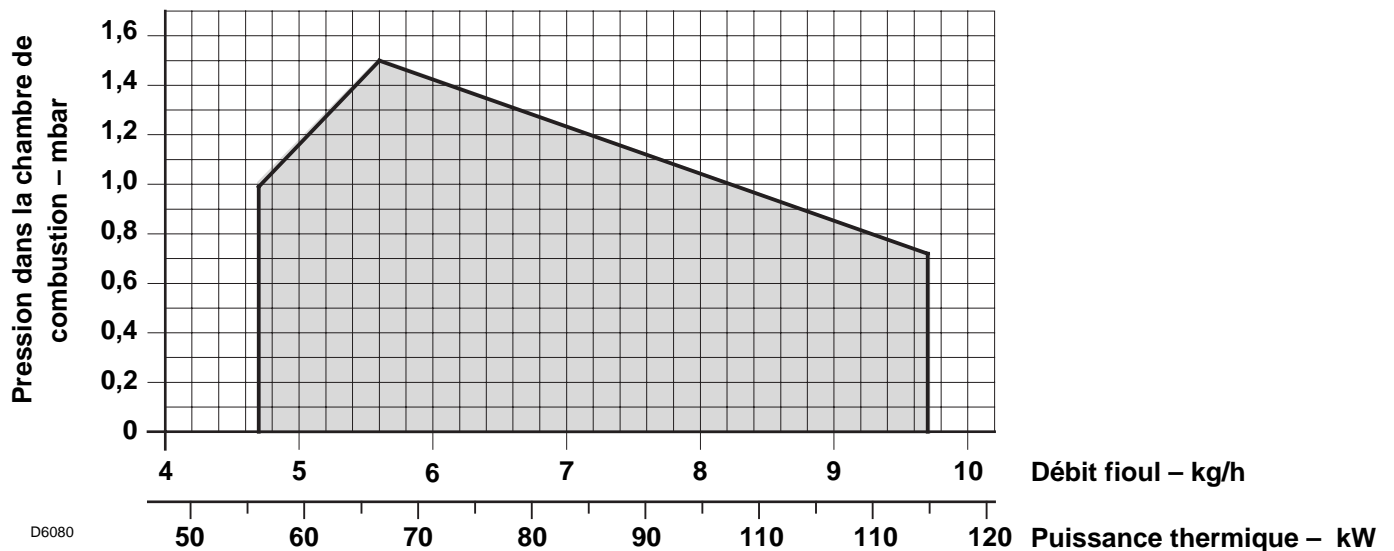
2.1 DONNEES TECHNIQUES

TYPE	419T
Débit - Puissance thermique	4,7/5,6 ÷ 9,7 kg/h – 55,7/66,4 ÷ 115 kW
Combustible	Fioul domestique, viscosité 4 ÷ 6 mm ² /s à 20°C
Alimentation électrique	Monophasée, ~ 50Hz 230V ± 10%
Moteur	1,5A absorbés – 2850 t/min – 298 rad/s
Condensateur	6,3 µF
Transformateur d'allumage	Secondaire 8 kV – 16 mA
Pompe	Pression: 7 ÷ 15 bar
Puissance électrique absorbée	0,276 kW

2.2 DIMENSIONS



2.3 PLAGES DE TRAVAIL (selon EN 267)



3. INSTALLATION

LE BRÛLEUR DOIT ÊTRE INSTALLÉ CONFORMÉMENT AUX LOIS ET AUX RÉGLEMENTATIONS LOCALES.

3.1 FIXATION A LA CHAUDIERE

- Insérer le tube de recirculation (6) sur la bride (1) et fixer par la vis (7), (voir fig. 2).
- Insérer sur la bride (1) la vis (9) et deux écrous (10), (voir fig. 3).
- Elargir, si nécessaire, les trous dans le joint isolant (5, fig. 4).
- Fixer sur la plaque de la chaudière (4) la bride (1) par l'intermédiaire des vis (2) et (si nécessaire) des écrous (3) en **interposant le joint isolant (5)**, (voir fig. 5).

Attention:

Si le trou de la plaque de la chaudière (4) est inférieur à 110 mm, dévisser les 3 vis (8) et enlever le tube de recirculation (6) avant de fixer la bride (1) à la chaudière. Ouvrir la porte de la chaudière (4), monter le tube de recirculation (6) et le bloquer avec les trois vis (8).

Fig. 2

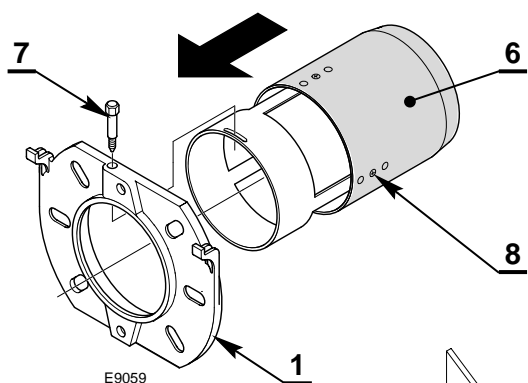


Fig. 3

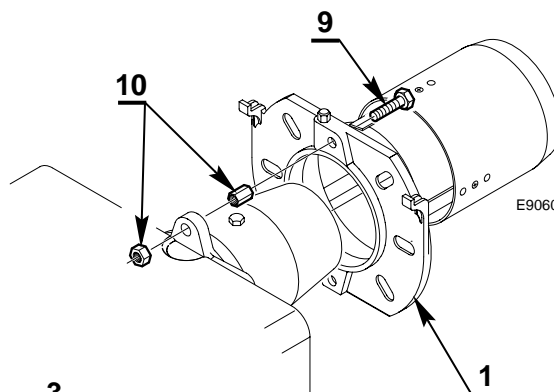


Fig. 5

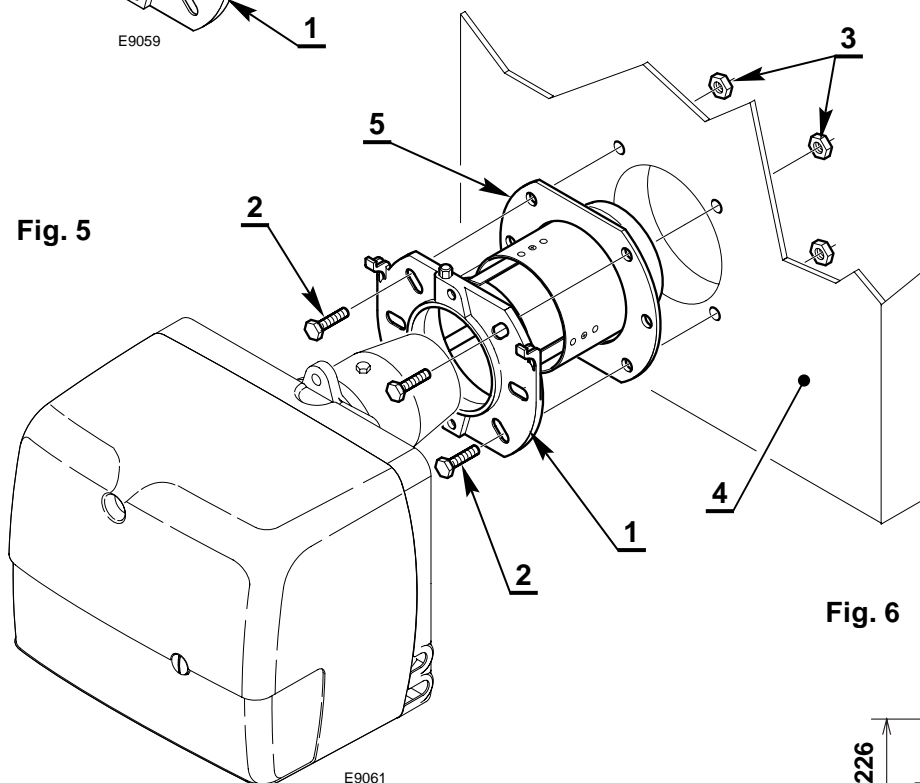


Fig. 4

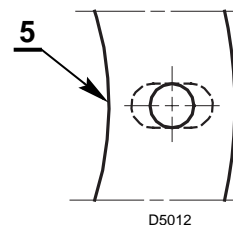
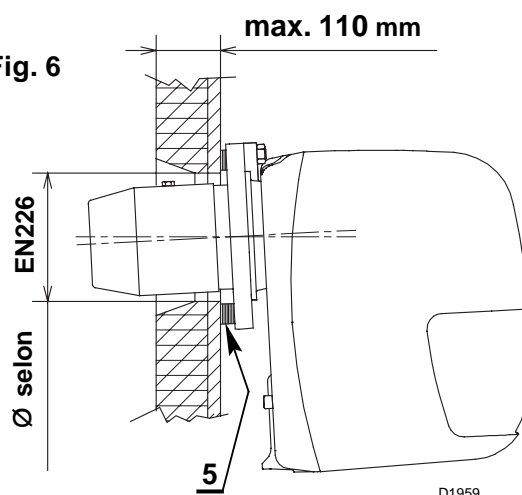


Fig. 6



ATTENTION

Après installation, le brûleur doit être un peu incliné.

Pour obtenir l'inclinaison, le joint isolant (5) doit être installé avec la partie la plus épaisse vers le bas (voir fig. 6).

3.2 INSTALLATIONS HYDRAULIQUES

ATTENTION:

- Le brûleur est prévu pour recevoir les tubes d'alimentation du fuel d'un côté ou de l'autre.
- Il est nécessaire d'installer un filtre sur la ligne d'alimentation du combustible.
- La pompe est prévue pour un fonctionnement en bitube. Pour le fonctionnement en mono-tube, il faut dévisser le bouchon de retour (2), enlever la vis de by-pass (3) et ensuite revisser le bouchon (2), (voir fig. 7).
- Avant de mettre en fonction le brûleur il faut s'assurer que le tube de retour du combustible ne soit pas obstrué. Une contre-pression excessive provoquerait la rupture de l'organe d'étanchéité de la pompe.

INSTALLATION EN MONO-TUBE PAR GRAVITE (NON AUTORISÉE EN ALLEMAGNE)

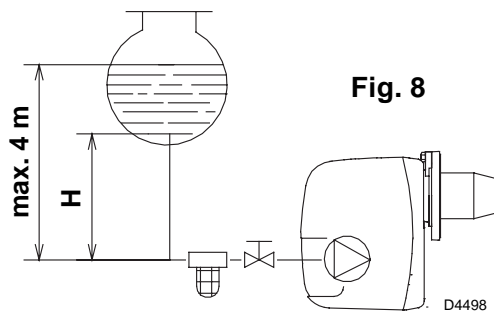
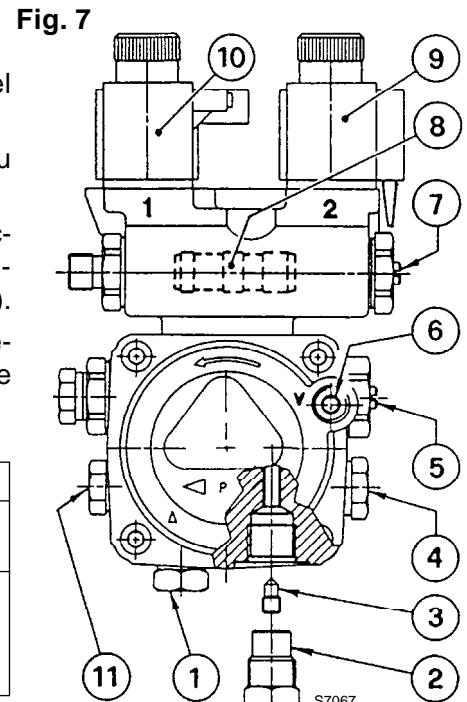


Fig. 8

H mètres	L mètres	
	ø i 8 mm	ø i 10 mm
0,5	10	20
1	20	40
1,5	40	80
2	60	100

- | | |
|--|--|
| 1 - Aspiration | 6 - Raccord vacuomètre |
| 2 - Retour | 7 - Régulateur de pression 1ère allure |
| 3 - Vis de by-pass | 8 - Piston variateur de pression |
| 4 - Raccord manomètre | 9 - Vanne 2ème allure |
| 5 - Régulateur de pression 2ème allure | 10 - Vanne 1ère allure |
| | 11 - Prise de pression auxiliaire |



AMORÇAGE DE LA POMPE:

Dans l'installation en fig. 8, il faut desserrer le raccord du vacuomètre (6, fig. 7) jusqu'à la sortie du combustible.

Dans les installations en fig. 9 et 10, mettre en marche le brûleur et attendre l'amorçage. Si la mise en sécurité se produit avant l'arrivée du combustible, attendre au moins 20 secondes, puis recommencer cette opération.

Il ne faut pas dépasser la dépression max. de 0,4 bar (30 cm Hg). Au-dessus de cette valeur, il y a dégazage du combustible. Les tuyauteries doivent être parfaitement étanches.

Dans les installations par dépression (fig. 10), la tuyauterie de retour doit arriver à la même hauteur que celle d'aspiration. Dans ce cas il n'y a pas besoin de clapet de pied. Dans le cas contraire, le clapet de pied est indispensable.

Cette deuxième solution est moins sûre que la précédente en raison du manque d'étanchéité éventuel de ce clapet.

H mètres	L mètres	
	ø i 8 mm	ø i 10 mm
0	35	100
0,5	30	100
1	25	100
1,5	20	90
2	15	70
3	8	30
3,5	6	20

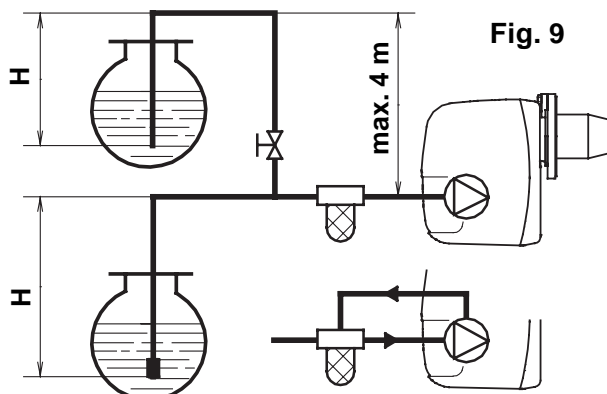


Fig. 9

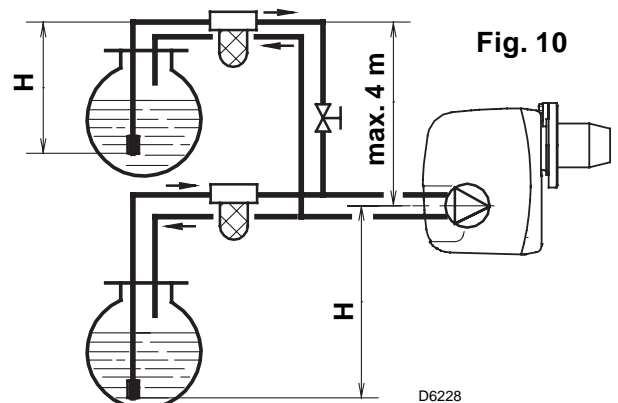


Fig. 10

H = différence de niveau; L = longueur maximum du tube d'aspiration; ø i = diamètre interne du tube.

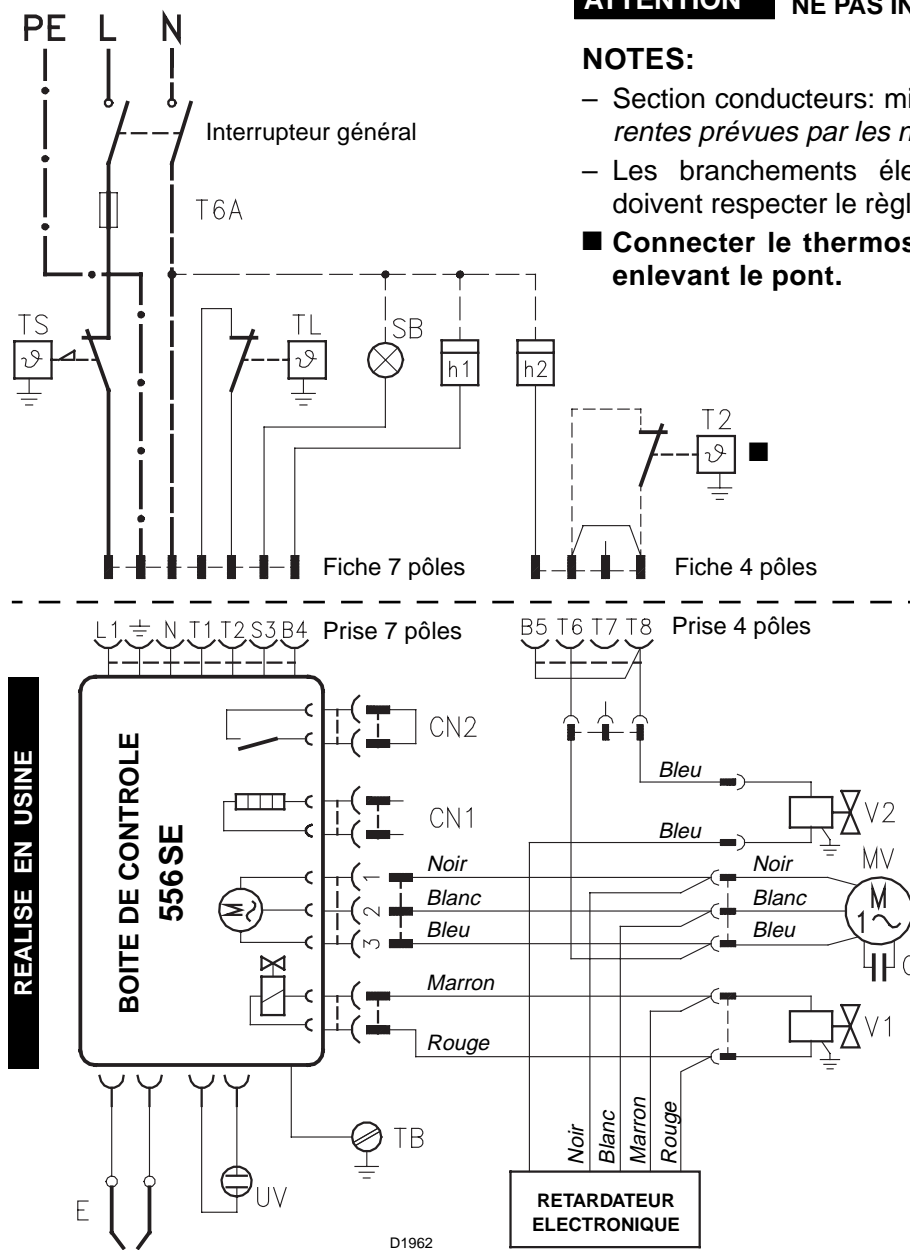
3.3 RACCORDEMENTS ELECTRIQUES

~ 50Hz 230V

ATTENTION NE PAS INVERSER LE NEUTRE AVEC LA PHASE

NOTES:

- Section conducteurs: min. 1 mm². (Sauf des indications différentes prévues par les normes et les lois locales).
- Les branchements électriques exécutés par l'installateur doivent respecter le règlement en vigueur dans le Pays.
- **Connecter le thermostat 2^{ème} allure entre T6 et T8 en enlevant le pont.**



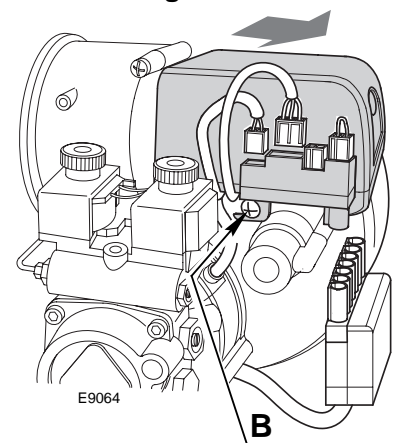
VERIFICATION:

Vérifier l'arrêt du brûleur à l'ouverture des thermostats.

BOITE DE CONTROLE

Pour enlever la boîte de contrôle du brûleur, dévisser la vis (B, fig. 11) et tirer du côté de la flèche, après avoir débranché tous les composants, la fiche 7 pôles et le fil de terre.

Fig. 11

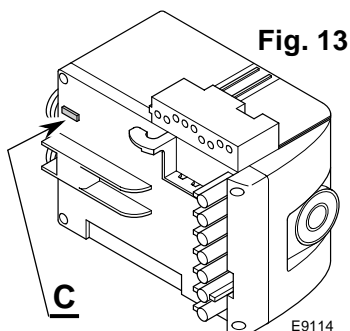
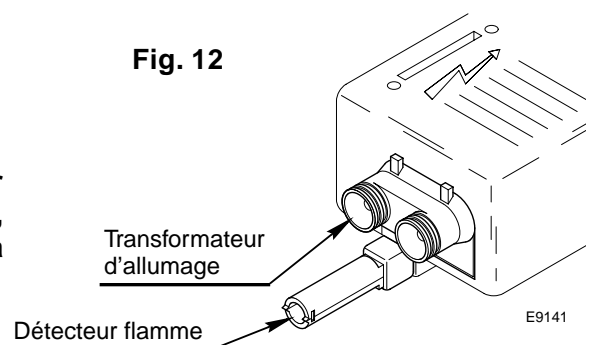


- | | |
|---|---|
| C Condensateur | SB Signalisation de sécurité extérieure (230V - 0,5A max.) |
| E Electrodes d'allumages | T2 Thermostat 2 ^{ème} allure |
| UV Détecteur flamme | TB Terre brûleur |
| MV Moteur | TL Thermostat de limite |
| h1 Compteur horaire 1 ^{ère} allure (230V - 0,1A max.) | TS Thermostat de sécurité |
| h2 Compteur horaire 2 ^{ème} allure (230V - 0,1A max.) | V1 Vanne fioul 1 ^{ère} allure |
| | V2 Vanne fioul 2 ^{ème} allure |
| | CN1 Prise de protection |
| | CN2 Prise de court-circuit |

ACCESSIBILITE AU DETECTEUR FLAMME, (voir fig. 12)

Le détecteur flamme est monté directement sur la boîte de contrôle (au-dessous du transformateur d'allumage) sur un support à embrochage rapide.

Fig. 12



Pour des brûleurs installés sur des générateurs à air chaud, enlever le pont (C, fig. 13) de la boîte de contrôle.

4. FONCTIONNEMENT

4.1 REGLAGE DE LA COMBUSTION

Conformément à la Directive rendement 92/42/CEE, suivre les indications du manuel de la chaudière pour monter le brûleur, effectuer le réglage et l'essai, contrôler la concentration de CO et CO₂, dans les fumées, leur température et celle moyenne de l'eau de la chaudière.

Selon le débit nécessaire pour la chaudière, il faut déterminer le gicleur, la pression de la pompe, le réglage de la tête de combustion et le réglage du volet d'air, selon le tableau ci-dessous.

Les valeurs indiquées sur le tableau sont obtenues sur une chaudière SIME (selon EN 267).

Elles se réfèrent à 13% de CO₂, au niveau de la mer, avec une température ambiante et du fioul de 20 °C.

Le brûleur quitte l'usine réglé pour l'occouplement avec la chaudière Rondò-Estelle 7.

CHAUDIÈRE	BRÛLEUR		Gicleur		Pression pompe		Débit brûleur		Réglage tête	Réglage volet d'air	
					1ère allure	2ème allure	1ère allure	2ème allure		1ère allure	2ème allure
	Code	Model	GPH	Angle	bar		kg/h ± 4%		Index	Index	Index
Rondò-Estelle 7	8099110	BLUE MACK 3	1,25	60° S	10	12,8	4,6	5,08	1	2,3	2,8
1R6			1,35	60° S	10	13,5	5,02	5,83	1	2,5	3,7
1R7			1,50	60° S	10	13,0	5,84	6,55	2	2,7	3,5
1R8			1,75	60° S	10	13,3	6,33	7,42	2	3	4,5
1R9			2,00	60° S	10	12,5	7,07	8,23	3,5	3,1	5,1
2R6			2,25	60° S	9	13,0	7,8	9,56	4,0	3	8,0

IMPORTANT:

On obtient les meilleures valeurs d'émissions en utilisant les gicleurs Danfoss 60° H.

Sur le champ, il vaut mieux utiliser les gicleurs Danfoss 60° S pour rendre plus durable le fonctionnement du brûleur.

REGLAGE INDICATIF POUR INSTALLATION SUR AUTRES CHAUDIERES

Les valeurs indiquées sur le tableau sont obtenues sur une chaudière CEN (selon EN 267).

Elles se réfèrent à 13% de CO₂, au niveau de la mer, avec une température ambiante et du fioul de 20 °C.

Gicleur		Pression pompe		Débit brûleur		Réglage tête combustion	Réglage volet d'air	
		1ère allure	2ème allure	1ère allure	2ème allure		1ère allure	2ème allure
GPH	Angle	bar	bar	kg/h ± 4%		Index	Index	Index
1,25	60°	9	14	4,3	5,4	1	2,1	2,7
1,35	60°	9	14	4,7	5,9	1,5	2,3	2,9
1,50	60°	9	14	5,2	6,5	2,5	2,5	3,2
1,75	60°	9	14	6,1	7,6	3	2,7	3,4
2,00	60°	9	14	7,0	8,7	4,5	2,8	4,5
2,25	60°	9	14	7,8	9,8	6	3	5,3

4.2 GICLEURS CONSEILLES

Delavan type W ; Steinen type H;

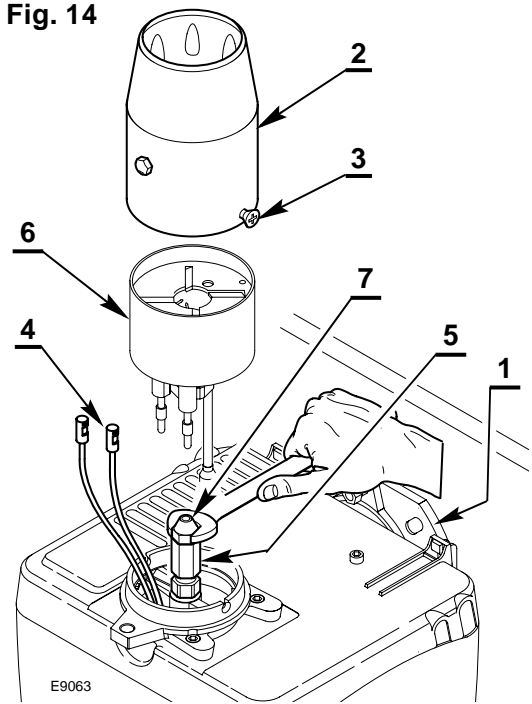
Danfoss type S - H ; Fluidics type S - H.

4.3 POSITION D'ENTRETIEN

Accès à la tête de combustion, au support de l'accroche flamme, aux électrodes et au gicleur, (voir fig. 14).

- Enlever le brûleur de la chaudière, en enlevant l'écrou de fixation à la bride.
- Accrocher le brûleur à la bride (1), enlever le gueulard (2) après avoir desserré les vis (3).
- Débrancher les câbles (4) des électrodes, enlever de la ligne porte gicleur (5) le support de l'accroche flamme (6) après avoir desserré la vis (3, fig. 15).
- Visser le gicleur (7).
- Effectuer les mêmes opérations mais en sens inverse pour remonter les pièces.

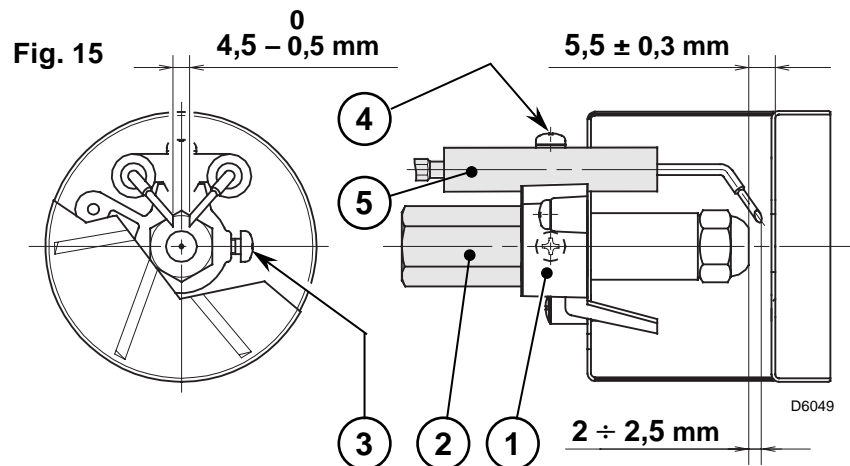
Fig. 14



4.4 REGLAGE DES ELECTRODES, (voir fig. 15)

Appuyer le support de l'accroche-flamme (1) au porte-gicleur (2) et bloquer avec la vis (3).

Pour éventuels ajustements desserrer la vis (4), et déplacer le groupe des électrodes (5).



ATTENTION

LES DISTANCES DOIVENT ETRE RESPECTEES.

4.5 REGLAGE TETE DE COMBUSTION, (voir fig. 16 et 17)

Il est fait, au moment du montage du gicleur, avec gueulard démonté. Il dépend du débit du brûleur et on l'obtient en tournant la tige de réglage, jusqu'à ce que le plan terminal du gueulard concorde avec l'encoche indiquée dans le tableau.

Exemple:

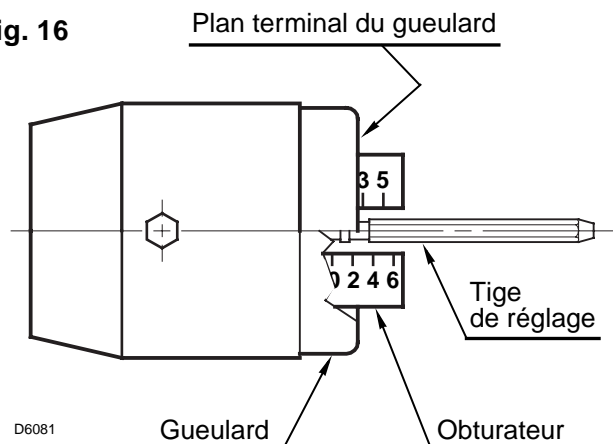
Dans le dessin de fig. 16, la tête est réglée pour un débit de 1,50 GPH à 14 bar. L'obturateur est en effet dans la position 2,5, comme indiqué dans le tableau.

Les réglages de la tête de combustion indiqués dans le tableau sont valables dans la majorité des cas.

L'adaptation du débit du ventilateur à l'installation n'est faite, normalement, que par le volet d'air.

Dans le cas où il serait nécessaire de retoucher, brûleur fonctionnant, aussi le réglage de la tête de combustion, agir sur la tige (1) au moyen d'une clef de 6 mm (2).

Fig. 16



TOURNER VERS LA DROITE: (signe +)

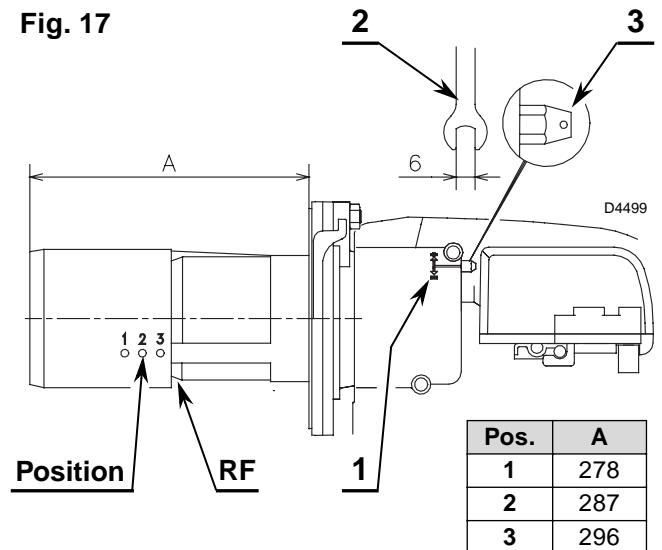
Pour augmenter la quantité d'air introduite dans la chambre de combustion et réduire la pression à la tête. La quantité de CO₂ baisse et l'accrochage de la flamme s'améliore. (Réglage indiqué pour des allumages à basse température).

TOURNER VERS LA GAUCHE: (signe -)

Pour réduire la quantité d'air introduite dans la chambre de combustion et augmenter la pression à la tête. La quantité de CO₂ s'améliore et l'accrochage de la flamme se réduit. (Réglage déconseillé pour des allumages à basse température).

En tous cas, le réglage de la tête de combustion ne doit pas s'écarter de plus d'une encoche de la valeur indiquée dans le tableau. Chaque encoche correspond à trois tours de la tige. Un trou (3) à son extrémité aide à compter les tours.

Fig. 17



4.6 REGLAGE TUBE DE RECIRCULATION, (voir fig. 17)

Le brûleur sort de l'usine avec le tube de recirculation en **position 2**.

Si nécessaire, pour améliorer la combustion, placer le gueulard en fonction de la géométrie de la tête de combustion selon le tableau. Il est important que la chambre de combustion soit suffisamment grande pour la circulation des fumées. (Faire attention à l'épaisseur de la porte de la chaudière).

En réduisant la section du tube de recirculation des fumées (RF), on augmente généralement la stabilité de la combustion mais également les émissions de NOx.

4.7 REGLAGE VOLET D'AIR

Les réglages reproduits dans le tableau se réfèrent au brûleur avec capot monté et dépression zéro; ils sont purement indicatifs. Chaque installation a des conditions de fonctionnement propres, qu'on ne peut pas prévoir: débit effectif du gicleur, pression ou dépression dans la chambre de combustion, excès d'air nécessaire, etc. . . Toutes ces conditions peuvent exiger un réglage divers du volet d'air.

Il est important de tenir compte que l'air soufflé par le ventilateur diffère selon que le capot est monté ou non sur le brûleur. Il faut donc procéder comme suit:

- Régler le volet d'air comme indiqué dans le tableau de page 6.
- Monter le capot.
- Contrôler l'indice de noircissement et CO₂.
- S'il est nécessaire, varier le débit d'air, desserrer la vis du capot, enlever ce dernier, agir sur le volet d'air, remonter le capot et alors reconstrôler l'indice de noircissement.

4.8 PRESSION POMPE ET DEBIT AIR,

(voir fig. 18 et 19)

Le brûleur est doté d'un dispositif hydraulique commandé par le retardateur électronique qui réduit le débit maximum du combustible et de l'air à environ 70%.

REGLAGE 1^{ère} ALLURE

Réglage volet d'air

Desserrer l'écrou (2), tourner la vis (3) jusqu'au moment où le volet d'air (1) atteint la position désirée.

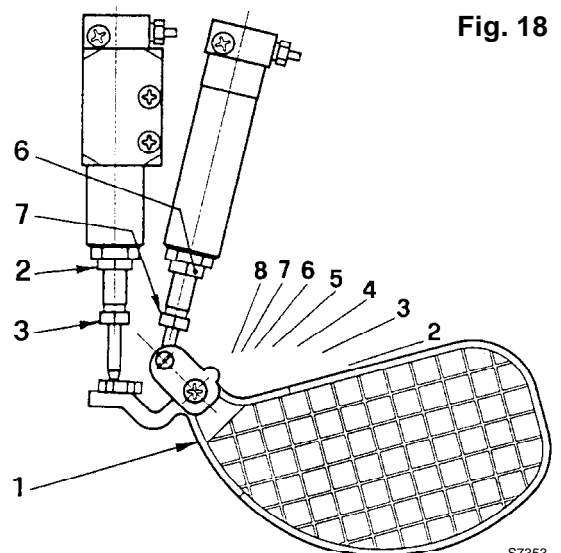
Puis bloquer l'écrou (2).

Réglage pression

Réglée à l'usine à 9 bar.

Si la pression doit être réglée de nouveau ou variée, il suffit de tourner la vis (4). Le manomètre pour le contrôle de la pression doit être monté à la place du bouchon (5).

Fig. 18



REGLAGE 2^{ème} ALLURE

Réglage volet d'air

Desserrer l'écrou (6), tourner la vis (7) jusqu'au moment où le volet d'air (1) atteint la position désirée.

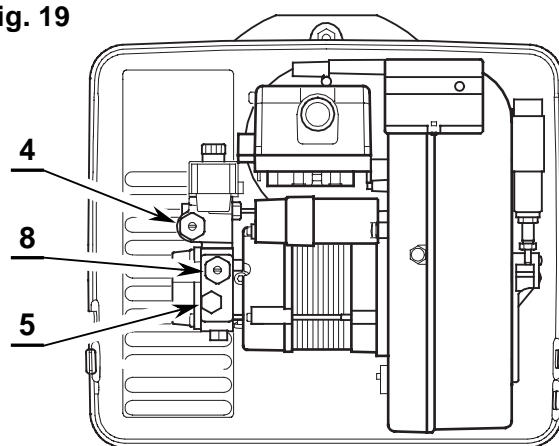
Puis bloquer l'écrou (6).

Réglage pression

Réglée à l'usine à 14 bar.

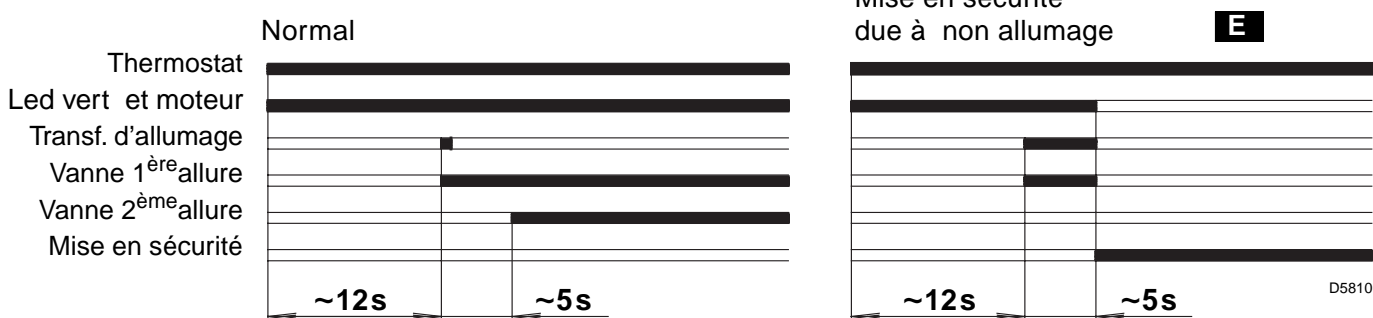
Si la pression doit être réglée de nouveau ou variée, il suffit de tourner la vis (8). Le manomètre pour le contrôle de la pression doit être monté à la place du bouchon (5).

Fig. 19



D6057

4.9 PROGRAMME DE MISE EN MARCHÉ



D5810

E Signalée par le LED sur la boîte de commande et de contrôle (3, fig. 1, page 1).

5. ENTRETIEN

Le brûleur a besoin d'un entretien périodique qui doit être exécuté par du personnel spécialisé, **conformément aux lois et aux réglementations locales**.

L'entretien est indispensable pour un bon fonctionnement du brûleur, cela évite également les consommations de combustible excessives et donc les émissions d'agents polluants.

Avant chaque opération de nettoyage ou de contrôle, couper l'alimentation électrique en agissant sur l'interrupteur général.

LES OPERATIONS ESSENTIELLES A EFFECTUER SONT:

- Contrôler qu'il n'y a pas d'obturation ou d'altération des tuyauteries d'alimentation et de retour du combustible.
- Effectuer le nettoyage du filtre de la ligne d'aspiration du combustible et le filtre de la pompe.
- Effectuer le nettoyage du détecteur flamme (fig. 12, page 5).
- Vérifier si la consommation est correcte.
- Changer le gicleur, (fig. 14, page 7) et contrôler si les électrodes sont placées correctement (fig. 15, page 7).
- Nettoyer la tête de combustion (*l'orifice de sortie du combustible sur l'accroche-flamme*).
- Laisser fonctionner le brûleur à plein régime pendant 10 minutes environ en contrôlant en 1^{ère} et 2^{ème} allure tous les paramètres indiqués dans ce manuel.
Après, effectuer une analyse de la combustion en vérifiant:
 - Température des fumées de la cheminée;
 - Le pourcentage de CO₂;
 - Contenu de CO (ppm);
 - L'indice d'opacité des fumées selon l'échelle de Bacharach.

6. PANNES / REMEDES

La liste ci-dessous donne un certain nombre de causes d'anomalies et leurs remèdes. Problèmes qui se traduisent par un fonctionnement anormal du brûleur.

Un défaut, dans la grande majorité des cas, se traduit par l'allumage du signal sur le bouton de réarmement manuel de la boîte de commande et de contrôle (3, fig. 1, page 1).

Quand celui-ci est allumé, une remise en marche est possible après avoir appuyé sur ce bouton; ceci fait, si l'allumage est normal, l'arrêt intempestif du brûleur est attribué à un problème occasionnel et, de toute façon sans danger.

Dans le cas contraire, si la mise en sécurité persiste, il y a lieu de se référer au tableau suivant.

PANNE	CAUSE POSSIBLE	REMEDE
Le led sur la boîte de contrôle est éteint et le brûleur ne démarre pas.	Absence d'alimentation électrique.	Vérifier la tension au bornier L1 - N de la fiche à 7 pôles.
		Vérifier les fusibles.
	Les branchements de la boîte de contrôle ne sont pas corrects.	Vérifier que le thermostat de sécurité ne soit pas intervenu.
		Contrôler et vérifier tous les contacts.
Led vert allumé et le brûleur reste dans la phase de prévention continue.	Le détecteur flamme est éclairée par une source lumineuse externe.	Supprimer cette source lumineuse.
Le brûleur exécute normalement les cycles de prévention et d'allumage et se met en sécurité après 5s (env.).	Le détecteur flamme est sale.	Le nettoyer.
	Le détecteur flamme est détériorée.	Le remplacer.
	Décrochage de flamme.	Contrôler la pression et le débit du combustible.
		Contrôler le débit d'air.
		Changer le gicleur.
Vérifier la bobine de l'électrovanne de 1 ^{ère} allure.		
Mise en marche du brûleur avec retard d'allumage.	Electrodes d'allumages mal réglées.	Le régler comme indiqué dans ce manuel.
	Débit d'air trop fort.	Les régler comme indiqué dans ce manuel.
	Gicleur sale ou détérioré.	Gicleur à changer.
Le brûleur reste toujours en 1^{ère} allure.	Thermostat 2 ^{ème} allure défectueux.	Contrôlez le thermostat et le connexions du retardateur.
	Fonctionnement défectueux du retardateur.	Contrôlez présence de tension (230V) aux extrémités de la bobine de la vanne magnétique de la 2 ^{ème} allure. Contrôlez les connexions et remplacer le retardateur s'il n'y a pas de tension (230V) aux extrémités de la bobine de la 2 ^{ème} allure.
Le brûleur se met toujours en 2^{ème} allure.	Thermostat 2 ^{ème} allure défectueux ou présence du pont sur la fiche à 4 pôles.	Contrôlez si, dans la fiche à 4 pôles le pont entre les bornes T6 et T8 (voir page 5) a été enlevé ou remplacer le thermostat.

AVERTISSEMENT

La responsabilité du constructeur est dérogée en cas d'utilisation non conforme, de mauvais réglage, et de non respect des instructions comprises dans ce manuel.

INHOUD

1. BESCHRIJVING BRANDER	1	4.2 Aangewezen verstuivers	6
1.1 Geleverd materiaal	1	4.3 Onderhoudspositie	7
2. TECHNISCHE GEGEVENS	2	4.4 Afstelling elektroden	7
2.1 Technische gegevens	2	4.5 Afstelling verbrandingskop	7
2.2 Afmetingen	2	4.6 Afstelling recirculatieleiding	8
2.3 Werkingsveld	2	4.7 Regeling van de luchtklep	8
3. INSTALLATIE	3	4.8 Pompdruk en luchtdebiet	8
3.1 Bevestiging op de ketel	3	4.9 Startprogramma van de brander	9
3.2 Hydraulische installatie	4	5. ONDERHOUD	9
3.3 Elektrische aansluitingen	5	6. DEFECTEN / OPLOSSINGEN	10
4. WERKING	6		
4.1 Regeling verbranding	6		

1. BESCHRIJVING BRANDER

Tweetrapsstookoliebrander met weinig milieubelastende emissies (Stikstofoxide NOx, Koolmonoxide CO en onverbrande koolwaterstoffen).

- De brander is conform de beschermingsgraad IP X0D (IP 40) volgens EN 60529.
- Brander met EG markering conform de EEG Richtlijnen: EMC 89/336/EEG, Laagspanning 73/23/EEG, Machines 98/37/EEG en Rendement 92/42/EEG.
- EG Certificaat: **0036 0247/99** conform 92/42/EEG.

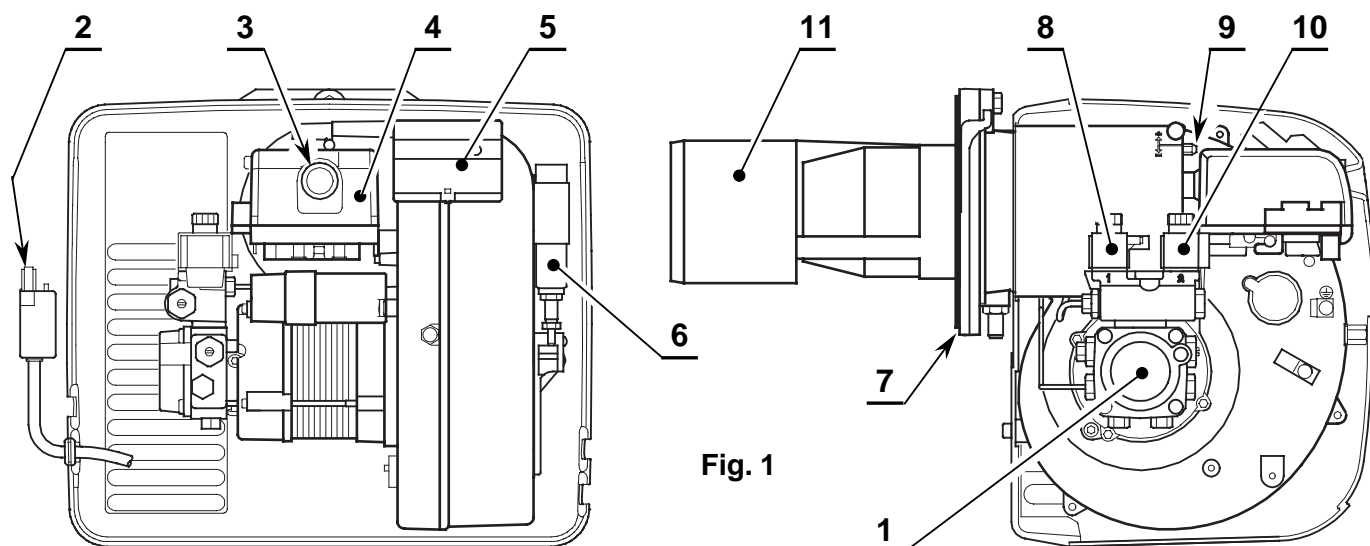


Fig. 1

D6074

- | | |
|--|------------------------------------|
| 1 – Oliepomp met drukvariator | 7 – Flensdichting |
| 2 – 4-polige vrouwelijke stekker | 8 – Klep 1 ^{ste} vlamgang |
| 3 – Ontgrendelingsknop met veiligheidssignalisatie | 9 – Regelschoef verbrandingskop |
| 4 – Bedienings- en controledoos | 10 – Klep 2 ^{de} vlamgang |
| 5 – Electronische vertrager | 11 – Recirculatieleiding |
| 6 – Vijzels | |

1.1 GELEVERD MATERIAAL

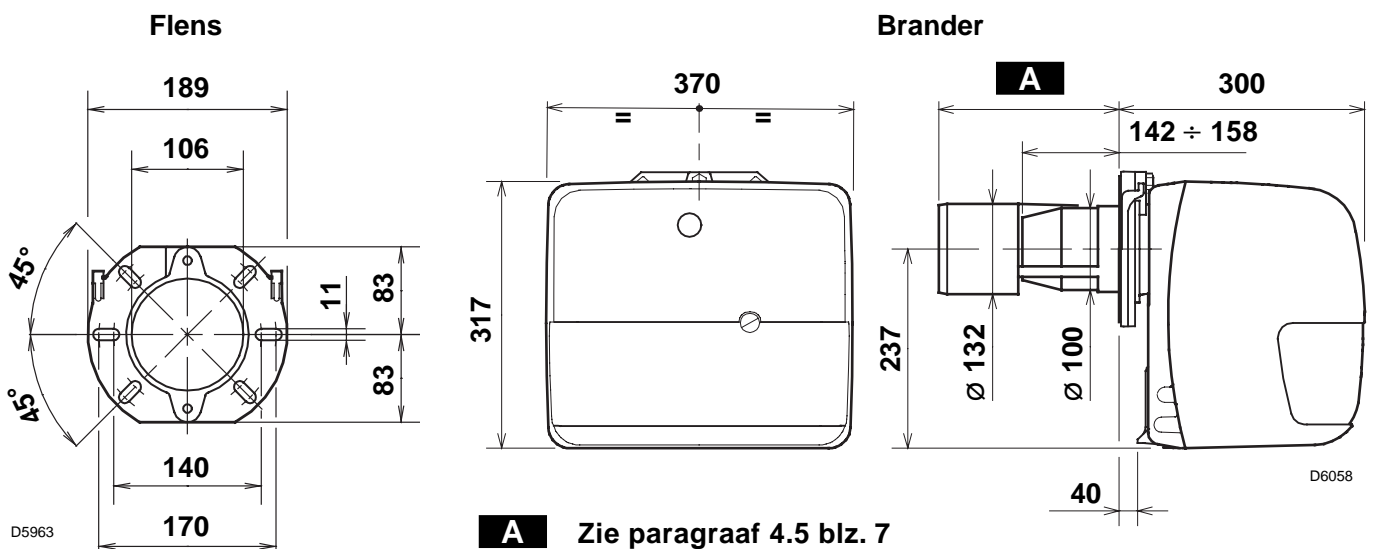
Flensdichting	N° 1	Schroeven & moeren voor bevestiging op ketel	N° 4
Schroef met moeren voor flens	N° 1	Flexibels met nippels	N° 2
Wartel	N° 1	Recirculatieleiding	N° 1
4-polige mannelijke stekker	N° 1	7-polige mannelijke stekker	N° 1
Flens voor ketel (alleen voor model 1R6)	N° 1		

2. TECHNISCHE GEGEVENS

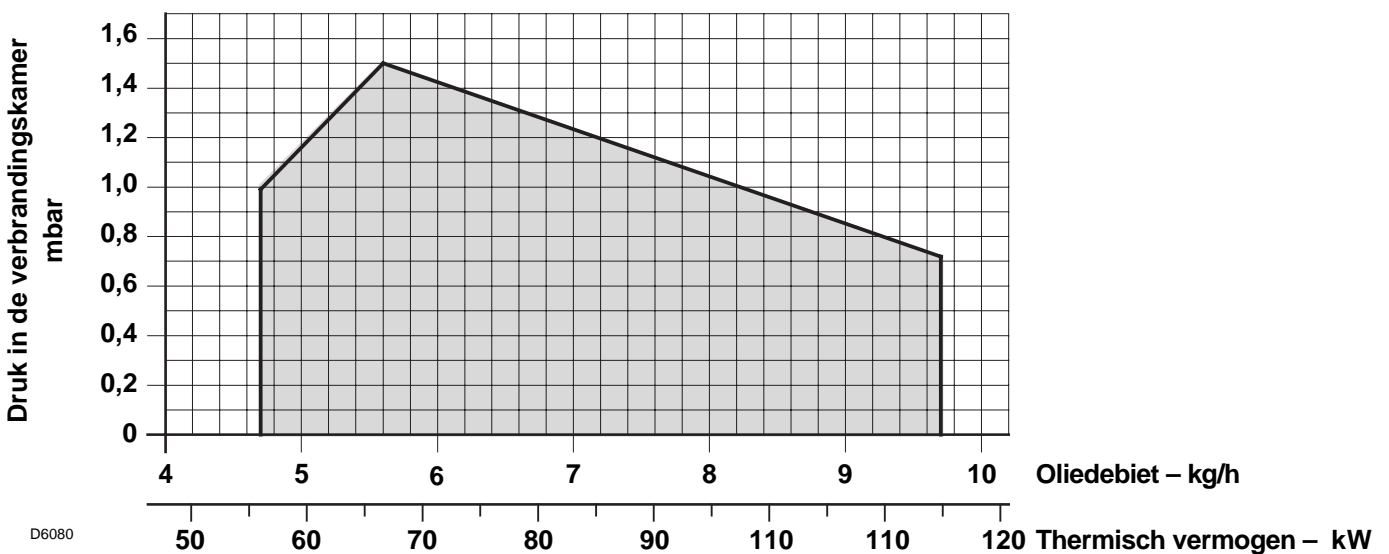
2.1 TECHNISCHE GEGEVENS

TYPE	419T
Oliedebiet – Thermisch vermogen	4,7/5,6 ÷ 9,7 kg/h – 55,7/66,4 ÷ 115 kW
Brandstof	Stookolie, viscositeit 4 ÷ 6 mm ² /s bij 20°C
Elektrische voeding	Monofasig, ~ 50Hz 230V ± 10%
Motor	Opgenomen stroom 1,5A – 2850 t/min – 298 rad/s
Condensator	6,3 µF
Ontstekingstransformator	Secundair 8 kV – 16 mA
Pomp	Druk: 7 ÷ 15 bar
Opgeslorpt vermogen	0,276 kW

2.2 AFMETINGEN



2.3 WERKINGSVELD (volgens EN 267)



3. INSTALLATIE

DE BRANDER MOET GEÏNSTALLEERD WORDEN VOLGENS DE PLAATSELIJK GELDENE WETTEN EN NORMEN.

3.1 BEVESTIGING OP DE KETEL

- Steek de recirculatieleiding (6) op zijn plaats in de flens (1) en blokkeer hem met de schroef (7), (zie fig. 2).
- Steek de schroef (9) en de twee moeren (10) in de flens (1), (zie fig. 3).
- Indien nodig, de gaten in de flensdichting (5, fig. 4) vergroten.
- Bevestig de flens (1) op de ketelplaat (4) met behulp van de schroeven (2) en (indien nodig) de moeren (3) en **voeg de flensdichting (5) ertussen**, (zie fig. 5).

Opgelet:

Als de opening in de ketel deur (4) kleiner is dan 110 mm, draai dan, alvorens de flens (1) aan de ketel te bevestigen, de drie schroeven (8) los en verwijder de vlampijp (6). Open de ketel deur (4), monteer de vlampijp (6) en blokkeer hem met de drie schroeven (8).

Fig. 2

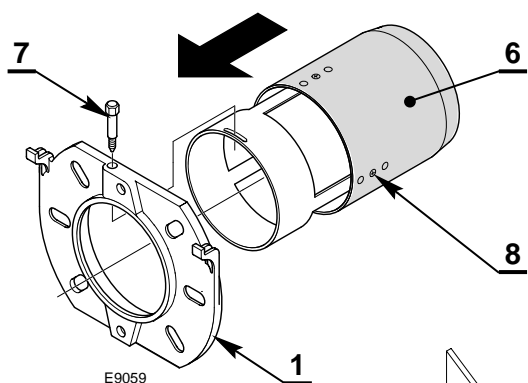


Fig. 3

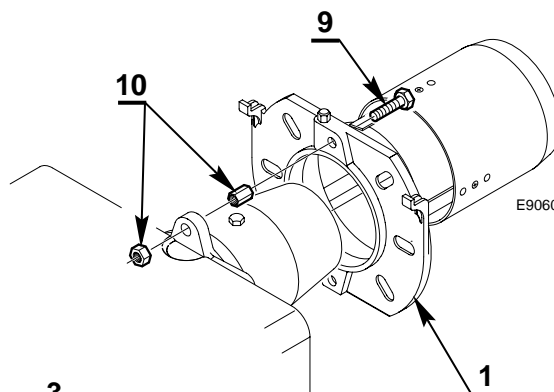


Fig. 5

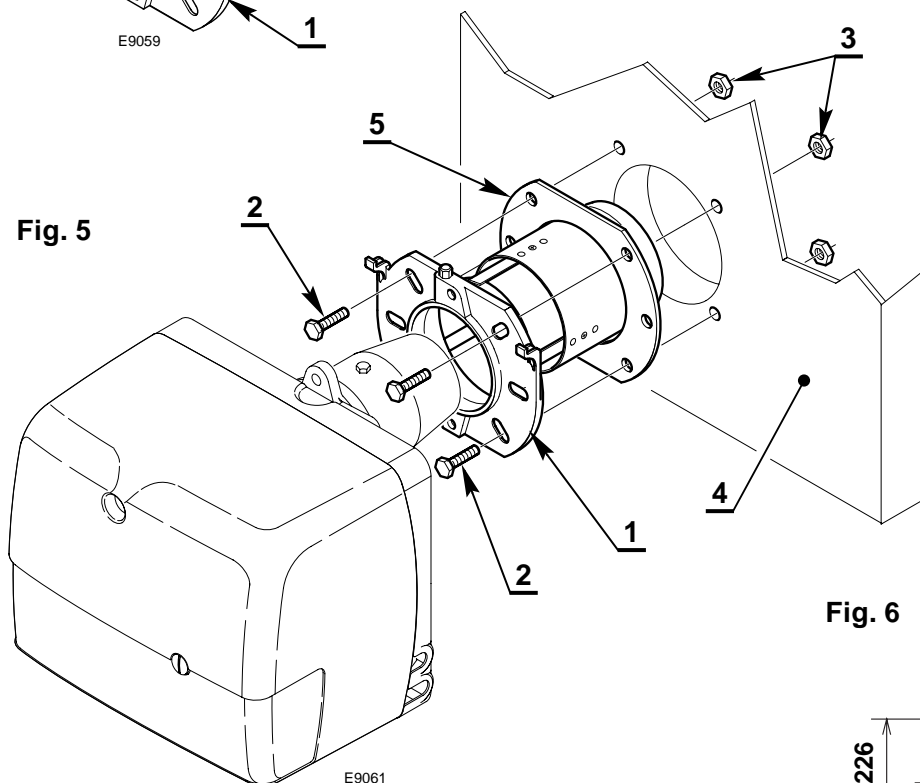


Fig. 4

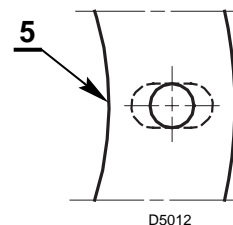
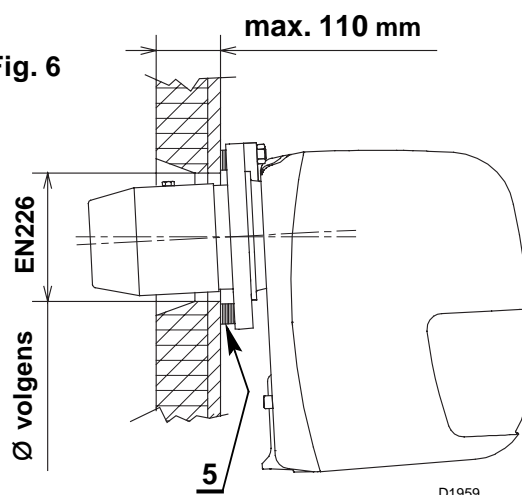


Fig. 6



OPGELET

Nadat de brander geïnstalleerd is moet hij iets geheld worden.

Hiertoe moet de flensdichting (5) met de dikste kant naar beneden gemonteerd worden (zie fig. 6).

3.2 HYDRAULISCHE INSTALLATIE

OPGELET:

- De toevoer van stookolie is langs beide kanten van de brander mogelijk.
- Het is noodzakelijk een filter te plaatsen op de voedingslijn van de brandstof.
- De pomp is voorzien voor een installatie met twee leidingen. Draai bij één leiding de moer van de terugloopleiding (2) los, verwijder de by-pass schroef (3) en draai de dop (2) opnieuw aan, (zie fig. 7).
- Alvorens de brander op te starten, controleer of de terugloopleiding niet verstopt is. Daardoor zou immers de dichting van de pomp beschadigd kunnen worden.

INSTALLATIE MET ÉÉN LEIDING (VERBODEN IN DUITSLAND)

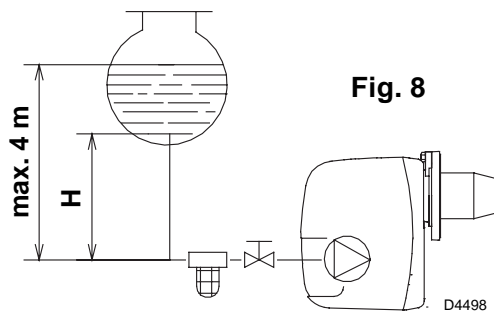
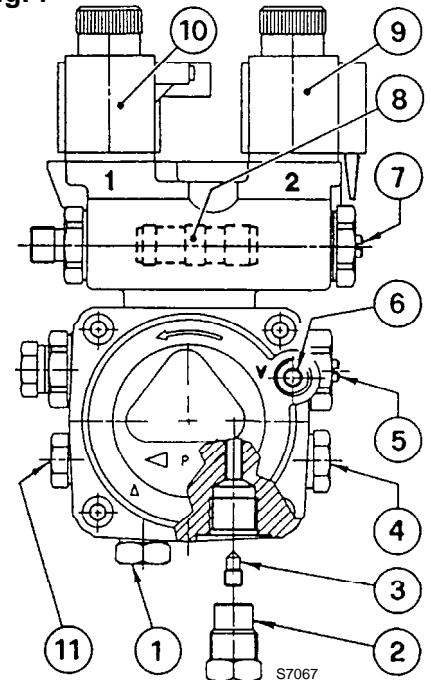


Fig. 8

H meter	L meter	
	ø i 8 mm	ø i 10 mm
0,5	10	20
1	20	40
1,5	40	80
2	60	100

- 1 - Aanzuigleiding
- 2 - Terugloopleiding
- 3 - By-pass schroef
- 4 - Manometeransluiting
- 5 - Drukregelaar 2de vlamgang

Fig. 7



- 6 - Vacuümteeraansluiting
- 7 - Drukregelaar 1ste vlamgang
- 8 - Zuiger drukvariator
- 9 - Klep 2de vlamgang
- 10 - Klep 1ste vlamgang
- 11 - Hulpdrukmeetpunt

AANZUIGING VAN DE POMP:

Bij een installatie zoals in fig. 8, de vacuümteeraansluiting (6, fig. 7) losdraaien tot er brandstof ontsnapt.

Bij een installatie zoals in fig. 9 en 10, de brander in werking stellen en de aanzuiging afwachten. Als de brander in veiligheid gaat (vergrendelt) voor er brandstof wordt toegevoerd, dient u min. 20 sec. te wachten alvorens de operatie te herhalen.

Overschrijdt een max. onderdruk van 0,4 bar (30 cm Hg) niet. Boven die waarde ontsnapt het gas van de brandstof. De leidingen moeten volledig luchtdicht zijn.

Bij een installatie in onderdruk (fig. 10), dienen de aanzuig- en terugloopleiding zich op dezelfde hoogte te bevinden. In dat geval is een voetklep overbodig. Bij een niveauverschil tussen beide leidingen is een voetklep noodzakelijk. Deze tweede oplossing biedt echter minder zekerheid omdat de dichtheid van de voetklep eventueel ontoereikend kan zijn.

H meter	L meter	
	ø i 8 mm	ø i 10 mm
0	35	100
0,5	30	100
1	25	100
1,5	20	90
2	15	70
3	8	30
3,5	6	20

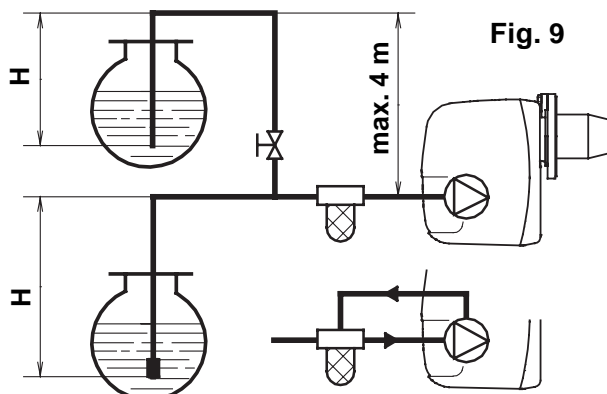


Fig. 9

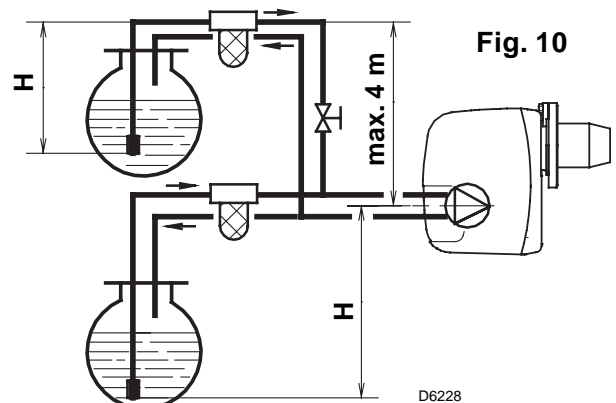


Fig. 10

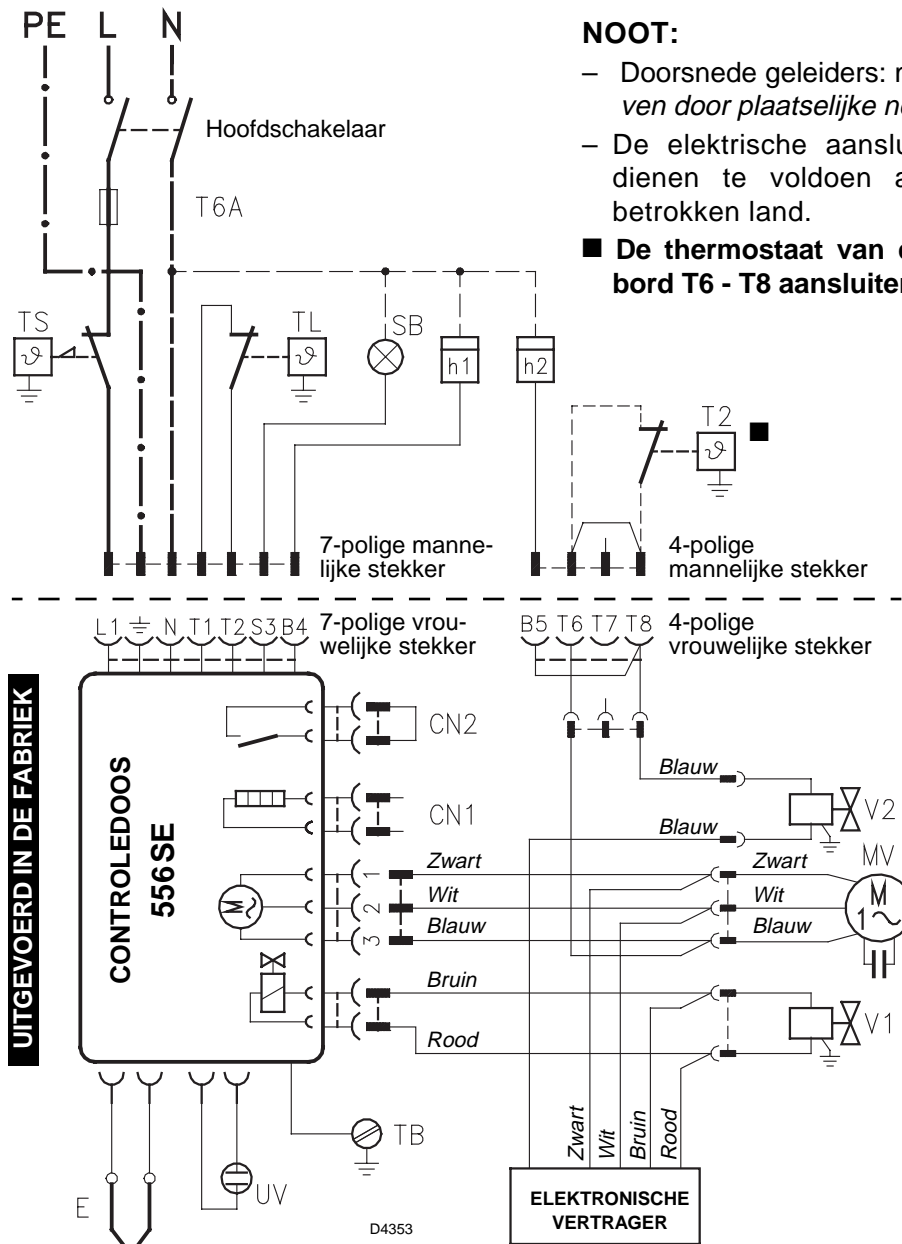
H = Niveauverschil;

L = Max. lengte aanzuigleiding;

ø i = Binnendiameter leiding.

3.3 ELEKTRISCHE AANSLUITINGEN

~ 50Hz 230V

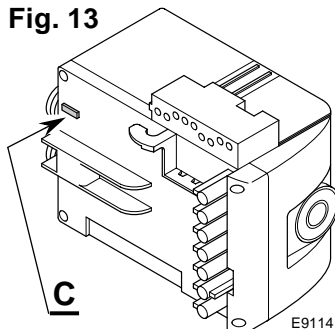


UITGEVOERD IN DE FABRIEK

- C Condensator
- E Ontstekingselectroden
- UV Fotoweerstand
- MV Motor
- h1 Urenteller 1ste vlamgang (230V - 0,1A max.)
- h2 Urenteller 2de vlamgang (230V - 0,1A max.)

- SB Uitwendige veiligheidssignalisatie (230V - 0,5A max.)
- T2 Thermostaat 2de vlamgang
- TB Aarding brander
- TL Limietthermostaat
- TS Veiligheidsthermostaat
- V1 Olieklep 1ste vlamgang
- V2 Olieklep 2de vlamgang
- CN1 Beschermblokje
- CN2 Kortsluitcontactpunt

Fig. 13



Bij branders die in heteluchtka-chels geïnstalleerd zijn, de brug (C, fig. 13) van de controledoos verwijderen.

ATTENZIONE NON SCAMBIARE IL NEUTRO CON LA FASE

NOOT:

- Doorsnede geleiders: min. 1 mm². (Mits anders voorgeschreven door plaatselijke normen en wetten).
- De elektrische aansluitingen die de installateur uitvoert dienen te voldoen aan de wetgeving terzake in het betrokken land.
- De thermostaat van de 2de vlamgang op het klemmenbord T6 - T8 aansluiten, na verwijdering van de brug.

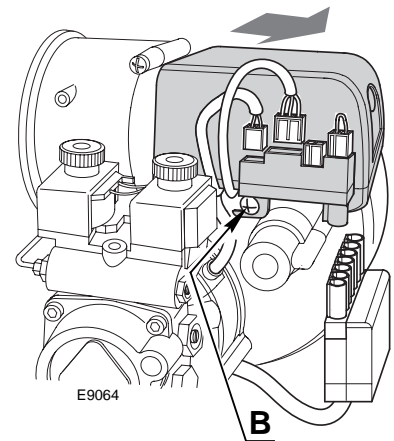
CHECK-UP

Controleer de branderstop bij opening van de thermostaten.

CONTROLEDOOS

Om de controledoos van de brander te verwijderen, schroef (B, fig. 11) losdraaien en in de richting van de pijl trekken nadat u alle componenten, de 7-polige mannelijke stekker en de aarding ontkoppeld heeft.

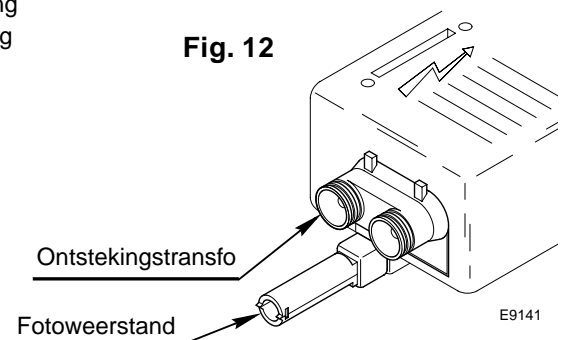
Fig. 11



TOEGANKELIJKHEID VAN DE FOTOWERSTAND (zie fig. 12)

De fotoweerstand is rechtstreeks op de controledoos gemonteerd (onder de ontstekingstransfo) op een houder met stekkerkoppeling.

Fig. 12



4. WERKING

4.1 REGELING VERBRANDING

Conform de Richtlijn Rendement 92/42/EEG, moeten de montage van de brander op de ketel, de regeling en de testen worden uitgevoerd volgens de handleiding van de ketel. Hieronder valt ook de controle van de CO en CO₂ in de rookgassen, de temperatuur van de rookgassen en de gemiddelde temperatuur van het water van de ketel.

In functie van het nodige ketelvermogen, worden de verstuiver, de pompdruk en de regeling van de luchtklep bepaald volgens de tabel hieronder.

De in de tabel vermelde waarden zijn verkregen op SIME ketels (volgens EN267). Ze hebben betrekking op 13% CO₂, op zeeniveau en met temperatuur van de omgeving en van de stookolie op 20 °C.

De brander verlaat de fabriek met instelling voor combinatie met Rondò-Estelle 7.

KETEL	BRANDER		Verstuiver		Pompdruk		Brander debiet		Regeling kop	Regeling luchtklep	
	Code	Model	GPH	Hoek	1ste	2de	1ste	2de		Merk-teken	1ste
					bar		kg/h ± 4%		Merk-teken		Merk-teken
Rondò-Estelle 7	8099110	BLUE MACK 3	1,25	60° S	10	12,8	4,6	5,08	1	2,3	2,8
1R6			1,35	60° S	10	13,5	5,02	5,83	1	2,5	3,7
1R7			1,50	60° S	10	13,0	5,84	6,55	2	2,7	3,5
1R8			1,75	60° S	10	13,3	6,33	7,42	2	3	4,5
1R9			2,00	60° S	10	12,5	7,07	8,23	3,5	3,1	5,1
2R6			2,25	60° S	9	13,0	7,8	9,56	4,0	3	8,0

BELANGRIJK:

Bij gebruik van Danfoss 60° H verstuivers worden de beste emissiewaarden verkregen.

Er wordt aangeraden Danfoss 60° S verstuivers te gebruiken zodat de brander langer betrouwbaar werkt.

INDICATIEVE AFSTELLING VOOR INSTALLATIE OP ANDERE KETELS

De in de tabel vermelde waarden zijn verkregen op CEN ketels (volgens EN267). Ze hebben betrekking op 13% CO₂, op zeeniveau en met temperatuur van de omgeving en van de stookolie op 20 °C.

Verstuiver		Pompdruk		Brander debiet		Regeling kop	Regeling luchtklep	
GPH	Hoek	1ste	2de	1ste	2de		1ste	2de
		bar		kg/h ± 4%		Merkteken	Merkteken	Merkteken
1,25	60°	9	14	4,3	5,4	1	2,1	2,7
1,35	60°	9	14	4,7	5,9	1,5	2,3	2,9
1,50	60°	9	14	5,2	6,5	2,5	2,5	3,2
1,75	60°	9	14	6,1	7,6	3	2,7	3,4
2,00	60°	9	14	7,0	8,7	4,5	2,8	4,5
2,25	60°	9	14	7,8	9,8	6	3	5,3

4.2 AANGEWEZEN VERSTUIVERS

Delavan type W ; Steinen type H;

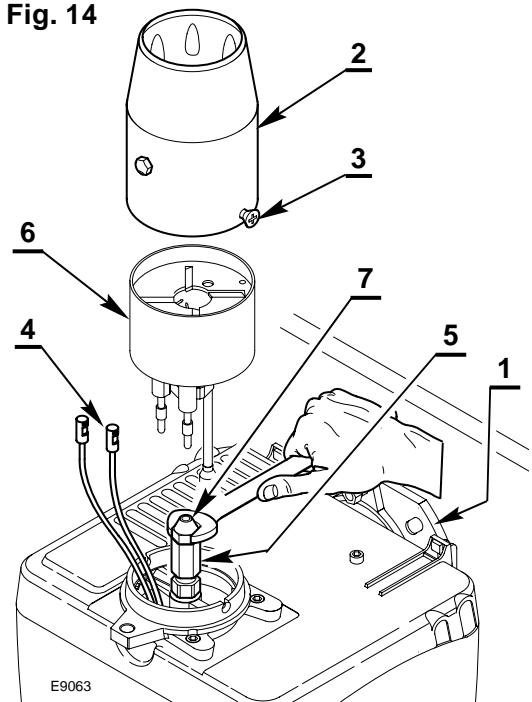
Danfoss type S - H ; Fluidics type S - H

4.3 ONDERHOUDSPOSITIE

Toegankelijkheid van de verbrandingskop, de turbulator, de elektroden en de verstuiver, (zie fig. 14).

- Verwijder de brander uit de ketel na de moer ter bevestiging aan de flens verwijderd te hebben.
- Haak de brander aan de flens (1), verwijder de verbrandingskop (2) na de schroeven (3) los gedraaid te hebben.
- Trek de draden (4) van de elektroden, de turbulator (6) van de verstuiverhouder (5) na de schroef (3, fig. 15) los gedraaid te hebben.
- Draai de verstuiver (7) aan.
- Monteer alles weer door in omgekeerde volgorde te werk te gaan.

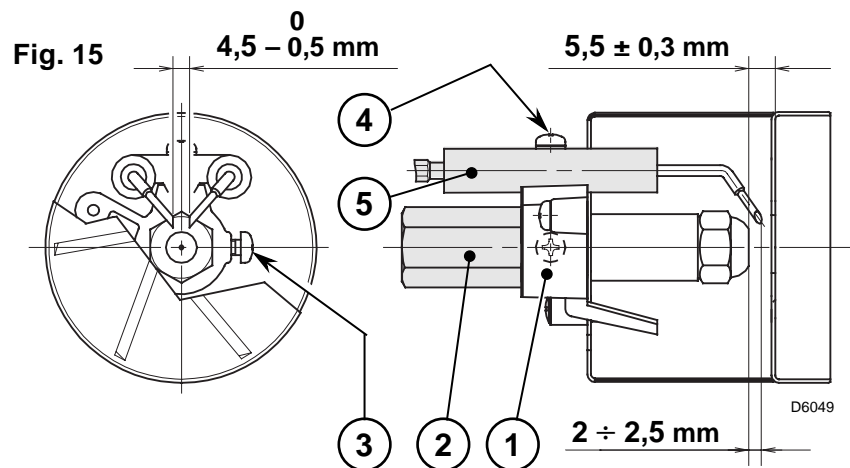
Fig. 14



4.4 AFSTELLING ELECTRODEN, (zie fig. 15)

Plaats de turbulator (1) tegen de sproeiholder (2) en blokkeren met de schroef (3).

Voor eventuele regelingen de schroef (4) losdraaien en het elektrodensysteem (5) verplaatsen.



OPGELET

DE JUISTE MAAT RESPEKTEREN

4.5 REGELING VERBRANDINGSKOP

(zie fig. 16 en 17)

Dit moet bij de montage van de verstuiver gedaan worden, met gedemonteerde branderkop. Deze regeling hangt af van het branderdebit en wordt uitgevoerd door de regelstang te draaien totdat het buitenste vlak van de branderkop overeenkomt met het in de tabel weergegeven streepje.

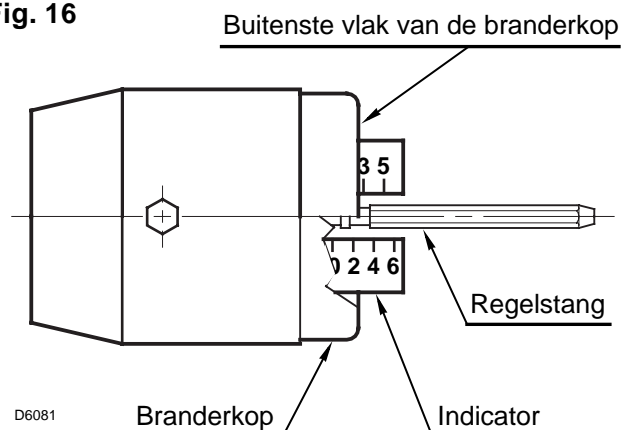
Voorbeeld:

In de schets van fig. 16 is de kop afgesteld voor een debiet van 1,50 GPH bij 14 bar.

Het streepje 2,5 van de indicator komt overeen met het buitenste vlak van de branderkop zoals in de tabel is weergegeven.

De in de tabel weergegeven afstellingen van de kop zijn in het algemeen goed. De aanpassing van het debiet van de ventilator aan de installatie gebeurt gewoonlijk alleen met de luchtklep. Als dit later eventueel gecorrigeerd moet worden met werkende brander, ook de regeling van de kop, gebruik dan de stang (1) met niet verstelbare sleutel (2).

Fig. 16



NAAR RECHTS DRAAIEN: (+ teken)

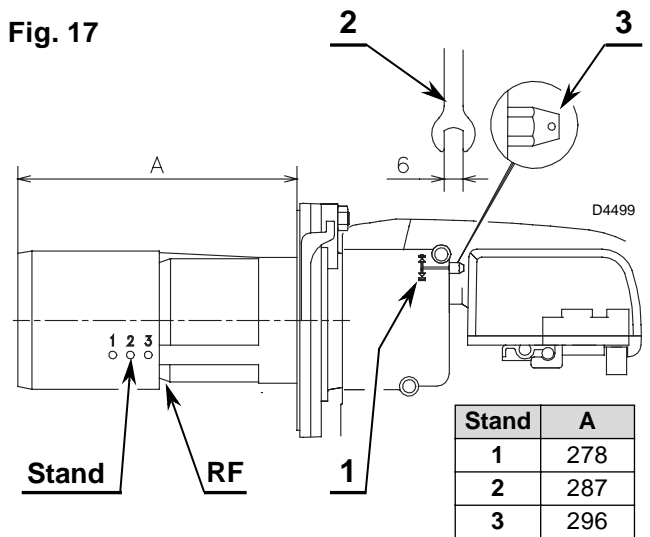
Om de hoeveelheid in de verbrandingskamer gevoerde lucht te vergroten en zijn druk te verlagen. De CO₂ vermindert en de vlamhaking aan de vlamhaker verbetert. (Aangeraden regeling voor ontstekingen bij lage temperaturen).

NAAR LINKS DRAAIEN: (- teken)

Om de hoeveelheid in de verbrandingskamer gevoerde lucht te verkleinen en zijn druk te verhogen. De CO₂ verbetert en de vlamhaking vermindert. (Aangeraden regeling voor ontstekingen bij lage temperaturen).

Verplaats in geen geval de regeling van de kop verder dan het in de tabel vermelde streepje. Eén streepje komt overeen met drie omwentelingen van de stang. Door de opening (3) in het uiteinde wordt het tellen van de omwentelingen vergemakkelijkt.

Fig. 17



4.6 REGELING RECIRCULATIELEIDING, (zie fig. 17)

De brander verlaat de fabriek met de recirculatieleiding in **Stand 2**.

Indien nodig, kunt u, om de verbranding te optimaliseren, de vlampijp plaatsen naar de geometrie van de verbrandingskamer volgens de tabel. Het is van belang dat er altijd een voldoende grote verbrandingskamer is voor de recirculatie van de rookgassen (let op de dikte van de ketel deur).

Gewoonlijk neemt de stabiliteit van de verbranding toe als de doorsnede van de rookgasrecirculatie (RF) afneemt maar dan nemen ook de NO_x emissies toe.

4.7 REGELING VAN DE LUCHTKLEP

De regelingen die in de tabel zijn weergegeven zijn van toepassing op een brander met gemonteerde branderkap en met een onderdruk in de verbrandingskamer nul. Ze zijn louter indicatief.

Elke installatie heeft haar eigen werkingsvoorwaarden die men niet op voorhand kan bepalen: het effectief debiet van de verstuiver, druk of onderdruk in de verbrandingskamer, teveel lucht enz.

Al die voorwaarden kunnen een andere regeling van de luchtklep vereisen.

Houd er rekening mee dat de aangeblazen lucht van de ventilator verschilt naar gelang de kap van de brander al dan niet gemonteerd is. Men moet dus als volgt te werk gaan:

- De luchtklep regelen zoals in de tabel op blz. 6 is aangegeven.
- De kap monteren.
- De Bacharach en de CO₂ controleren.
- Indien het nodig is het luchtdebiet te veranderen, de schroef van de kap losdraaien, de kap wegnemen, de luchtklep regelen, opnieuw de kap monteren en de Bacharach opnieuw controleren.

4.8 POMPDRUK EN LUCHTDEBIET, (zie fig. 18 en 19)

De brander is voorzien van een hydraulisch element, bestuurd door de elektronische vertrager, dat het brandstof- en het luchtdebiet verlaagt tot ongeveer 70% van het maximum debiet.

REGELING 1ste VLAMGANG

Regeling luchtklep

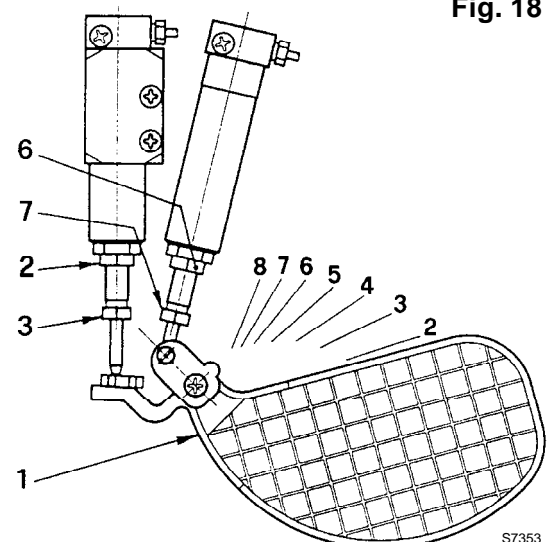
De moer (2) losdraaien en inwerken op de schroef (3) tot u de luchtklep (1) in de juiste stand hebt gebracht.

Daarna de moer (2) opnieuw vastdraaien.

Regeling oliedruk

Fabrieksinstelling op 9 bar. Indien de druk moet aangepast worden of opnieuw moet worden ingesteld, volstaat het in te werken op de schroef (4). De manometer voor controle van de druk wordt gemonteerd op de plaats van de dop (5).

Fig. 18



REGELING 2de VLAMGANG

Regeling luchtklep

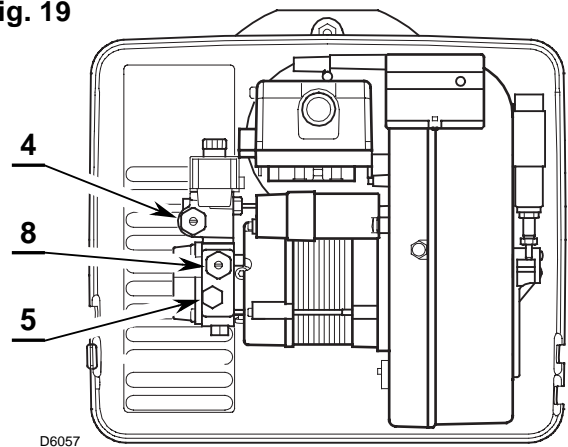
De moer (6) losdraaien en inwerken op de schroef (7) tot u de luchtklep (1) in de juiste stand hebt gebracht. Daarna de moer (6) opnieuw vastdraaien.

Regeling oliedruk

Fabrieksinstelling op 14 bar.

Indien de druk moet aangepast worden of opnieuw moet worden ingesteld, volstaat het in te werken op de schroef (8). De manometer voor controle van de druk wordt gemonteerd op de plaats van de dop (5).

Fig. 19



4.9 STARTPROGRAMMA VAN DE BRANDER



E Aangeduid door de LED (controlelamp) op de bedienings- en controledoos (3, fig. 1, blz. 1).

5. ONDERHOUD

De brander moet regelmatig door vaklui worden onderhouden **en in overeenstemming met de plaatselijke wetten en normen.**

Onderhoud is noodzakelijk om een goede werking van de brander te verzekeren, om uitermate hoog brandstofverbruik en dus hoge milieubelastende emissies te vermijden.

Alvorens de brander te reinigen of te controleren, sluit de elektrische voeding af door op de hoofdschakelaar te drukken.

BELANGRIJKSTE ONDERHOUDSTAKEN:

- Controleer of de aanzuig- en/of terugloopleiding niet verstopt of in slechte staat zijn.
- Reinig de filter op de aanzuigleiding (van brandstof) en de filter van de pomp.
- Reinig de fotowerstand (fig. 12, blz. 5).
- Kijk na of het brandstofverbruik normaal is.
- Vervang de verstuiver (fig. 14, blz. 7) en controleer of de elektroden goed geplaatst zijn (fig. 15, blz. 7).
- Reinig de branderkop de vlamhaker en de verstuiverlijn.
- Laat de brander gedurende een 10-tal minuten op vollast draaien waarbij u de juiste instellingen in 1ste en 2de vlamgang controleert, voor alle in deze handleiding opgegeven parameters:
 - Temperatuur verbrandingsgassen in de schouw;
 - Gehalte CO₂;
 - Gehalte CO (ppm);
 - Dichtheidsgraad van de verbrandingsgassen volgens de Bacharach-schaal.

6. DEFECTEN / OPLOSSINGEN

Hieronder vindt u een lijst met mogelijke defecten en oplossingen. Alle problemen geven aanleiding tot een abnormale werking van de brander. In de meeste gevallen gaat bij een probleem het lampje branden van de manuele herbewapeningsknop van de controle- en bedieningsdoos (3, fig. 1, blz. 1).

Als dat lampje brandt, kan de brander opnieuw worden opgestart door een eenvoudige druk op de knop. Is er een normale ontsteking dan kan deze onverwachte branderstop toegeschreven worden aan een occasioneel probleem. Indien de brander daarentegen opnieuw in veiligheid gaat (vergrendelt), gelieve de hieronder opgenomen tabel te raadplegen.

DEFECTEN	MOGELIJKE OORZAKEN	OPLOSSINGEN
De led op de controle-doos is uit en de brander ontsteekt niet.	Geen stroom.	Check de spanning aan de klemmen L1 – N van de 7-polige stekker.
		Check de zekeringen.
	De aansluitingen van de controle-doos zijn niet correct.	Controleer of de veiligheidsthermostaat niet vergrendeld is.
		Check alle aansluitingen.
Groene led aan en de brander blijft in voortdurende voorventilatie.	De fotoweerstand wordt door een externe lichtbron belicht.	De externe lichtbron verwijderen/ uitschakelen.
De brander doorloopt de fases van voorventilatie en ontsteking normaal maar vergrendelt na ± 5 s.	De fotoweerstand is vuil.	Reinigen.
	De fotoweerstand is beschadigd.	Vervangen.
	Afhaken van de vlam.	Druk en debiet van de brandstof checken.
		Luchtdebiet checken.
		Verstuiver vervangen.
		Bobijn van het electromagneetventiel van 1ste vlamgang checken.
De brander start maar met een vertraagde ontsteking.	Ontstekingselectroden slecht afgesteld.	Afstellen zoals opgegeven in deze handleiding.
	Te sterk luchtdebiet.	Afstellen zoals opgegeven in deze handleiding.
	Verstuiver vuil of beschadigd.	Vervangen.
De brander blijft in de 1ste vlamgang.	Thermostaat 2de vlamgang defect.	Thermostaat en verbindingen van de vertrager controleren.
	Geen goede werking van de vertrager.	Controleren of er spanning (230V) zit op het uiteinde van het bobijn van het electromagneetventiel van 2de vlamgang.
		Verbindingen van de vertrager controleren en eventueel vervangen indien er geen spanning (230V) zit op het uiteinde van het bobijn in 2de vlamgang.
De brander schakelt steeds naar 2de vlamgang over.	Thermostaat 2de vlamgang defect of de 4-polige stekker is overbrugd.	Controleren of de brug tussen de klemmen 6 en 8 van de 4-polige stekker (zie blz. 5) is verwijderd of de thermostaat vervangen.

WAARSCHUWING

De fabrikant is niet verantwoordelijk in geval van onconform gebruik, slechte afstelling en niet naleving van de aanwijzingen vervat in dit document.



Fonderie Sime S.p.A. - via Garbo, 27 - 37045 Legnago (Vr) - Italy

Tel. +39/0442 631111 - Export Division fax number +39/0442 631293 - Sime Service fax number +39/0442 631292